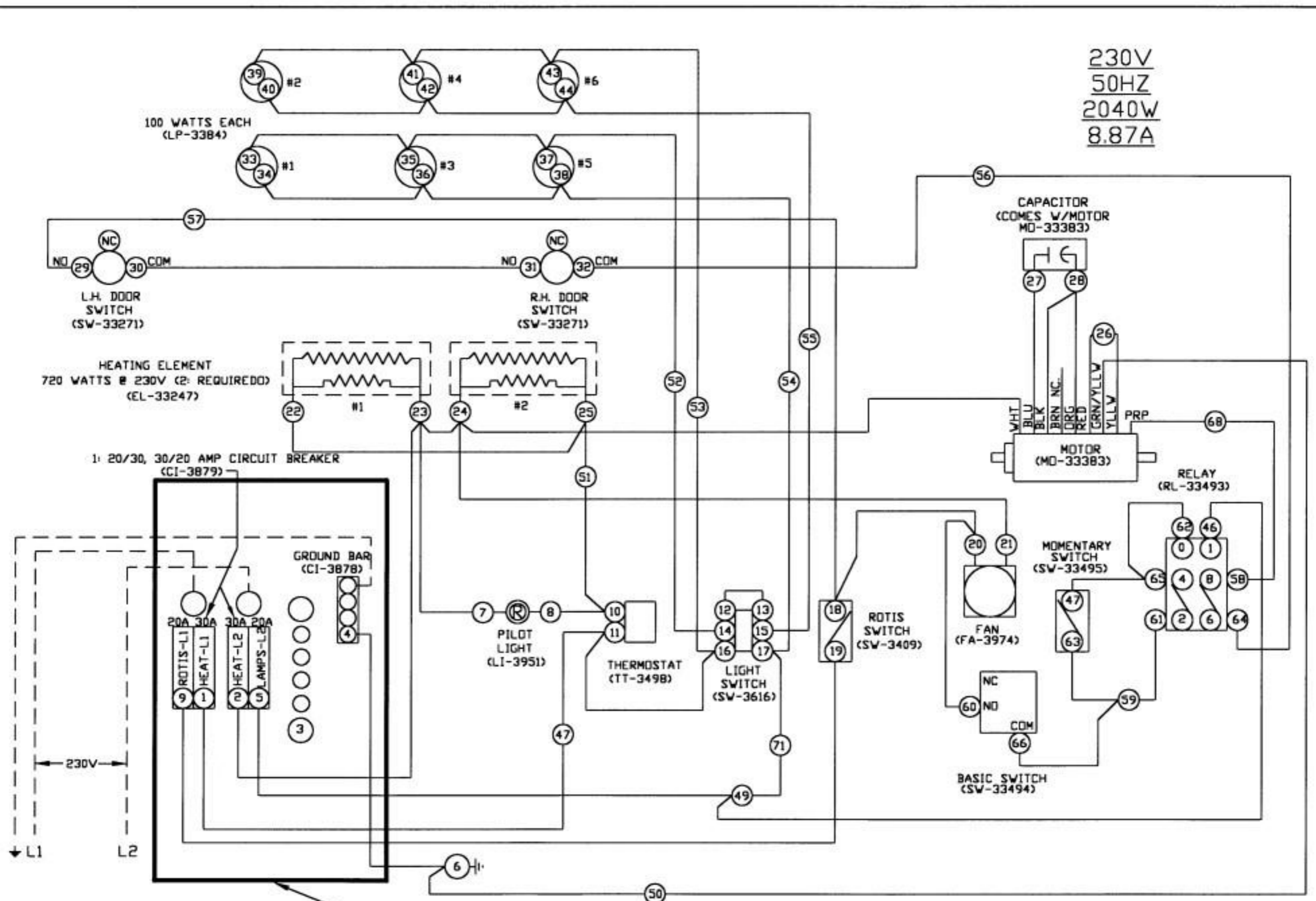


230V
50HZ
2040W
8.87A

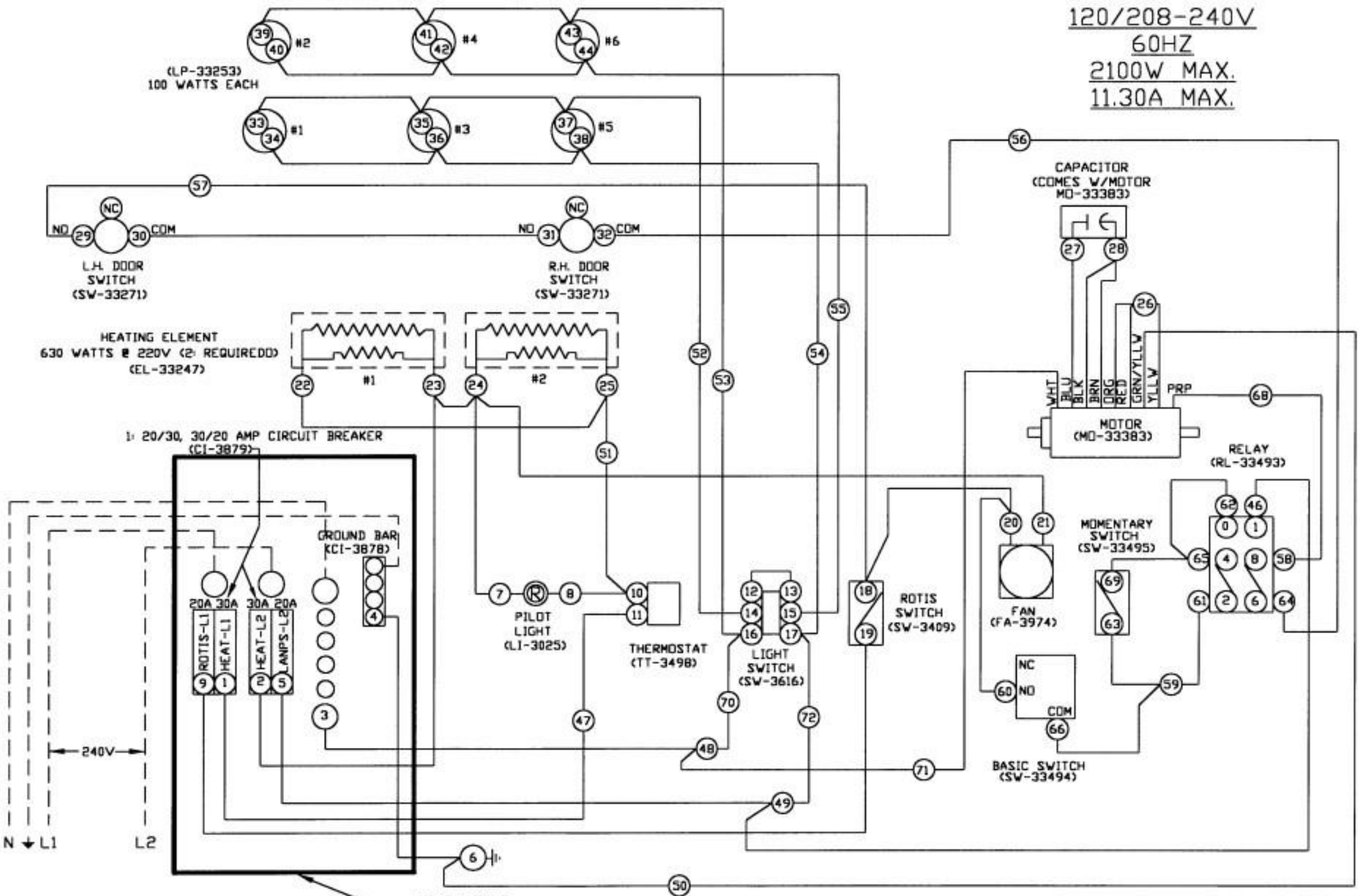


LOAD CENTER (CI-3877)
NOTE: DO NOT TIE NEUTRAL TO GROUND

NOTE 1: ALL NUMBERS IN () = ALTO-SHAAM PART NUMBERS.
NOTE 2: SEE DRAWING #B-8841 FOR WIRE ASSEMBLIES.

REVISIONS			TYSYS-30/RM	230V, 50HZ
NO.	DATE	BY	WIRING DIAGRAM	
1	03/30/98	RS	ALTO-SHAAM INC.	
2	02/09/99	JMM	MEMONEE FALLS, WISCONSIN	
3	03/02/99	JMM		
4	09/01/99	JMM	DRAWN BY RS	SCALE 1"=1" DWG. NO.
5		APP'D	MSM	DATE 02/02/98 A-7476

120/208-240V
60HZ
2100W MAX.
11.30A MAX.



LOAD CENTER
(CI-3877)
NOTE: DO NOT TIE
NEUTRAL TO GROUND

NOTE 1: ALL NUMBERS IN () = ALTO-SHAAM PART NUMBERS.
NOTE 2: SEE DRAWING #B-8840 FOR WIRE ASSEMBLIES.

REVISIONS			TYSYS-30/RM	120/208-240V,60HZ	
NO.	DATE	BY	WIRING DIAGRAM ALTO-SHAAM INC. MENOMONIE FALLS, WISCONSIN		
1	03/30/98	RS			
2	02/09/99	JMK			
3	09/01/99	JMK			
4			DRAWN BY RS	SCALE 1"=1"	DWG. NO.
5			APP'D MSH	DATE 02/08/98	A-7475

230V
50HZ
2040W
8.87A

100 WATTS EACH
(LP-3384)

HEATING ELEMENT
720 WATTS @ 230V (2 REQUIRED)
(EL-33247)

1: 20/30, 30/20 AMP CIRCUIT BREAKER
(CI-3879)

GROUND BAR
(CI-3878)

20A 30A 30A 20A
OPEN HEAT-L1 HEAT-L2 LAMPS-L2
1 2 3 4 5

PILOT LIGHT
(LI-3951)

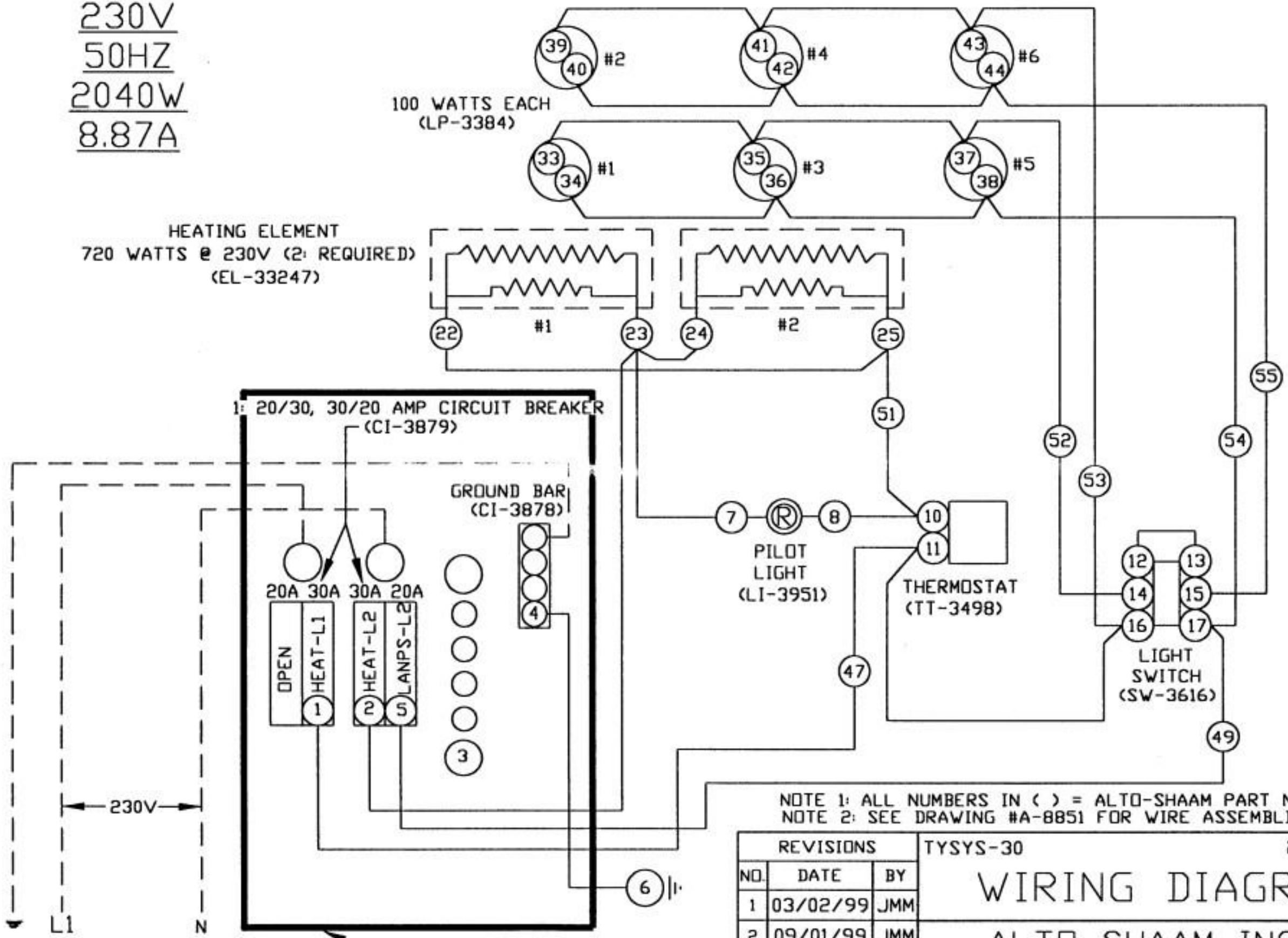
THERMOSTAT
(TT-3498)

LIGHT SWITCH
(SW-3616)

NOTE 1: ALL NUMBERS IN () = ALTO-SHAAM PART NUMBERS.
NOTE 2: SEE DRAWING #A-8851 FOR WIRE ASSEMBLIES.

REVISIONS			TYSYS-30		230V,50Hz							
NO.	DATE	BY	<p style="text-align: center;">WIRING DIAGRAM</p> <p style="text-align: center;">ALTO-SHAAM INC. MENOMONEE FALLS, WISCONSIN</p> <table border="1" style="width: 100%;"> <tr> <td>DRAWN BY RS</td> <td>SCALE NONE</td> <td>DWG. NO.</td> </tr> <tr> <td>APP'D MSM</td> <td>DATE 3/31/98</td> <td>A-7484</td> </tr> </table>				DRAWN BY RS	SCALE NONE	DWG. NO.	APP'D MSM	DATE 3/31/98	A-7484
DRAWN BY RS	SCALE NONE	DWG. NO.										
APP'D MSM	DATE 3/31/98	A-7484										
1	03/02/99	JMM										
2	09/01/99	JMM										
3												
4												
5												

LOAD CENTER (CI-3877)
NOTE: DO NOT TIE
NEUTRAL TO GROUND



120/208-240V

60HZ

2100W

11.25A

(LP-33592)
100 WATTS EACH

HEATING ELEMENT
750 WATTS @ 240V (2 REQUIRED)
(EL-33247)

1: 20/30, 30/20 AMP CIRCUIT BREAKER
(CI-3879)

GROUND BAR
(CI-3878)

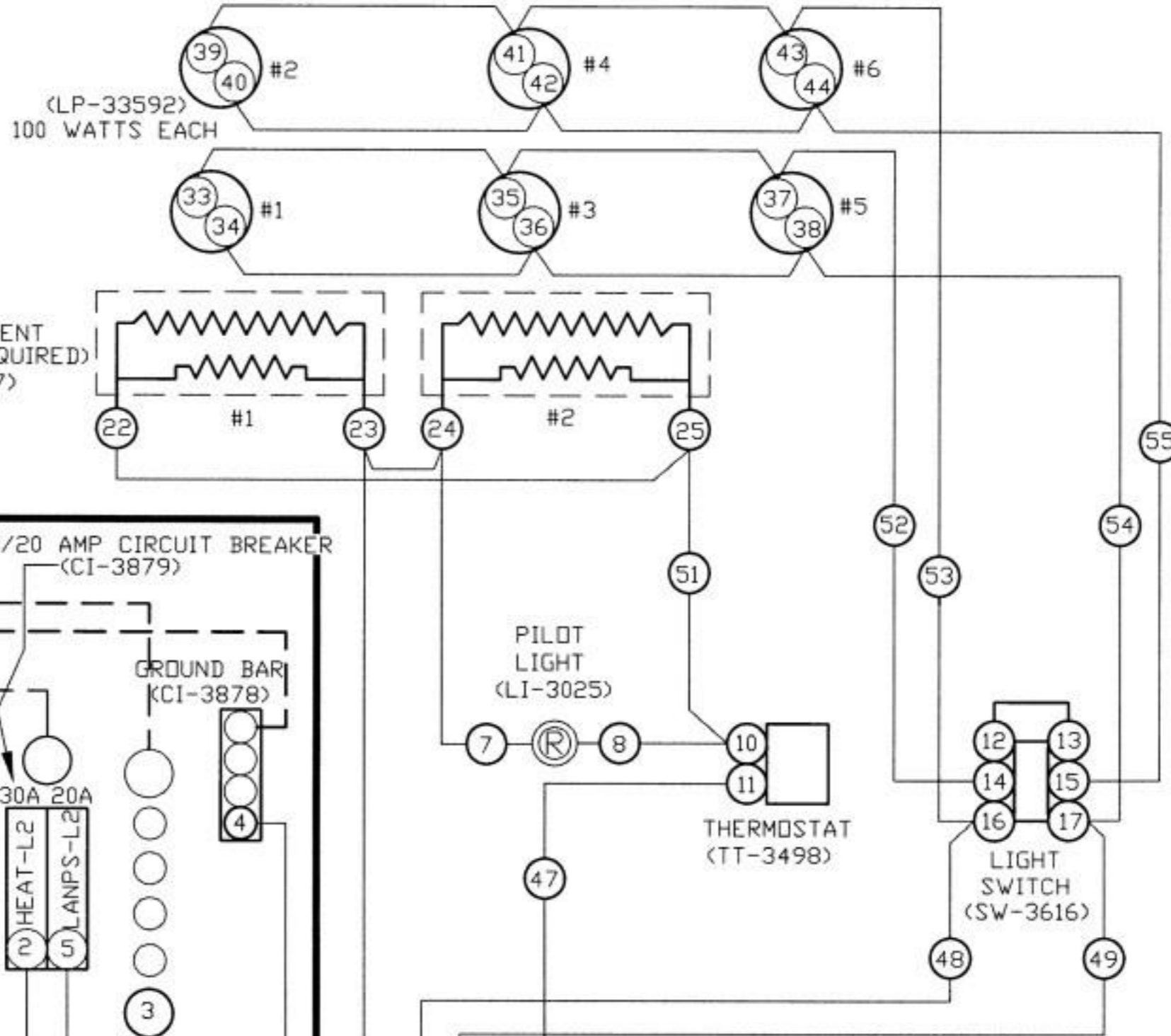
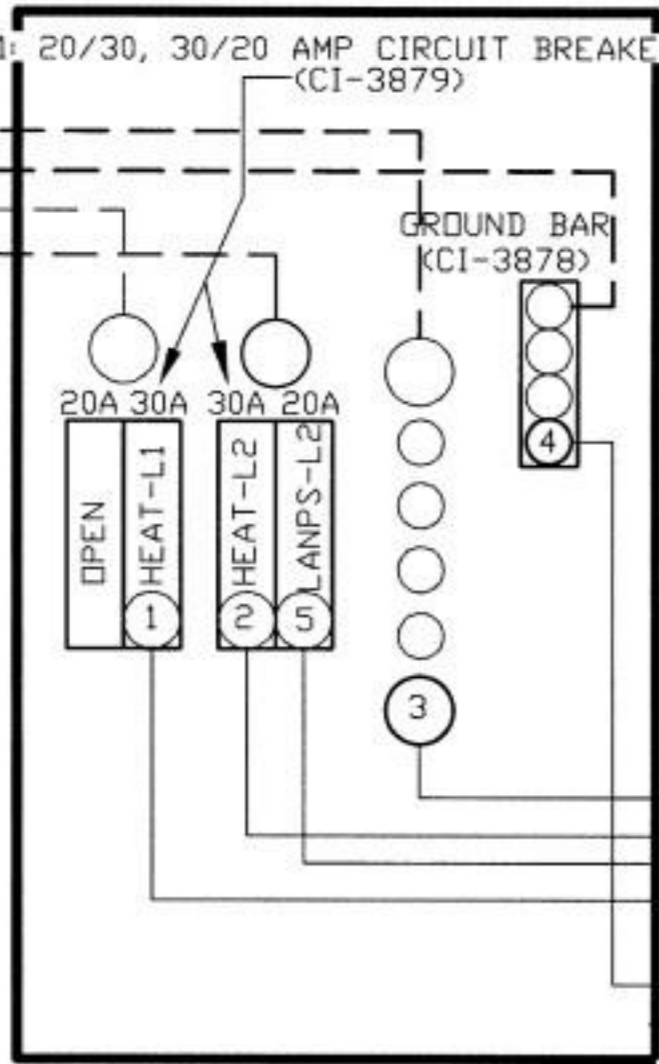
PILOT
LIGHT
(LI-3025)

THERMOSTAT
(TT-3498)

LIGHT
SWITCH
(SW-3616)

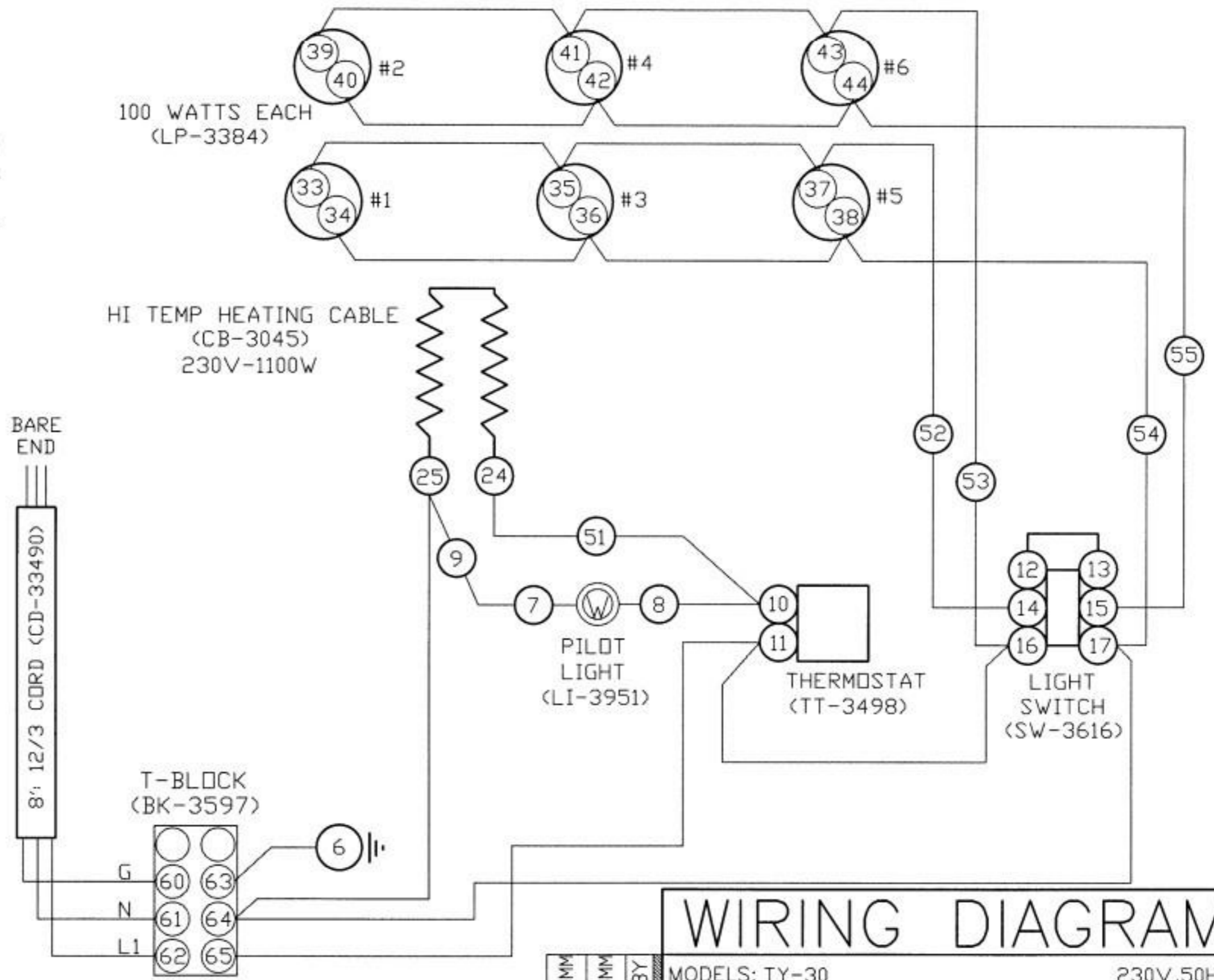
NOTE 1: ALL NUMBERS IN () = ALTO-SHAAM PART NUMBERS.
NOTE 2: SEE DRAWING # A-8850 FOR WIRE ASSEMBLIES.

LOAD CENTER
(CI-3877)
NOTE: DO NOT TIE
NEUTRAL TO GROUND



REVISIONS			TYSYS-30	120/208-240V, 60Hz			
NO.	DATE	BY	WIRING DIAGRAM				
1	09/01/99	JMM	ALTO-SHAAM INC. MENDMONEE FALLS, WISCONSIN				
2	01/15/01	NWW					
3							
4					DRAWN BY RS	SCALE NONE	DWG. NO.
5					APP'D DAR	DATE 3/31/98	A-7483

230V
50HZ
1700W
9.78A



NOTE 1: ALL NUMBERS IN () = ALTO-SHAAM PART NUMBERS.
NOTE 2: SEE DRAWING (A-8849) FOR WIRE ASSEMBLIES.

WIRING DIAGRAM

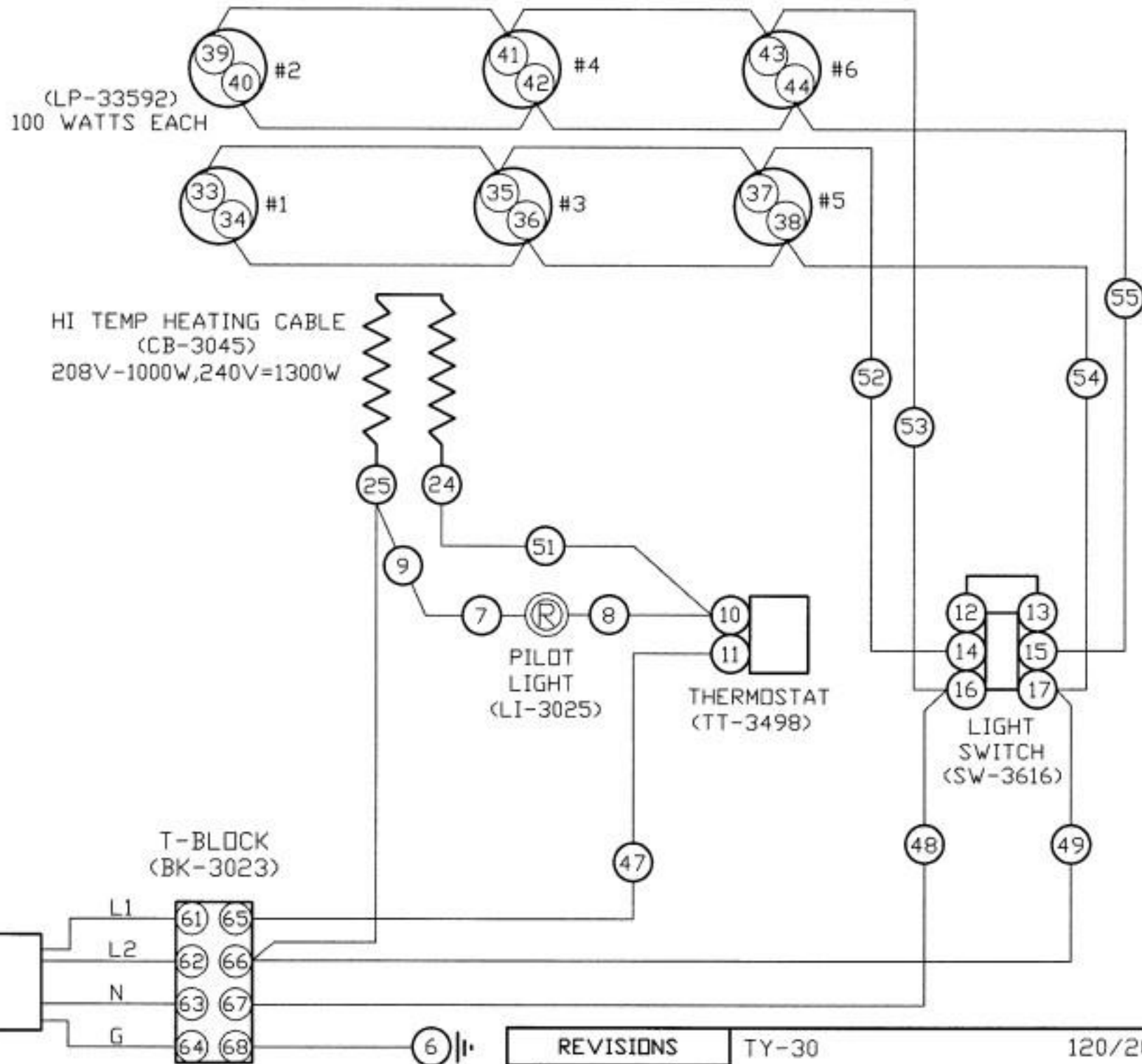
MODELS: TY-30 230V, 50HZ

ALTO-SHAAM
MENOMONEE FALLS, WISC. 53052-450

JMM	JMM	BY
03/29/99	03/02/99	REVISION
2	1	NO.

BY: JMM	SCALE: NONE	DWG: A-7482
APP'D: B.G.	DATE: 03/29/99	

120/208-240V
 60HZ
 1900W
 10.42A



NOTE 1: ALL NUMBERS IN () = ALTO-SHAAM PART NUMBERS.
 NOTE 2: SEE DRAWING # A-8848 FOR WIRE ASSEMBLIES.

REVISIONS			TY-30	120/208-240V, 60Hz	
NO.	DATE	BY	WIRING DIAGRAM		
1	03/29/99	JMM	ALTO-SHAAM INC. MENOMONEE FALLS, WISCONSIN		
2	01/15/01	NWW			
3					
4			DRAWN BY RS	SCALE NONE	DWG. NO.
5			APP'D DAR	DATE 3/31/98	A-7481