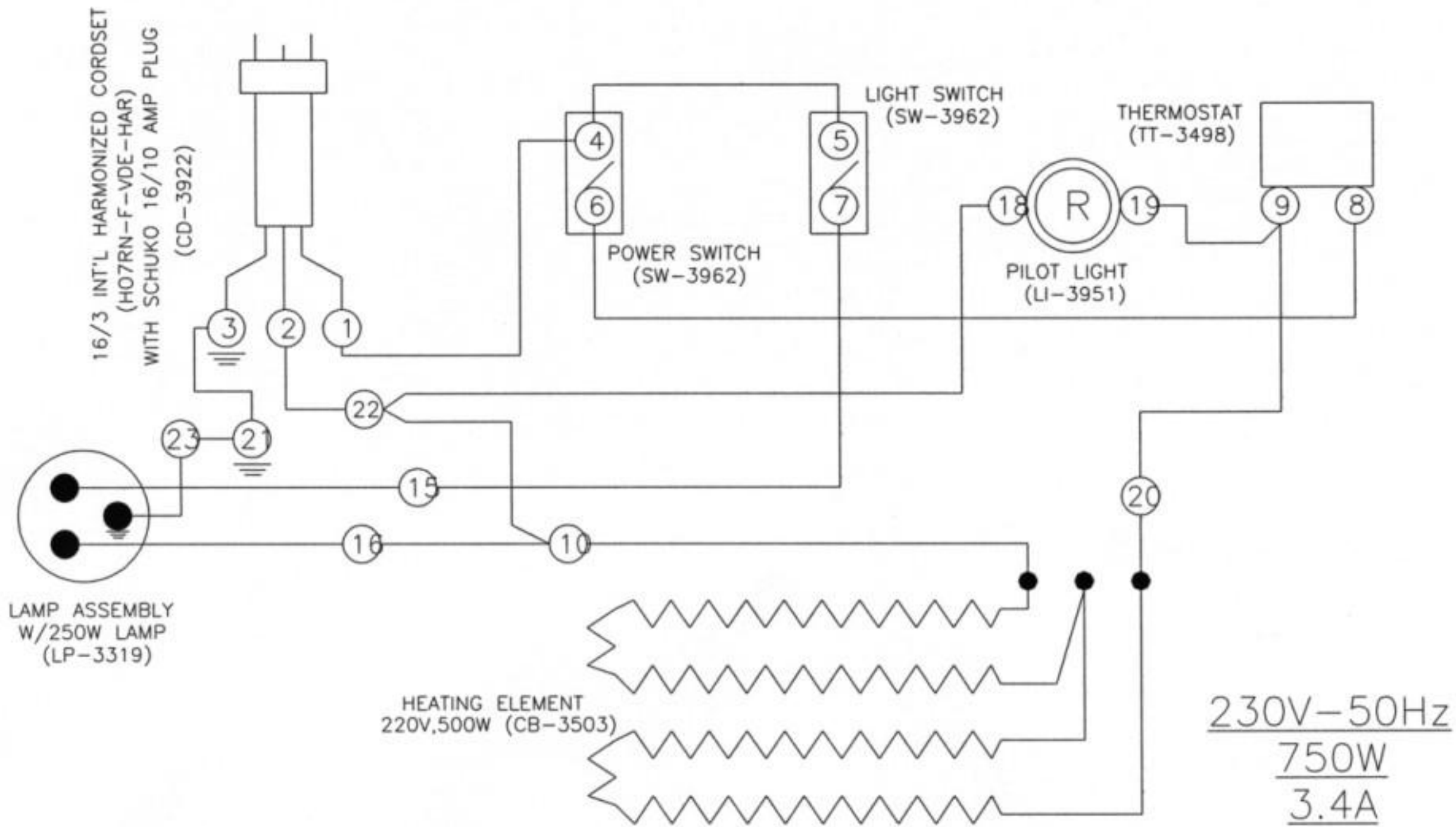


NOTE #1: ALL NUMBERS IN ( ) = ALTO-SHAAM PART NUMBERS

NOTE #2: SEE DRW. #B-8505 FOR WIRE ASSEMBLIES

REVISIONS			100-HSL/TM		(125V,60Hz)	
NO	DATE	BY				
1	03/06/86	LLN	WIRING DIAGRAM			
2	07/11/86	ALO				
3	11/25/97	RS				
			ALTO-SHAAM INC.		MENOMONEE FALLS, WISCONSIN	
4	07/18/02	DDF	DRAWN BY ALO	SCALE 1"=1"	DWG. NO.	
5	03/04/03	CJB	APP'D PED	DATE 7-2-85	A-7249	



NOTE #1: ALL NUMBERS IN ( ) = ALTO-SHAAM PART NUMBERS

NOTE #2: SEE DRW. #B-8506 FOR WIRE ASSEMBLIES

## WIRING DIAGRAM

MODELS: 100-HSL/TM, /TM/A

**ALTO-SHAAM.**

MENOMONEE FALLS, WISC. 53052-450

BY: ALO	SCALE: NONE	DWG: A-7250
APP'D: DDF	DATE: 07/03/85	

NO.	REVISION	BY
1	07/11/86	ALO
2	11/25/97	RS
3	07/18/02	DDF
4	02/27/03	DDF
5	05/22/03	CJB

16/3 INT'L HARMONIZED CORDSET  
(HD7RN-F-VDE-HAR)  
WITH SCHUKO 16/10 AMP PLUG  
(CD-3922)

LAMP ASSEMBLY  
W/250W,2300 LAMP  
(LP-33781)

HEATING ELEMENT  
220V,500W (CB-3503)

LIGHT SWITCH  
(SW-3409)

THERMOSTAT  
(TT-3498)

PILOT LIGHT  
(LI-3951)

230V-50Hz  
750W  
3.4A

NOTE #1: ALL NUMBERS IN ( ) = ALTO-SHAAM  
PART NUMBERS

NOTE #2: SEE DRW. #B-8506 FOR  
WIRE ASSEMBLIES

REVISIONS			100-HSL/TM MARINE		(230V,50Hz)					
NO.	DATE	BY								
1	03/05/03	CJB	<p style="text-align: center;">WIRING DIAGRAM</p> <p style="text-align: center;">ALTO-SHAAM INC.</p> <p style="text-align: center;">MENDOTA FALLS, WISCONSIN</p>							
2										
3										
4							DRAWN BY NW	SCALE 1"=1"	DWG. NO.	
5							APP'D DAR	DATE 10/05/01	A-7593	