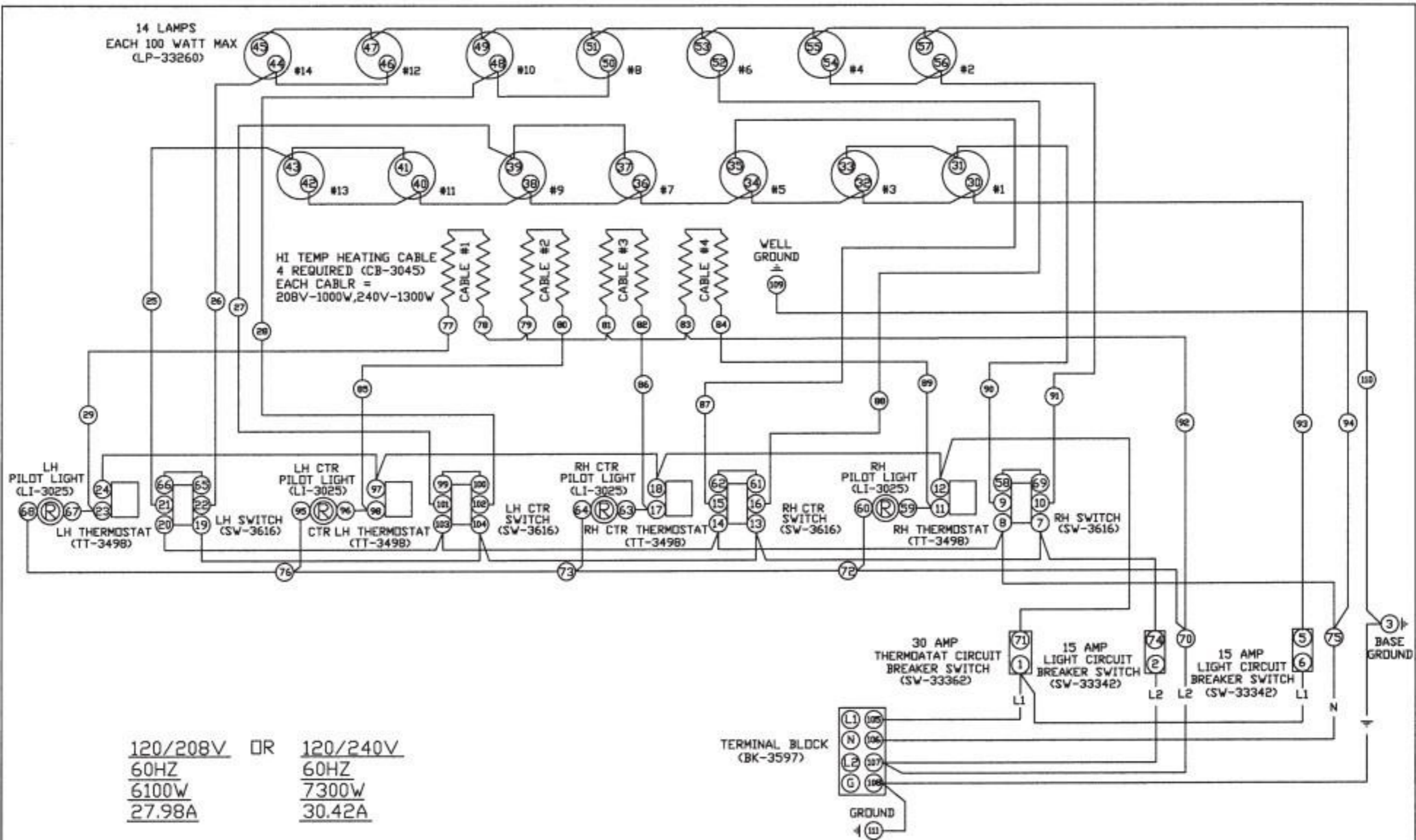


120/208V OR 120/240V
60HZ 60HZ
4500W 5400W
21.0A 22.50A

NOTE #1: ALL NUMBERS IN () = ALTO-SHAAM PART NO'S
NOTE #2: SEE DRW. #B-8825 FOR WIRE ASSEMBLIES

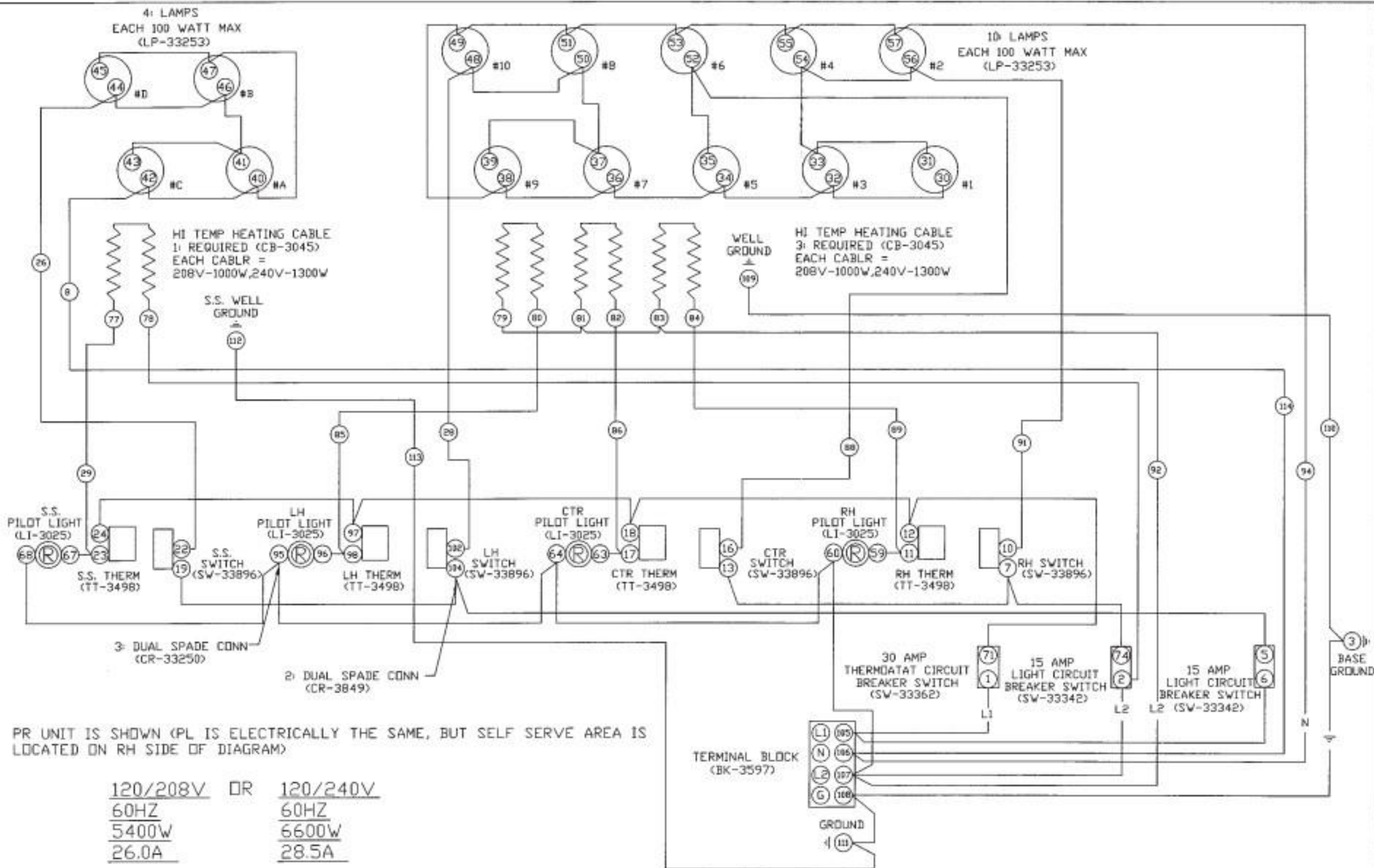
REVISIONS			PDSYS-72,72/P	120/208-240V	
NO.	DATE	BY	<p style="text-align: center;">WIRING DIAGRAM</p> <p style="text-align: center;">ALTO-SHAAM INC. MENDMONEE FALLS, WISCONSIN</p>		
1	10/10/02	DDF			
2					
3					
4					
			DRAWN BY RS	SCALE 1/2"=1"	DWG. NO.
			APP'D AHL	DATE 11/13/97	A-7470



120/208V OR 120/240V
 60HZ 60HZ
 6100W 7300W
 27.98A 30.42A

NOTE #1: ALL NUMBERS IN () = ALTO-SHAAM PART NO'S
 NOTE #2: SEE DRW. #B-8826 FOR WIRE ASSEMBLIES

REVISIONS			PDSYS-96	120/208-240V	
NO.	DATE	BY	WIRING DIAGRAM ALTO-SHAAM INC. MENOMONEE FALLS, WISCONSIN		
1					
2					
3					
4					
5			DRAWN BY RS	SCALE 1/4"=1'	DWG. NO.
			APP'D AHL	DATE 11/13/97	A-7471



PR UNIT IS SHOWN (PL IS ELECTRICALLY THE SAME, BUT SELF SERVE AREA IS LOCATED ON RH SIDE OF DIAGRAM)

<u>120/208V</u>	OR	<u>120/240V</u>
<u>60HZ</u>		<u>60HZ</u>
<u>5400W</u>		<u>6600W</u>
<u>26.0A</u>		<u>28.5A</u>

NOTE #1: ALL NUMBERS IN () = ALTO-SHAAM PART NO'S
NOTE #2: SEE DRW. #B-8826 FOR WIRE ASSEMBLIES

REVISIONS			PDSYS-96/PL,PR		120/208-240V	
NO.	DATE	BY	WIRING DIAGRAM			
1			ALTO-SHAAM INC. MENDOTA FALLS, WISCONSIN			
2						
3						
4			DRAWN BY AHL	SCALE 1/4"=1"	DWG. NO.	
5			APP'D DDF	DATE 10/13/03	A-7675	