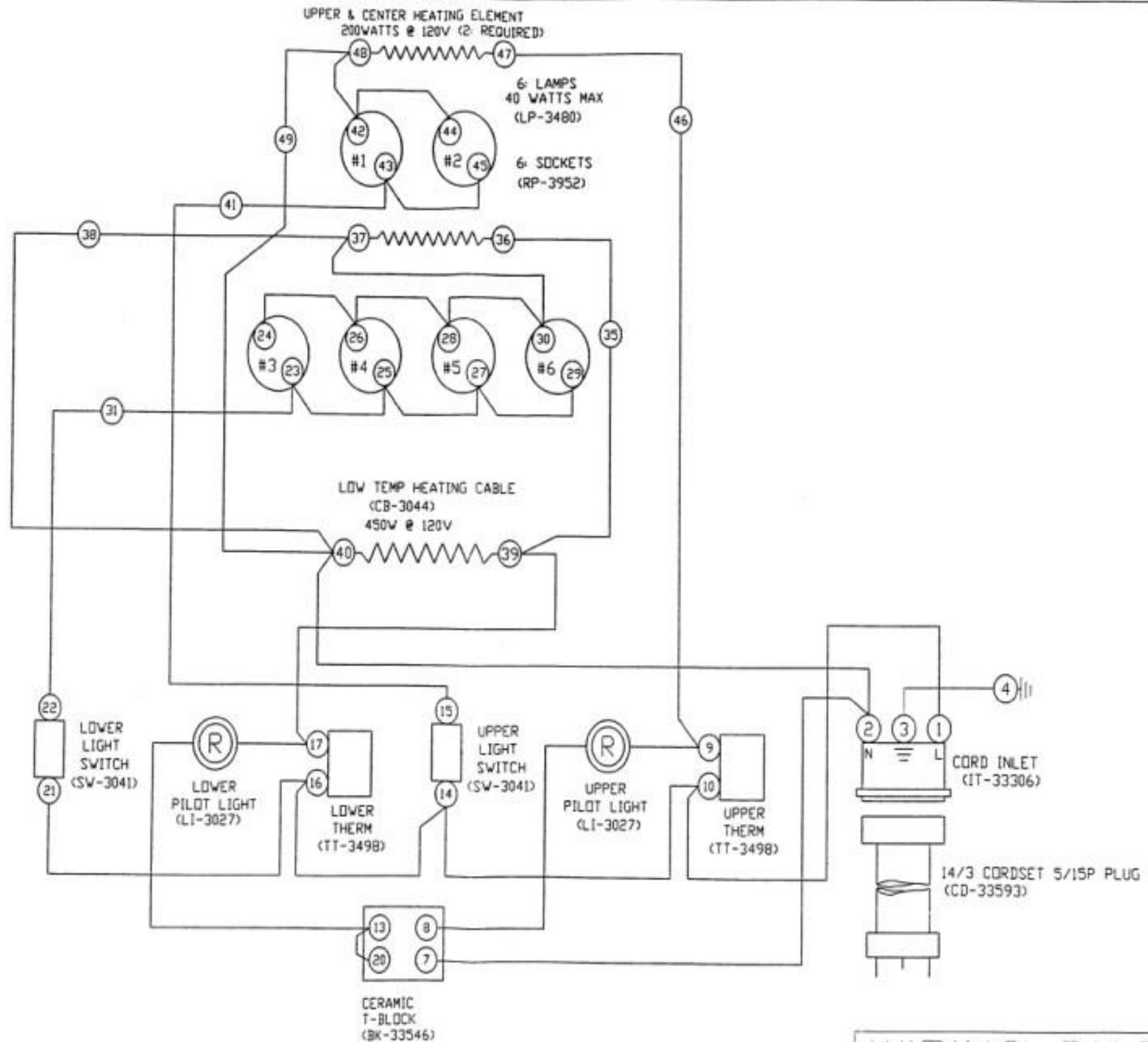


120V  
1100V  
60Hz  
9.5A



NOTE 1: ALL NUMBERS IN ( ) = ALTO-SHAAM PART NUMBERS  
NOTE 2: SEE DRW. #8976 FOR WIRE ASSEMBLIES

# WIRING DIAGRAM

MODELS: MM-30/2S, 2P 120V

**ALTO-SHAAM.**  
MENOMONEE FALLS, WISC. 53052-450

NO. 1  
09/26/02  
DDF

BY: AHL APP'D: P.E.D. DATE: 02/02/00  
SCALE: 1/2=1" DWG: B-7557