

125V  
60Hz  
1750W  
14.0A

6: LAMPS TYP.  
(LP-3542)  
75 WATTS EACH

HI TEMP HEATING CABLE  
125V - 1300W (CB-3045)

PILOT LIGHT  
(LI-3027)

THERMOSTAT  
(TT-3498)

CORD &  
PLUG SET  
(CD-3397)

POWER SWITCH  
(SW-3041)

LAMP SWITCH  
(SW-3616)

MCD30, MCD30/P (125V)

NOTE 1: ALL NUMBERS IN ( ) = ALTO-SHAAM PART NUMBERS

NOTE 2: SEE DRW. #B-8040 FOR WIRE ASSEMBLIES

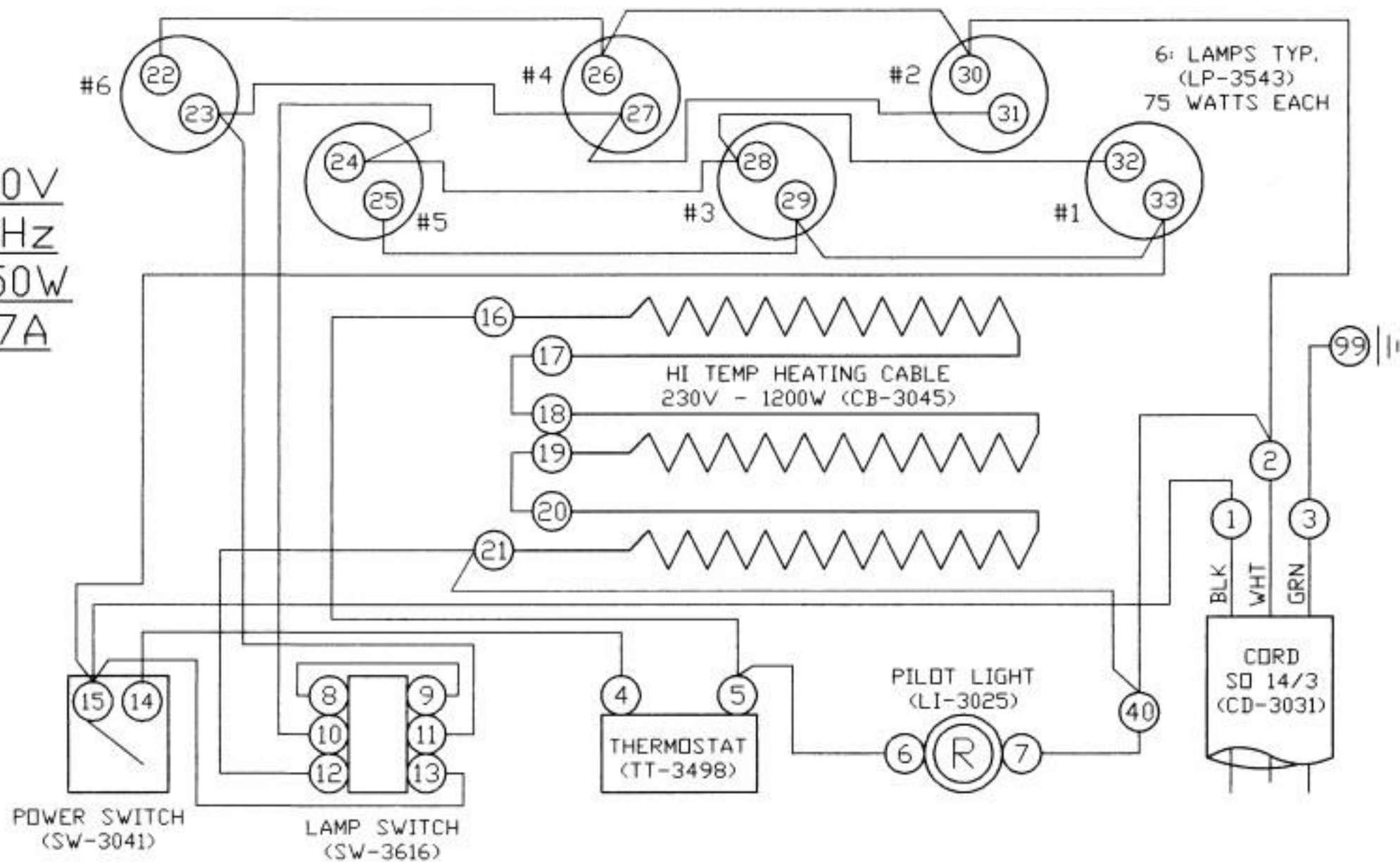
REVISIONS		
NO.	DATE	BY
10	05-16-90	ALD
11	10-19-90	ALD
12	07-01-91	ALD
13	11-19-91	ALD
14	09-04-96	RS

WIRING DIAGRAM

ALTO-SHAAM INC.  
MENOMONEE FALLS, WISCONSIN

DRAWN BY ALD	SCALE 1" = 1"	DWG. NO.
APP'D B.H.	DATE 10-2-84	A-7016

230V  
50Hz  
1550W  
6.7A



6 LAMPS TYP.  
(LP-3543)  
75 WATTS EACH

THERMOSTAT  
(TT-3498)

PILOT LIGHT  
(LI-3025)

CORD  
SO 14/3  
(CD-3031)

POWER SWITCH  
(SW-3041)

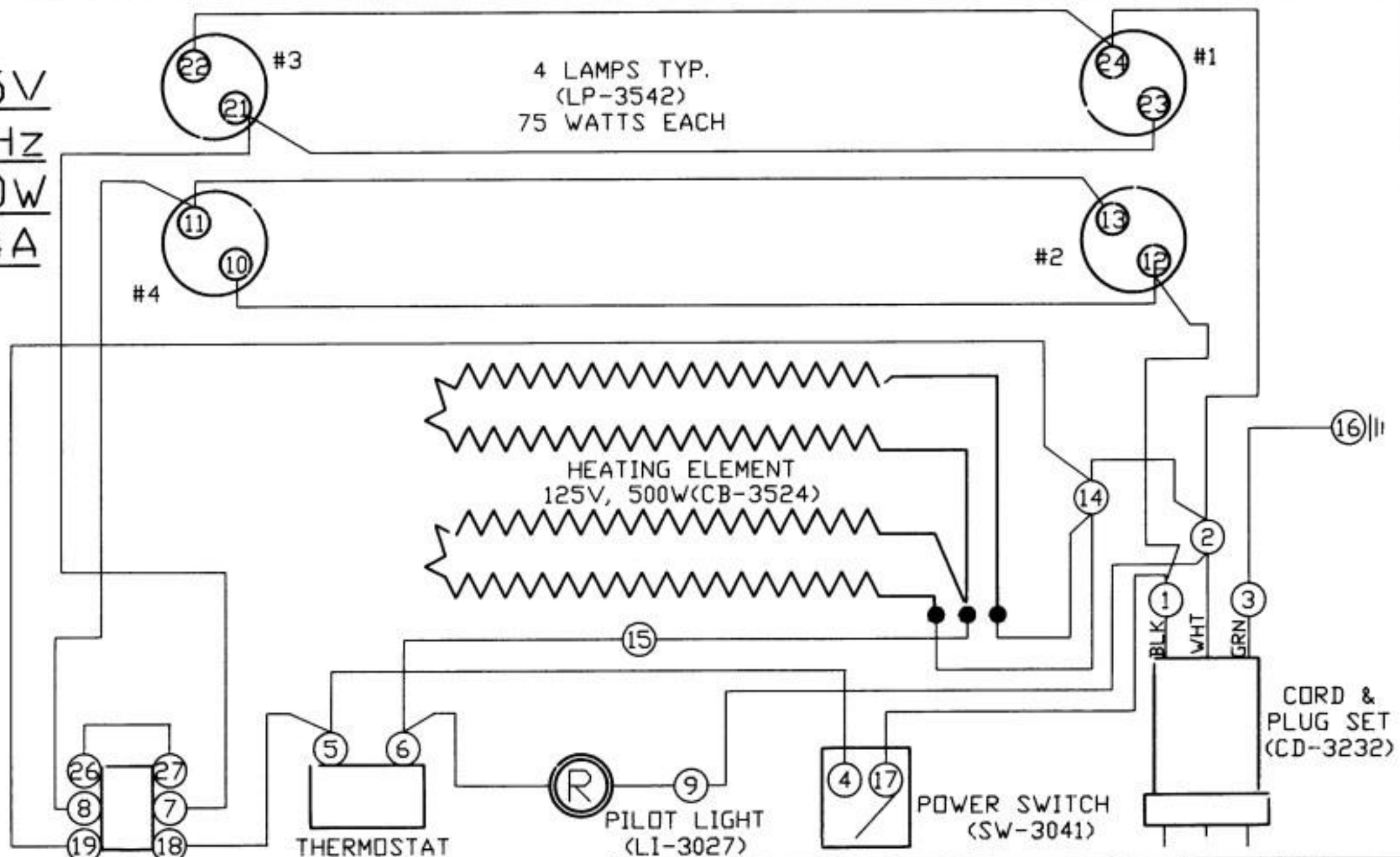
LAMP SWITCH  
(SW-3616)

REVISIONS			MCD30,MCD30/P (230V)		
NO.	DATE	BY			
10	10-19-90	ALD	<p>WIRING DIAGRAM</p> <p>ALTO-SHAAM INC.</p> <p>MENOMONEE FALLS, WISCONSIN</p>		
11	07-01-91	ALD			
12	03-18-92	LRW			
13	03-08-95	RS			
14			DRAWN BY ALD	SCALE 1" = 1"	DWG. NO.
			APP'D <i>ALD</i>	DATE 10-2-84	A-7112

NOTE 1: ALL NUMBERS IN ( ) = ALTO-SHAAM PART NUMBERS

NOTE 2: SEE DRW. #B-8174 FOR WIRE ASSEMBLIES

125V  
60Hz  
800W  
6.4A

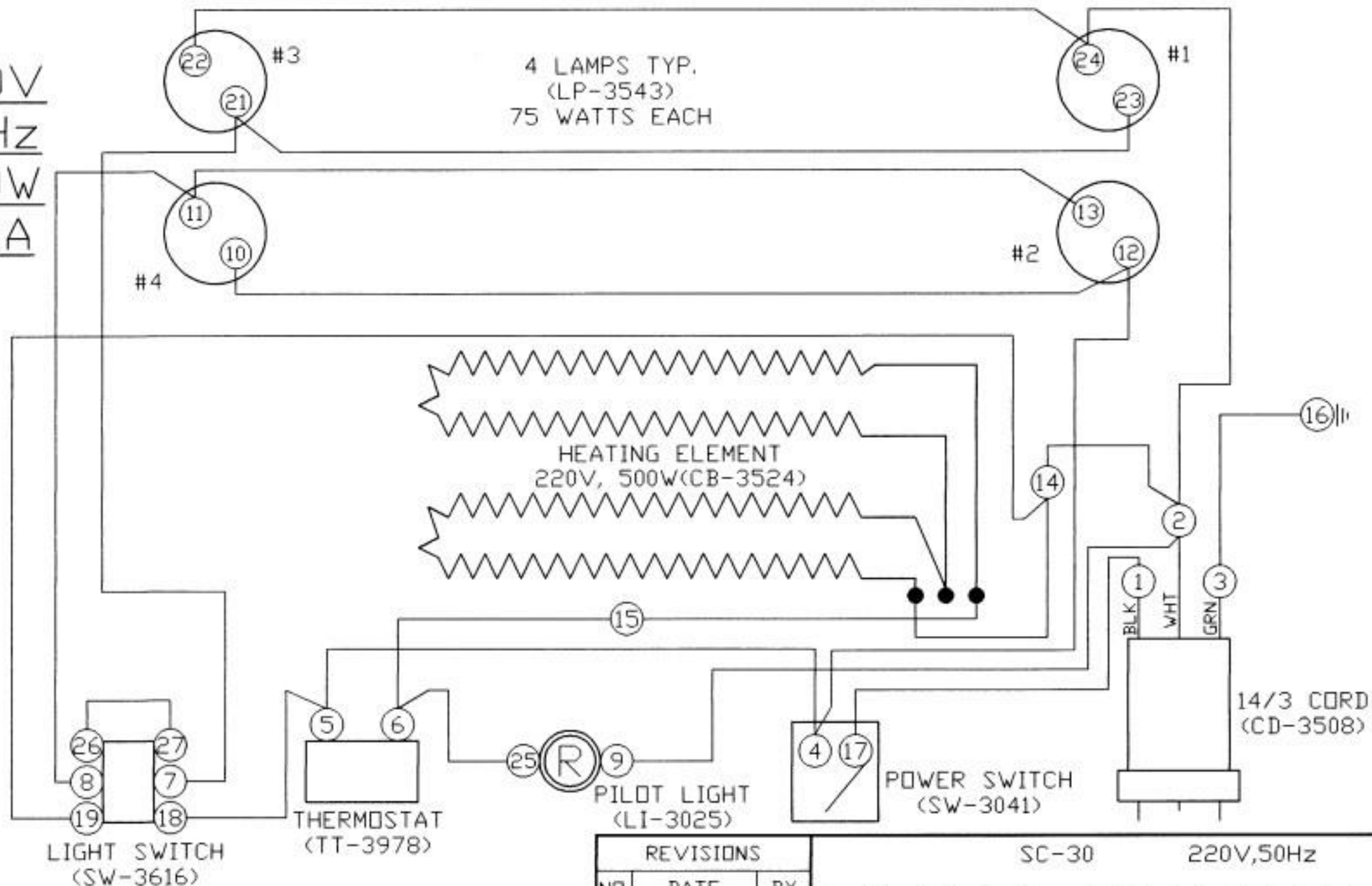


NOTE 1: ALL NUMBERS IN ( ) = ALTO-SHAAM PART NUMBERS

NOTE 2: SEE DRW. B-8494 FOR WIRE ASSEMBLIES

REVISIONS			SC-30 125V-60Hz		
NO.	DATE	BY	WIRING DIAGRAM		
3	01-26-87	LLN	ALTO-SHAAM INC. MENOMONEE FALLS, WISCONSIN		
4	11-19-87	ALD			
5	09-11-89	ALD			
6	04-06-93	RS	DRAWN BY ALD	SCALE 1"=1"	DWG. NO.
7	08-27-93	RS	APP'D <i>RS</i>	DATE 3-19-85	A-7243

220V  
50Hz  
800W  
3.6A



NOTE 1: ALL NUMBERS IN ( ) = ALTO-SHAAM PART NUMBERS

NOTE 2: SEE DRW. B-8495 FOR WIRE ASSEMBLIES

REVISIONS			SC-30 220V,50Hz	
NO.	DATE	BY	WIRING DIAGRAM	
4	09-11-89	ALD	ALTO-SHAAM INC. MENOMONEE FALLS, WISCONSIN	
5	01-21-91	ALD		
6	04-06-93	RS	DRAWN BY ALD	SCALE 1"=1"
7	08-27-93	RS	APP'D B.H.	DATE 3-20-85
8	11-17-95	RS	DWG. NO. A-7244	