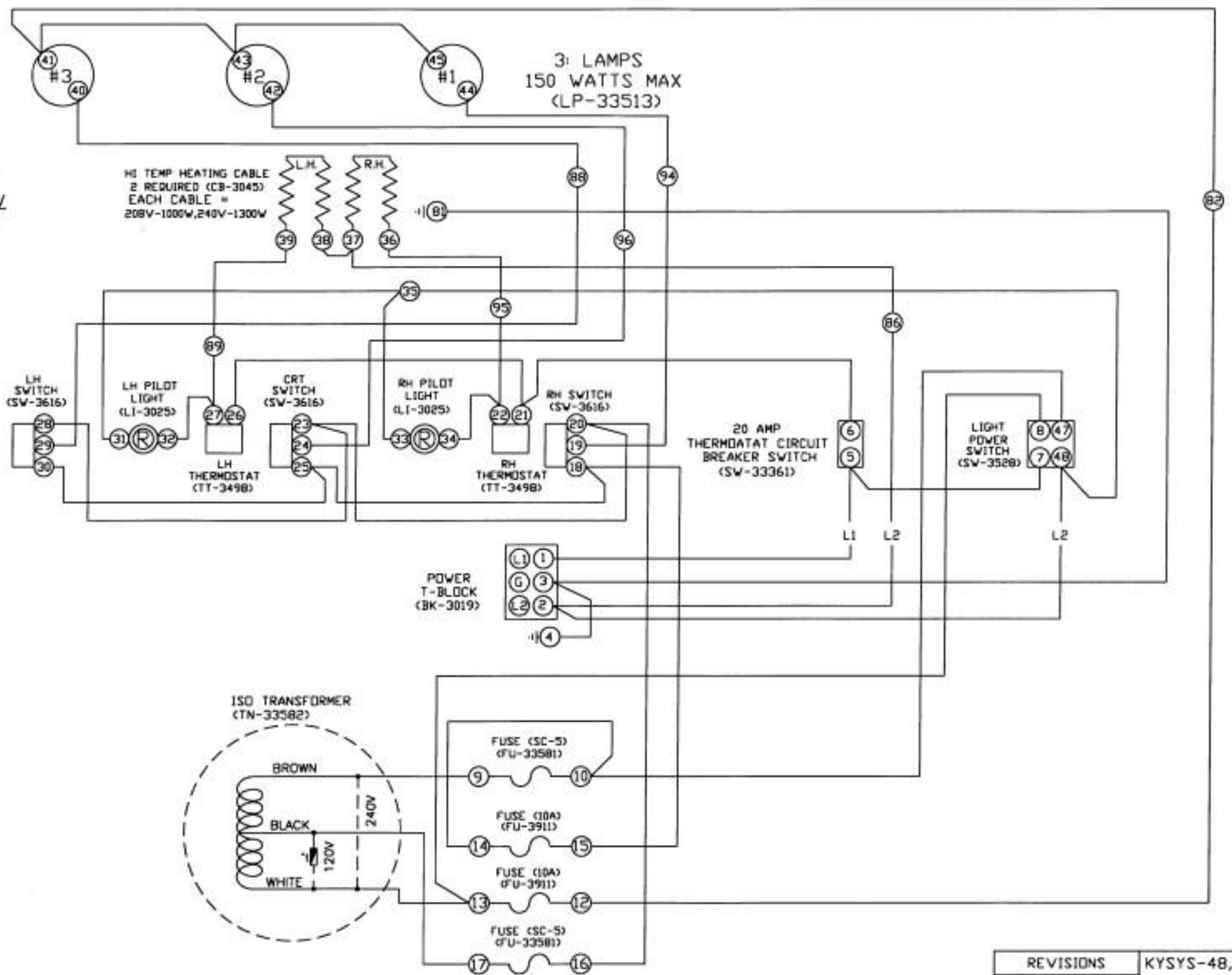
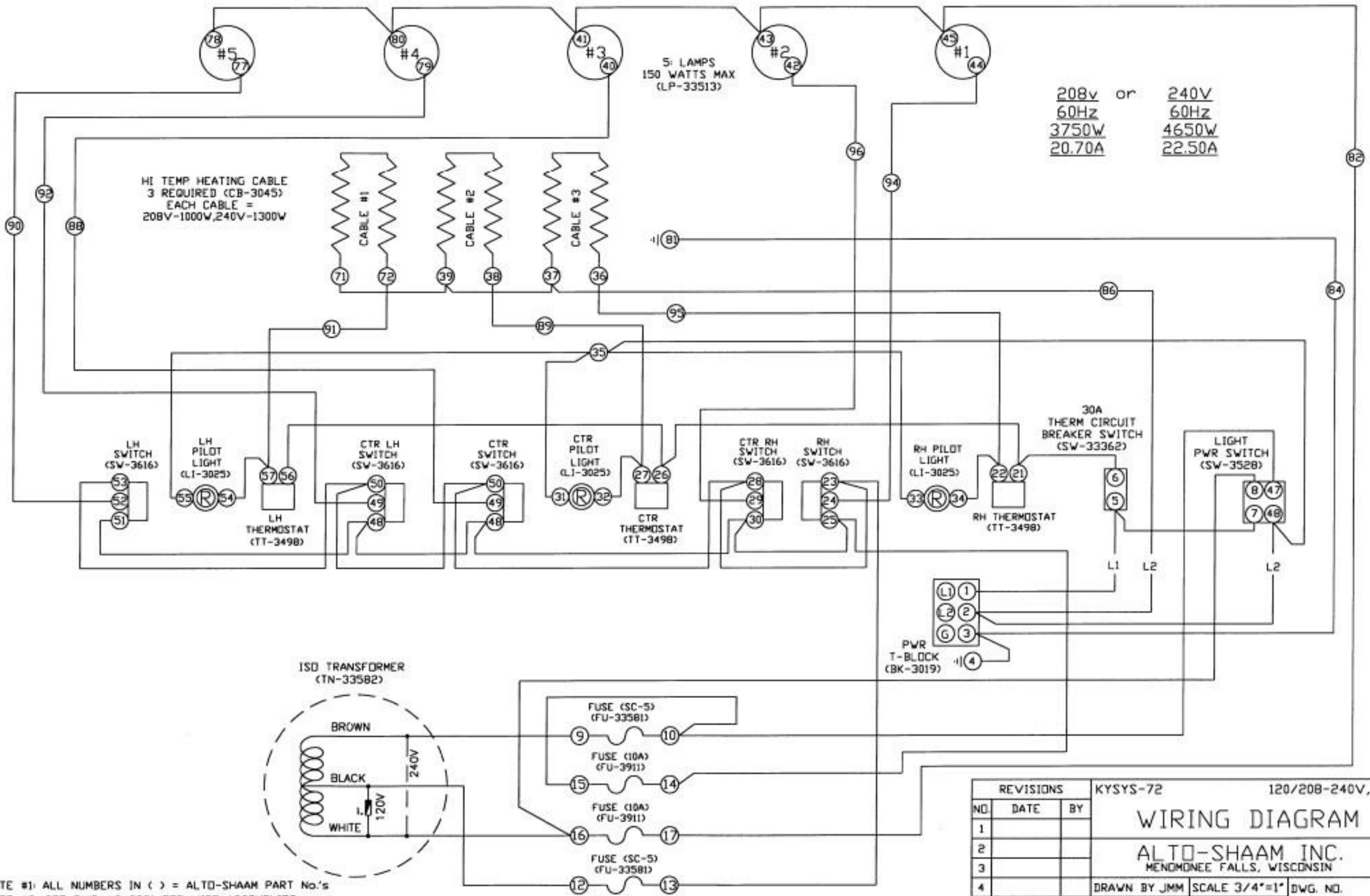


208V OR 240V
 60Hz 60Hz
 2450W 3050W
 13.40A 14.60A



NOTE #1: ALL NUMBERS IN () = ALTO-SHAAM PART NUMBERS
 NOTE #2: SEE DWG #C-8920 FOR WIRE ASSEMBLIES

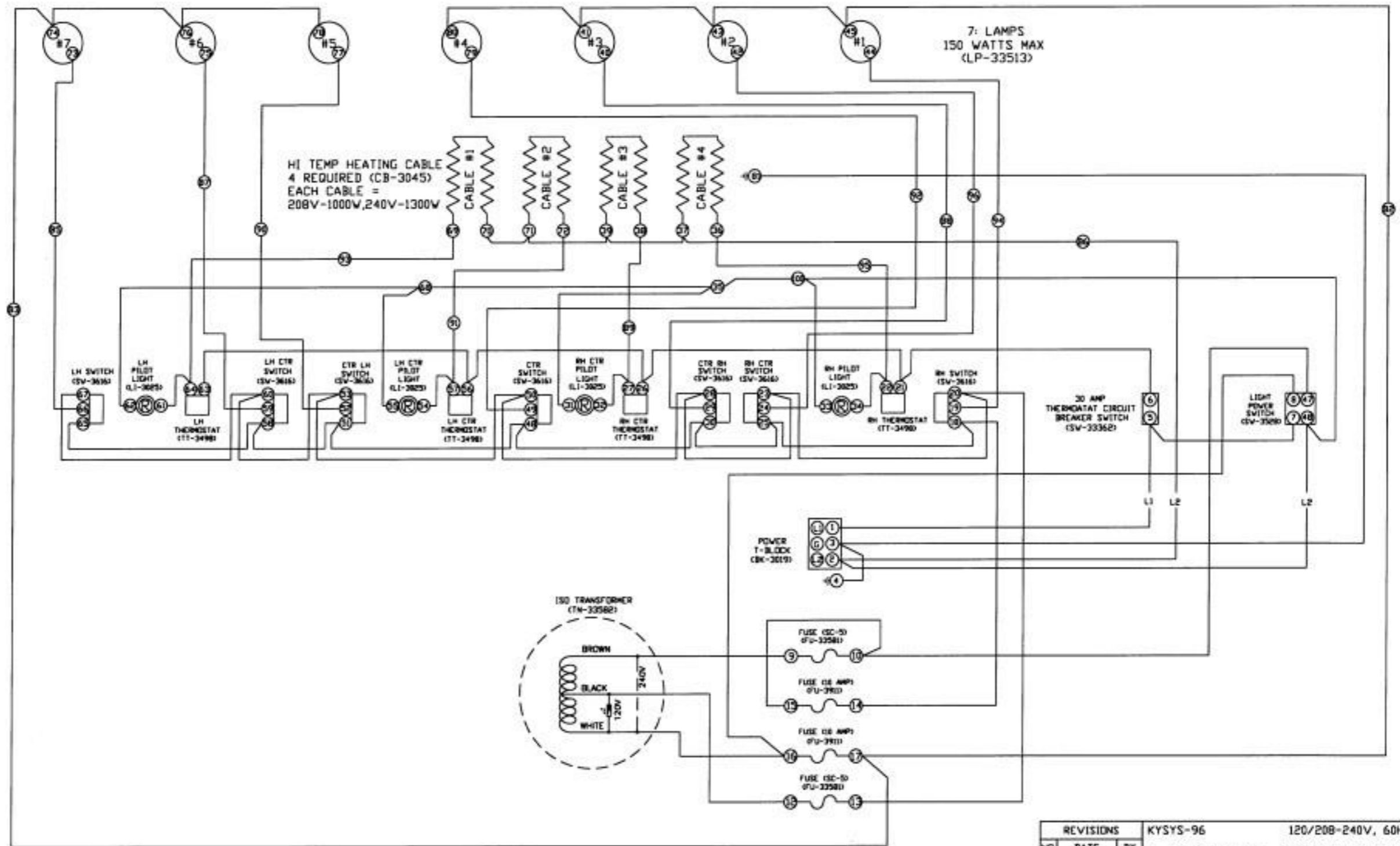
REVISIONS			KYSYS-48,48/P	120/208-240V, 60Hz	
NO.	DATE	BY	WIRING DIAGRAM		
1			ALTO-SHAAM INC. MENDONEE FALLS, WISCONSIN		
2					
3			DRAWN BY JMM	SCALE 1/2"=1"	DWG. NO.
4			APP'D TEZ	DATE 12/02/99	B-7526



NOTE #1: ALL NUMBERS IN () = ALTO-SHAAM PART No.'s
NOTE #2: SEE DWG. #C-8921 FOR WIRE ASSEMBLIES

REVISIONS			KYSYS-72	120/208-240V, 60HZ
NO.	DATE	BY	WIRING DIAGRAM	
1			ALTO-SHAAM INC.	
2			MENDOTA FALLS, WISCONSIN	
3			DRAWN BY JMM	SCALE 3/4"=1" DWG. NO.
4			APP'D TEZ	DATE 12/02/99 B-7527
5				

208V OR 240V
 60Hz 60Hz
 5050W 6250W
 28.00A 30.50A



NOTE #1: ALL NUMBERS IN () = ALTO-SHAAM PART NUMBERS
 NOTE #2: SEE DWG C-8992 FOR WIRE ASS'YS

REVISIONS			KYSYS-96	120/208-240V, 60HZ
NO.	DATE	BY	WIRING DIAGRAM	
1			ALTO-SHAAM INC. HEMLOCK FALLS, WISCONSIN	
2			DRAWN BY JMM	SCALE 1"=1" DVG. NO.
3			APP'D TEZ	DATE 12/02/99 B-7528
4				
5				