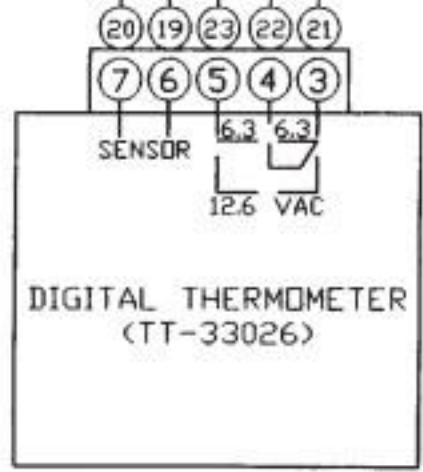
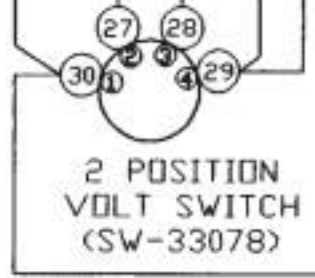
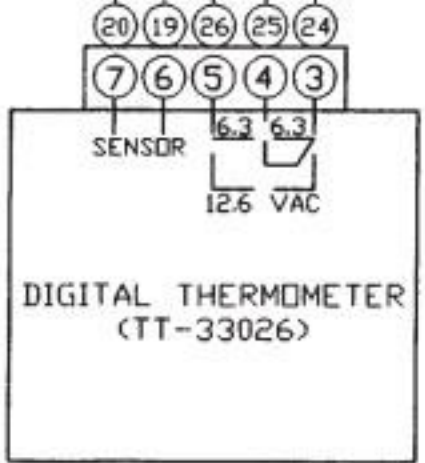


PROBE JACK  
(CR-33027)  
FOR PROBE ASB  
(4003)

120V OR 240V  
50/60HZ

LH SIDE



RH SIDE

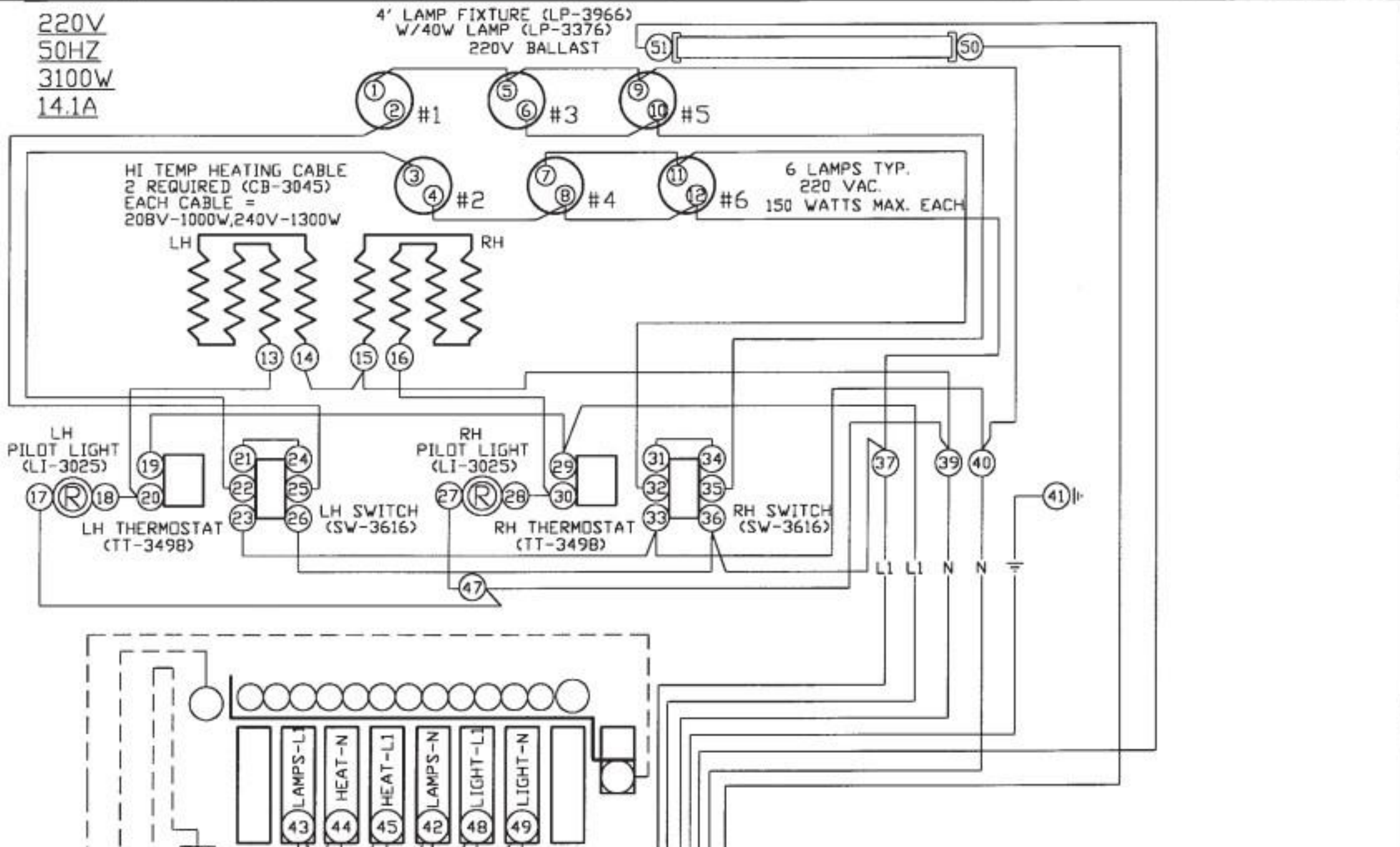
PROBE JACK  
(CR-33027)  
FOR PROBE ASB  
(4003)

NOTE #1: ALL NUMBERS IN ( ) = ALTO-SHAAM PART NO'S  
NOTE #2: SEE DRW. #B-8699 FOR WIRE ASSEMBLIES

REVISIONS			HN, TY, HNSYS, TYSYS-48, 48P 4' PROBE OPT	
NO.	DATE	BY	72PR, 72PL	
1			<p style="text-align: center;">WIRING DIAGRAM</p> <p style="text-align: center;">ALTO-SHAAM INC.</p> <p style="text-align: center;">MENDOTA FALLS, WISCONSIN</p>	
2				
3				
4				
5				
DRAWN BY LRP		SCALE 3/4"=1'	DWG. NO.	
APP'D		DATE 04/08/94	A-7370	

220V  
50HZ  
3100W  
14.1A

4' LAMP FIXTURE (LP-3966)  
W/40W LAMP (LP-3376)  
220V BALLAST



HI TEMP HEATING CABLE  
2 REQUIRED (CB-3045)  
EACH CABLE =  
208V-1000W, 240V-1300W

6 LAMPS TYP.  
220 VAC.  
150 WATTS MAX. EACH

LH  
PILOT LIGHT  
(LI-3025)

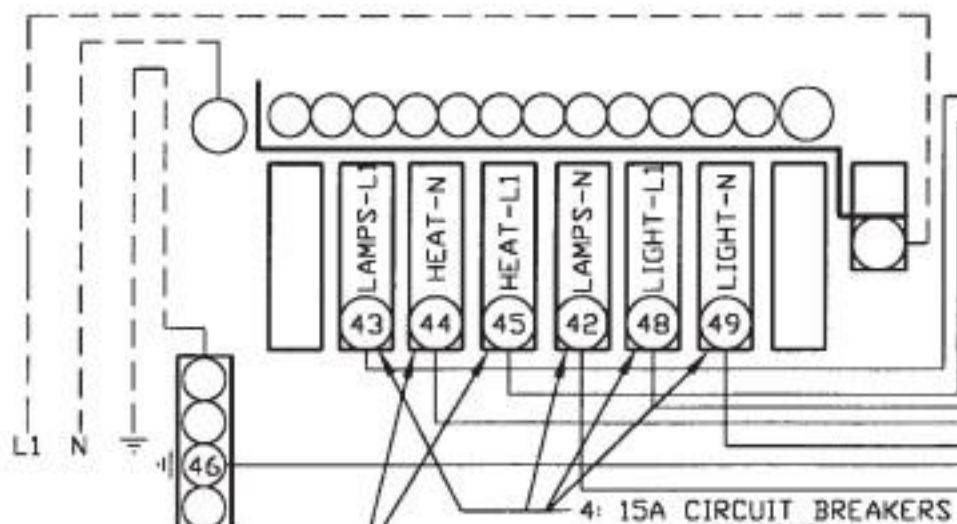
RH  
PILOT LIGHT  
(LI-3025)

LH THERMOSTAT  
(TT-3498)

RH THERMOSTAT  
(TT-3498)

LH SWITCH  
(SW-3616)

RH SWITCH  
(SW-3616)

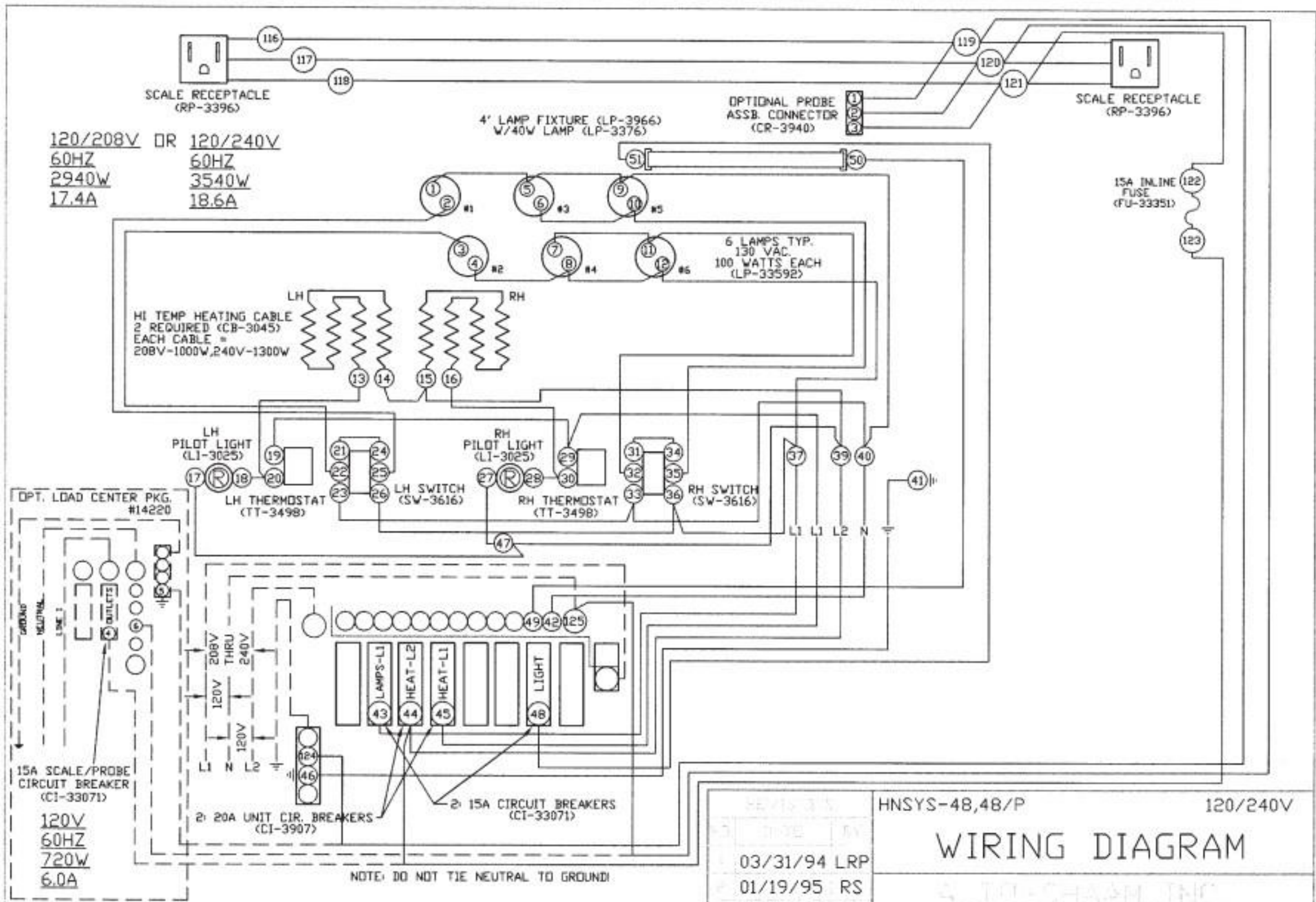


2: 20A UNIT CIR. BREAKERS  
(CI-3907)

4: 15A CIRCUIT BREAKERS  
(CI-33071)

NOTE #1: ALL NUMBERS IN ( ) = ALTO-SHAAM PART NO'S  
NOTE #2: SEE DRW. #B-8772 FOR WIRE ASSEMBLIES

REVISIONS			HNSYS-48,48/P		220V
NO.	DATE	BY	WIRING DIAGRAM		
1	01/19/95	RS	ALTO-SHAAM INC. MEMONNEE FALLS, WISCONSIN		
2	02/06/97	RS			
3	06/18/98	RS			
4			DRAWN BY RS	SCALE NONE	DWG. NO.
5			APP'D DAR	DATE 11-21-94	A-7391



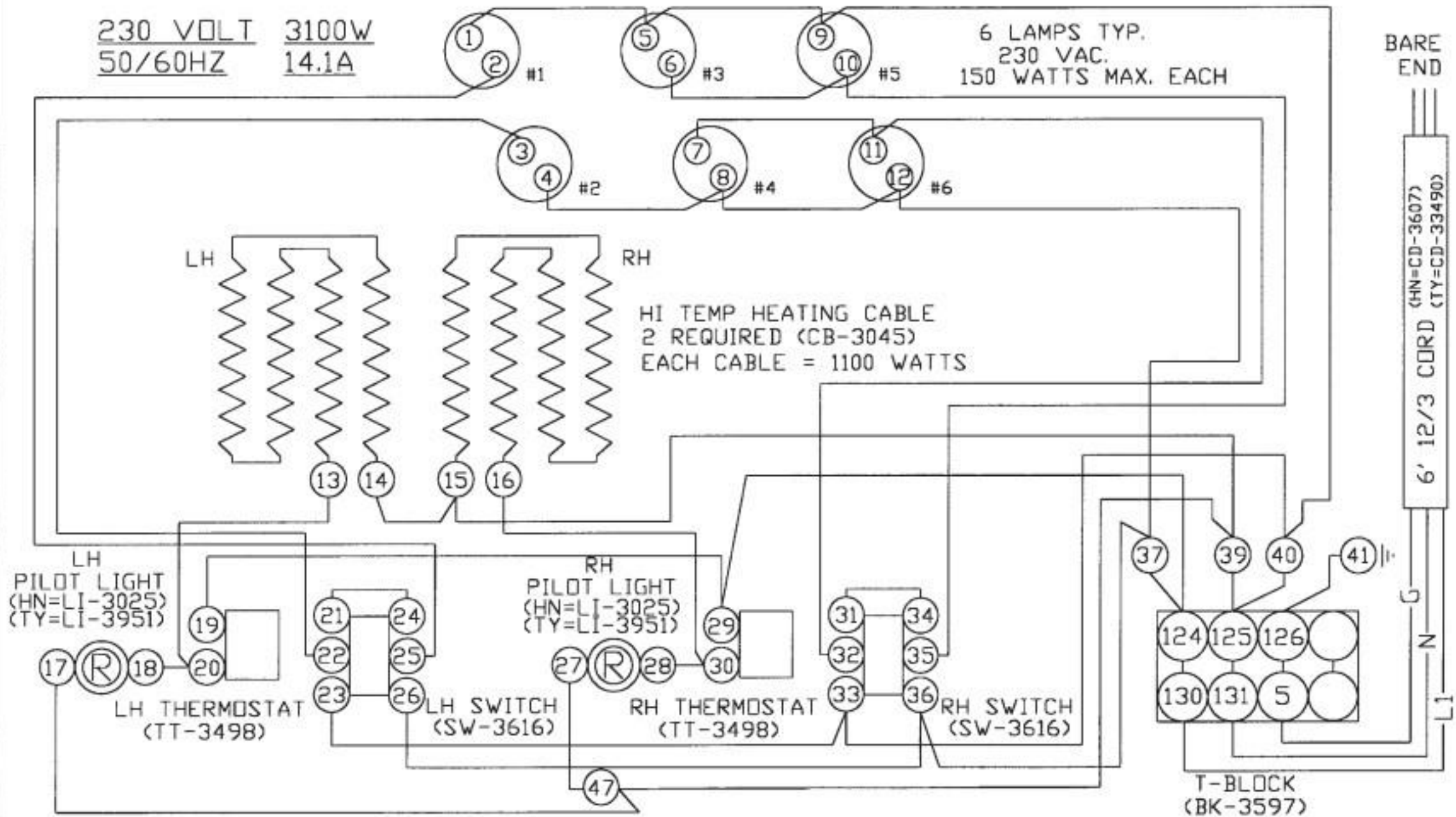
NOTE #1: ALL NUMBERS IN ( ) = ALTO-SHAAM PART NO'S  
NOTE #2: SEE DRW. #B-8677 FOR WIRE ASSEMBLIES

REV 15 3 V	HNSYS-48,48/P	120/240V
03/31/94 LRP	<b>WIRING DIAGRAM</b>	
01/19/95 RS		
02/06/97 RS	ALTO-SHAAM INC	
01/15/01 NWW	LRP	SCALE 1/2"=1'
	J.Z.	DATE 4/07/93
		A-7355

230 VOLT 3100W  
50/60HZ 14.1A

6 LAMPS TYP.  
230 VAC.  
150 WATTS MAX. EACH

BARE END



LH  
PILOT LIGHT  
(HN=LI-3025)  
(TY=LI-3951)

RH  
PILOT LIGHT  
(HN=LI-3025)  
(TY=LI-3951)

LH THERMOSTAT  
(TT-3498)

LH SWITCH  
(SW-3616)

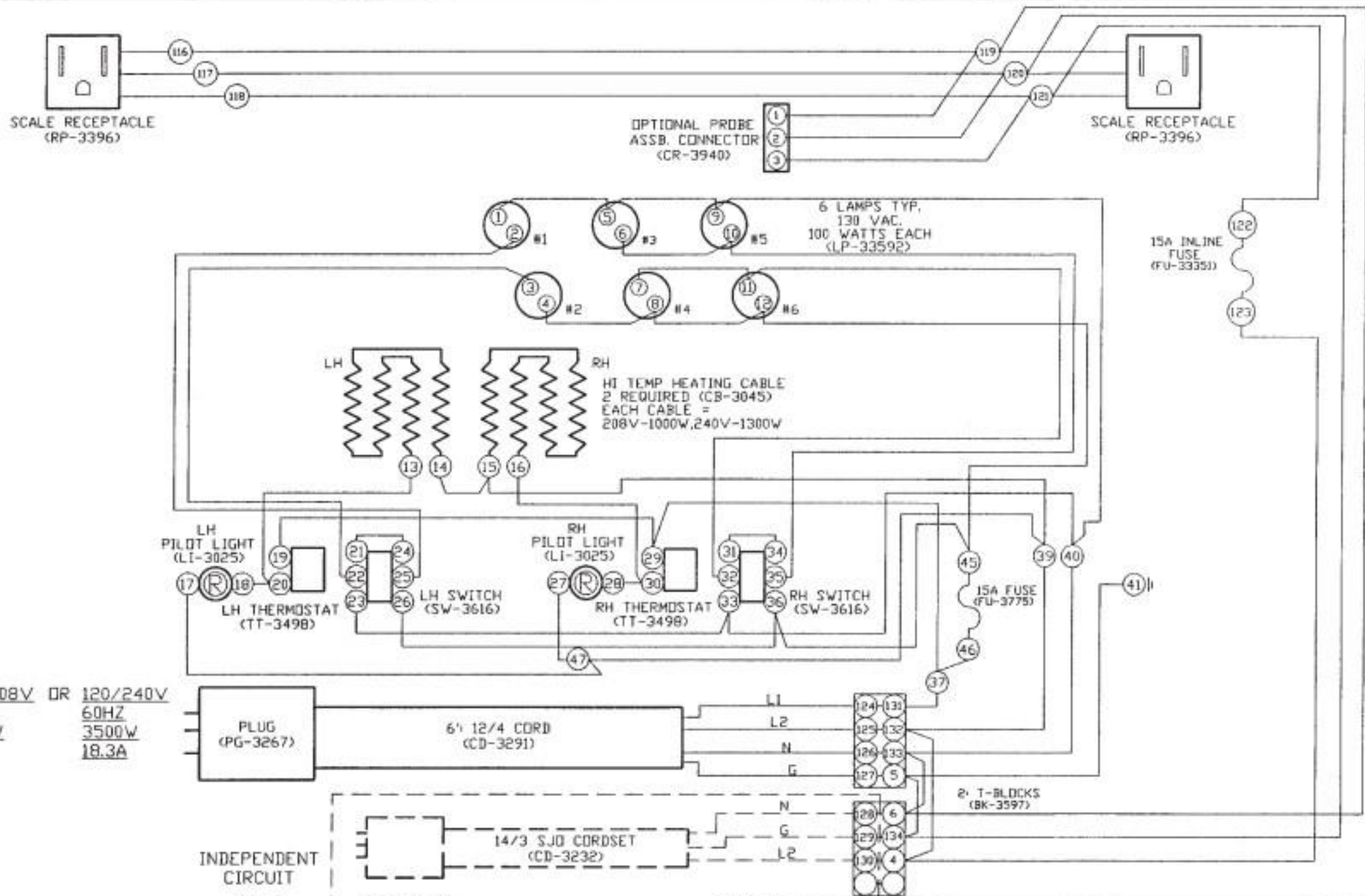
RH THERMOSTAT  
(TT-3498)

RH SWITCH  
(SW-3616)

T-BLOCK  
(BK-3597)

NOTE #1: ALL NUMBERS IN ( ) = ALTO-SHAAM PART NO'S  
NOTE #2: SEE DRW. #B-8719 FOR WIRE ASSEMBLIES

REVISIONS			HN, TY-48, 48/P	230V, 50HZ
NO.	DATE	BY		
1	02/06/97	RS	WIRING DIAGRAM	
2	06/18/98	RS		
3	03/02/99	JMM		
			ALTO-SHAAM INC. MEMMONEE FALLS, WISCONSIN	
4			DRAWN BY RS	SCALE NONE
5			APP'D MSM	DATE 11/21/94
			DWG. NO.	A-7396



120/208V DR 120/240V  
 60HZ 60HZ  
 2900W 3500W  
 17.1A 18.3A

INDEPENDENT  
 CIRCUIT

120V  
 60HZ  
 720W  
 6.0A

INDEPENDENT  
 CIRCUIT (OPTIONAL)

REVISIONS			HN, TY-48, 48/P		120/208-240V	
NO.	DATE	BY	WIRING DIAGRAM			
1	04/04/94	LRP	ALTO-SHAAM INC. MENOMONEE FALLS, WISCONSIN			
2	07/19/94	RS				
3	02/05/97	RS				
4	01/15/01	NWW	DRAWN BY RS	SCALE 1/2"=1"	DWG. NO.	
5			APP'D DAR	DATE 9/15/93	A-7361	

NOTE #1: ALL NUMBERS IN ( ) = ALTO-SHAAM PART NO'S  
 NOTE #2: SEE DRW. #B-8685 FOR HN WIRE ASSEMBLIES  
 NOTE #3: SEE DRW. #B-8902 FOR TY WIRE ASSEMBLIES