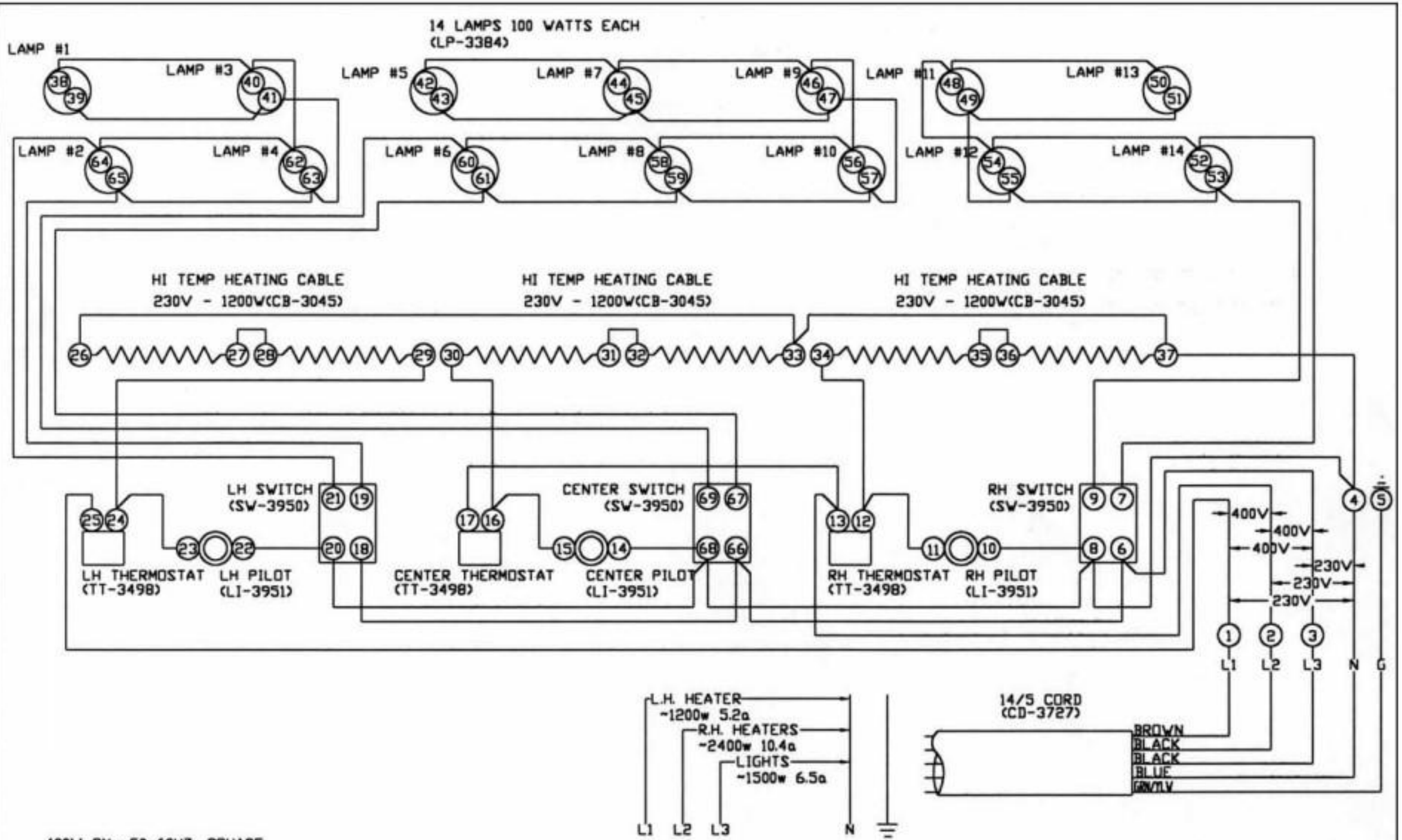


Operation & Care Manual #868-70 • 25

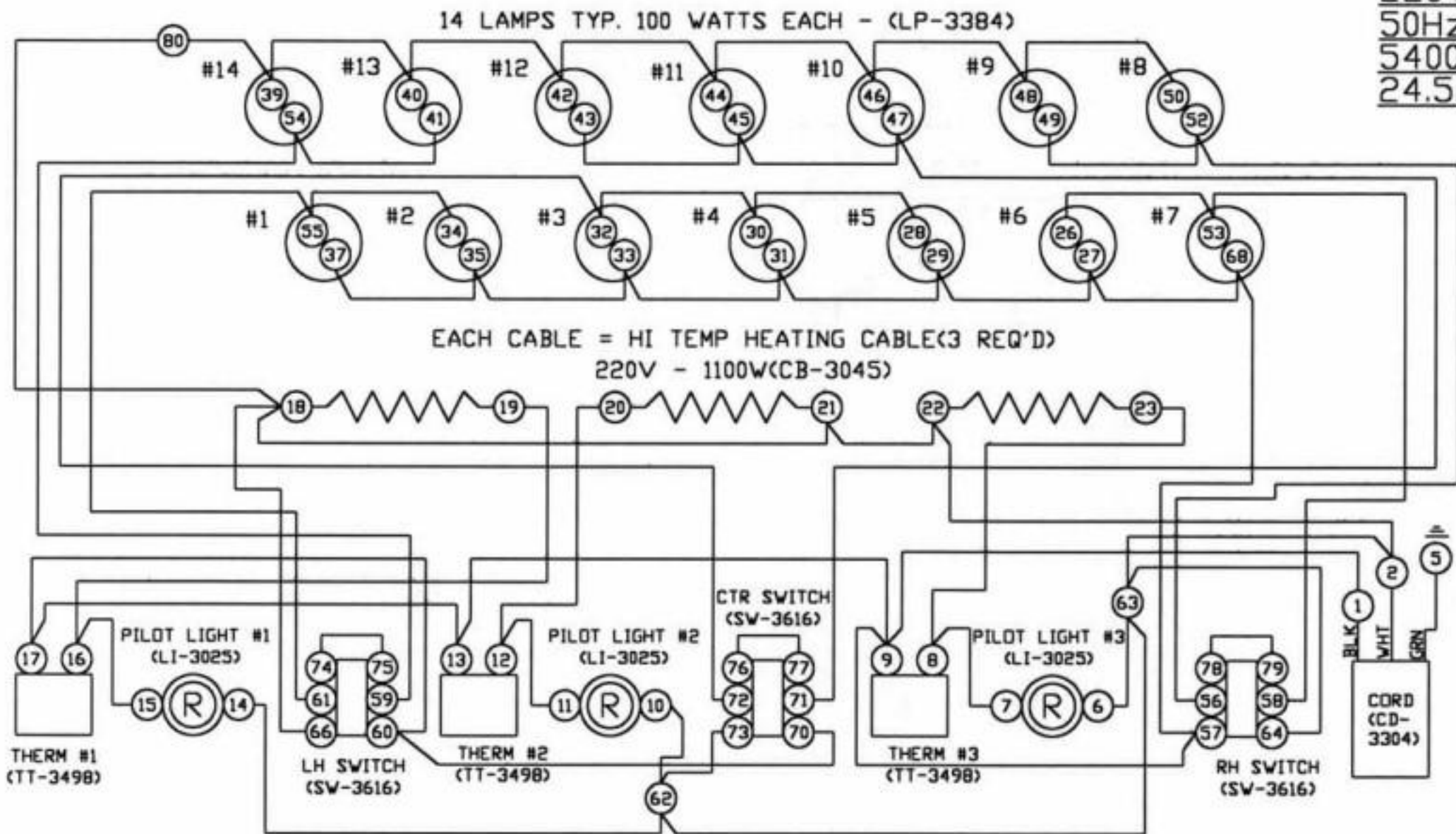


400V 3N- 50-60HZ, 3PHASE
 AT 230V: 5,700 WATTS, Max. 10.4 AMPS/PHASE

ALL NUMBERS IN () = ALTO-SHAAM PART NO'S
 SEE DRW. #B-8586 FOR WIRE ASSEMBLIES

REVISIONS			DCD,ED-96,ED-96/P,PL,PR 230/400V 3-PHASE		
NO.	DATE	BY	WIRING DIAGRAM		
1			ALTO-SHAAM INC.		
2			MENOMONEE FALLS, WISCONSIN		
3			DRAWN BY RS	SCALE 1"=1"	DWG. NO.
4			APP'D DAP	DATE 8/28/95	A-7429

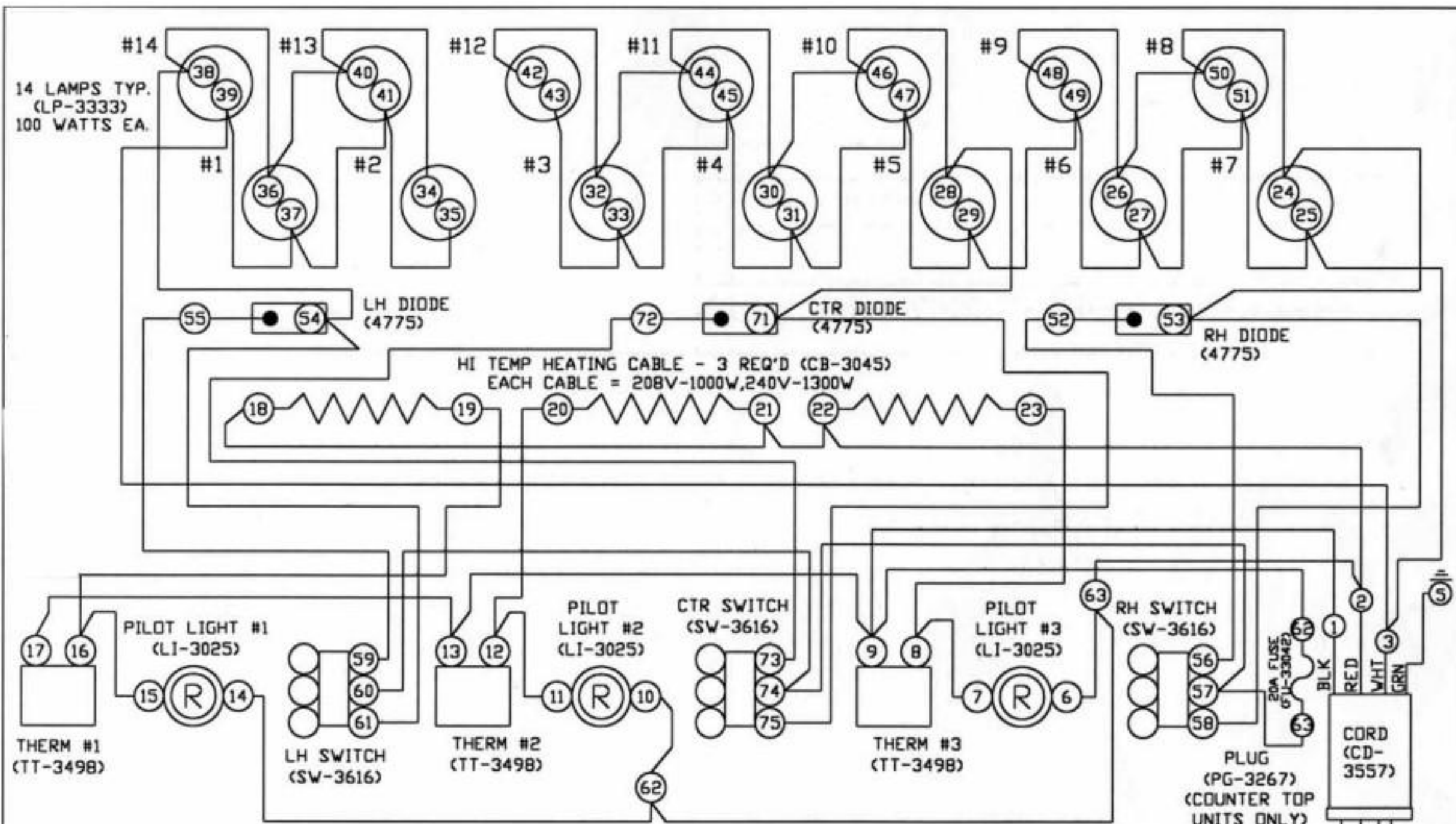
220V
50Hz
5400W
24.5A



NOTE #1: ALL NUMBERS IN () = ALTO-SHAAM PART NO'S

NOTE #2: SEE DRW. #B-8586 FOR WIRE ASSEMBLIES

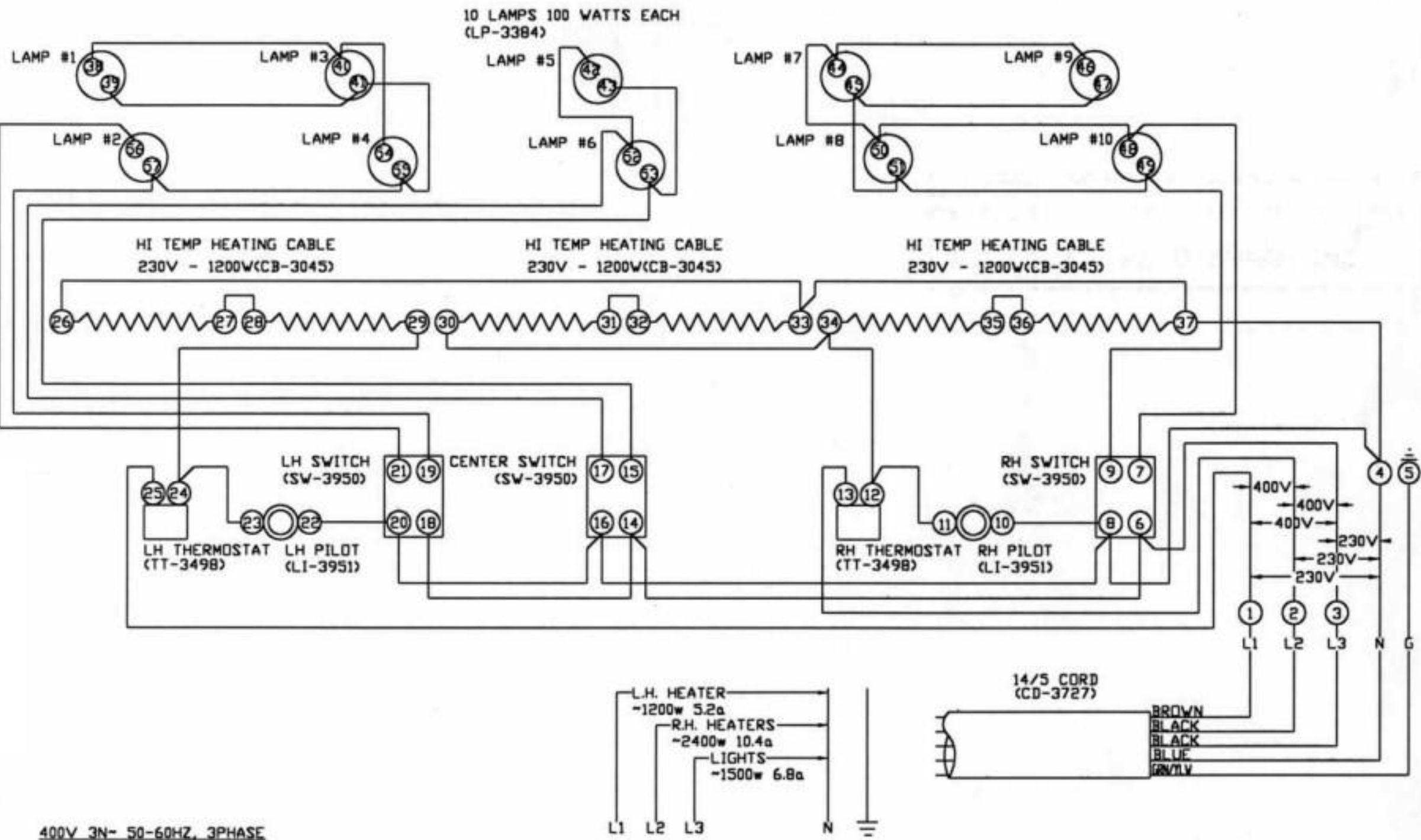
REVISIONS			ED,DCD-96	220V
NO.	DATE	BY	WIRING DIAGRAM ALTO-SHAAM INC. MENOMONEE FALLS, WISCONSIN DRAWN BY LRW SCALE 3/4"=1' DWG. NO. APP'D DAR DATE 03/02/93 A-7293	
2	09-06-88	ALD		
3	03-02-93	LRW		
4	02-23-95	RS		
5	05-11-95	RS		
6				



120/208V OR 120/240V
 60Hz 60Hz
 5100W 6000W
 22.5A 24.7A

NOTE #1: ALL NUMBERS IN () = ALTO-SHAAM PART NO'S
 NOTE #2: SEE DRW. #B-8525 FOR WIRE ASSEMBLIES

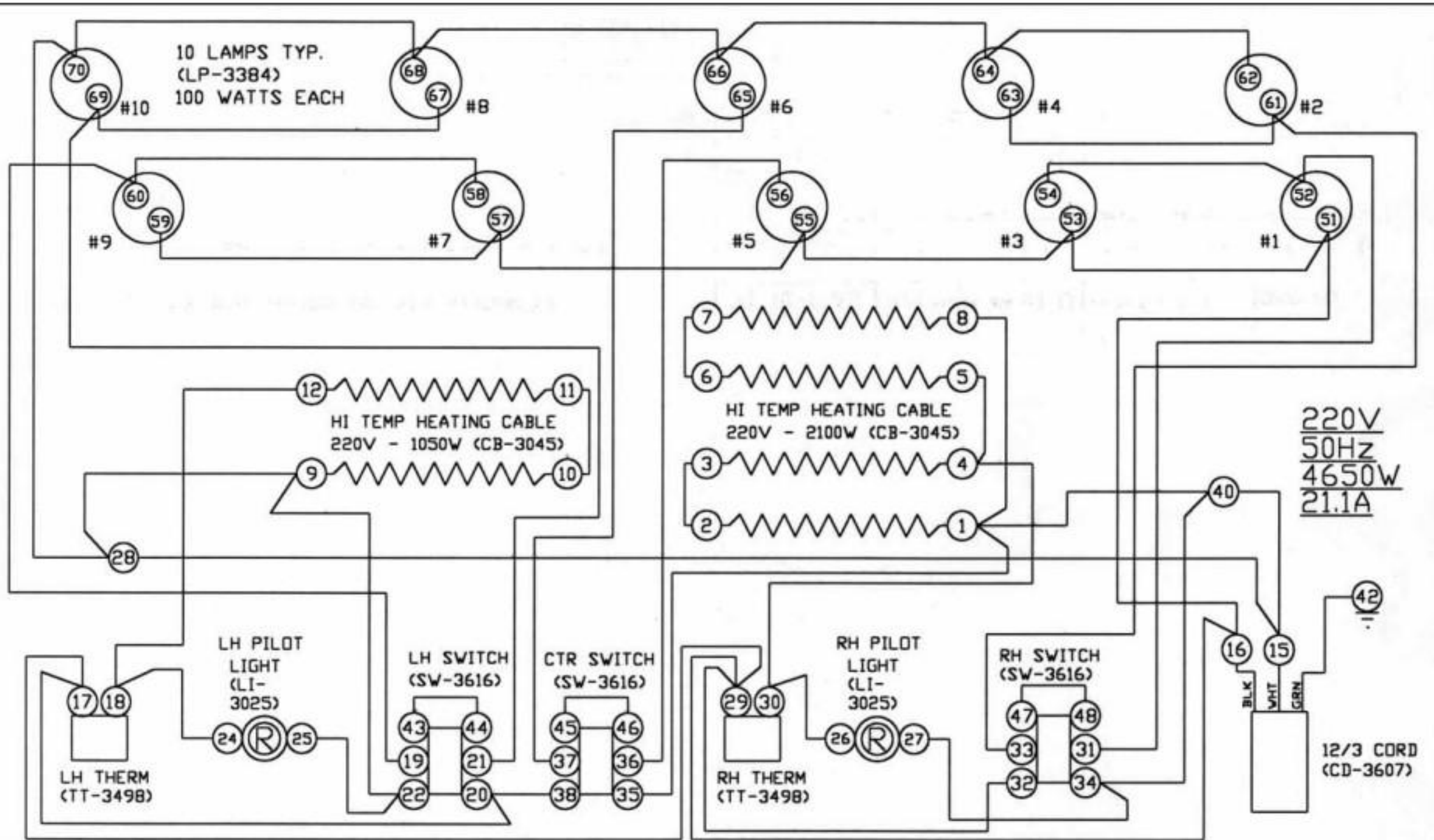
REVISIONS			DCD,ED-96,ED-96/PR,/PL	120/240V
NO.	DATE	BY		
5	03-03-93	LRW	WIRING DIAGRAM ALTO-SHAAM INC. MENOMONEE FALLS, WISCONSIN	
6	07-19-94	RS		
7				
8			DRAWN BY LRW	SCALE 3/4"=1'
9			APP'D DAR	DATE 03/03/93
			DWG. NO. A-7260	



400V 3N- 50-60HZ, 3PHASE
AT 230V: 5,100 WATTS, Max. 10.4 AMPS/PHASE

ALL NUMBERS IN () = ALTO-SHAAM PART NO'S
SEE DRW. #B-8581 FOR WIRE ASSEMBLIES

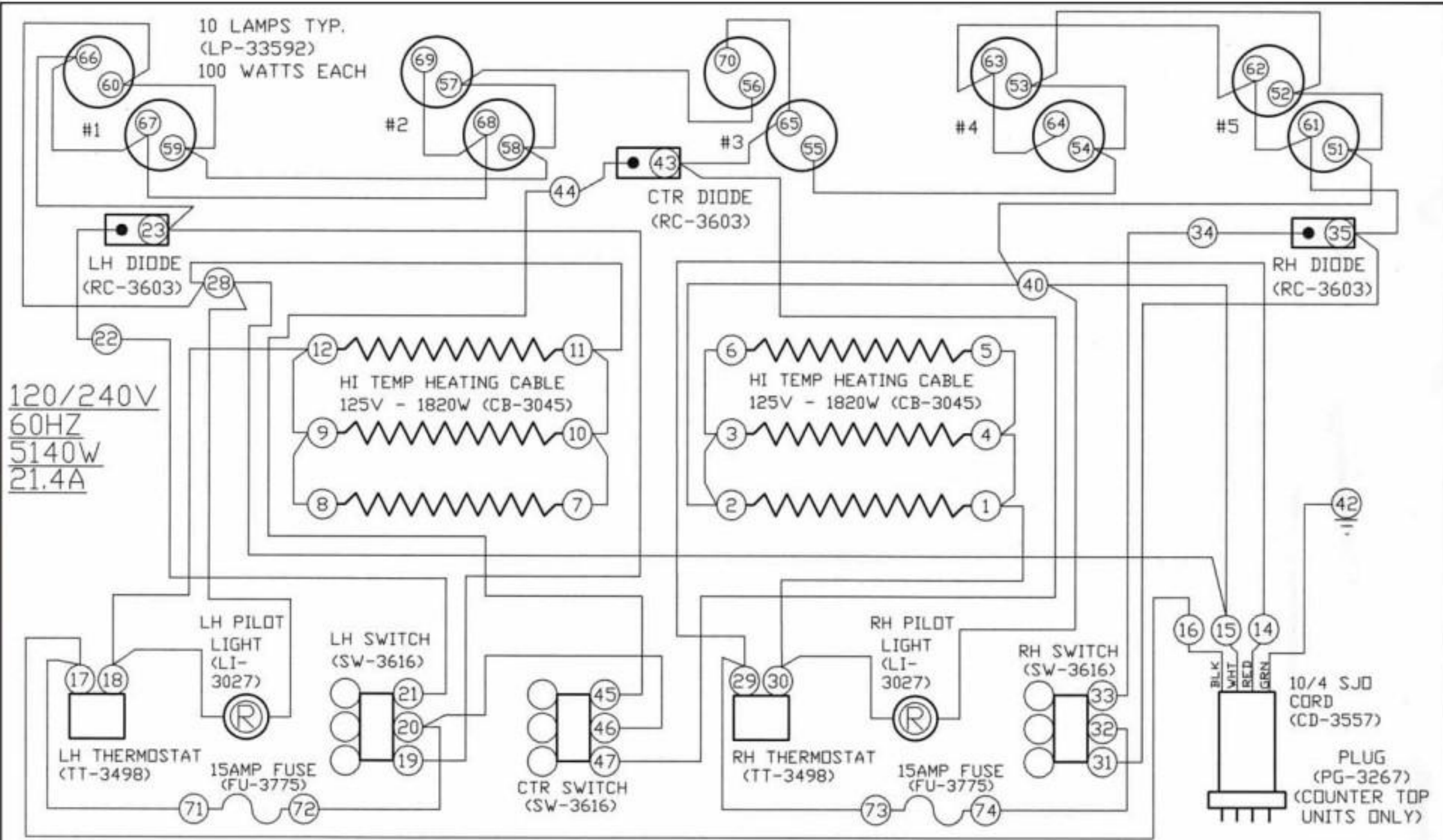
REVISIONS			DCD,ED-72,ED-72/P,PL,PR 230/400V 3-PHASE	
NO.	DATE	BY	WIRING DIAGRAM	
1			ALTO-SHAAM INC. MENDONNEE FALLS, WISCONSIN	
2				
3			DRAWN BY RS	SCALE 1"=1" DVG. NO.
4			APP'D DAR	DATE 8/28/95 A-7428



NOTE #1: ALL NUMBERS IN () = ALTO-SHAAM PART NO'S

NOTE #2: SEE DRW. #B-8581 FOR WIRE ASSEMBLIES

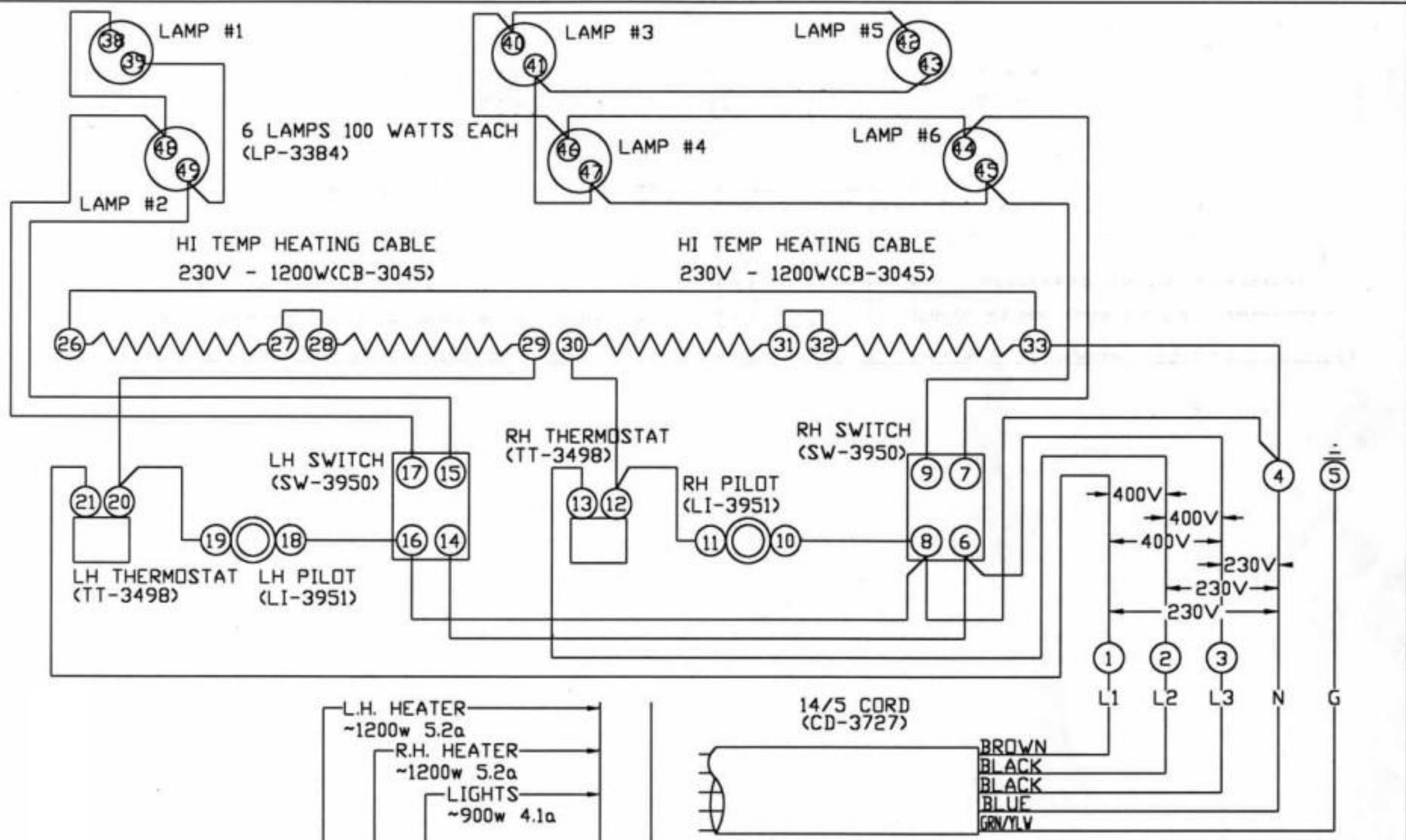
REVISIONS			DCD,ED-72,ED-72/P,/PR,/PL		220V
NO	DATE	BY	WIRING DIAGRAM ALTO-SHAAM INC. MENOMONEE FALLS, WISCONSIN		
1	6-23-88	ALD			
2	9-6-88	ALD	DRWN BY ALD SCALE 1=1 DWG NO APP'D BY DAR DATE 3-25-87 A-7289		
3	10-1-92	LRW			
4					



NOTE #1: ALL NUMBERS IN () = ALTO-SHAAM PART NO'S
 NOTE #2: SEE DRW. #B-8574 FOR WIRE ASSEMBLIES

REVISIONS			ED-72,ED-72/P,/PR,/PL	120/240V
NO	DATE	BY	WIRING DIAGRAM ALTO-SHAAM INC. MENOMONEE FALLS, WISCONSIN	
5	03-01-93	LRW		
6	07-19-94	RS	DRWN BY ALD SCALE 1=1 APP'D BY DAR DATE 11-13-86	
7	01-13-98	RS		
8	01-15-01	NW	DWG NO A-7281	

Operation & Care Manual #808-70 • 20.

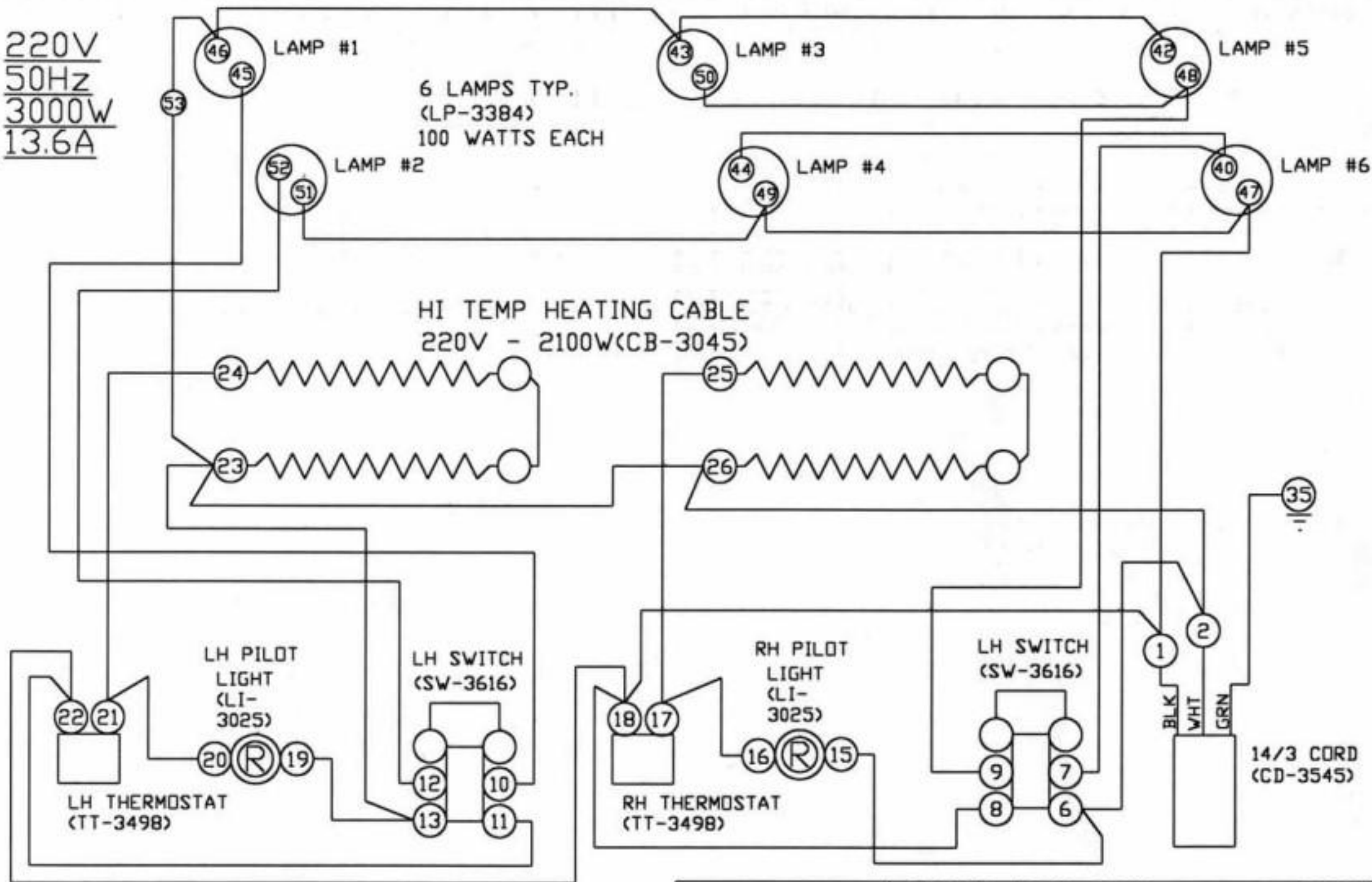


400V 3N~ 50HZ, 3PHASE
 AT 230V: 3,300 WATTS, 5.2 AMPS/PHASE

ALL NUMBERS IN () = ALTO-SHAAM PART NO'S
 SEE DRW. #B-8580 FOR WIRE ASSEMBLIES

REVISIONS			DCD,ED-48,ED-48/P		230/400V 3-PHASE	
NO	DATE	BY	WIRING DIAGRAM			
1			ALTO-SHAAM INC. MENDMONEE FALLS, WISCONSIN			
2						
3			DRWN BY RS	SCALE 1=1	DWG NO	
4			APP'D BY DAR	DATE 8/28/95	A-7427	

220V
50Hz
3000W
13.6A

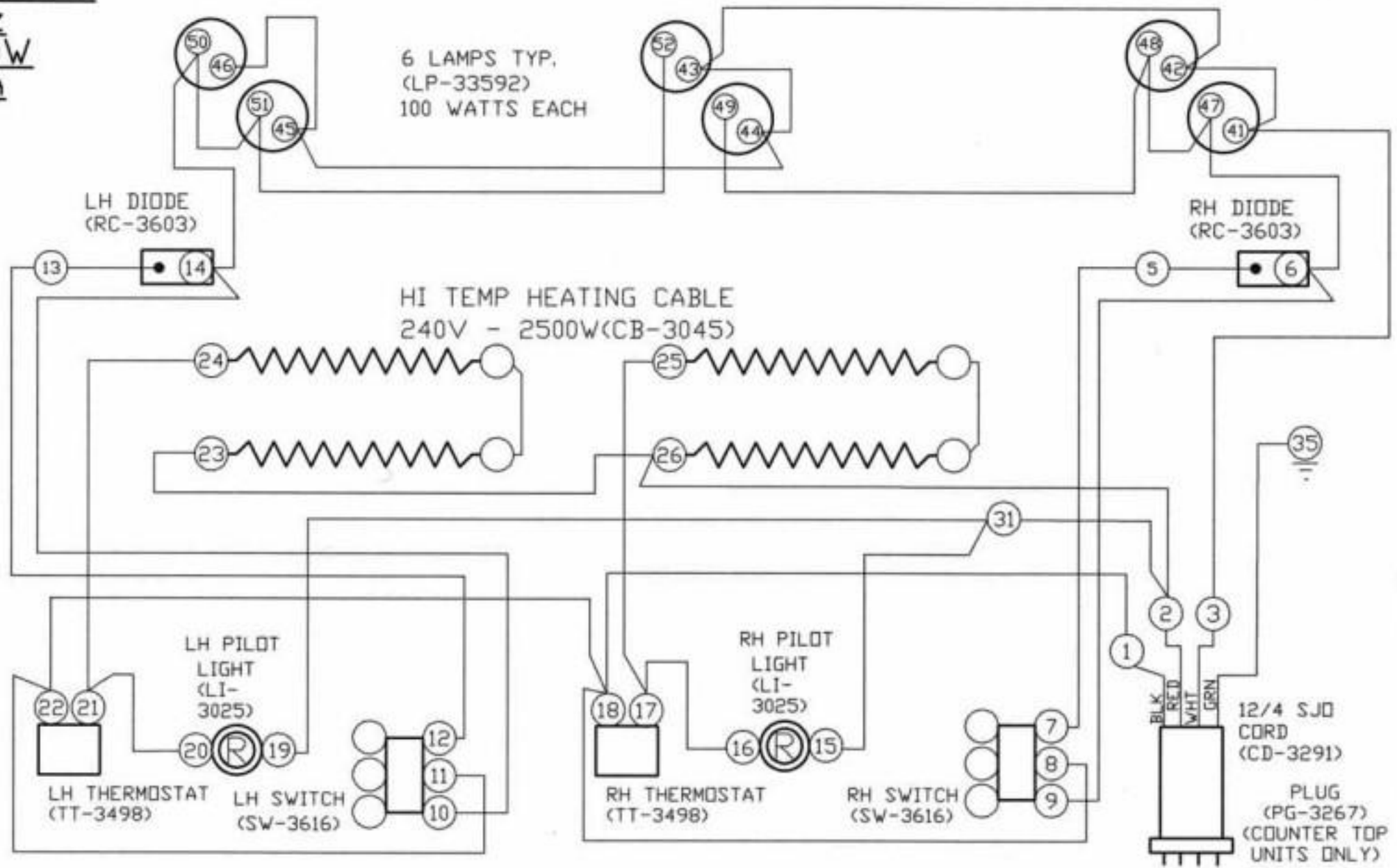


NOTE #1: ALL NUMBERS IN () = ALTO-SHAAM PART NO'S

NOTE #2: SEE DRW. #B-8580 FOR WIRE ASSEMBLIES

REVISIONS			DCD,ED-48,ED-48/P		220V
NO	DATE	BY	WIRING DIAGRAM		
1	06-23-88	ALD	ALTO-SHAAM INC.		
2	09-06-88	ALD	MENOMONEE FALLS, WISCONSIN		
3	02-23-95	RS	DRWN BY ALD	SCALE 1=1	DWG NO
4			APP'D BY DAR	DATE 3-23-87	A-7288

120/240V
60Hz
3400W
18.0A



NOTE #1: ALL NUMBERS IN () = ALTO-SHAAM PART NO'S

NOTE #2: SEE DRW. #B-8571 FOR WIRE ASSEMBLIES

WIRING DIAGRAM

MODELS: ED-48, ED-48/P

120-240V

ALTO-SHAAM

MENOMONEE FALLS, WISC. 53052-450

BY: ALD

SCALE: NONE

DWG:

APP'D: DAR

DATE: 11/13/86

A-7277

NO.	REVISION	BY
5	01/15/01	NW
4	03/01/93	LRW
3	08/29/90	ALD
2	09/06/88	ALD
1	03/23/87	ALD