

NOTE #1: ALL NUMBERS IN () = ALTO-SHAAN PART NO'S
 NOTE #2: SEE #3003576 FOR WIRE ASSEMBLY

7	6722	Power Supply Modification	10/08/13	TJG
6	6722	Power Supply Upgrade	07/22/13	TJG
5	-	Remove Voltage Charts	4/12/13	TJG
REV	ECO	DESCRIPTION	DATE	APP

ED2(SYS)-48/2S, 208-240V 1PH 50/60HZ

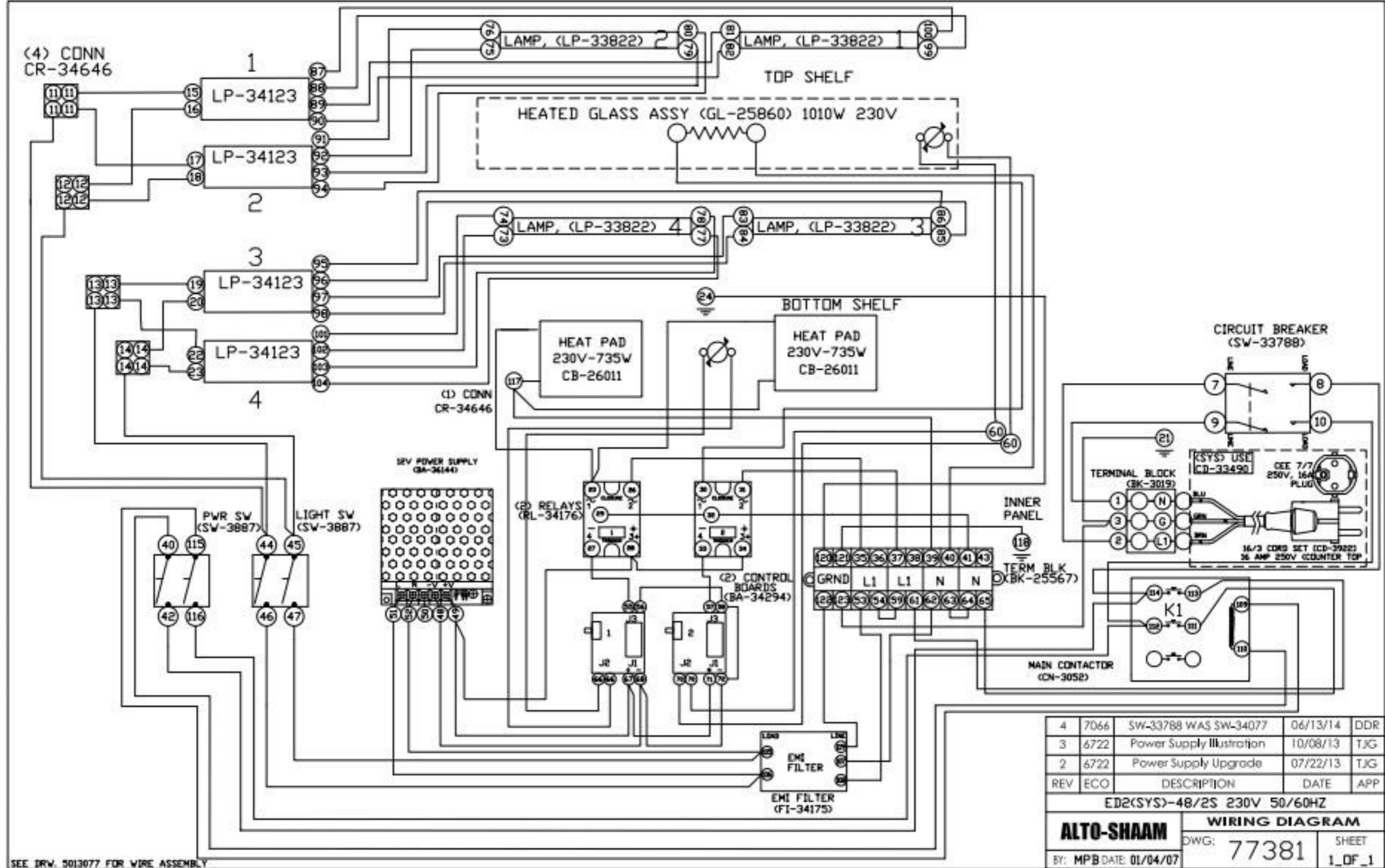
ALTO-SHAAN

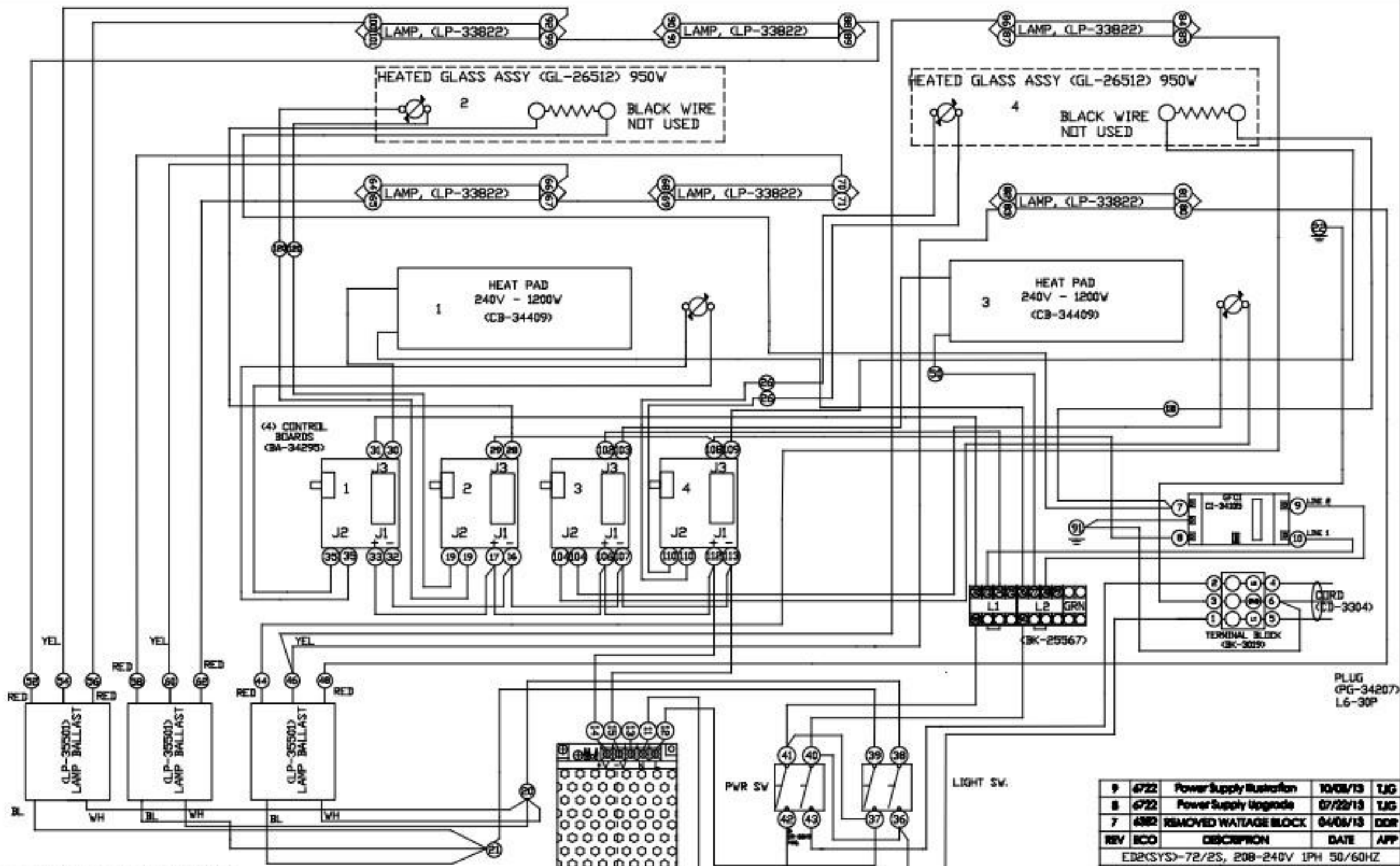
WIRING DIAGRAM

By MPB DATE 9/14/06

DWG: 7830

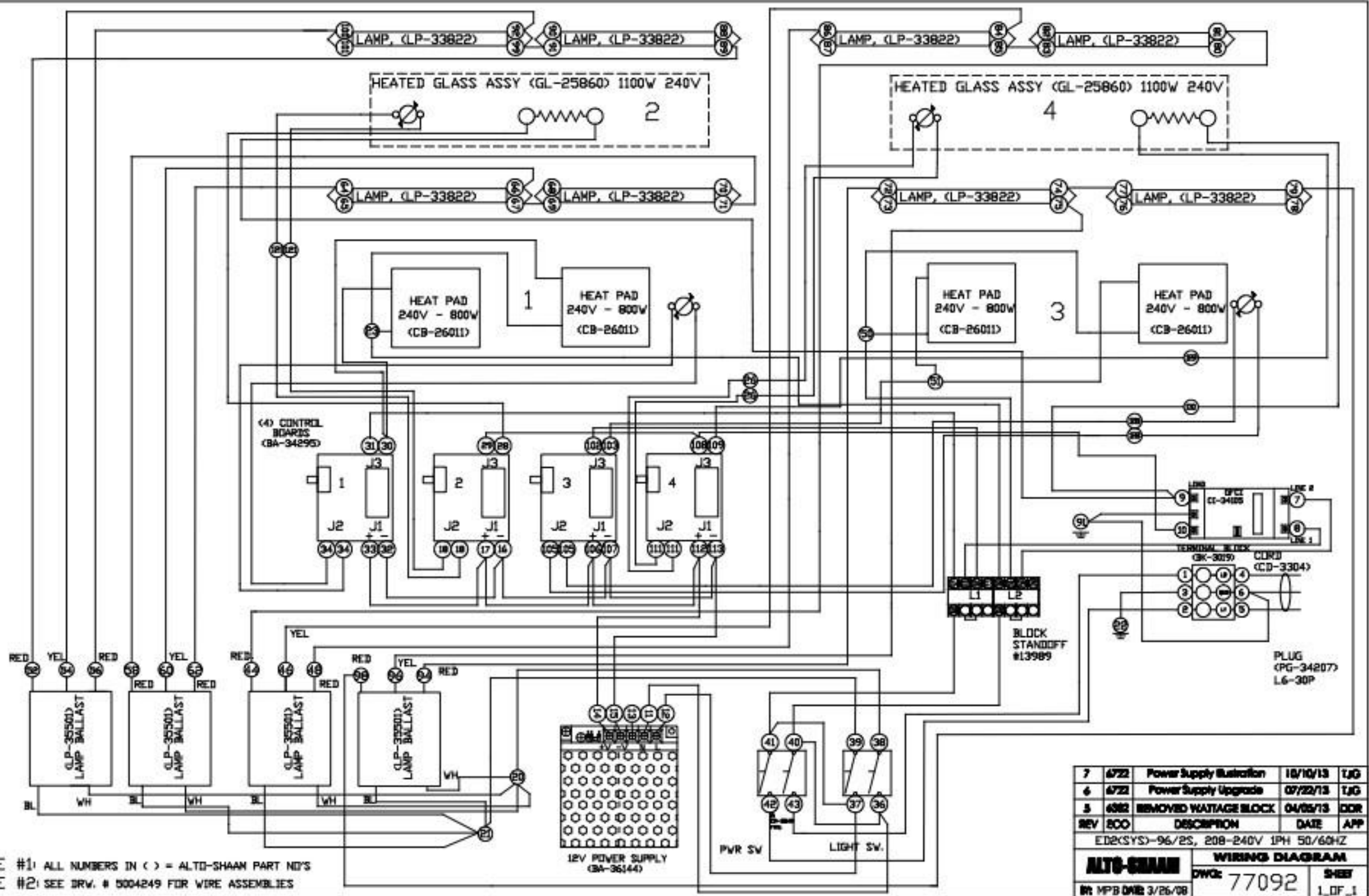
SHEET 1_OF_1





NOTE #1: ALL NUMBERS IN () = ALTO-SHAM PART NO'S
 NOTE #2: SEE DRW. # 5005048 FOR WIRE ASSEMBLIES

9	6722	Power Supply Revision	10/08/13	TJG
8	6722	Power Supply Upgrade	07/22/13	TJG
7	6882	REMOVED WATTAGE BLOCK	04/08/13	DDR
REV	ECO	DESCRIPTION	DATE	APP
ED2(SYS)-72/2S, 208-240V 1PH 50/60HZ				
ALTO-SHAM			WIRING DIAGRAM	
DWG: 77090			SHEET	
MFB003 3/6/08			1_OF_1	



REV	ECO	DESCRIPTION	DATE	APP
7	672	Power Supply Illustration	10/10/13	TJG
6	672	Power Supply Upgrade	07/22/13	TJG
5	682	REMOVED WATTAGE BLOCK	04/05/13	DDR
ED2(SYS)-96/2S, 208-240V 1PH 50/60HZ				
ALTO-SHAAM		WIRING DIAGRAM		
DRW: 77092		SHEET		
BY MPB DMB 3/26/08		1_DF_1		