



CTX4-10 Series

CTX 4-10E, CTX 4-10EC,
CTX 4-10EVH



Manufacturer's Information

Copyright

© Copyright 05/25 by Alto-Shaam, Inc.
 All rights reserved.
 This manual or any portion thereof may not be reproduced or used in any manner whatsoever without the express written permission of Alto-Shaam, Inc.

Trademarks

All trademarks referenced in this documentation are the property of their respective owners.

Manufacturer

Alto-Shaam, Inc.
 P.O. Box 450
 W164 N9221 Water Street
 Menomonee Falls, WI 53052

Models Covered

CTX 4-10E CTX 4-10EC CTX 4-10EVH	US (UL Certified) Models
--	--------------------------

Serial Number

The unit serial number is required for identifying and ordering the correct service parts.
 Record the unit serial number below for reference.

Serial Number
[Empty field for recording serial number]

Parts Finder Tool

Interactive diagrams from this Parts Manual are available online at our Parts Finder Tool:
<https://www.alto-shaam.com/en/customer-support/parts>.
 Or, scan the QR code below.



Parts Ordering Information

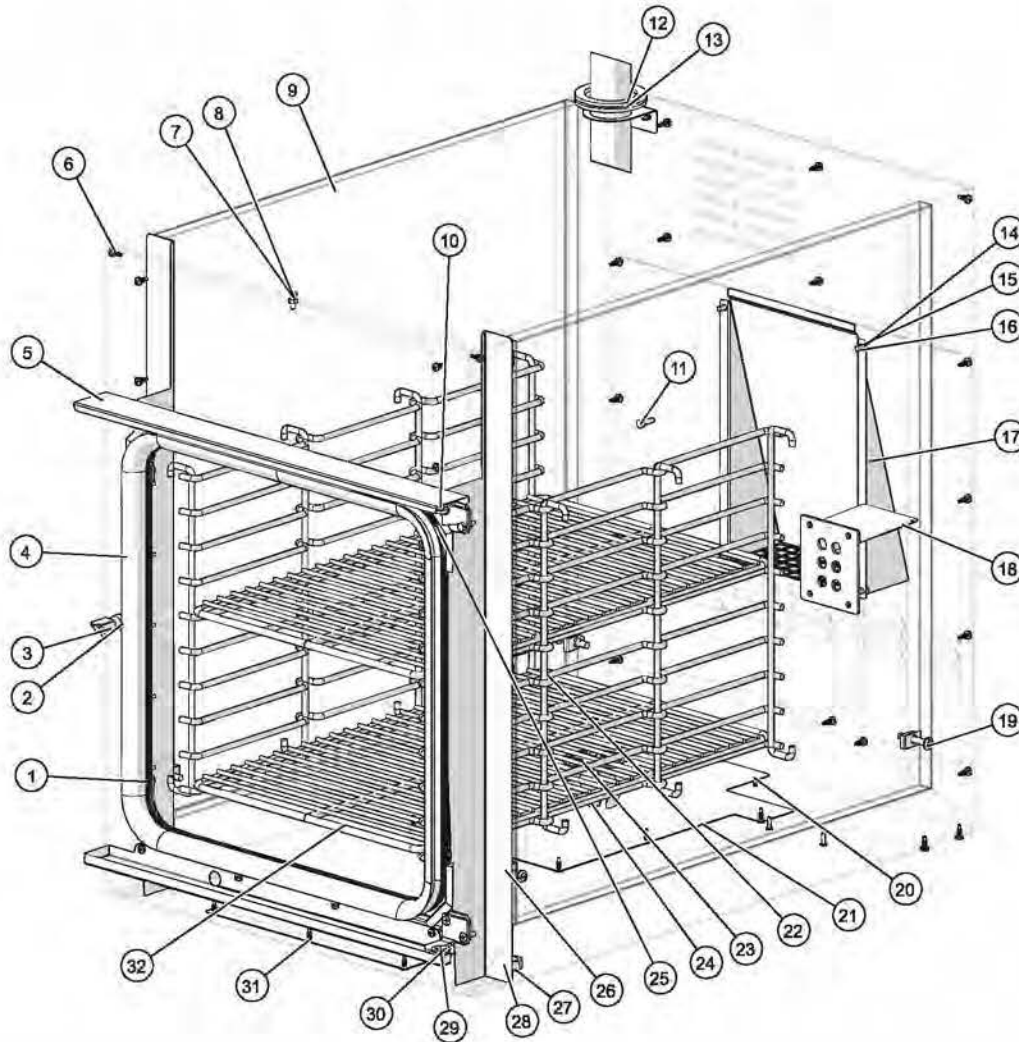
Original manufacturer's replacement parts may be ordered directly from the Alto-Shaam network of Authorized Service Agents and Parts Distributors. Follow this link for a map to a local partner: <https://www.alto-shaam.com/en/how-to-buy>. If you are an Authorized Service Agent or Parts Distributor, please submit your purchase order to parts@alto-shaam.com.

Non-OEM parts may be substituted; however, these parts must be of equal quality and specifications as those provided by Alto-Shaam.

Table of Contents

Manufacturer's Information.....	2	Electrical Package, Browning Bar Add-On (120V, 208-240V).....	44
Table of Contents	3	Electrical Package, Browning Bar Add-On (380-415V)	45
Core Package, Right-Hand, Simple.....	4	Cords and Plugs	46
Core Package, Left-Hand (simple)	5	Inner Tube Package with No Vent Valve	47
Core Package, Right-Hand.....	6	Inner Tube Package with Vent Valve	48
Core Package, Right-Hand (rear view)	7	Inner Tube Package with Vent Valve and Browning Bar.....	49
Core Package, Left-Hand	8	Inner Tube Package, Domestic with Catalyst	50
Core Package, Left-Hand (rear view).....	9	Inner Tube Package, Domestic with Smoker	51
Core Package, Right-Hand Units with Hood	10	Inner Tube Package, Domestic with Browning Bar & Smoker	52
Core Package, Left-Hand Units with Hood	11	Inner Tube Package, Domestic with Catalyst & Browning Bar.....	53
Core Package, Right-Hand Units with 2-Step Latch	12	Inner Tube Package, International with Catalyst.....	54
Door Assembly, Right-Hand	13	Inner Tube Package, International with Smoker	55
Door Assembly, Right-Hand, Units with Hood	14	Inner Tube Package, International with Catalyst & Browning Bar	56
Door Assembly, Left-Hand.....	15	Inner Tube Package, International with Browning Bar & Smoker.....	57
Door Assembly, Left-Hand Units with Hood	16	Exhaust Kit, High Moisture.....	58
Hood Assembly	17	Probe Assembly, Single Point	59
Hood Assembly (left rear view).....	18	Probe Package, Detachable	60
Hood Assembly (right rear view)	19	Control Assembly, Simple (CTX 4-10ESI).....	61
Hood Latch Cover Package.....	20	Control Assembly, Right-Hand	62
Electrical Package, 208V 1Ph, Simple	21	Control Assembly, Right-Hand with Hood	63
Electrical Package, 208V 1Ph, 60 Hz.....	22	Control Assembly, Left-Hand	64
Electrical Package, 240V 1Ph, 60 Hz, Simple	23	Control Assembly, Left-Hand with Hood.....	65
Electrical Package, 240V 1Ph, 60 Hz, Express Touch.....	24	Plumbing Package, Simple, No Cleaning	66
Electrical Package, 220-240V 1Ph, 50 Hz, Express Touch.....	25	Plumbing Package, Simple, With Cleaning	67
Electrical Package, 208-240V 3Ph, 60 Hz, Simple	26	Plumbing Package, Simple, With Cleaning (rear view).....	68
Electrical Package, 208-240V 3Ph, 60 Hz, Express Touch.....	27	Plumbing Package, Express Touch, No Cleaning.....	69
Electrical Package, 380-415V 3Ph, 50/60 Hz, Simple	28	Plumbing Package, Express Touch, With Cleaning.....	70
Electrical Package, 380-415V 3Ph, 50/60 Hz, Express Touch.....	29	Plumbing Package, Express Touch, With Cleaning (rear view)	71
Electrical Chassis, 208V 1Ph, Simple.....	30	Hand Sprayer Kit (5014743R).....	72
Electrical Chassis, 208V 1Ph, Simple (end view).....	31	Leg Package, 4" (102mm) Bullet.....	73
Electrical Chassis, 208V 1Ph, Express Touch	32	Leg Package, 6" (152mm) Bullet.....	74
Electrical Chassis, 208V 1Ph, Express Touch (end view)	33	Leg Package, 6" (152mm) Seismic.....	75
Electrical Chassis, 208-240V 1Ph, Simple	34	Caster Package, 5" (127mm).....	76
Electrical Chassis, 208-240V 1Ph, Simple (end view)	35	Stand Package with Seismic Feet	77
Electrical Chassis, 208-240V 3Ph, Simple	36	Wheeled Cart	78
Electrical Chassis, 208-240V 3Ph, Simple (end view)	37	Factory Stacking Kit.....	79
Electrical Chassis, 208-240V 3Ph, Express Touch.....	38	Stacking Kit, Top Unit Only.....	80
Electrical Chassis, 208-240V 3Ph, Express Touch (end view)	39		
Electrical Chassis, 380-415V 3Ph, Simple	40		
Electrical Chassis, 380-415V 3Ph, Simple (end view)	41		
Electrical Chassis, 380-415V 3Ph, Express Touch.....	42		
Electrical Chassis, 380-415V 3Ph, Express Touch (end view)	43		

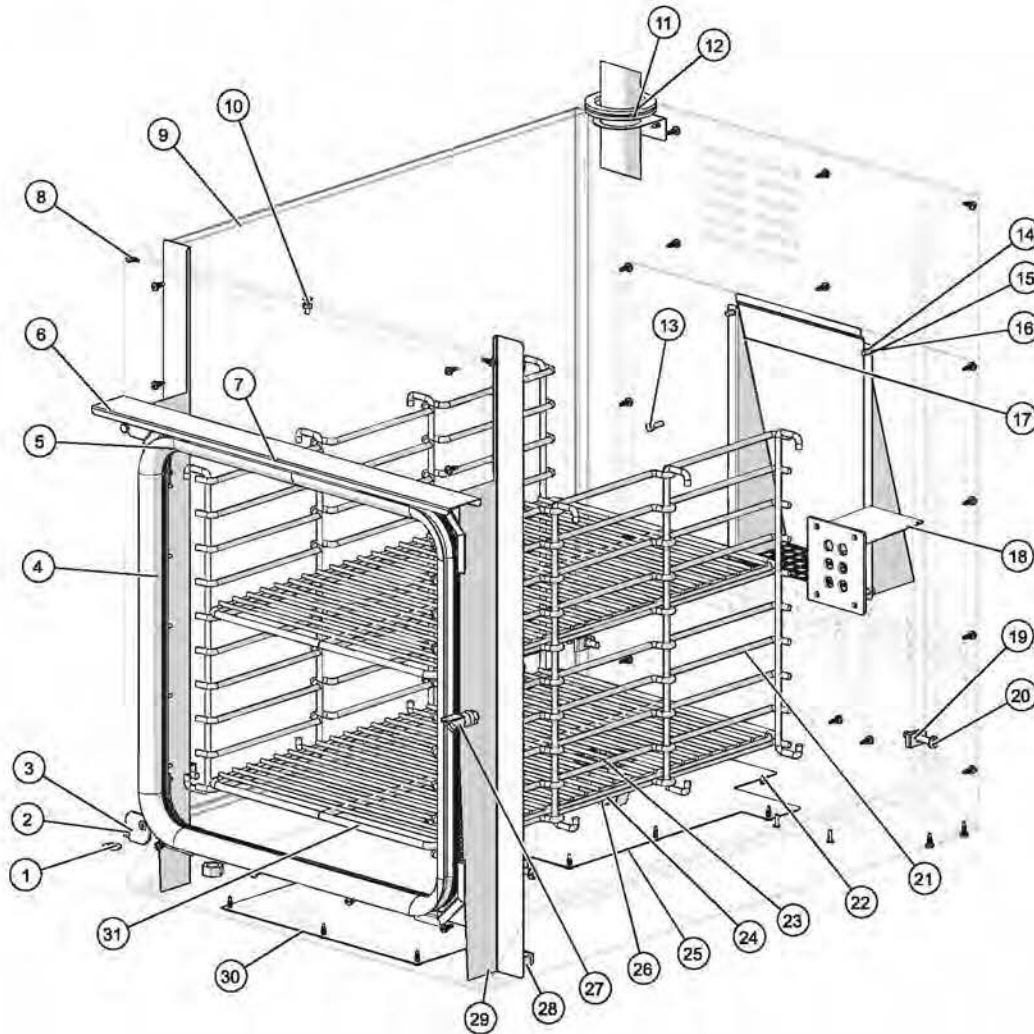
Core Package, Right-Hand, Simple



ID	Part No.	Description	Qty
1	RI-27108	RIVET, SEALED	28
2	NU-22292	M8-1.25, HEX NUT 18-8, DIN #934	2
3	LT-38342	LATCH, DOOR, DOG, LONG NOSE	1
4	5014123	GASKET, DOOR	1
5	1012798	DEFLECTOR STRIP	1
6	SC-38693	SCREW, #8-18 X 1/2", PHIL, PAN	46
7	SC-22281	SCREW, M5x0.8X16MM FLAT	3
8	NU-22289	NUT, M5-0.8 HEX NUT 18-8 DIN # 934	1
9	1012268	PANEL, SIDE ACCESS S/S	2
10	1012300	PLATE, HINGE DOOR	1
11	SC-22926	SCREW, M5x0.8x16MM HEX	3
12	BU-28391	BUSHING, SOCKET, MEMBRANE	1
13	5014726	WELD ASB, VENT TUBE	1
14	SC-22766	SCREW, M5x0.8X10MM PAN	4
15	WS-22301	WASHER, M5 SPLIT LOCK	4
16	WS-22295	WASHER, FLAT M5 S/S	4
17	1015490	VENT, AIR	1
18	1012981	COVER, ELEMENT SPLASH	1
19	SC-39832	SCREW, 1/4-20X1 1/2", PAN	4
20	NU-22286	M4-0.7 HEX NUT 18-8	2
21	5021983	STUD WELDMENT, COND TANK COVER	1
22	SR-29802	SIDE RACK, WIRE, S/S	2
23	DA-2943	DRAIN SCREEN ASSY	1
24	WS-22302	WASHER, SPLIT LOCK, M6, 18-8 SST	1
25	1012295	BRACKET, GASKET CORNER CHANNEL	4
26	NU-24004	NUT, U-STYLE 1/4-20 THREADED	4
27	NU-27085	M12 HEX NUT	2
28	1012637	BRACKET, AIR TUNNEL	2
29	1012822	PLATE, HINGE, DOOR	1
30	WS-46618	WASHER, NYLON, FOR 7/16" SCREW	1
31	1013370	PANEL, ACCESS BOTTOM	1
32	SH-2903	SHELF, S/S 6-10, 10-10, 20-10	2

5019061_8

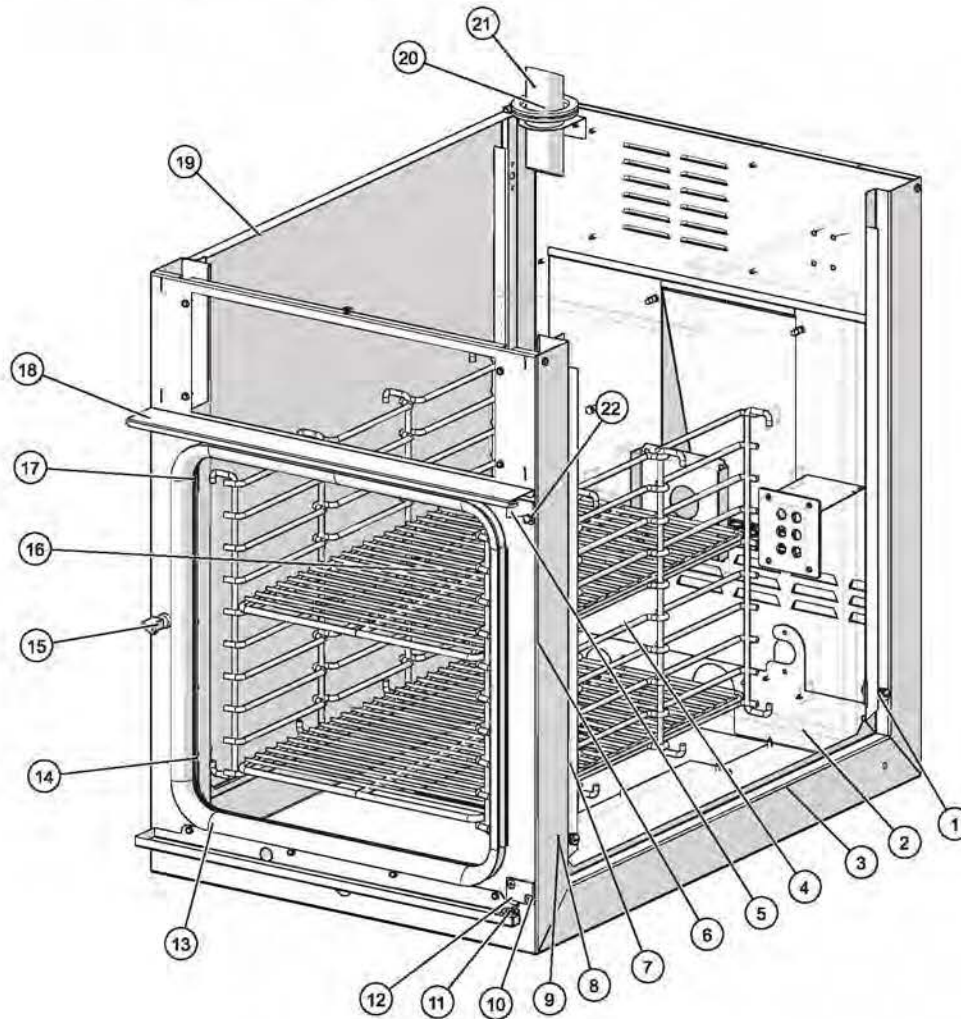
Core Package, Left-Hand (simple)



ID	Part No.	Description	Qty
1	WS-46616	WASHER, NYLON, FOR 7/16" SCREW	1
2	SC-22281	SCREW, M5x0.8X16MM FLAT	3
3	1012834	PLATE, DOOR HINGE BACKER	2
4	5014123	GASKET, DOOR	1
5	1012295	BRACKET, GASKET CORNER CHANNEL	4
6	1012798	DEFLECTOR STRIP	1
7	RI-27108	RIVET, SEALED	28
8	SC-38693	SCREW, #8-18 X 1/2", PHIL, PAN	46
9	1012268	PANEL, SIDE ACCESS S/S	1
10	NU-22289	NUT, M5-0.8 HEX NUT 18-8 DIN # 934	1
11	5014726	WELD ASB, VENT TUBE	1
12	BU-28391	BUSHING, SOCKET, MEMBRANE	1
13	SC-22926	SCREW, M5x0.8x16MM HEX	3
14	WS-22301	WASHER, M5 SPLIT LOCK	4
15	WS-22295	WASHER, FLAT M5 S/S	4
16	SC-22766	SCREW, M5x0.8X10MM PAN	4
17	1015490	VENT, AIR	1
18	1012981	COVER, ELEMENT SPLASH	1
19	NU-24004	NUT, U-STYLE 1/4-20 THREADED	4
20	SC-39832	SCREW, 1/4-20X1 1/2", PAN	4
21	SR-29602	SIDE RACK, WIRE, S/S	2
22	NU-22286	M4-0.7 HEX NUT 18-8	2
23	DA-2943	DRAIN SCREEN ASSY	1
24	NU-22292	M8-1.25, HEX NUT 18-8, DIN #934	2
25	5021983	STUD WELDMENT, COND TANK COVER	1
26	WS-22302	WASHER, SPLIT LOCK, M6, 18-8 SST	1
27	LT-38342	LATCH, DOOR, DOG, LONG NOSE	1
28	NU-27085	M12 HEX NUT	2
29	1012637	BRACKET, AIR TUNNEL	2
30	1013370	PANEL, ACCESS BOTTOM	1
31	SH-2903	SHELF, S/S 6-10, 10-10, 20-10	2

5019064_8

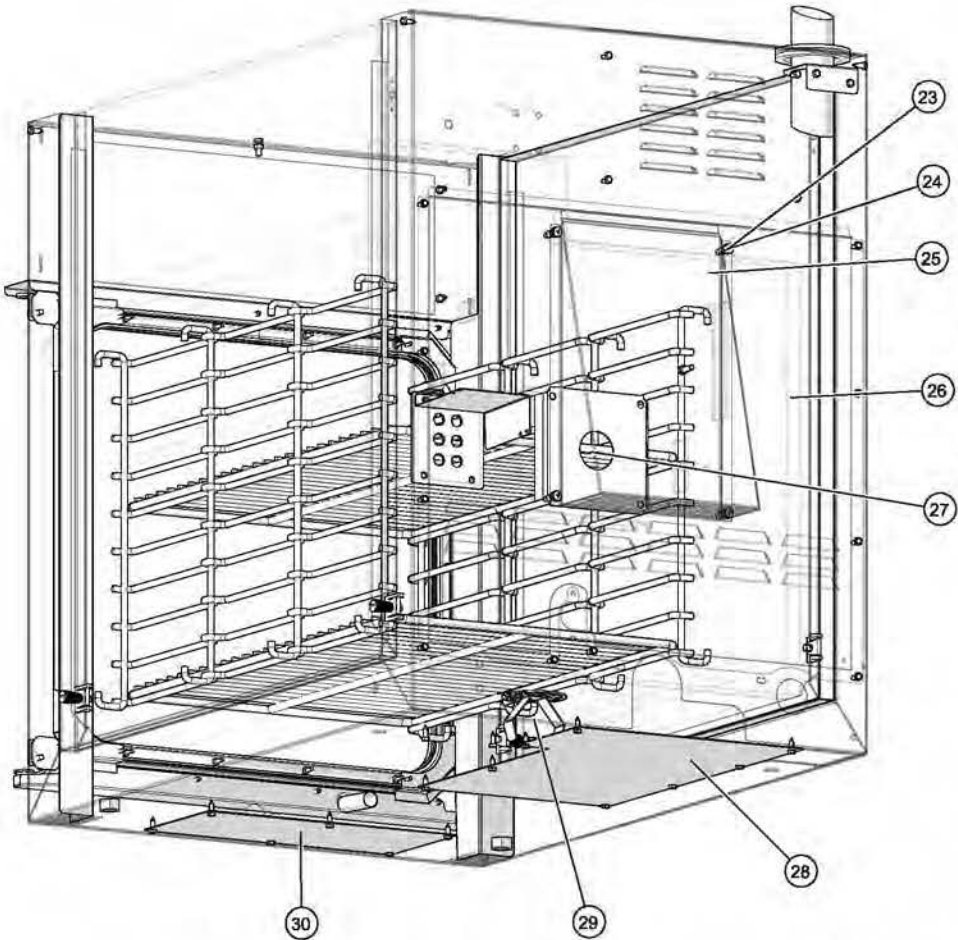
Core Package, Right-Hand



ID	Part No.	Description	Qty
1	SD-22194	SPRING, CT M6 X 48, SAFETY	4
2	5015470	INSULATION KIT, 4.10ESI	1
3	SC-29871	SCREW,#8X1/2" HEX FLG	47
4	SR-29602	SIDE RACK, WIRE, S/S	2
5	1012300	PLATE, HINGE DOOR	1
6	1012637	BRACKET, AIR TUNNEL	2
7	NU-22292	M8-1.25, HEX NUT 18-8, DIN #934	1
8	CL-22196	CLIP, CT,HOLDING, M6	4
9	WS-22195	WASHER, SAFETY, STEEL	4
10	SC-22281	SCREW,M5x0.8X16MM FLAT	3
11	WS-46616	WASHER, NYLON, FOR 7/16" SCREW	1
12	1012822	PLATE, HINGE, DOOR	1
13	5014123	GASKET, DOOR	1
14	ST-22193	STUD,CT M6 X 27 MM, 1/4 TURN	4
15	LT-38342	LATCH, DOOR, DOG, LONG NOSE	1
16	SH-2903	SHELF, S/S 6-10,10-10,20-10	2
17	RI-27108	RIVET, SEALED	26
18	1012798	DEFLECTOR STRIP	1
19	1012268	PANEL, SIDE ACCESS S/S	2
20	BU-28391	BUSHING, SOCKET, MEMBRANE	1
21	5014726	WELD ASB, VENT TUBE	1
22	SC-22926	SCREW, M5x0.8x16MM HEX	3

5015305_18

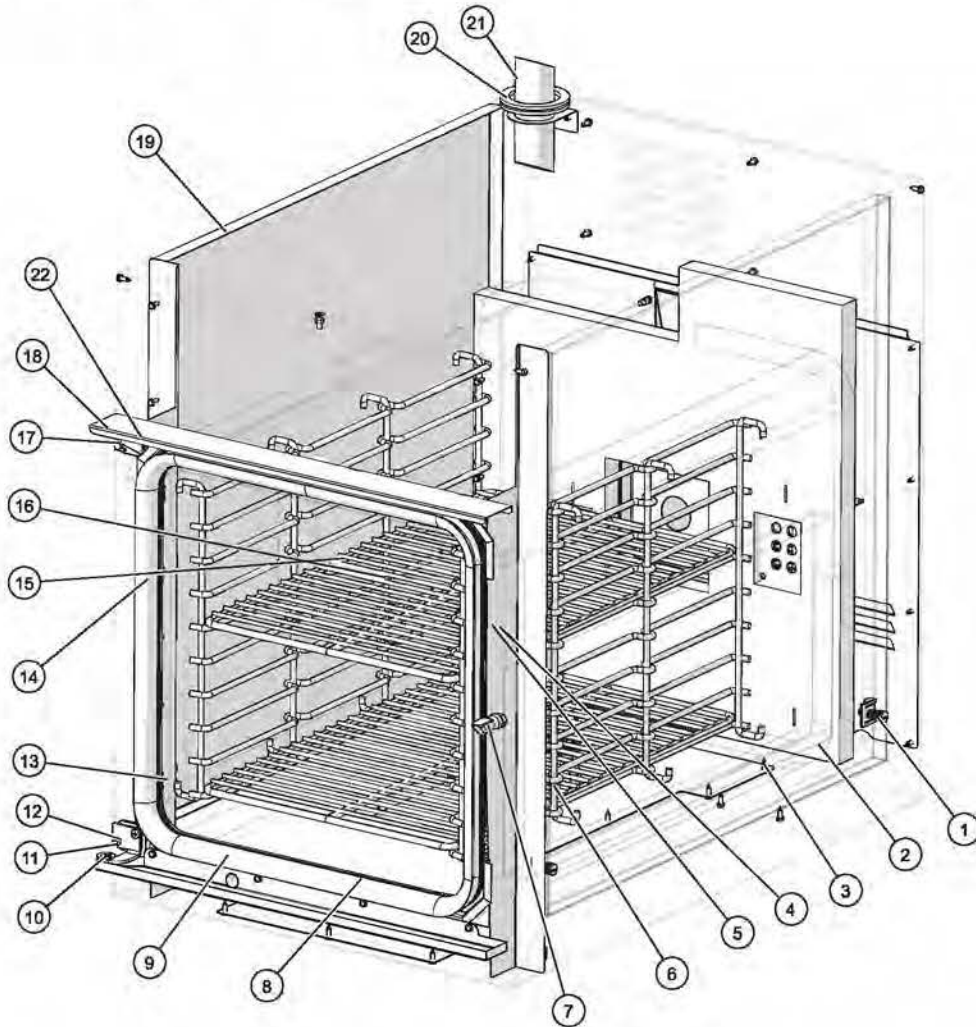
Core Package, Right-Hand (rear view)



ID	Part No.	Description	Qty
23	WS-22301	WASHER, M5 SPLIT LOCK	4
24	SC-22779	SCREW, M5x0.8X20MM PAN	4
25	1015490	VENT, AIR	1
26	5017990	BACK PNL WITH INSERTS, CTX	1
27	1012382	BRACKET, MOTOR MOUNT	1
28	1013359	COVER, CONDENSOR TANK	1
29	DA-2943	DRAIN SCREEN ASSY	1
30	1013370	PANEL, ACCESS BOTTOM	1

5015305DV1_18

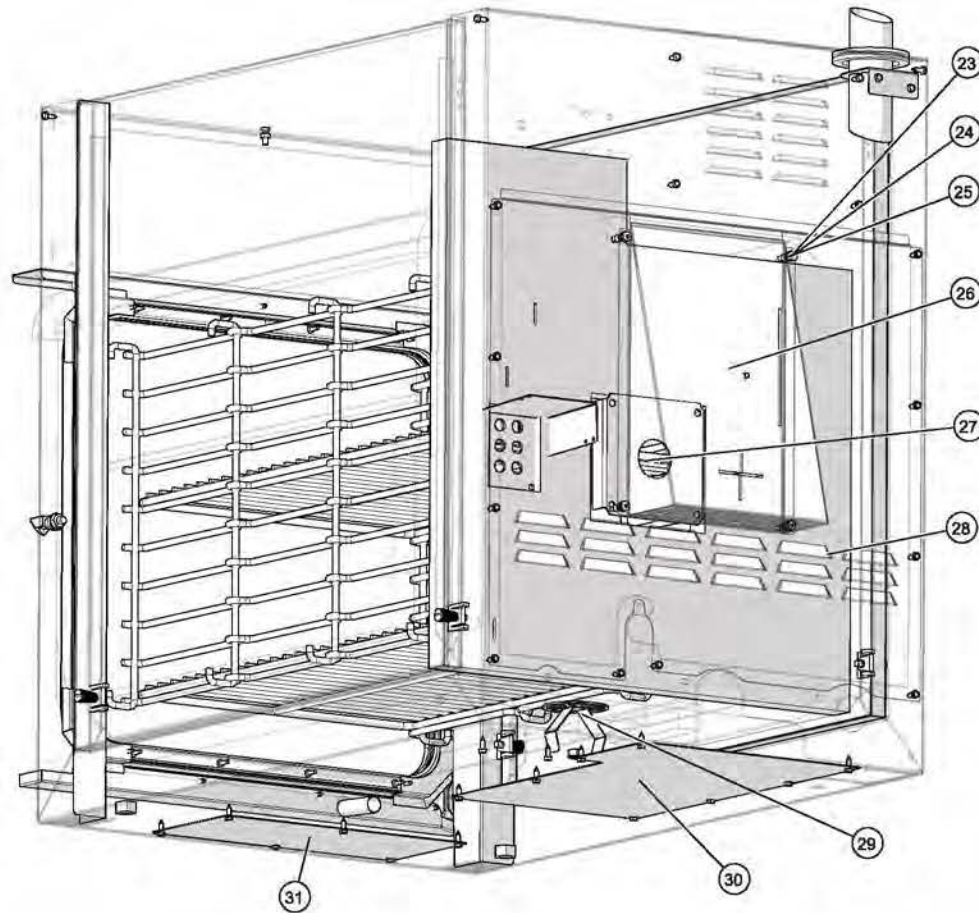
Core Package, Left-Hand



ID	Part No.	Description	Qty
1	SD-22194	SPRING, CT M6 X 48, SAFTY	4
2	5015470	INSULATION KIT, 4.10ESI	1
3	SC-29871	SCREW,#8X1/2" HEX FLG	47
4	CL-22196	CLIP, CT,HOLDING, M6	4
5	ST-22193	STUD,CT M6 X 27 MM, 1/4 TURN	4
6	NU-22292	M8-1.25, HEX NUT 18-8, DIN #934	1
7	LT-38342	LATCH, DOOR, DOG, LONG NOSE	1
8	RI-27108	RIVET, SEALED	26
9	5014123	GASKET, DOOR	1
10	WS-46616	WASHER, NYLON, FOR 7/16" SCREW	1
11	1012821	PLATE, HINGE, DOOR	1
12	SC-22281	SCREW,M5x0.8X16MM FLAT	3
13	WS-22195	WASHER, SAFETY, STEEL	4
14	1012637	BRACKET, AIR TUNNEL	2
15	SH-2903	SHELF, S/S 6-10,10-10,20-10	2
16	SR-29602	SIDE RACK, WIRE, S/S	2
17	1012301	PLATE, HINGE, DOOR	1
18	1012798	DEFLECTOR STRIP	1
19	1012268	PANEL, SIDE ACCESS S/S	2
20	BU-28391	BUSHING, SOCKET, MEMBRANE	1
21	5014726	WELD ASB, VENT TUBE	1
22	SC-22926	SCREW, M5x0.8x16MM HEX	3

5015307_18

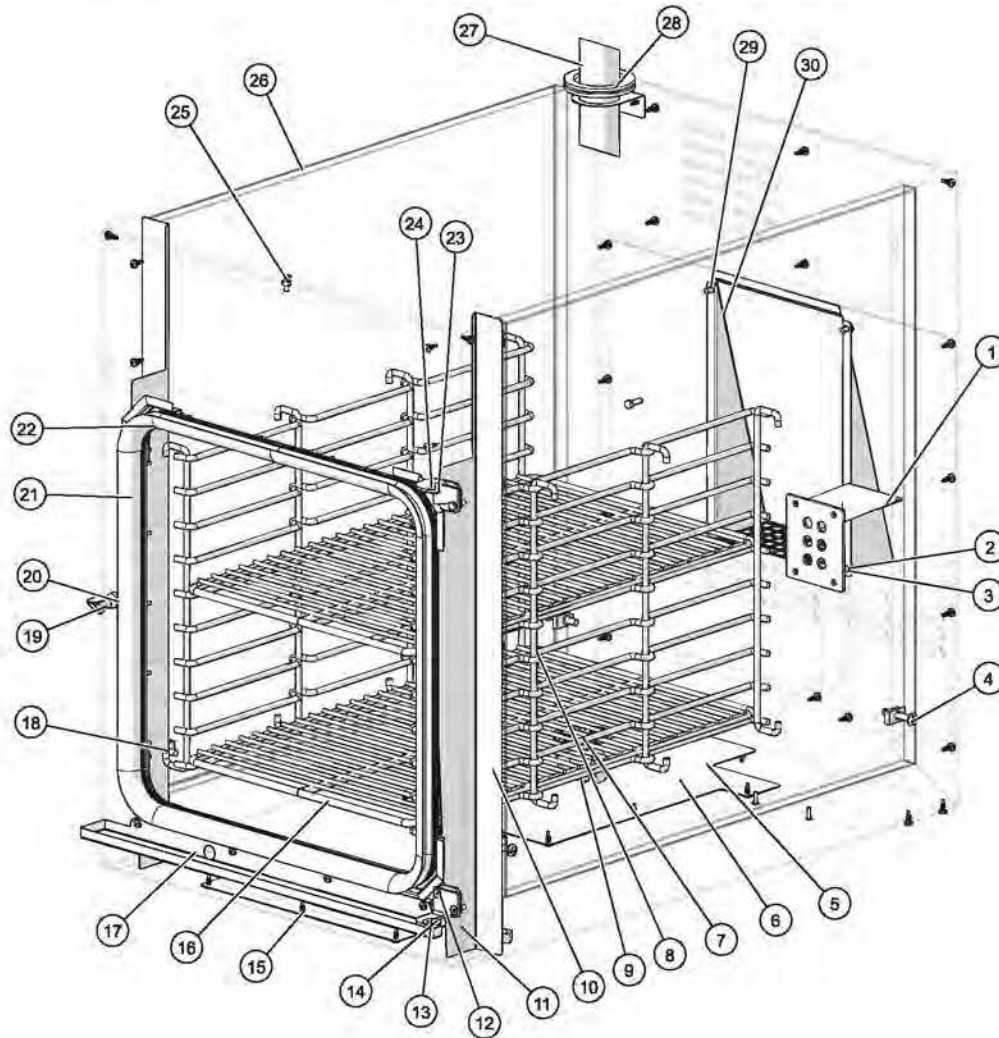
Core Package, Left-Hand (rear view)



ID	Part No.	Description	Qty
23	WS-22295	WASHER, FLAT M5 S/S	4
24	WS-22301	WASHER, M5 SPLIT LOCK	4
25	SC-22779	SCREW, M5x0.8X20MM PAN	4
26	1015490	VENT, AIR	1
27	1012382	BRACKET, MOTOR MOUNT	1
28	5017990	BACK PNL WITH INSERTS, CTX	1
29	DA-2943	DRAIN SCREEN ASSY	1
30	1013359	COVER, CONDENSOR TANK	1
31	1013370	PANEL, ACCESS BOTTOM	1

5015307DV1_18

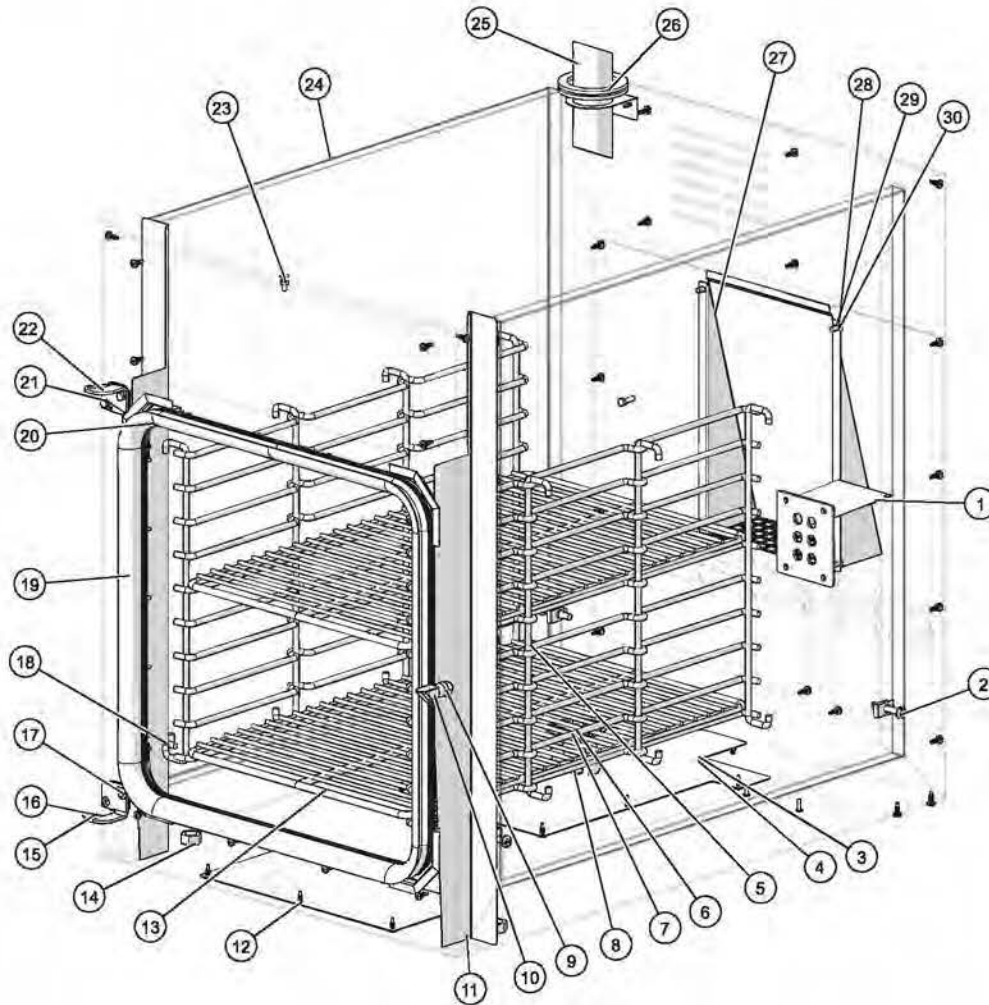
Core Package, Right-Hand Units with Hood



ID	Part No.	Description	Qty
1	1012981	COVER, ELEMENT SPLASH	1
2	SC-22766	SCREW, M5x0.8X10MM PAN	4
3	WS-22295	WASHER, FLAT M5 S/S	4
4	SC-39832	SCREW, 1/4-20X1 1/2", PAN	4
5	NU-22286	M4-0.7 HEX NUT 18-8	2
6	5021983	STUD WELDMENT, COND TANK COVER	1
7	DA-2943	DRAIN SCREEN ASSY	1
8	SR-29602	SIDE RACK, WIRE, S/S	2
9	WS-22302	WASHER, SPLIT LOCK, M6, 18-8 SST	1
10	SC-38693	SCREW, #8-18 X 1/2", PHIL, PAN	43
11	1012637	BRACKET, AIR TUNNEL	2
12	SC-22281	SCREW, M5x0.8X16MM FLAT	3
13	1012822	PLATE, HINGE, DOOR	1
14	WS-46616	WASHER, NYLON, FOR 7/16" SCREW	1
15	1013370	PANEL, ACCESS BOTTOM	1
16	SH-2903	SHELF, S/S 6-10, 10-10, 20-10	2
17	NU-27085	M12 HEX NUT	2
18	NU-24004	NUT, U-STYLE 1/4-20 THREADED	4
19	LT-38342	LATCH, DOOR, DOG, LONG NOSE	1
20	NU-22292	M8-1.25, HEX NUT 18-8, DIN #934	2
21	5014123	GASKET, DOOR	1
22	1012295	BRACKET, GASKET CORNER CHANNEL	4
23	SC-22926	SCREW, M5x0.8x16MM HEX	3
24	1012300	PLATE, HINGE DOOR	1
25	NU-22289	NUT, M5-0.8 HEX NUT 18-8 DIN # 934	1
26	1012268	PANEL, SIDE ACCESS S/S	2
27	5014726	WELD ASB, VENT TUBE	1
28	BU-28391	BUSHING, SOCKET, MEMBRANE	1
29	WS-22301	WASHER, M5 SPLIT LOCK	4
30	1015490	VENT, AIR	1

5023141_8

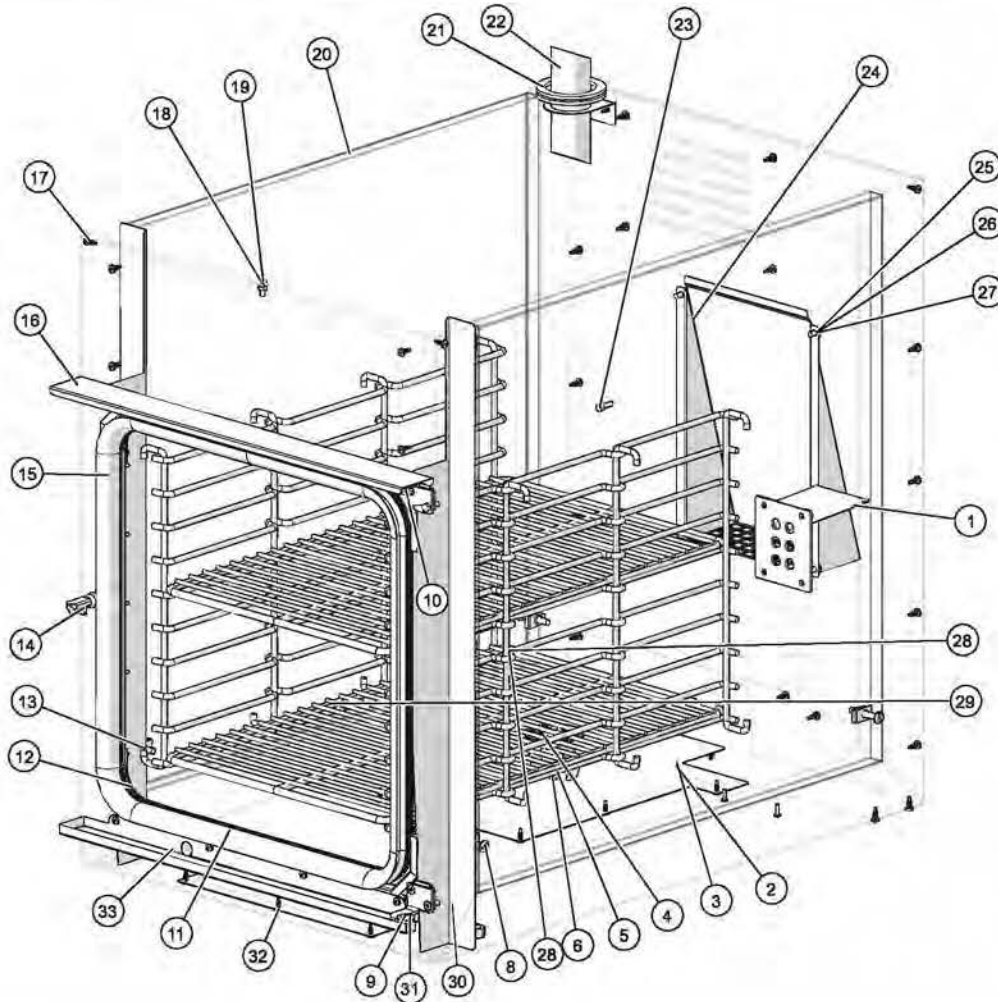
Core Package, Left-Hand Units with Hood



ID	Part No.	Description	Qty
1	1012981	COVER, ELEMENT SPLASH	1
2	SC-39832	SCREW, 1/4-20X1 1/2", PAN	4
3	NU-22286	M4-0.7 HEX NUT 18-8	2
4	5021983	STUD WELDMNT, COND TANK COVER	1
5	SR-29602	SIDE RACK, WIRE, S/S	2
6	DA-2943	DRAIN SCREEN ASSY	1
7	SC-38693	SCREW, #8-18 X 1/2", PHIL, PAN	43
8	WS-22302	WASHER, SPLIT LOCK, M6, 18-8 SST	1
9	NU-22292	M8-1.25, HEX NUT 18-8, DIN #934	2
10	LT-38342	LATCH, DOOR, DOG, LONG NOSE	1
11	1012637	BRACKET, AIR TUNNEL	2
12	1013370	PANEL, ACCESS BOTTOM	1
13	SH-2903	SHELF, S/S 6-10,10-10,20-10	2
14	NU-27085	M12 HEX NUT	2
15	WS-46616	WASHER, NYLON, FOR 7/16" SCREW	1
16	1012821	PLATE, HINGE, DOOR	1
17	SC-22281	SCREW, M5x0.8X16MM FLAT	3
18	NU-24004	NUT, U-STYLE 1/4-20 THREADED	4
19	5014123	GASKET, DOOR	1
20	1012295	BRACKET, GASKET CORNER CHANNEL	4
21	SC-22926	SCREW, M5x0.8x16MM HEX	3
22	1012301	PLATE, HINGE, DOOR	1
23	NU-22289	NUT, M5-0.8 HEX NUT 18-8 DIN # 934	1
24	1012268	PANEL, SIDE ACCESS S/S	2
25	5014726	WELD ASB, VENT TUBE	1
26	BU-28391	BUSHING, SOCKET, MEMBRANE	1
27	1015490	VENT, AIR	1
28	SC-22766	SCREW, M5x0.8X10MM PAN	4
29	WS-22301	WASHER, M5 SPLIT LOCK	4
30	WS-22295	WASHER, FLAT M5 S/S	4

5023143_8

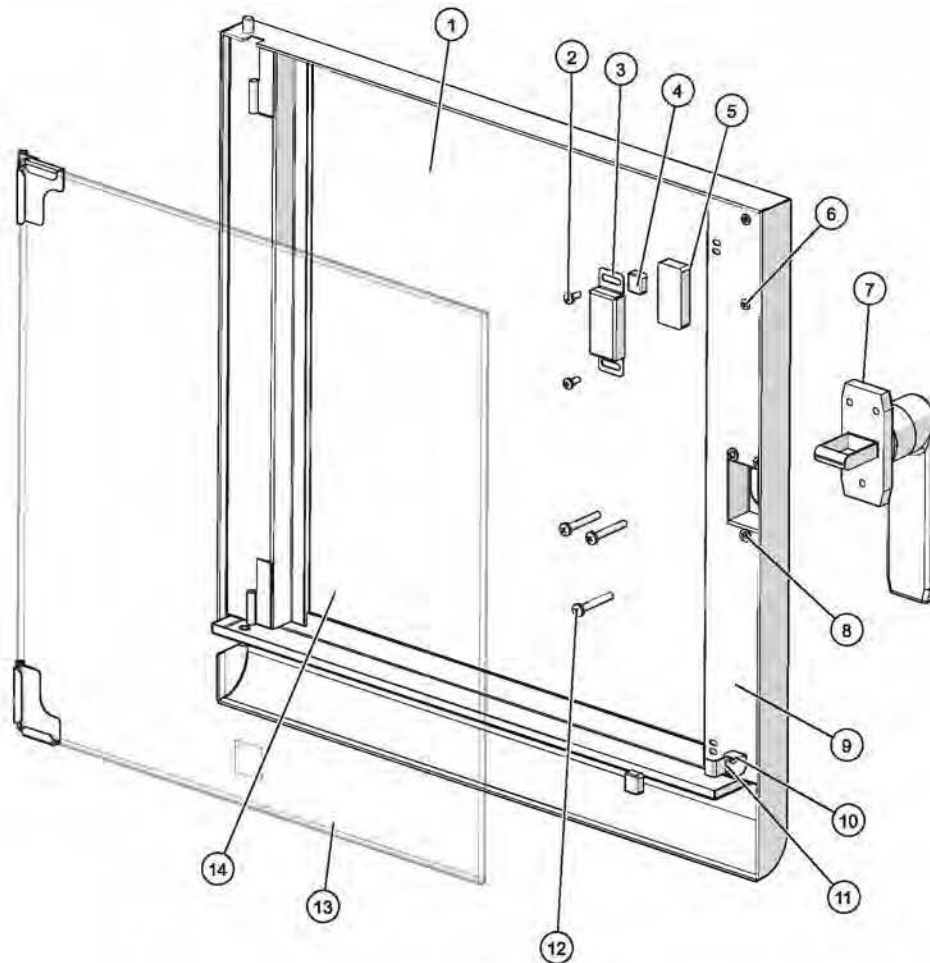
Core Package, Right-Hand Units with 2-Step Latch



ID	Part No.	Description	Qty
1	1012981	COVER, ELEMENT SPLASH	1
2	5021983	STUD WELDMNT, COND TANK COVER	1
3	NU-22286	M4-0.7 HEX NUT 18-8	2
4	DA-2943	DRAIN SCREEN ASSY	1
5	NU-22292	M8-1.25, HEX NUT 18-8, DIN #934	2
6	WS-22302	WASHER, SPLIT LOCK, M6, 18-8 SST	1
8	SC-39832	SCREW, 1/4-20X1 1/2", PAN	4
9	1012822	PLATE, HINGE, DOOR	1
10	1012300	PLATE, HINGE DOOR	1
11	RI-27108	RIVET, SEALED	28
12	1012295	BRACKET, GASKET CORNER CHANNEL	4
13	NU-24004	NUT, U-STYLE 1/4-20 THREADED	4
14	LT-38874	LATCH, DOOR, DOG, LONG NOSE	1
15	5014123	GASKET, DOOR	1
16	1012798	DEFLECTOR STRIP	1
17	SC-38693	SCREW, #8-18 X 1/2", PHIL, PAN	46
18	SC-22281	SCREW, M5x0.8X16MM FLAT	3
19	NU-22289	NUT, M5-0.8 HEX NUT 18-8 DIN # 934	1
20	1012268	PANEL, SIDE ACCESS S/S	2
21	BU-28391	BUSHING, SOCKET, MEMBRANE	1
22	5014726	WELD ASB, VENT TUBE	1
23	SC-22926	SCREW, M5x0.8x16MM HEX	3
24	1015490	VENT, AIR	1
25	WS-22301	WASHER, M5 SPLIT LOCK	4
26	SC-22766	SCREW, M5x0.8X10MM PAN	4
27	WS-22295	WASHER, FLAT M5 S/S	4
28	SR-29602	SIDE RACK, WIRE, S/S	2
29	SH-2903	SHELF, S/S 6-10,10-10,20-10	2
30	1012637	BRACKET, AIR TUNNEL	2
31	WS-46616	WASHER, NYLON, FOR 7/16" SCREW	1
32	1013370	PANEL, ACCESS BOTTOM	1
33	NU-27085	M12 HEX NUT	2

5023427_4

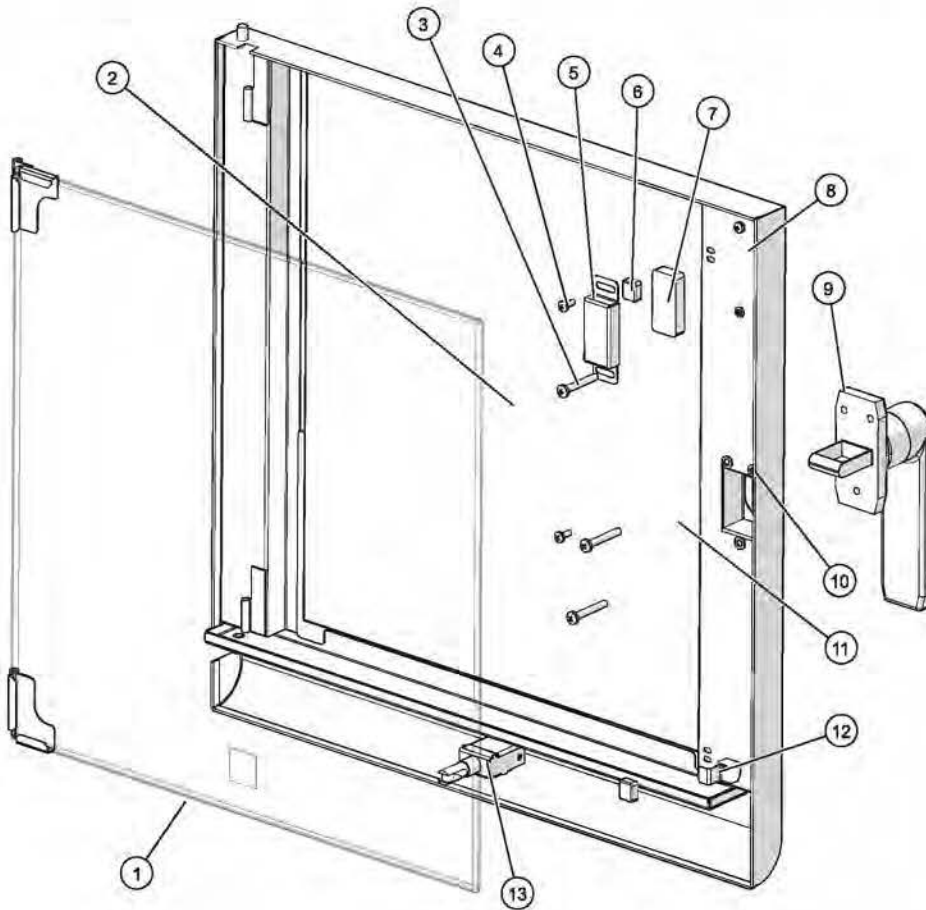
Door Assembly, Right-Hand



ID	Part No.	Description	Qty
1	GL-29868	GLASS, OUTER, DOOR	1
2	SC-22273	SCREW,M4x0.7X10MM PAN	2
3	1007698	COVER, DOOR MAGNET, SINGLE	1
4	SP-36060	SPACER INNER GLASS,DOOR	2
5	MA-25734	MAGNET, DOOR, AR-7E,BLACK	1
6	WS-22300	WASHER, SPLIT LOCK	2
7	HD-29635	HANDLE, DOOR, PENDULUM	1
8	WS-22301	WASHER, M5 SPLIT LOCK S/S 18-8	3
9	5014392	SPOT ASSY, HANDLE MOUNT S/S	1
10	RI-38125	RIVET,SEALED, .125"	1
11	1012299	CLIP, INNER GLASS RH DOOR	1
12	SC-29735	SCREW,M5x0.8X35MM PAN	3
13	5013647	ASSY, INNER GLASS RH DOOR	1
14	TA-25125	TAPE, DUPLOMONT 5'	1

5014304_8

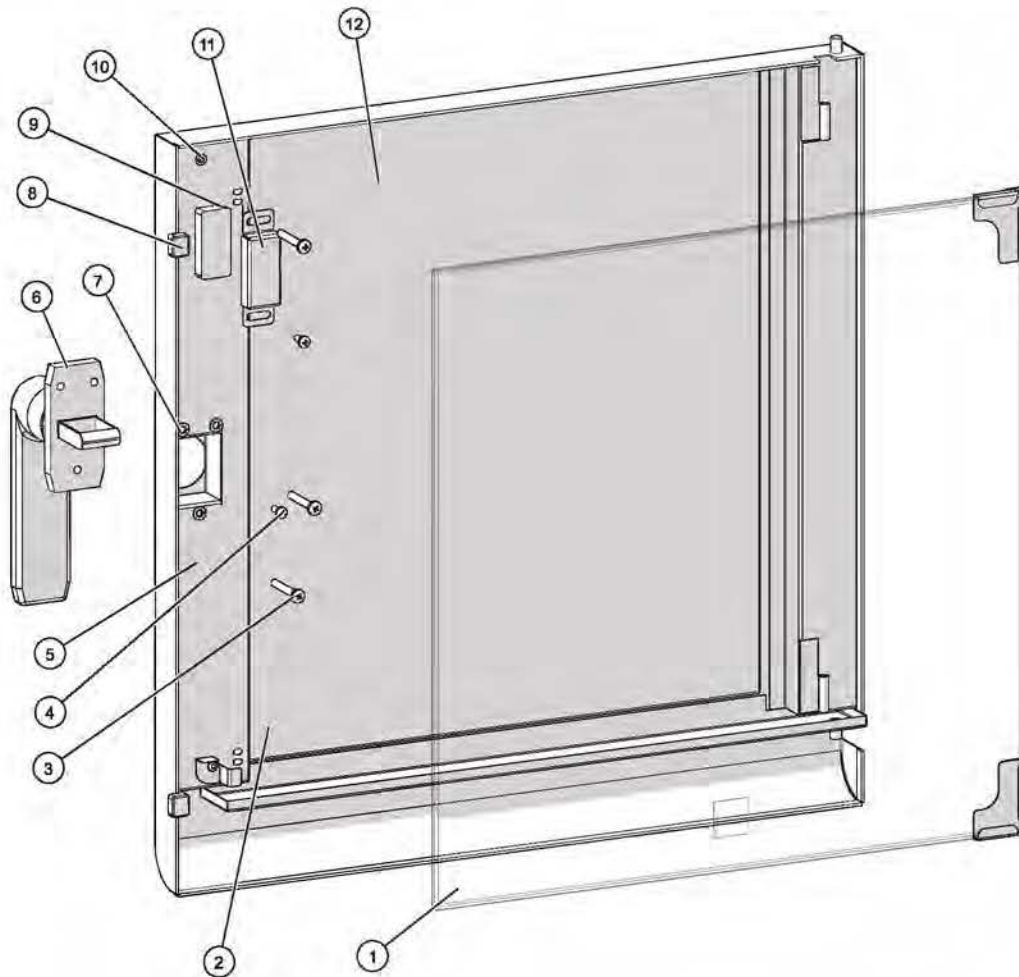
Door Assembly, Right-Hand, Units with Hood



ID	Part No.	Description	Qty
1	5013647	ASSY, INNER GLASS RH DOOR	1
2	TA-25125	TAPE, DUPLOMONT 5'	1
3	SC-29735	SCREW, M5x0.8X35MM PAN	3
4	SC-22273	SCREW, M4x0.7X10MM PAN	2
5	1007698	COVER, DOOR MAGNET, SINGLE	1
6	SP-36060	SPACER INNER GLASS, DOOR	2
7	MA-25734	MAGNET, DOOR, AR-7E, BLACK	1
8	5014392	SPOT ASSY, HANDLE MOUNT S/S	1
9	HD-29635	HANDLE, DOOR, PENDULUM	1
10	WS-22301	WASHER, M5 SPLIT LOCK S/S 18-8	3
11	GL-29868	GLASS, OUTER, DOOR	1
12	1012299	CLIP, INNER GLASS RH DOOR	1
13	5015005	ASSEMBLY, LATCH	1

5015466_4

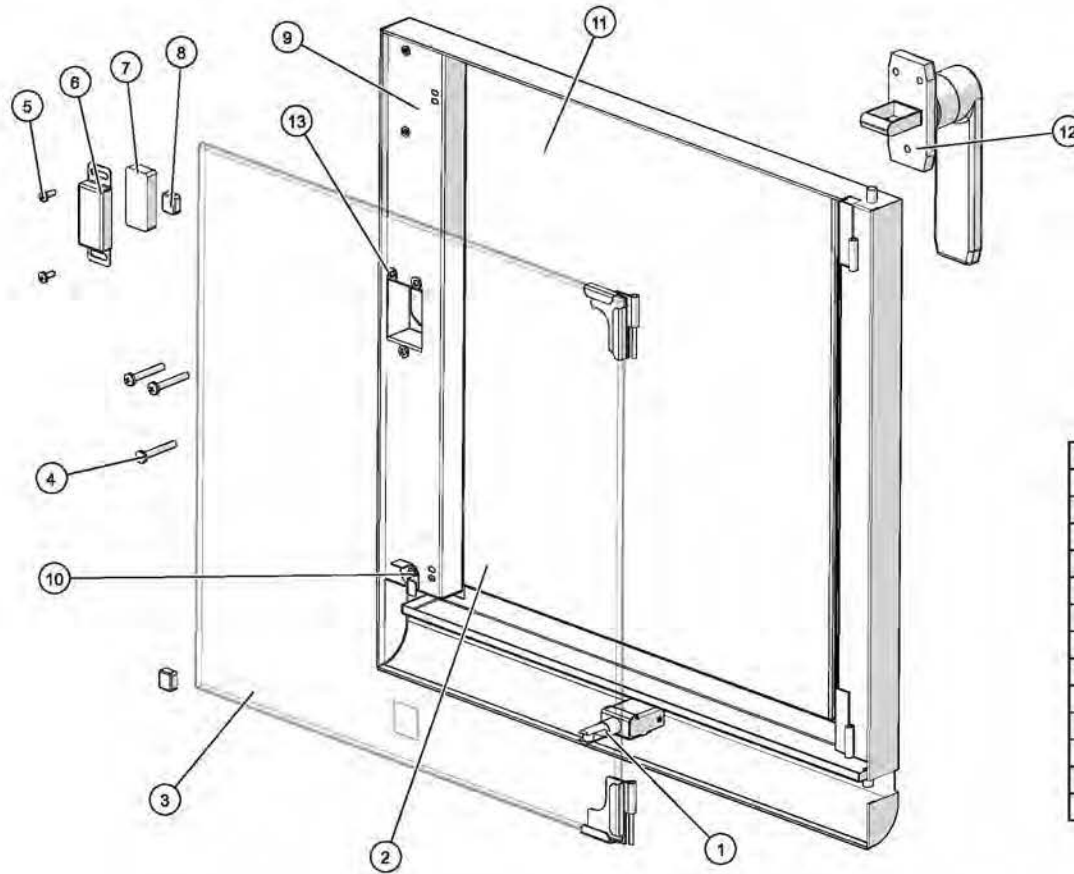
Door Assembly, Left-Hand



ID	Part No.	Description	Qty
1	5014828	ASSY, INNER GLASS LH DOOR	1
2	TA-25125	TAPE, DUPLOMONT 5'	1
3	SC-29735	SCREW,M5x0.8X35MM PAN	3
4	SC-22273	SCREW,M4x0.7X10MM PAN	2
5	5014831	SPOT ASSY, HANDLE MOUNT S/S	1
6	HD-29635	HANDLE, DOOR, PENDULUM	1
7	WS-22301	WASHER, M5 SPLIT LOCK S/S 18-8	3
8	SP-36060	SPACER INNER GLASS,DOOR	2
9	MA-25734	MAGNET, DOOR, AR-7E,BLACK	1
10	WS-22300	WASHER, SPLIT LOCK	2
11	1007698	COVER, DOOR MAGNET, SINGLE	1
12	GL-29868	GLASS, OUTER, DOOR	1

5014748_4

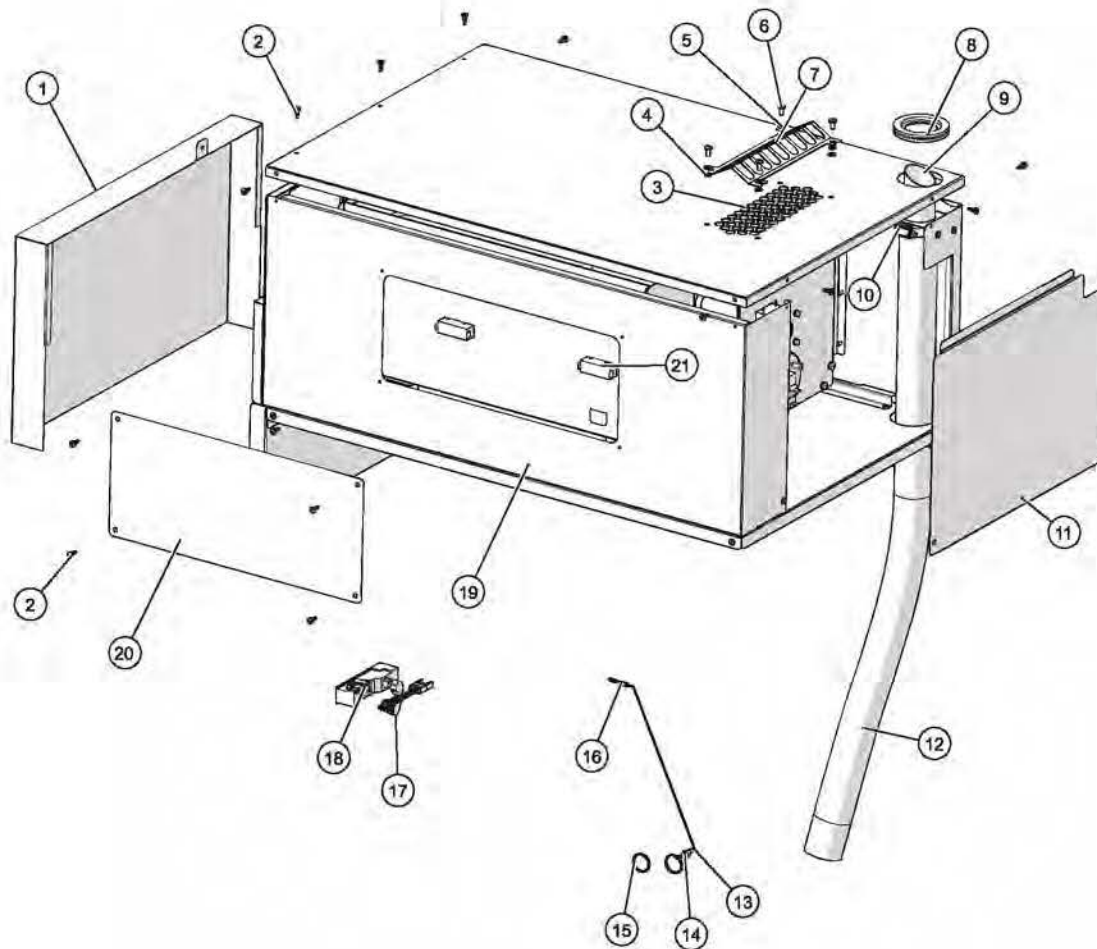
Door Assembly, Left-Hand Units with Hood



ID	Part No.	Description	Qty
1	5015005	ASSEMBLY, LATCH	1
2	TA-25125	TAPE, DUPLOMONT 5'	1
3	5014828	ASSY, INNER GLASS LH DOOR	1
4	SC-29735	SCREW, M5x0.8X35MM PAN	3
5	SC-22273	SCREW, M4x0.7X10MM PAN	3
6	1007698	COVER, DOOR MAGNET, SINGLE	1
7	MA-25734	MAGNET, DOOR, AR-7E, BLACK	1
8	SP-36060	SPACER INNER GLASS, DOOR	2
9	5014831	SPOT ASSY, HANDLE MOUNT S/S	1
10	1013174	CLIP, INNER GLASS LH DOOR	1
11	GL-29868	GLASS, OUTER, DOOR	1
12	HD-29635	HANDLE, DOOR, PENDULUM	1
13	WS-22301	WASHER, M5 SPLIT LOCK S/S 18-8	3

5015584_2

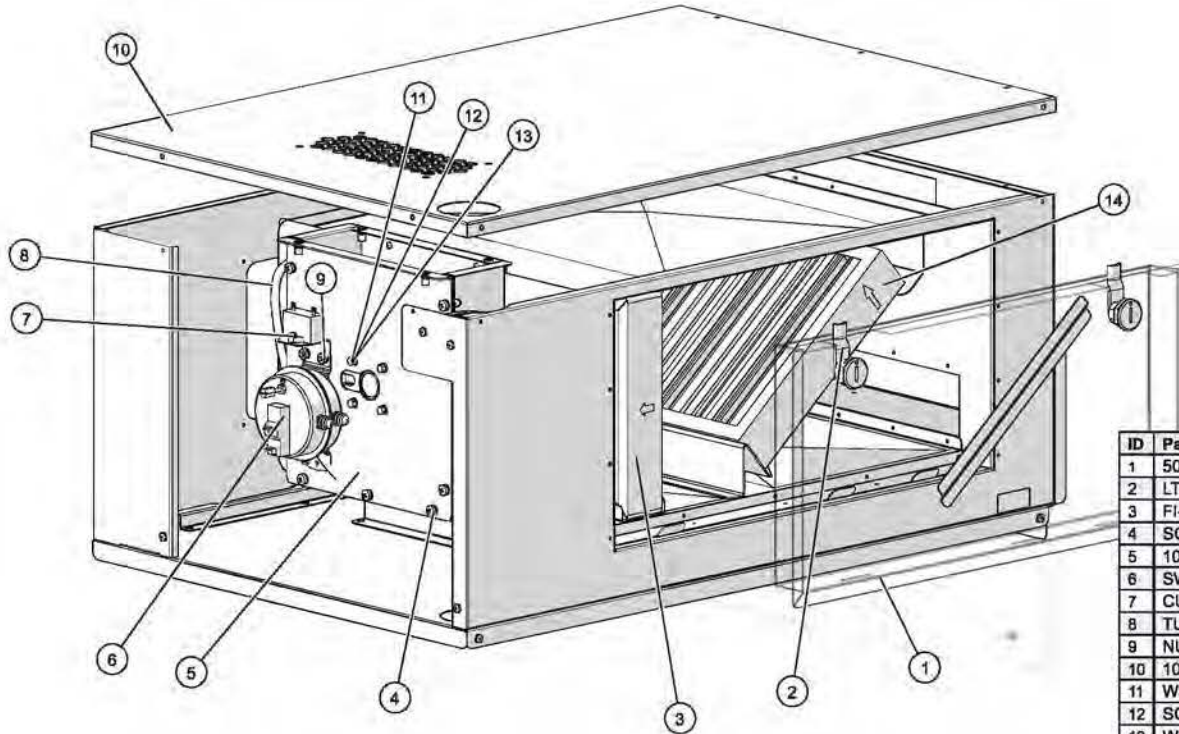
Hood Assembly



ID	Part No.	Description	Qty
1	1013224	SNORKEL, FRONT	1
2	SC-38693	SCREW, #8-18 X 1/2", PHIL, PAN	36
3	1017565	ENCLOSURE, TOP, S/S	1
4	WS-22295	WASHER, FLAT M5 S/S	11
5	WS-22301	WASHER, M5 SPLIT LOCK S/S 18-8	11
6	SC-22766	SCREW, M5x0.8X10MM PAN	5
7	1017566	GUARD, EXHAUST	1
8	BU-28391	BUSHING, SOCKET, MEMBRANE	1
9	1005108	VENT TUBE	1
10	CL-22234	CLAMP, WORM GEAR, 40-60, HOSE	1
11	1013195	COVER, BACK	1
12	HO-29435	HOSE, 1 5/8" ID, 36" LG	1
13	1011021	CABLE, VHES	1
14	BU-3009	BUSHING, SNAP, 5/16"	1
15	PL-28413	PULL, KEY RING, 3/4" MANUAL	2
16	CL-28849	CLIP, CRIMP FOR 1/16" WIRE CABLE	2
17	5015598	LOCK ASSEMBLY	1
18	LK-34292	LOCK ASSEMBLY	1
19	1013192	ENCLOSURE, RIGHT, S/S	1
20	1013196	COVER, SENSOR S/S	1
21	SW-35056	SWITCH, 5A 125-250VAC, 1/10HP	2

5015580_18

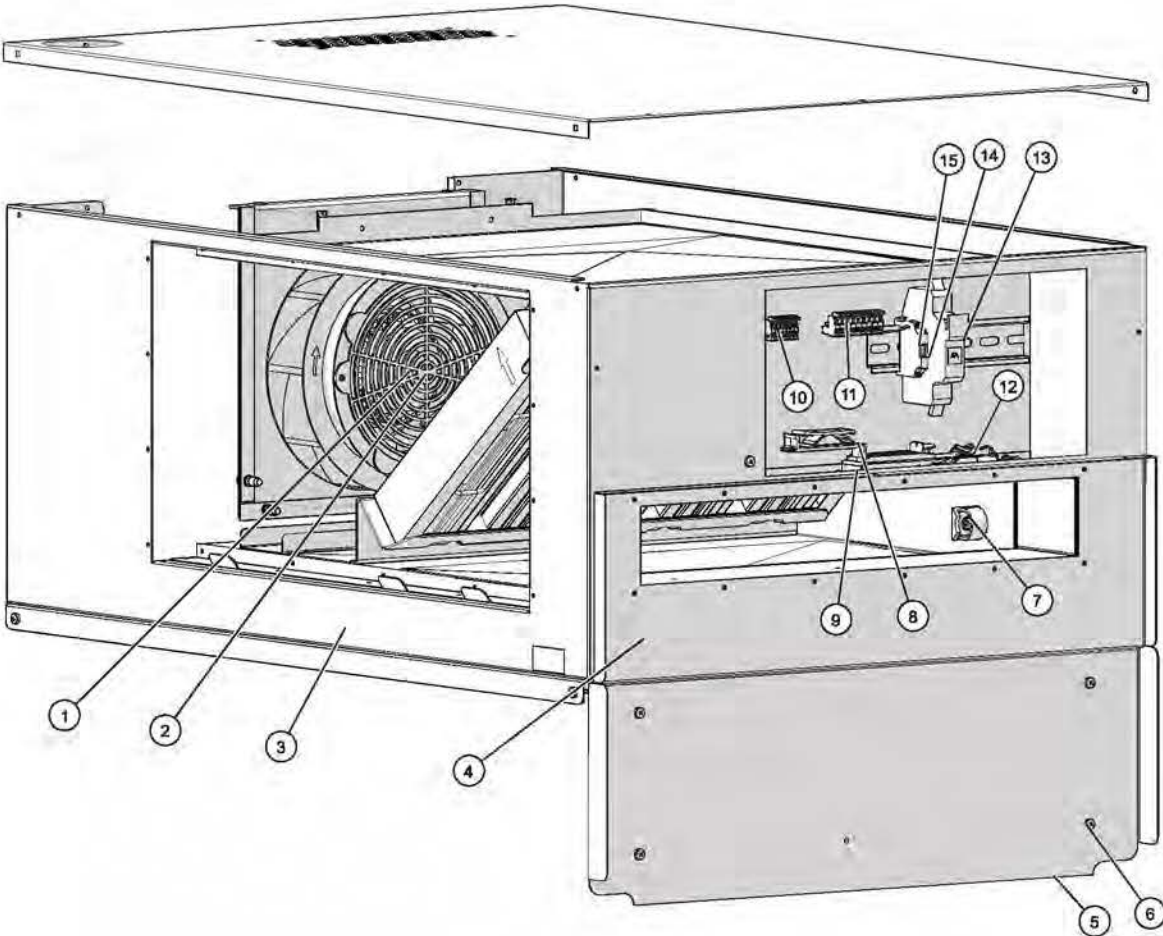
Hood Assembly (left rear view)



ID	Part No.	Description	Qty
1	5014975	COVER,ACCESS, SPOTWELD S/S	1
2	LT-25513	LATCH, CT ACTION, PAWL/CAIN	2
3	FI-24114	FILTER, *CT, ODOR GUARD III	1
4	SC-22779	M5-0.8 X 20 MM, PH PAN HD, M/S	7
5	1017563	PANEL, MOTOR	1
6	SW-35052	SWITCHES,PRESSURE	1
7	CU-38016	CAPACITOR, FAN, 2uF, 450V AC	1
8	TU-24183	TUBING,*CT,NORPRENE,3/16 I.D., 14" LG	1
9	NU-2296	NUT, HEX #8-32	3
10	1017565	ENCLOSURE, TOP, S/S	1
11	WS-22300	WASHER, SPLIT LOCK	4
12	SC-23664	SCREW M4 X 10mm HEX HEAD TRIM	4
13	WS-22294	WASHER, FLAT M4 18-8 S/S	4
14	FI-24113	FILTER, *CT, GREASE, VHML-10	1

5015580DV1_18

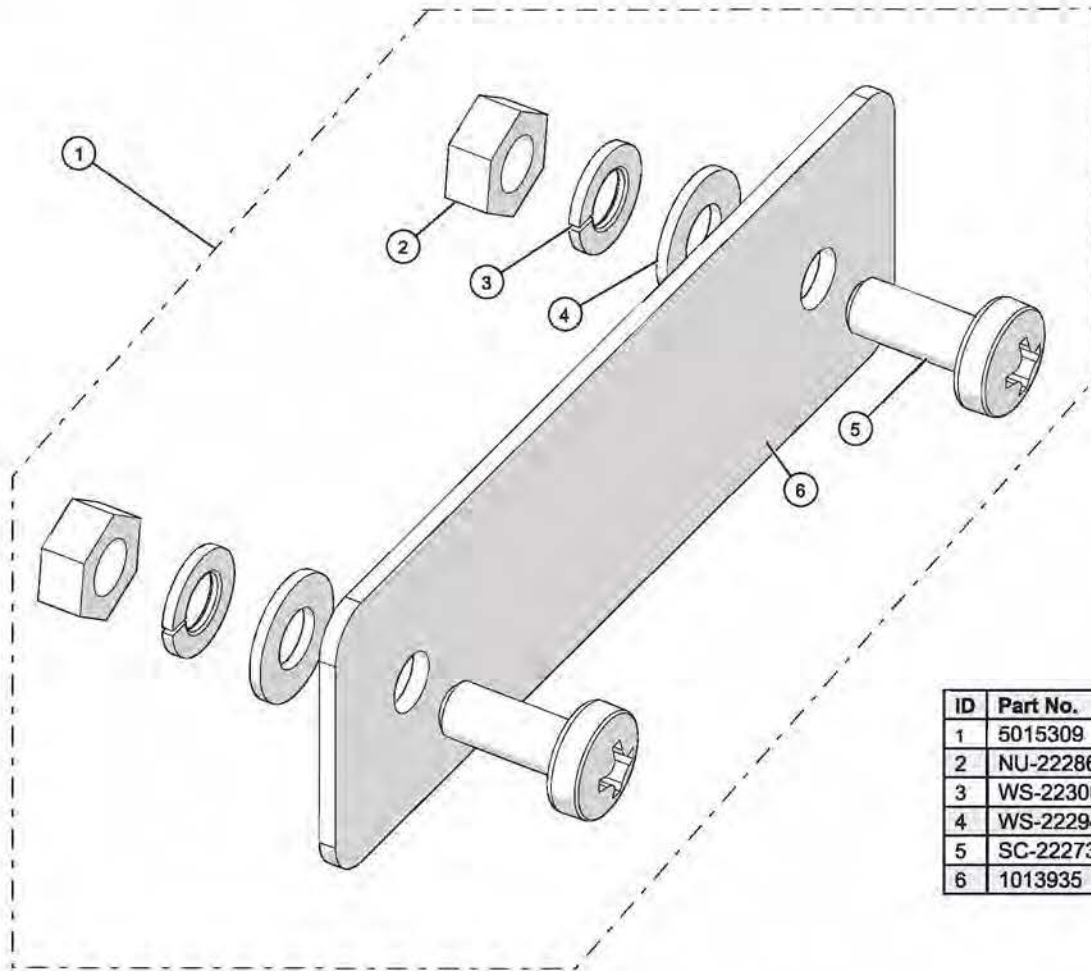
Hood Assembly (right rear view)



ID	Part No.	Description	Qty
1	FA-37258	FAN, AC, BACKWARD CURVED	1
2	1021610	PLATE, FAN GUARD	1
3	1013190	ENCLOSURE, LEFT, S/S	1
4	1013223	SNORKEL, BACK	1
5	1013511	SNORKEL, BACK, LOWER	1
6	SC-38693	SCREW, #8-18 X 1/2", PHIL. PAN	19
7	CM-3585	SELF ADHESIVE WIRE CLAMP	1
8	CM-38951	CLAMP, FLAT CABLE, SCREW MOUNT	1
9	1013191	ENCLOSURE, FRONT	1
10	TM-34931	TERMINAL, 3.5MM PLUGGABLE, 7 POLE	1
11	TM-34801	TERMINAL, 5MM PLUGGABLE, 9 POLE	1
12	CM-38959	CLAMP, WIRE, SCREW MOUNT	1
13	FU-39764	FUSE HOLDER, SINGLE BLOCK	1
14	FU-34784	FUSE, 5 AMP	1
15	TM-39606	TERMINAL, SCREWLESS END	2

5015580DV2_18

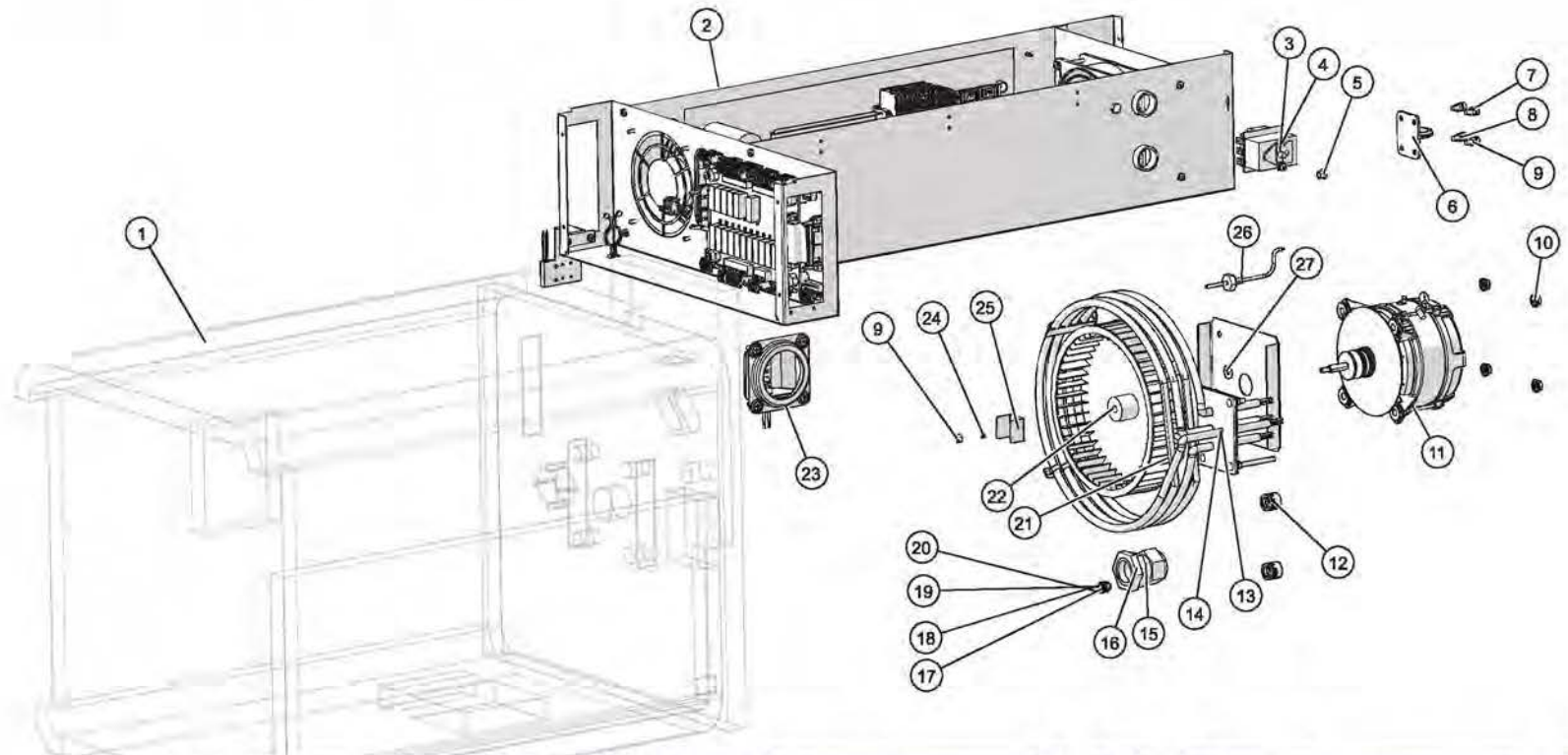
Hood Latch Cover Package



ID	Part No.	Description	Qty
1	5015309	HOOD LATCH COVER PKG	1
2	NU-22286	M4-0.7 HEX NUT 18-8	2
3	WS-22300	WASHER, M4 SPLIT LOCK	2
4	WS-22294	WASHER, FLAT M4 18-8 S/S	2
5	SC-22273	SCREW, M4x0.7X10MM PAN PHH SST A2 MS	2
6	1013935	PLATE, COVER, HOOD LATCH, 4.10	1

5015309_18

Electrical Package, 208V 1Ph, Simple



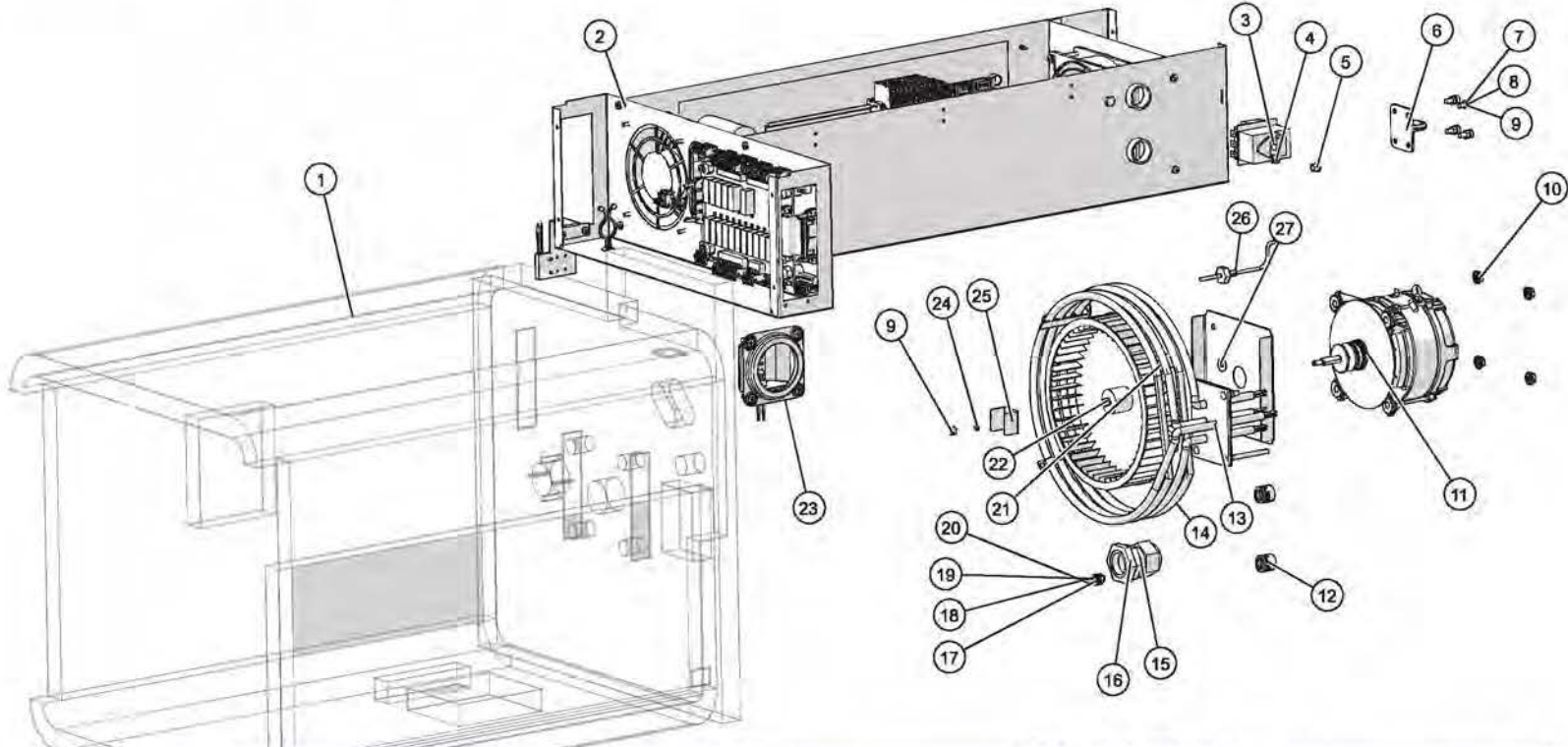
ID	Part No.	Description	Qty
1	5024442	PKG,INSULATION,4-10	1
2	5019004	ASSY, ELEC CHAS 208V 1PH	1
3	TT-36204	THERMOSTAT, THERMAL, CUTOUT 340C	1
4	SC-22271	SCREW,M4x0.7X6MM PAN	2
5	PG-25782	5/16" HOLE PLUG	1
6	BT-26884	BRACKET, TETHER.	1
7	WS-22301	WASHER, M5 SPLIT LOCK	8
8	SC-22281	SCREW,M5x0.8X16MM FLAT	4
9	NU-22289	NUT, M5-0.8 HEX NUT 18-8 DIN # 934	9
10	NU-38844	NUT, M6 X 1, SERRATED FLANGE	4

ID	Part No.	Description	Qty
11	5014911	SERVICE KIT, MOTOR	1
12	VA-48530	BACKFLOW PREVENTER, G 3/4	2
13	GS-29818	GASKET, SEAL, ELEMENT BRACKET	1
14	EL-29560	ELEMENT, HEATING, 2 COIL	1
15	BU-34977	BUSHING, STRAIGHT, STRAIN RELIEF	1
16	NU-34978	NUT, STRAIGHT, STRAIN RELIEF	1
17	WS-22297	WASHER, FLAT	2
18	WS-22302	WASHER, SPLIT LOCK	2
19	NU-22291	M6-1.0 X HEX S/S NUT 18-8	2
20	SC-22924	SCREW, M6x1.0x20MM HEX	1

ID	Part No.	Description	Qty
21	SP-39453	SPACER, CONVECTION, MOTOR,	4
22	WH-29634	WHEEL, FAN, 197mm OD	1
23	5022623	LIGHT ASSY, 12V,	1
24	WS-39333	WASHER, CONICAL, SPRING LOCK,	1
25	1013034	BRACKET, DISINTEGRATION BOX	1
26	PR-33724	*CT, ML COMBI, THERMOCOUPLE,	1
27	SA-25061	*CT, T-COUPLE PROBE, ML COMBI	1

5018141_9

Electrical Package, 208V 1Ph, 60 Hz



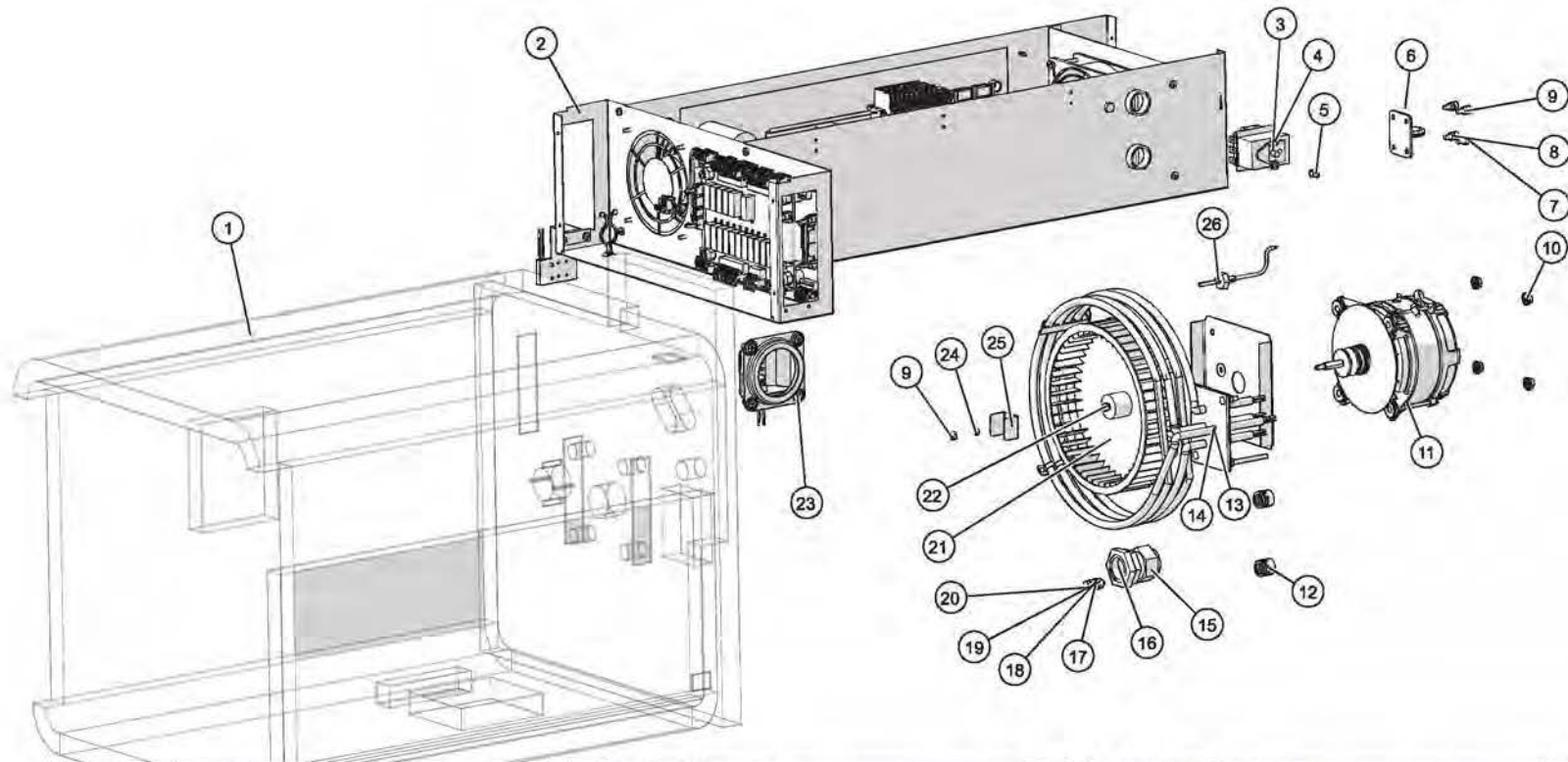
ID	Part No.	Description	Qty
1	5024442	PKG,INSULATION,4-10	1
2	5019000	ASSY, ELEC CHAS 208V 1PH	1
3	TT-36204	THERMOSTAT, THERMAL, CUTOUT 340C	1
4	SC-22271	SCREW,M4x0.7X6MM PAN	2
5	PG-25782	5/16" HOLE PLUG	1
6	BT-26884	BRACKET, TETHER.	1
7	WS-22301	WASHER, M5 SPLIT LOCK	8
8	SC-22281	SCREW,M5x0.8X16MM FLAT	4
9	NU-22289	NUT, M5-0.8 HEX NUT 18-8 DIN # 934	9
10	NU-38844	NUT, M6 X 1, SERRATED FLANGE	4

ID	Part No.	Description	Qty
11	5014911	SERVICE KIT, MOTOR	1
12	VA-48530	BACKFLOW PREVENTER,G 3/4	2
13	GS-29818	GASKET, SEAL, ELEMENT BRACKET	1
14	EL-29560	ELEMENT, HEATING, 2 COIL	1
15	BU-34977	BUSHING, STRAIGHT, STRAIN RELIEF	1
16	NU-34978	NUT, STRAIGHT, STRAIN RELIEF	1
17	WS-22297	WASHER, FLAT	2
18	WS-22302	WASHER, SPLIT LOCK	2
19	NU-22291	M6-1.0 X HEX S/S NUT 18-8	2
20	SC-22924	SCREW, M6x1.0x20MM HEX	1

ID	Part No.	Description	Qty
21	SP-39453	SPACER, CONVECTION, MOTOR,	4
22	WH-29634	WHEEL, FAN, 197mm OD	1
23	5022623	LIGHT ASSY, 12V,	1
24	WS-39333	WASHER, CONICAL, SPRING LOCK,	1
25	1013034	BRACKET, DISINTEGRATION BOX	1
26	PR-33724	*CT, ML COMBI, THERMOCOUPLE,	1
27	SA-25061	*CT, T-COUPLE PROBE, ML COMBI	1

5018144_9

Electrical Package, 240V 1Ph, 60 Hz, Simple



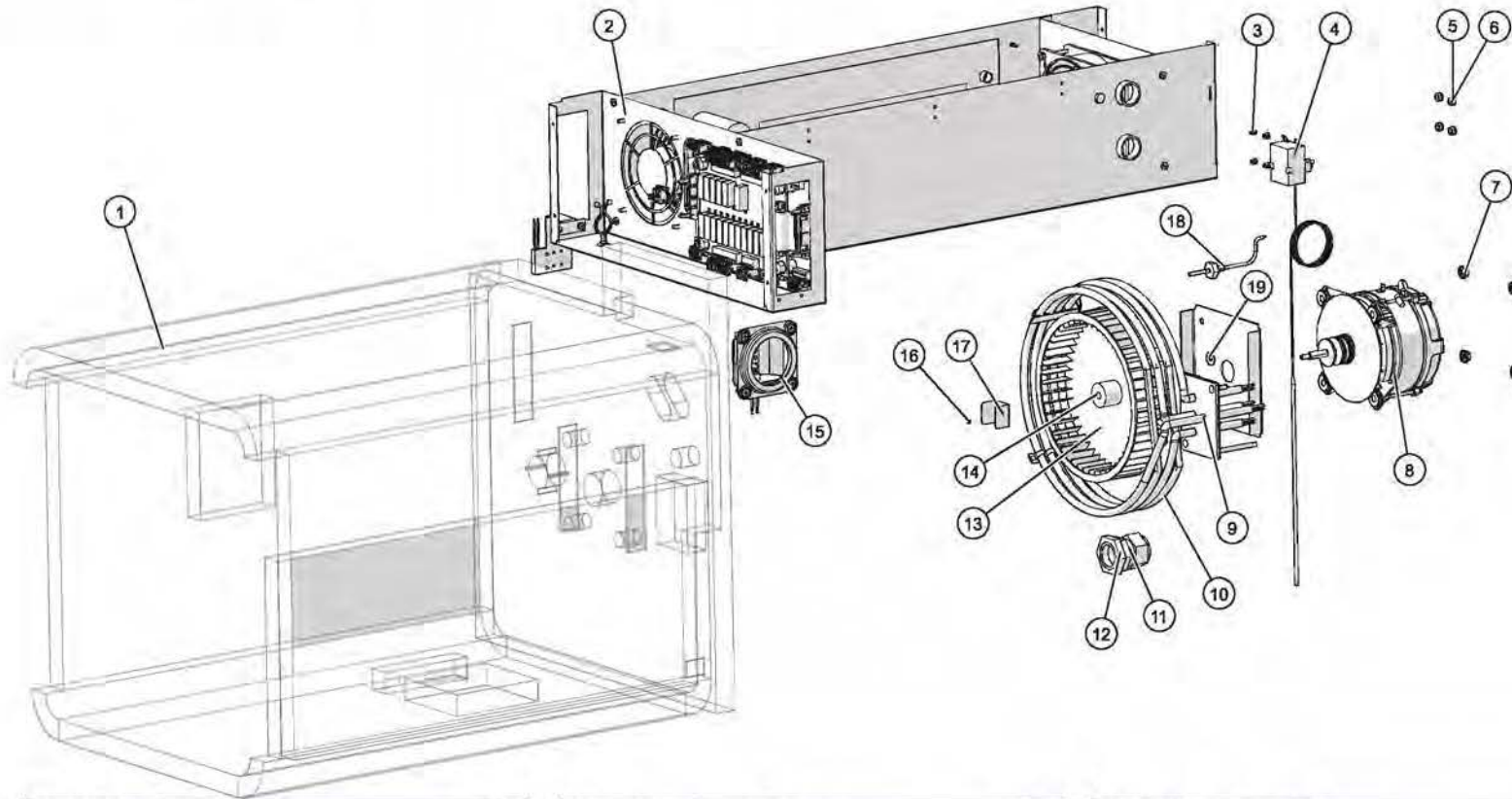
ID	Part No.	Description	Qty
1	5024442	PKG,INSULATION,4-10	1
2	5019004	ASSY, ELEC CHAS 208V 1PH	1
3	TT-36204	THERMOSTAT, THERMAL, CUTOFF 340C	1
4	SC-22271	SCREW,M4x0.7X6MM PAN	2
5	PG-25782	5/16" HOLE PLUG	1
6	BT-26884	BRACKET, TETHER	1
7	WS-22301	WASHER, M5 SPLIT LOCK	8
8	SC-22281	SCREW,M5x0.8X16MM FLAT	4
9	NU-22289	NUT, M5-0.8 HEX NUT 18-8 DIN # 934	9

ID	Part No.	Description	Qty
10	NU-38844	NUT, M6 X 1, SERRATED FLANGE	4
11	5014911	SERVICE KIT, MOTOR	1
12	VA-48530	BACKFLOW PREVENTER,G 3/4	2
13	GS-29818	GASKET, SEAL, ELEMENT BRACKET	1
14	EL-29560	ELEMENT, HEATING, 2 COIL	1
15	BU-34977	BUSHING, STRAIGHT, STRAIN RELIEF	1
16	NU-34978	NUT, STRAIGHT, STRAIN RELIEF	1
17	WS-22297	WASHER, FLAT	2
18	WS-22302	WASHER, SPLIT LOCK	2

ID	Part No.	Description	Qty
19	NU-22291	M6-1.0 X HEX S/S NUT 18-8	2
20	SC-22924	SCREW, M6x1.0x20MM HEX	1
21	SP-39453	SPACER, CONVECTION, MOTOR,	4
22	WH-29634	WHEEL, FAN, 197mm OD	1
23	5022623	LIGHT ASSY, 12V,	1
24	WS-39333	WASHER, CONICAL SPRING LOCK,	1
25	1013034	BRACKET, DISINTEGRATION BOX	1
26	PR-33724	*CT, ML COMBI, THERMOCOUPLE,	1

5018147_9

Electrical Package, 240V 1Ph, 60 Hz, Express Touch



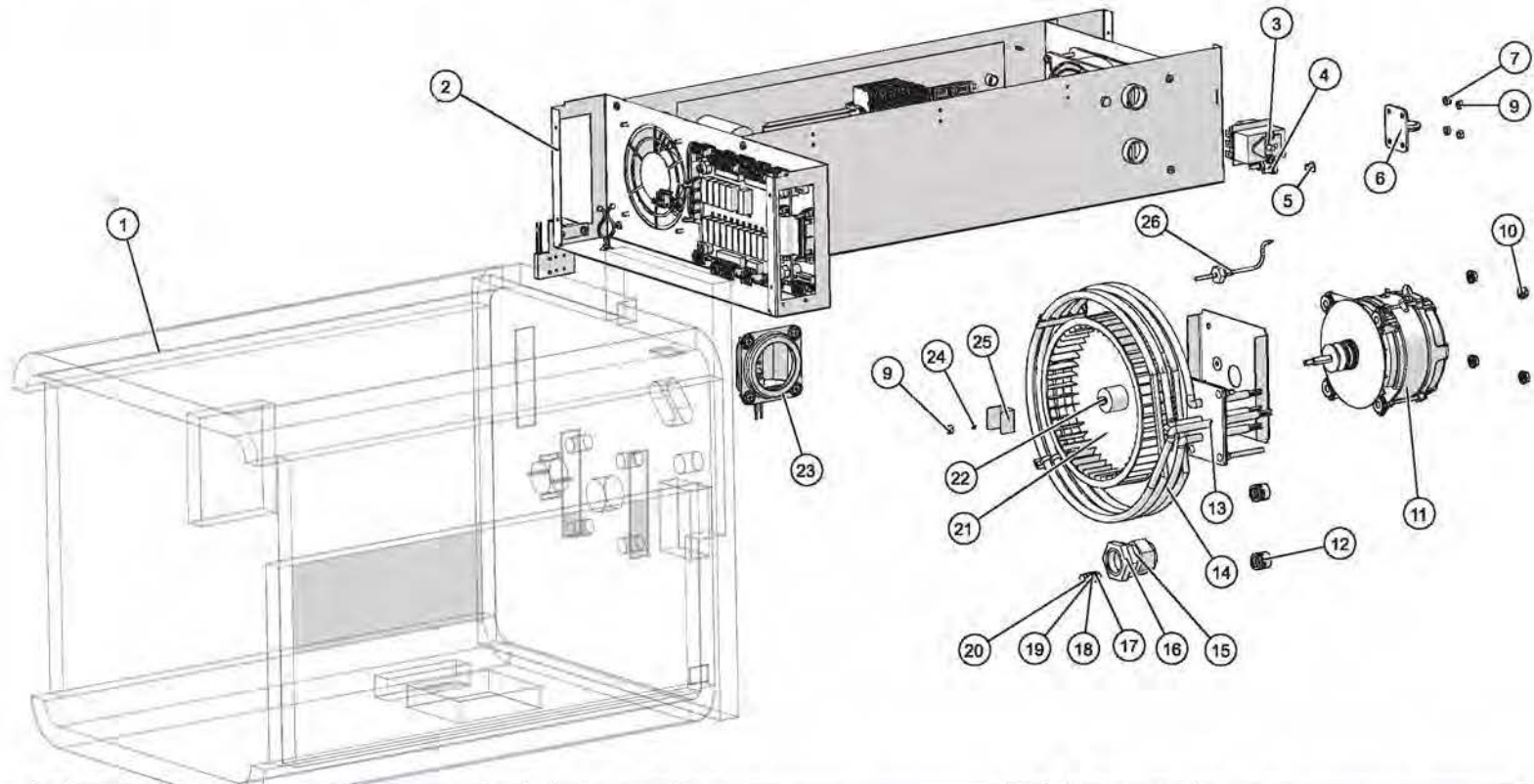
ID	Part No.	Description	Qty
1	5024442	PKG,INSULATION,4-10	1
2	5019000	ASSY, ELEC CHAS 208V 1PH	1
3	PG-28439	PLUG, DOME, 187" HOLE	4
4	TT-3750	SAFETY, 340 DEG. "C"	1
5	WS-22301	WASHER, M5 SPLIT LOCK	4
6	NU-22289	NUT, M5-0.8 HEX NUT 18-8 DIN # 934	5
7	NU-38844	NUT, M6 X 1, SERRATED FLANGE	4

ID	Part No.	Description	Qty
8	5014911	SERVICE KIT, MOTOR	1
9	GS-29818	GASKET, SEAL, ELEMENT BRACKET	1
10	EL-29560	ELEMENT, HEATING, 2 COIL	1
11	BU-34977	BUSHING,STRAIGHT,STRAIN RELIEF	1
12	NU-34978	NUT,STRAIGHT,STRAIN RELIEF	1
13	SP-39453	SPACER,CONVECTION,MOTOR,	4
14	WH-29634	WHEEL, FAN, 197mm OD	1

ID	Part No.	Description	Qty
15	5022623	LIGHT ASSY, 12V,	1
16	WS-39333	WASHER,CONICAL. SPRING LOCK,	1
17	1013034	BRACKET, DISINTEGRATION BOX	1
18	PR-33724	*CT, ML COMBI, THERMOCOUPLE,	1
19	SA-25061	*CT, T-COUPLE PROBE, ML COMBI	1

5018148_9

Electrical Package, 220-240V 1Ph, 50 Hz, Express Touch



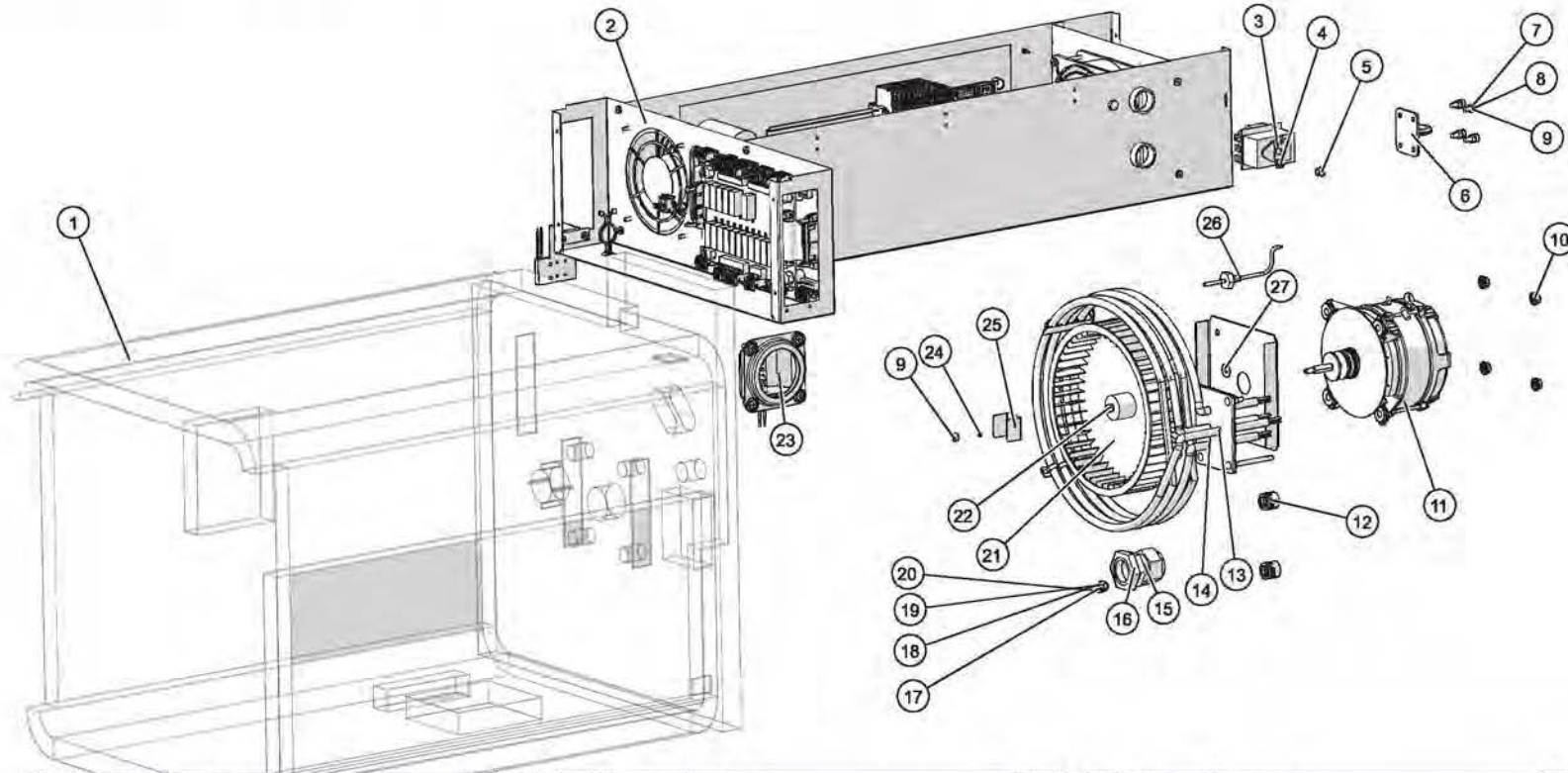
ID	Part No.	Description	Qty
1	5024442	PKG, INSULATION, 4-10	1
2	5019002	ASSY, ELEC CHAS 220-240V 1PH	1
3	TT-36204	THERMOSTAT, THERMAL, CUTOUT 340C	1
4	SC-22281	SCREW, M5x0.8X16MM FLAT	8
5	PG-25782	5/16" HOLE PLUG	1
6	BT-26884	BRACKET, TETHER.	1
7	WS-22301	WASHER, M5 SPLIT LOCK	5
9	NU-22289	NUT, M5-0.8 HEX NUT 18-8 DIN # 934	9
10	NU-38844	NUT, M6 X 1, SERRATED FLANGE	4

ID	Part No.	Description	Qty
11	5014911	SERVICE KIT, MOTOR	1
12	VA-48530	BACKFLOW PREVENTER, G 3/4	2
13	GS-29818	GASKET, SEAL, ELEMENT BRACKET	1
14	EL-29560	ELEMENT, HEATING, 2 COIL	1
15	BU-34977	BUSHING, STRAIGHT, STRAIN RELIEF	1
16	NU-34978	NUT, STRAIGHT, STRAIN RELIEF	1
17	NU-22291	M6-1.0 X HEX S/S NUT 18-8	2
18	WS-22302	WASHER, SPLIT LOCK	2
19	WS-22297	WASHER, FLAT	2

ID	Part No.	Description	Qty
20	SC-22924	SCREW, M6x1.0x20MM HEX	1
21	SP-39453	SPACER, CONVECTION, MOTOR,	4
22	WH-29634	WHEEL, FAN, 197mm OD	1
23	5022623	LIGHT ASSY, 12V.	1
24	WS-39333	WASHER, CONICAL, SPRING LOCK,	1
25	1013034	BRACKET, DISINTEGRATION BOX	1
26	PR-33724	*CT, ML COMBI, THERMOCOUPLE,	1

5018192_9

Electrical Package, 208-240V 3Ph, 60 Hz, Simple



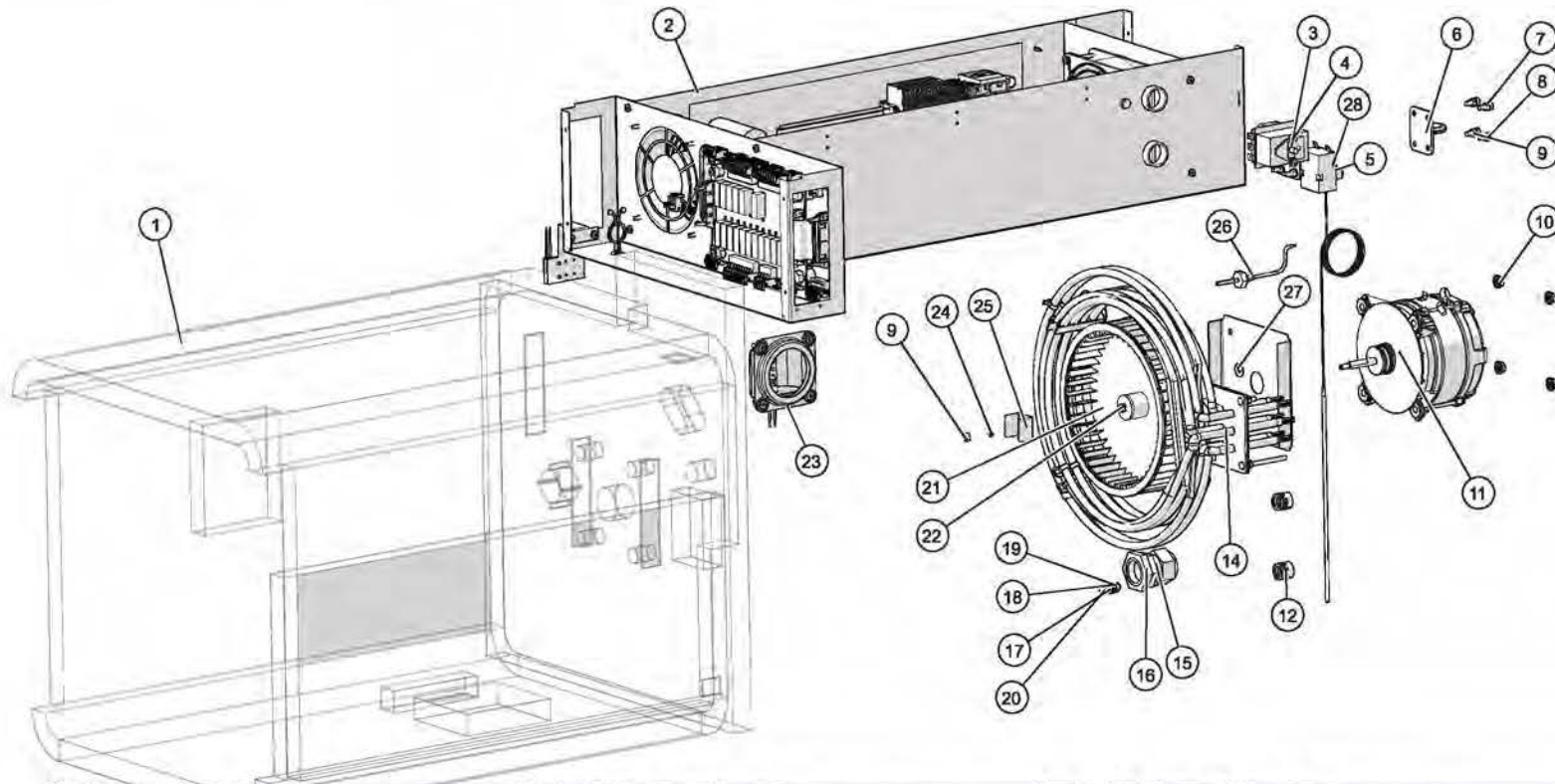
ID	Part No.	Description	Qty
1	5024442	PKG,INSULATION,4-10	1
2	5019005	ASSY, ELEC CHAS 208V 1PH	1
3	TT-36204	THERMOSTAT, THERMAL, CUTOOUT 340C	1
4	SC-22271	SCREW,M4x0.7X6MM PAN	2
5	PG-25782	5/16" HOLE PLUG	1
6	BT-26884	BRACKET, TETHER.	1
7	WS-22301	WASHER, M5 SPLIT LOCK	8
8	SC-22281	SCREW,M5x0.8X16MM FLAT	4
9	NU-22289	NUT, M5-0.8 HEX NUT 18-8 DIN # 934	9
10	NU-38844	NUT, M6 X 1, SERRATED FLANGE	4

ID	Part No.	Description	Qty
11	5014911	SERVICE KIT, MOTOR	1
12	VA-48530	BACKFLOW PREVENTER,G 3/4	2
13	GS-29818	GASKET, SEAL, ELEMENT BRACKET	1
14	EL-29560	ELEMENT, HEATING, 2 COIL	1
15	BU-34977	BUSHING,STRAIGHT,STRAIN RELIEF	1
16	NU-34978	NUT,STRAIGHT,STRAIN RELIEF	1
17	WS-22297	WASHER, FLAT	2
18	WS-22302	WASHER, SPLIT LOCK	2
19	NU-22291	M6-1.0 X HEX S/S NUT 18-8	2
20	SC-22924	SCREW, M6x1.0x20MM HEX	1

ID	Part No.	Description	Qty
21	SP-39453	SPACER,CONVECTION,MOTOR,	4
22	WH-29634	WHEEL, FAN, 197mm OD	1
23	5022623	LIGHT ASSY, 12V,	1
24	WS-39333	WASHER,CONICAL SPRING LOCK,	1
25	1013034	BRACKET, DISINTEGRATION BOX	1
26	PR-33724	*CT, ML COMBI, THERMOCOUPLE,	1
27	SA-25061	*CT, T-COUPLE PROBE, ML COMBI	1

5018142_9

Electrical Package, 208-240V 3Ph, 60 Hz, Express Touch



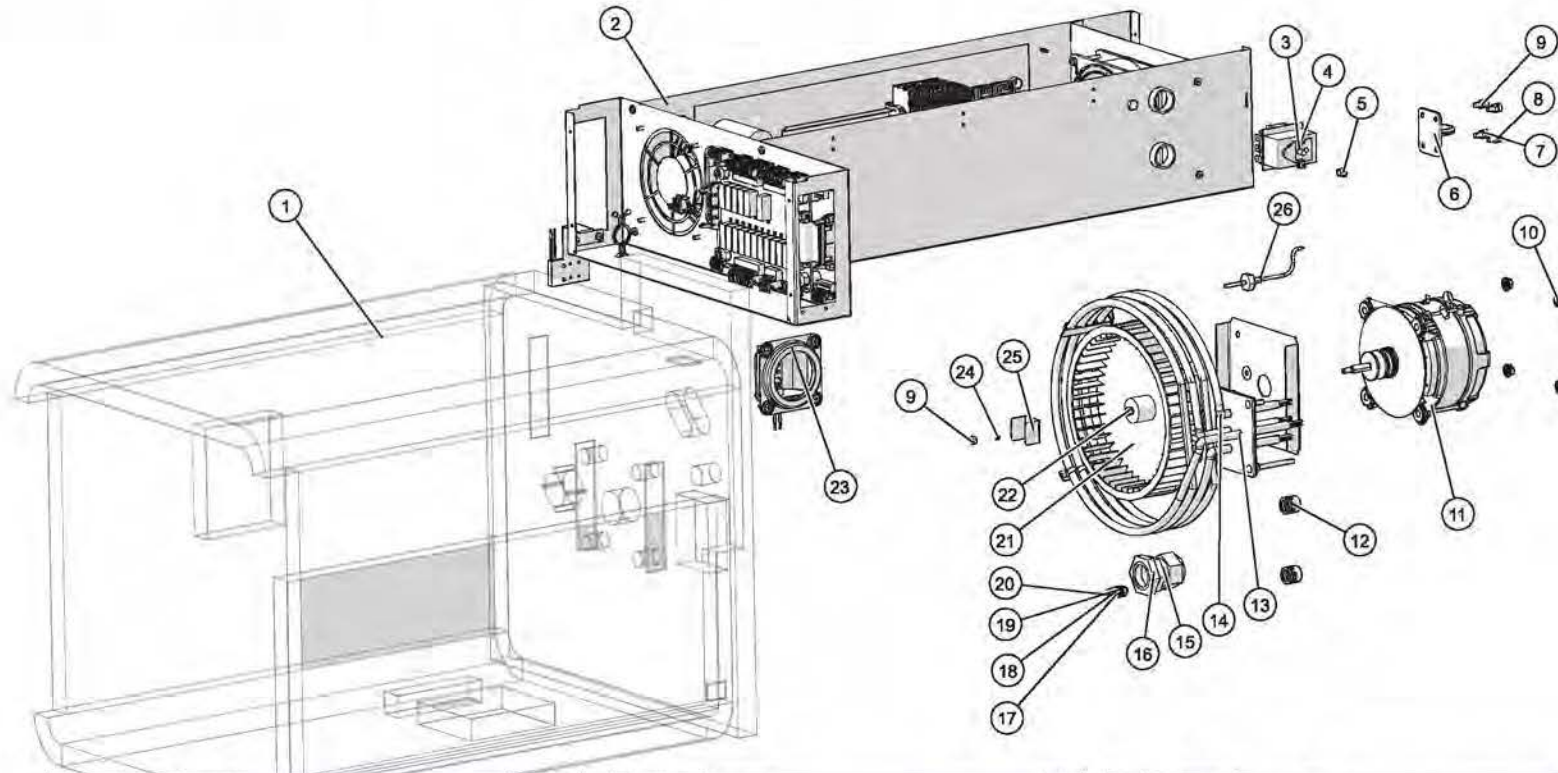
ID	Part No.	Description	Qty
1	5024442	PKG,INSULATION,4-10	1
2	5019001	ASSY, ELEC CHAS 208-240V 3PH	1
3	TT-36204	THERMOSTAT, THERMAL, CUTOUT 340C	1
4	SC-22271	SCREW,M4x0.7X6MM PAN	2
5	PG-25782	5/16" HOLE PLUG	1
6	BT-26884	BRACKET, TETHER.	1
7	WS-22301	WASHER, M5 SPLIT LOCK	8
8	SC-22281	SCREW,M5x0.8X16MM FLAT	4
9	NU-22289	NUT, M5-0.8 HEX NUT 18-8 DIN # 934	9
10	NU-38844	NUT, M6 X 1, SERRATED FLANGE	4

ID	Part No.	Description	Qty
11	5014911	SERVICE KIT, MOTOR	1
12	VA-48530	BACKFLOW PREVENTER,G 3/4	2
14	EL-29649	ELEMENT, HEATING, 3 COIL	1
15	BU-34977	BUSHING,STRAIGHT,STRAIN RELIEF	1
16	NU-34978	NUT,STRAIGHT,STRAIN RELIEF	1
17	WS-22297	WASHER, FLAT	2
18	WS-22302	WASHER, SPLIT LOCK	2
19	NU-22291	M6-1.0 X HEX S/S NUT 18-8	2
20	SC-22924	SCREW, M6x1.0x20MM HEX	1
21	SP-39453	SPACER,CONVECTION,MOTOR.	4

ID	Part No.	Description	Qty
22	WH-29634	WHEEL, FAN, 197mm OD	1
23	5022623	LIGHT ASSY, 12V,	1
24	WS-39333	WASHER,CONICAL, SPRING LOCK,	1
25	1013034	BRACKET, DISINTEGRATION BOX	1
26	PR-33724	*CT, ML COMBI, THERMOCOUPLE,	1
27	SA-25061	*CT, T-COUPLE PROBE, ML COMBI	1
28	TT-3750	SAFETY, 340 DEG. "C"	1

5018145_9

Electrical Package, 380-415V 3Ph, 50/60 Hz, Simple



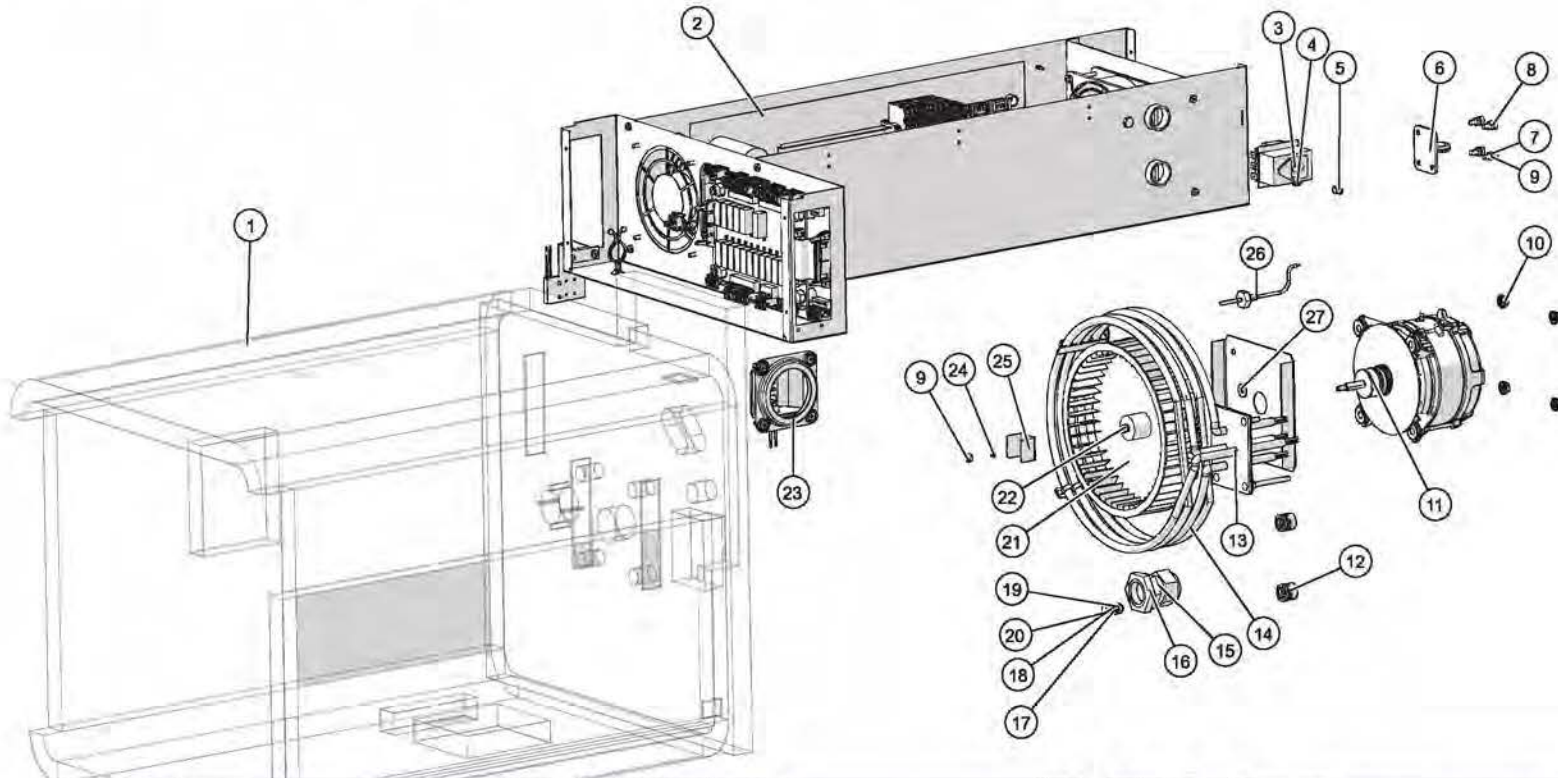
ID	Part No.	Description	Qty
1	5024442	PKG,INSULATION,4-10	1
2	5019006	ASSY, ELEC CHAS 380-415V 3PH	1
3	TT-36204	THERMOSTAT, THERMAL, CUTOUT 340C	1
4	SC-22271	SCREW,M4x0.7X6MM PAN	2
5	PG-25782	5/16" HOLE PLUG	1
6	BT-26884	BRACKET, TETHER.	1
7	WS-22301	WASHER, M5 SPLIT LOCK	8
8	SC-22281	SCREW,M5x0.8X16MM FLAT	4
9	NU-22289	NUT, M5-0.8 HEX NUT 18-8 DIN # 934	9

ID	Part No.	Description	Qty
10	NU-38844	NUT, M6 X 1, SERRATED FLANGE	4
11	5014911	SERVICE KIT, MOTOR	1
12	VA-48530	BACKFLOW PREVENTER,G 3/4	2
13	GS-29818	GASKET, SEAL, ELEMENT BRACKET	1
14	EL-29560	ELEMENT, HEATING, 2 COIL	1
15	BU-34977	BUSHING,STRAIGHT,STRAIN RELIEF	1
16	NU-34978	NUT,STRAIGHT,STRAIN RELIEF	1
17	WS-22297	WASHER, FLAT	2
18	WS-22302	WASHER, SPLIT LOCK	2

ID	Part No.	Description	Qty
19	NU-22291	M6-1.0 X HEX S/S NUT 18-8	2
20	SC-22924	SCREW, M6x1.0x20MM HEX	1
21	SP-39453	SPACER,CONVECTION,MOTOR,	4
22	WH-29634	WHEEL, FAN, 197mm OD	1
23	5022623	LIGHT ASSY, 12V,	1
24	WS-39333	WASHER, CONICAL, SPRING LOCK,	1
25	1013034	BRACKET, DISINTEGRATION BOX	1
26	PR-33724	*CT, ML COMBI, THERMOCOUPLE,	1

5018143_9

Electrical Package, 380-415V 3Ph, 50/60 Hz, Express Touch



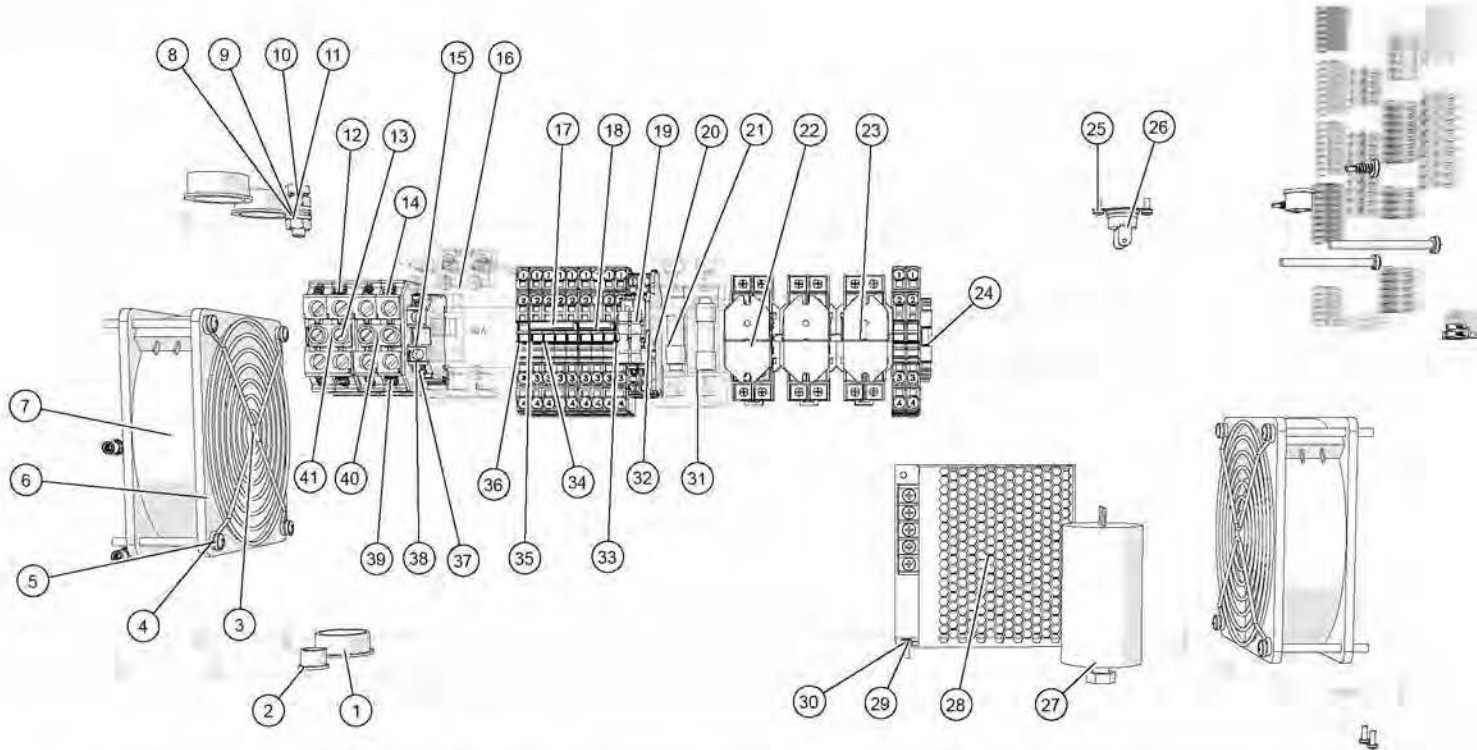
ID	Part No.	Description	Qty
1	5024442	PKG,INSULATION,4-10	1
2	5019003	ASSY, ELEC CHAS 380-415V 3PH	1
3	TT-36204	THERMOSTAT, THERMAL, CUTOUT 340C	1
4	SC-22271	SCREW,M4x0.7X6MM PAN	2
5	PG-25782	5/16" HOLE PLUG	1
6	BT-26884	BRACKET, TETHER.	1
7	WS-22301	WASHER, M5 SPLIT LOCK	8
8	SC-22281	SCREW,M5x0.8X16MM FLAT	4
9	NU-22289	NUT, M5-0.8 HEX NUT 18-8 DIN # 934	9
10	NU-38844	NUT, M6 X 1, SERRATED FLANGE	4

ID	Part No.	Description	Qty
11	5014911	SERVICE KIT, MOTOR	1
12	VA-48530	BACKFLOW PREVENTER,G 3/4	2
13	GS-29818	GASKET, SEAL, ELEMENT BRACKET	1
14	EL-29560	ELEMENT, HEATING, 2 COIL	1
15	BU-34977	BUSHING,STRAIGHT,STRAIN RELIEF	1
16	NU-34978	NUT,STRAIGHT,STRAIN RELIEF	1
17	WS-22297	WASHER, FLAT	2
18	WS-22302	WASHER, SPLIT LOCK	2
19	NU-22291	M6-1.0 X HEX S/S NUT 18-8	2
20	SC-22924	SCREW, M6x1.0x20MM HEX	1

ID	Part No.	Description	Qty
21	SP-39453	SPACER, CONVECTION, MOTOR,	4
22	WH-29634	WHEEL, FAN, 197mm OD	1
23	5022623	LIGHT ASSY, 12V,	1
24	WS-39333	WASHER, CONICAL, SPRING LOCK,	1
25	1013034	BRACKET, DISINTEGRATION BOX	1
26	PR-33724	*CT, ML COMBI, THERMOCOUPLE,	1
27	SA-25061	*CT, T-COUPLE PROBE, ML COMBI	1

5018146_9

Electrical Chassis, 208V 1Ph, Simple



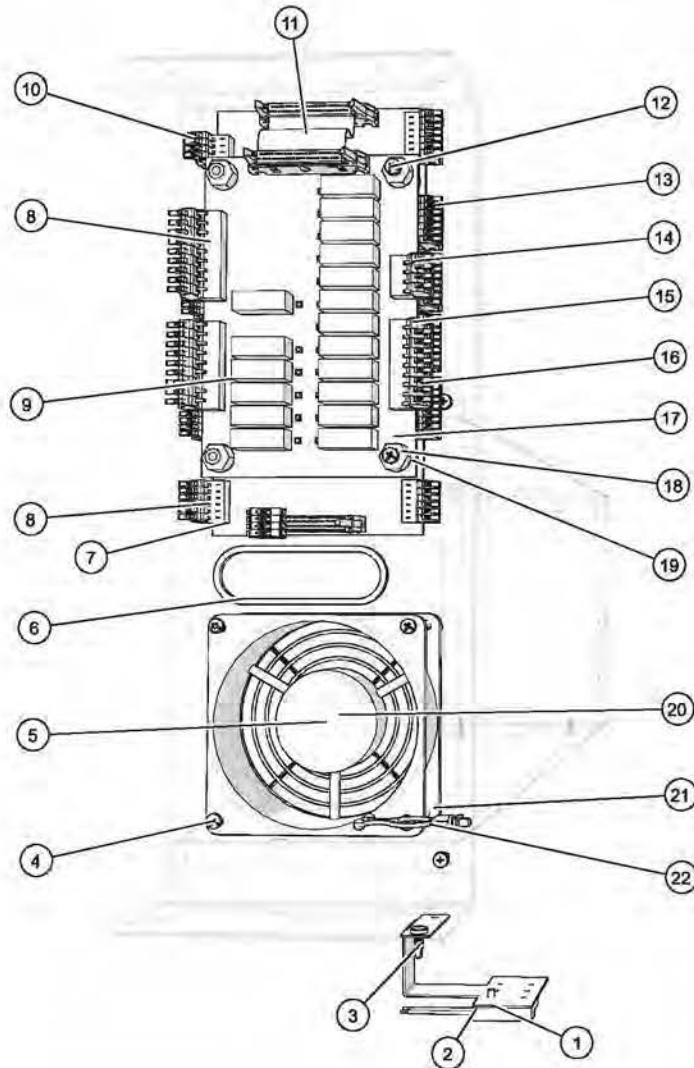
ID	Part No.	Description	Qty
1	BU-3378	1 1/8" SNAP BUSHING	3
2	BU-3006	1/2" HOLE BUSHING	2
3	GD-2396	FAN GUARD, FITS AXIAL FANS	2
4	WS-22300	WASHER, SPLIT LOCK, M4, 18-8 SST	8
5	SC-29261	SCREW, M4x0.7X50MM PAN	12
6	NU-23909	NUT, HEX INSERT M5	3
7	FA-36957	FAN, 230V, MECHATRONICS, HI-TEMP	2
8	WS-22297	WASHER, FLAT, M6, 18-8 SST	2
9	WS-22302	WASHER, SPLIT LOCK, M6, 18-8 SST	2
10	SC-22924	SCREW, M6x1.0x20MM HEX	1
11	NU-22291	M6-1.0 X HEX S/S NUT 18-8	2
12	TM-3790	TERMINALS, MARK, 1	2
13	TM-47502	CONNECTOR, CROSS, 2-POLE, 12M	2
14	TM-3788	TERMINALS, MARK, L	4

ID	Part No.	Description	Qty
15	TM-47504	TERMINAL, GROUND, 10MM, 1000V	1
16	CN-3731	CONTACTOR, 50 AMP	1
17	TM-39583	JUMPER, 4 POLE	1
18	TM-39584	JUMPER, 3 POLE	1
19	FU-33184	5X20MM, SLOW BLO, 2 AMP, 250V	4
20	TM-39578	TERMINAL, END PLATE	1
21	FU-35475	FUSE, 8 AMP	2
22	RL-33483	RELAY, 240V LY1F	3
23	RL-34634	UNIVERSAL MOUNTING SOCKET	3
24	TM-39606	TERMINAL, SCREWLESS END	2
25	SC-22266	SCREW, M3x0.5X6MM PAN	2
26	TT-35303	THERMOSTAT, BI-METAL 80-100°F	1
27	CU-29666	CAPACITOR, 16uF	1
28	BA-38586	BOARD, POWER SUPPLY, 12V	1

ID	Part No.	Description	Qty
29	WS-22299	WASHER, SPLIT LOCK, M3, 18-8 SST	2
30	SC-22268	SCREW, M3x0.5X6MM PAN	4
31	FU-34771	FUSE HOLDER, 2 BANK	1
32	TM-39577	TERMINAL, FUSE HOLDER	2
33	TM-39574	TERMINAL, 6mm, ORANGE, SPRING	5
34	TM-39575	TERMINAL, 6mm, BLUE, SPRING	5
35	TM-39576	TERMINAL, END SECTION, SPRING	5
36	TM-39579	TERMINAL, GROUND, 6mm, SPRING	1
37	TM-3789	TERMINALS, MARK, P	2
38	TM-3799	TERMINALS, MARK, E	2
39	TM-3791	TERMINALS, MARK, 2	2
40	TM-47503	END PLATE, 12MM TERMINAL	2
41	TM-47501	TERMINAL, 12MM, 71A, 1000V	4

5019004_12

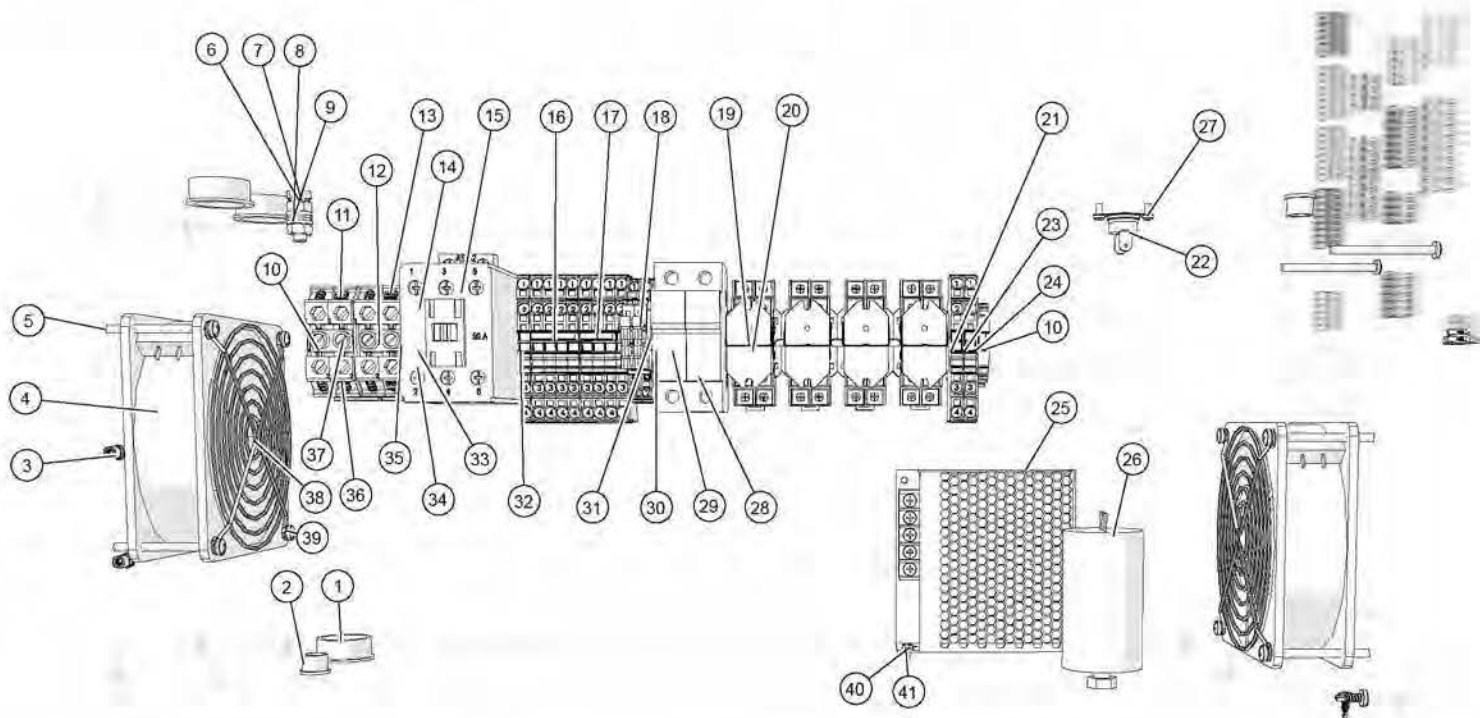
Electrical Chassis, 208V 1Ph, Simple (end view)



ID	Part No.	Description	Qty
1	SC-22268	SCREW,M3x0.5X8MM PAN	1
2	LT-3738	DOOR, INTERLOCK SWITCH	1
3	SC-38693	SCREW, #8-18 X 1/2", PHIL, PAN	7
4	SC-29261	SCREW,M4x0.7X50MM PAN	8
5	FA-36957	FAN,230V,MECHATRONICS,HI-TEMP	1
6	SL-3836	SLEEVE, GROMMET EDGING 10.5"	1
7	BA-34670	BOARD, TOUCHSCREEN RELAY	1
8	TM-34884	TERMINAL, 3.5MM PLUGGABLE, 6 POLE	5
9	TM-34889	TERMINAL, 3.5MM PLUGGABLE, 8 POLE	4
10	TM-34881	TERMINAL, 3.5MM PLUGGABLE, 4 POLE	3
11	CB-34923	CABLE, 34-PIN RIBBON, 55MM LONG	1
12	NU-29265	NUT, M8 X 6.4MM THK X 13MM HEX	4
13	TM-34931	TERMINAL, 3.5MM PLUGGABLE, 7 POLE	3
14	TM-34796	TERMINAL, 5MM PLUGGABLE, 4 POLE	1
15	TM-34801	TERMINAL, 5MM PLUGGABLE, 9 POLE	2
16	TM-34934	TERMINAL, 3.5MM PLUGGABLE, 9 POLE	2
17	SC-22266	SCREW,M3x0.5X6MM PAN	1
18	SP-29266	SPACER, 13MM OD X 8.5MM ID	4
19	SC-29264	SCREW, M8X28MM PLASTIC SOCKET	4
20	GD-2396	FAN GUARD, FITS AXIAL FANS	1
21	WS-22300	WASHER, SPLIT LOCK	8
22	TI-35719	TIE, TWIST LOCK 0.5" STANDOFF	1

5019004DV1_12

Electrical Chassis, 208V 1Ph, Express Touch



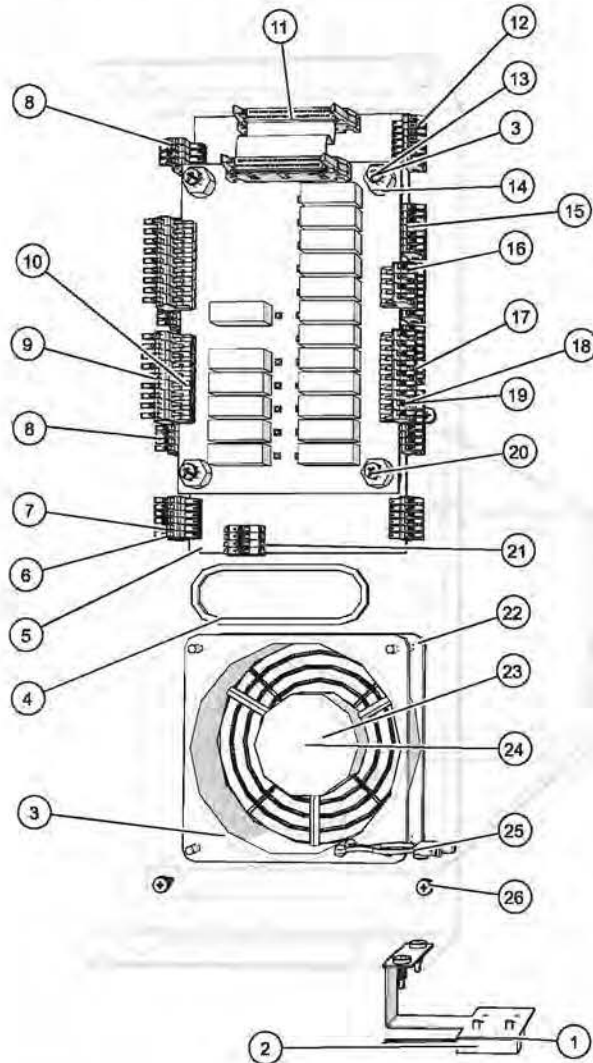
ID	Part No.	Description	Qty
1	BU-3378	1 1/8" SNAP BUSHING	3
2	BU-3006	1/2" HOLE BUSHING	2
3	NU-23909	NUT, HEX INSERT M5	3
4	FA-36957	FAN, 230V, MECHATRONICS, HI-TEMP	2
5	SC-29261	SCREW, M4x0.7X50MM PAN	12
6	SC-22924	SCREW, M6x1.0x20MM HEX	1
7	NU-22291	M6-1.0 X HEX S/S NUT 18-8	2
8	WS-22302	WASHER, SPLIT LOCK	2
9	WS-22297	WASHER, FLAT	2
10	TM-39606	TERMINAL, SCREWLESS END	2
11	TM-3790	TERMINALS, MARK, 1	2
12	TM-47503	END PLATE, 12MM TERMINAL	2
13	TM-3791	TERMINALS, MARK, 2	2
14	TM-3789	TERMINALS, MARK, P	2

ID	Part No.	Description	Qty
15	CN-3731	CONTACTOR, 50 AMP	1
16	TM-39583	JUMPER, 4 POLE	1
17	TM-39584	JUMPER, 3 POLE	1
18	FU-33184	5X20MM, SLOW BLO, 2 AMP, 250V	4
19	RL-34634	UNIVERSAL MOUNTING SOCKET	4
20	RL-33483	RELAY, 240V LY1F	4
21	TM-39575	TERMINAL, 6mm, BLUE, SPRING	5
22	TT-35303	THERMOSTAT, BI-METAL 80-100°F	1
23	TM-39574	TERMINAL, 6mm, ORANGE, SPRING	5
24	TM-39576	TERMINAL, END SECTION, SPRING	5
25	BA-38566	BOARD, POWER SUPPLY, 12V	1
26	CU-29666	CAPACITOR, 16uF	1
27	SC-22266	SCREW, M3x0.5X6MM PAN	2
28	FU-34771	FUSE HOLDER, 2 BANK	1

ID	Part No.	Description	Qty
29	FU-35475	FUSE, 8 AMP	2
30	TM-39578	TERMINAL, END PLATE	1
31	TM-39577	TERMINAL, FUSE HOLDER	2
32	TM-39579	TERMINAL, GROUND, 6mm, SPRING	1
33	TM-47504	TERMINAL, GROUND, 10MM, 1000V	1
34	TM-3799	TERMINALS, MARK, E	2
35	TM-47501	TERMINAL, 12MM, 71A, 1000V	4
36	TM-3788	TERMINALS, MARK, L	4
37	TM-47502	CONNECTOR, CROSS, 2-POLE, 12M	2
38	GD-2396	FAN GUARD, FITS AXIAL FANS	2
39	WS-22300	WASHER, SPLIT LOCK, M4, 18-8 SST	8
40	WS-22299	WASHER, SPLIT LOCK, M3, 18-8 SST	2
41	SC-22268	SCREW, M3x0.5X8MM PAN	2

5019000_9

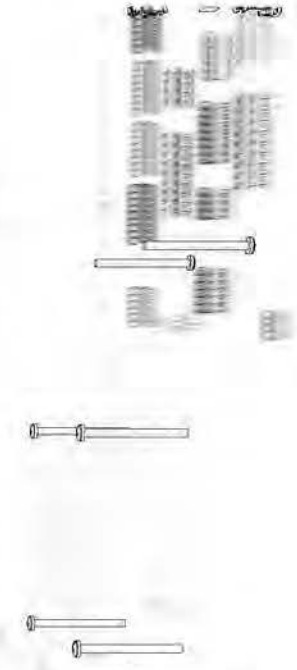
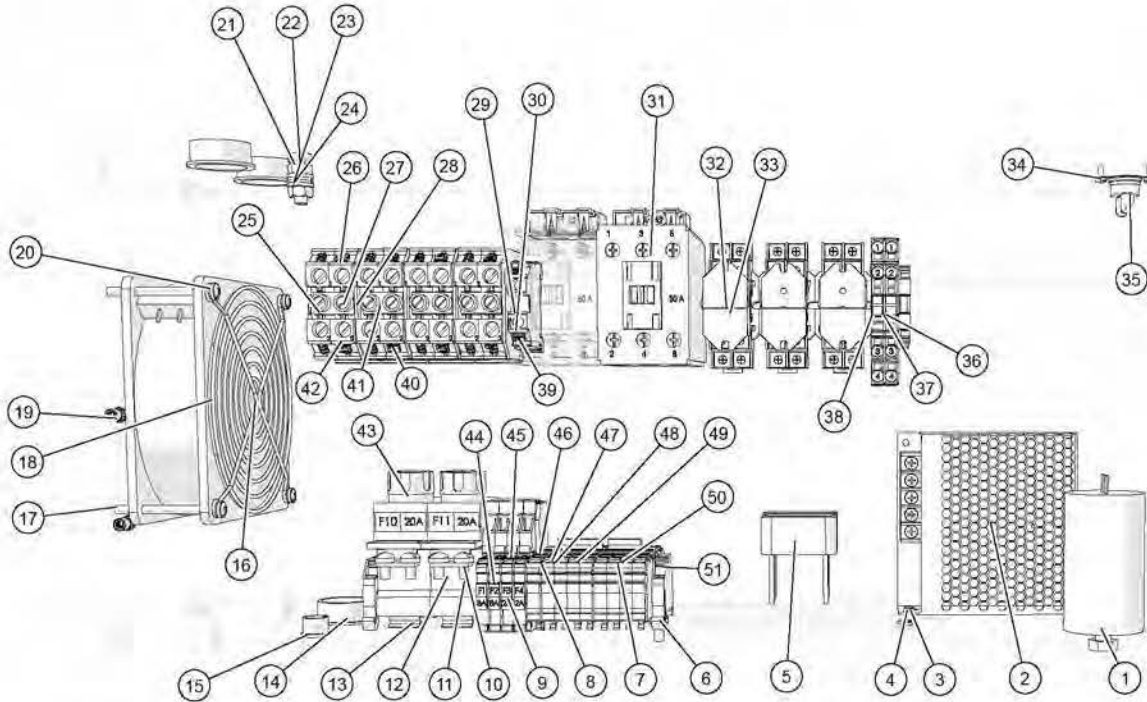
Electrical Chassis, 208V 1Ph, Express Touch (end view)



ID	Part No.	Description	Qty
1	SC-22268	SCREW,M3x0.5X8MM PAN	2
2	LT-3738	DOOR, INTERLOCK SWITCH	1
3	SC-29261	SCREW,M4x0.7X50MM PAN	8
4	SL-3836	SLEEVE, GROMMET EDGING 10.5"	1
5	BA-34670	BOARD, TOUCHSCREEN RELAY	1
6	TM-34884	TERMINAL, 3.5MM PLUGGABLE, 6 POLE	1
7	TM-34884	TERMINAL, 3.5MM PLUGGABLE, 6 POLE	4
8	TM-34881	TERMINAL, 3.5MM PLUGGABLE, 4 POLE	2
9	TM-34801	TERMINAL, 5MM PLUGGABLE, 9 POLE	2
10	TM-34889	TERMINAL, 3.5MM PLUGGABLE, 8 POLE	1
11	CB-34923	CABLE, 34-PIN RIBBON, 55MM LONG	1
12	TM-34931	TERMINAL, 3.5MM PLUGGABLE, 7 POLE	2
13	NU-29265	NUT, M8 X 6.4MM THK X 13MM HEX	4
14	SC-29264	SCREW, M8X28MM PLASTIC SOCKET	4
15	TM-34931	TERMINAL, 3.5MM PLUGGABLE, 7 POLE	1
16	TM-34796	TERMINAL, 5MM PLUGGABLE, 4 POLE	1
17	TM-34889	TERMINAL, 3.5MM PLUGGABLE, 8 POLE	3
18	TM-34934	TERMINAL, 3.5MM PLUGGABLE, 9 POLE	1
19	TM-34934	TERMINAL, 3.5MM PLUGGABLE, 9 POLE	1
20	SP-29266	SPACER, 13MM OD X 8.5MM ID	4
21	TM-34881	TERMINAL, 3.5MM PLUGGABLE, 4 POLE	1
22	WS-22300	WASHER, SPLIT LOCK	8
23	GD-2396	FAN GUARD, FITS AXIAL FANS	1
24	FA-36957	FAN,230V,MECHATRONICS,HI-TEMP	1
25	TI-35719	TIE, TWIST LOCK 0.5" STANDOFF	1
26	SC-38693	SCREW, #8-18 X 1/2", PHIL, PAN	7

5019000DV1_9

Electrical Chassis, 208-240V 1Ph, Simple



ID	Part No.	Description	Qty
1	CU-29886	CAPACITOR, 16uF	1
2	BA-36586	BOARD, POWER SUPPLY, 12V	1
3	WS-22299	WASHER, SPLIT LOCK, M3, 18-8 SST	2
4	SC-22268	SCREW, M3x0.5X8MM PAN	3
5	FI-33689	FILTER, CT, WW UNITS RC-MODULE	3
6	SC-22786	SCREW, M5x0.8X10MM PAN	1
7	TM-39574	TERMINAL, 6mm, ORANGE, SPRING	4
8	TM-39579	TERMINAL, GROUND, 6mm, SPRING	1
9	FU-33184	5X20MM, SLOW BLO, 2 AMP, 250V	4
10	FU-33447	FUSE, DO2 NEOZED GAUGE RING 20A	2
11	FU-33450	FUSE, DO2 NEOZED 20A, BLUE	2
12	FU-33444	FUSE, DO2 NEOZED BASE & COVER	2
13	WS-22301	WASHER, M5 SPLIT LOCK	2

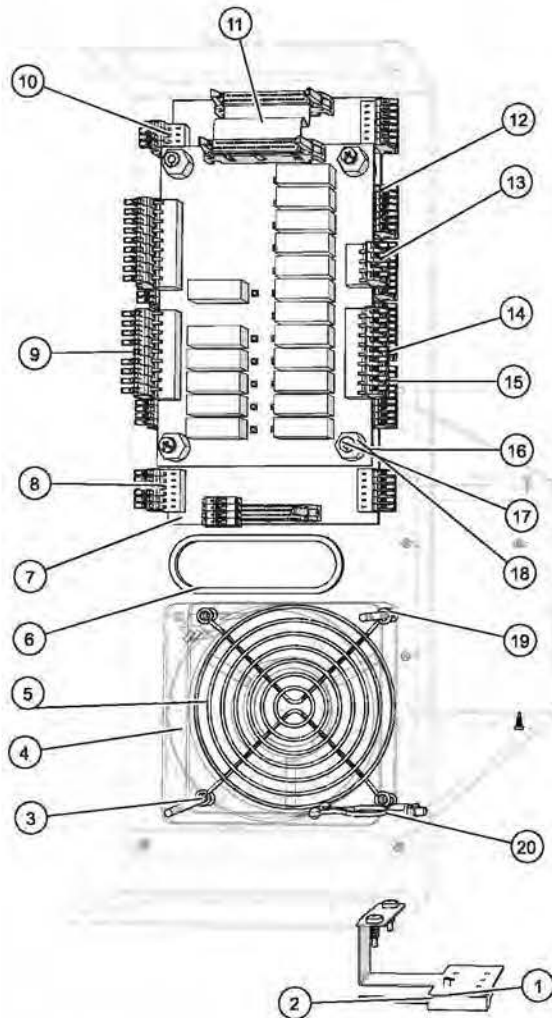
ID	Part No.	Description	Qty
14	BU-33778	1 1/8" SNAP BUSHING	3
15	BU-3006	1/2" HOLE BUSHING	2
16	GD-2396	FAN GUARD, FITS AXIAL FANS	2
17	SC-29281	SCREW, M4x0.7X50MM PAN	12
18	FA-36961	FAN, 230V, MECHATRONICS, HI-TEMP	2
19	NU-23609	NUT, HEX INSERT M5	3
20	WS-22300	WASHER, SPLIT LOCK, M4, 18-8 SST	6
21	NU-22291	M6-1.0 X HEX S/S NUT 18-8	2
22	SC-22824	SCREW, M6x1.0x20MM HEX	1
23	WS-22302	WASHER, SPLIT LOCK, M6, 18-8 SST	2
24	WS-22297	WASHER, FLAT, M6, 18-8 SST	2
25	TM-39608	TERMINAL, SCREWLESS END	2
26	TM-3788	TERMINALS, MARK, L	4

ID	Part No.	Description	Qty
27	TM-47502	CONNECTOR, CROSS, 2-POLE, 12M	2
28	TM-47501	TERMINAL, 12MM, 71A, 1000V	4
29	TM-47504	TERMINAL, GROUND, 10MM, 1000V	1
30	TM-3799	TERMINALS, MARK, E	2
31	CN-3731	CONTACTOR, 60 AMP	1
32	RL-34634	UNIVERSAL MOUNTING SOCKET	3
33	RL-33483	RELAY, 240V LY1F	2
34	SC-22266	SCREW, M3x0.5X8MM PAN	2
35	TT-35303	THERMOSTAT, BI-METAL B0-100°F	1
36	TM-39574	TERMINAL, 6mm, ORANGE, SPRING	1
37	TM-39578	TERMINAL, END SECTION, SPRING	2
38	TM-39575	TERMINAL, 6mm, BLUE, SPRING	1
39	TM-3789	TERMINALS, MARK, P	2

ID	Part No.	Description	Qty
40	TM-3791	TERMINALS, MARK, 2	2
41	TM-47503	END PLATE, 12MM TERMINAL	2
42	TM-3790	TERMINALS, MARK, 1	2
43	FU-33445	FUSE, DO2 NEOZED SCREW CAP	2
44	FU-35304	5X20MM, SLOW BLO, 8AMP, 250V	4
45	TM-39577	TERMINAL, FUSE HOLDER	4
46	TM-39578	TERMINAL, END PLATE	1
47	TM-39578	TERMINAL, END SECTION, SPRING	3
48	TM-39575	TERMINAL, 6mm, BLUE, SPRING	4
49	TM-39583	JUMPER, 4 POLE	1
50	TM-39584	JUMPER, 3 POLE	1
51	TM-39608	TERMINAL, SCREWLESS END	2

5019007_12

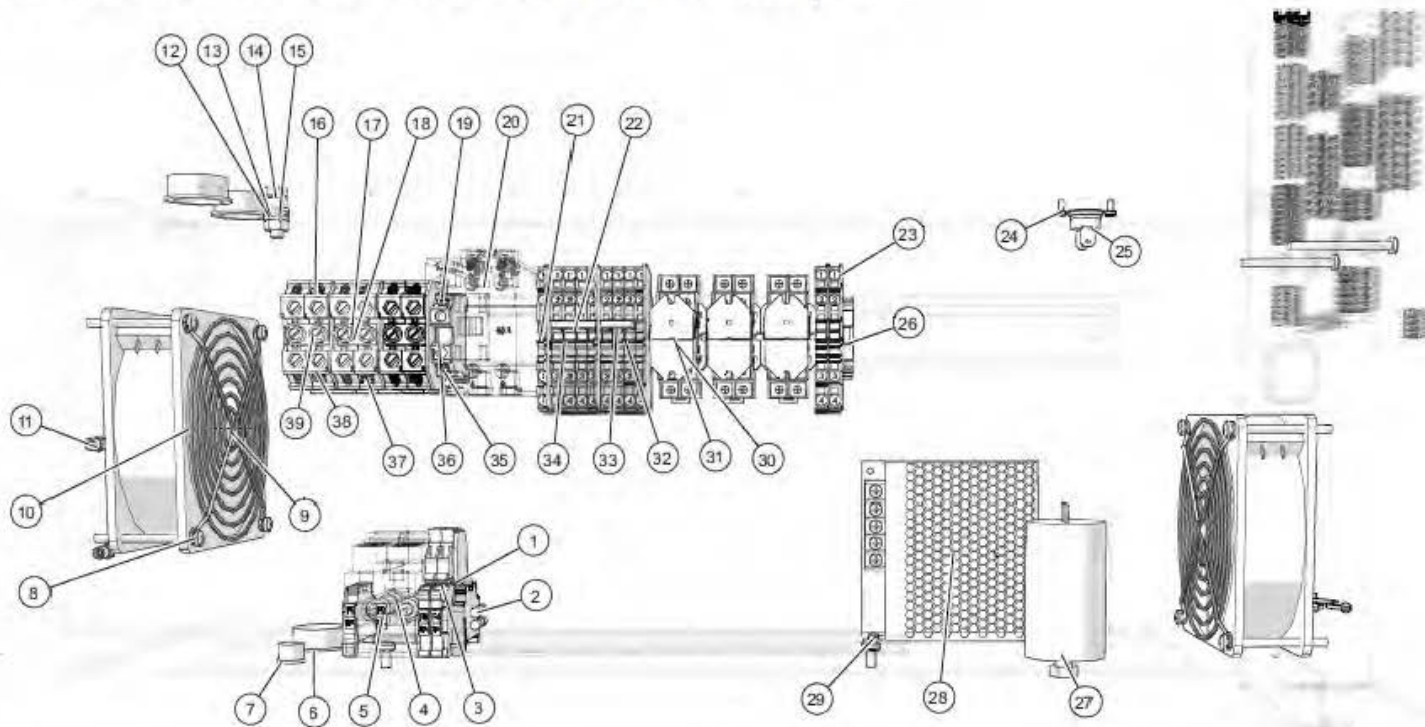
Electrical Chassis, 208-240V 1Ph, Simple (end view)



ID	Part No.	Description	Qty
1	SC-22268	SCREW, M3x0.5X8MM PAN	1
2	LT-3738	DOOR, INTERLOCK SWITCH	1
3	SC-29261	SCREW, M4x0.7X50MM PAN	7
4	FA-36957	FAN, 230V, MECHATRONICS, HI-TEMP	1
5	GD-2396	FAN GUARD, FITS AXIAL FANS	1
6	SL-3836	SLEEVE, GROMMET EDGING 10.5"	1
7	BA-34670	BOARD, TOUCHSCREEN RELAY	1
8	TM-34884	TERMINAL, 3.5MM PLUGGABLE, 6 POLE	5
9	TM-34801	TERMINAL, 5MM PLUGGABLE, 9 POLE	2
10	TM-34881	TERMINAL, 3.5MM PLUGGABLE, 4 POLE	3
11	CB-34923	CABLE, 34-PIN RIBBON, 55MM LONG	1
12	TM-34931	TERMINAL, 3.5MM PLUGGABLE, 7 POLE	3
13	TM-34796	TERMINAL, 5MM PLUGGABLE, 4 POLE	1
14	TM-34889	TERMINAL, 3.5MM PLUGGABLE, 8 POLE	4
15	TM-34934	TERMINAL, 3.5MM PLUGGABLE, 9 POLE	2
16	SC-29264	SCREW, M8X28MM PLASTIC SOCKET	4
17	NU-29265	NUT, M8 X 6.4MM THK X 13MM HEX	4
18	SP-29266	SPACER, 13MM OD X 8.5MM ID	4
19	WS-22300	WASHER, SPLIT LOCK, M4, 18-8 SST	8
20	TI-35719	TIE, TWIST LOCK 0.5" STANDOFF	1

5019007DV1_12

Electrical Chassis, 208-240V 3Ph, Simple



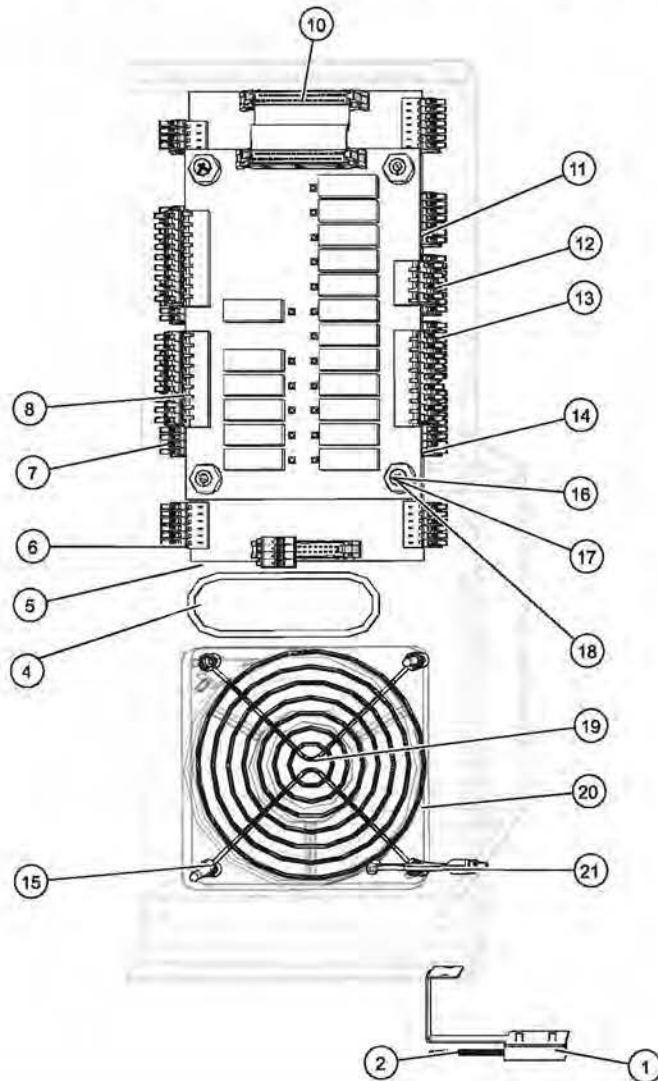
ID	Part No.	Description	Qty
1	TM-39578	TERMINAL, END PLATE	1
2	FU-30184	5X20MM, SLOW BLO, 2 AMP, 250V	4
3	TM-39577	TERMINAL, FUSE HOLDER	2
4	FU-34771	FUSE HOLDER, 2 BANK	1
5	FU-35475	FUSE, 8 AMP	2
6	BU-3378	1 1/8" SNAP BUSHING	3
7	BU-3006	1/2" HOLE BUSHING	2
8	SC-29261	SCREW M4x0.7X50MM PAN	12
9	GD-2396	FAN GUARD, FITS AXIAL FANS	2
10	FA-36957	FAN, 230V/MECHATRONICS, HI-TEMP	2
11	NU-23909	NUT, HEX INSERT M5	3
12	WS-22247	WASHER, FLAT, M6, 18-8 SST	2
13	WS-22302	WASHER, SPLIT LOCK	2
14	SC-29294	SCREW, M6x1.0x20MM HEX	1

ID	Part No.	Description	Qty
15	NU-22291	M6-1.0 X HEX S/S NUT 18-8	2
16	TM-3788	TERMINALS, MARK, L	4
17	TM-47503	END PLATE, 12MM TERMINAL	2
18	TM-47501	TERMINAL, 12MM, 71A, 1000V	4
19	TM-3799	TERMINALS, MARK, E	2
20	CN-3731	CONTACTOR, 50 AMP	1
21	TM-39579	TERMINAL, GROUND, 6mm, SPRING	1
22	TM-39583	JUMPER, 4 POLE	1
23	TM-39576	TERMINAL, END SECTION, SPRING	5
24	SC-22266	SCREW M3x0.5X8MM PAN	1
25	TT-35303	THERMOSTAT, BI-METAL 80-100°F	1
26	TM-39606	TERMINAL, SCREWLESS END	2
27	CU-29686	CAPACITOR, 16µF	1
28	BA-38586	BOARD, POWER SUPPLY, 12V	1

ID	Part No.	Description	Qty
29	WS-22299	WASHER, SPLIT LOCK, M3, 18-8 SST	2
30	RL-33483	RELAY, 240V/1Y1F	3
31	RL-34634	UNIVERSAL MOUNTING SOCKET	3
32	TM-39574	TERMINAL, 6mm, ORANGE, SPRING	5
33	TM-39584	JUMPER, 3 POLE	1
34	TM-39575	TERMINAL, 6mm, BLUE, SPRING	5
35	TM-3789	TERMINALS, MARK, P	2
36	TM-47504	TERMINAL, GROUND, 10MM, 1000V	1
37	TM-3791	TERMINALS, MARK, 2	2
38	TM-3790	TERMINALS, MARK, 1	2
39	TM-47502	CONNECTOR, CROSS, 2-POLE, 12M	2

5019005_12

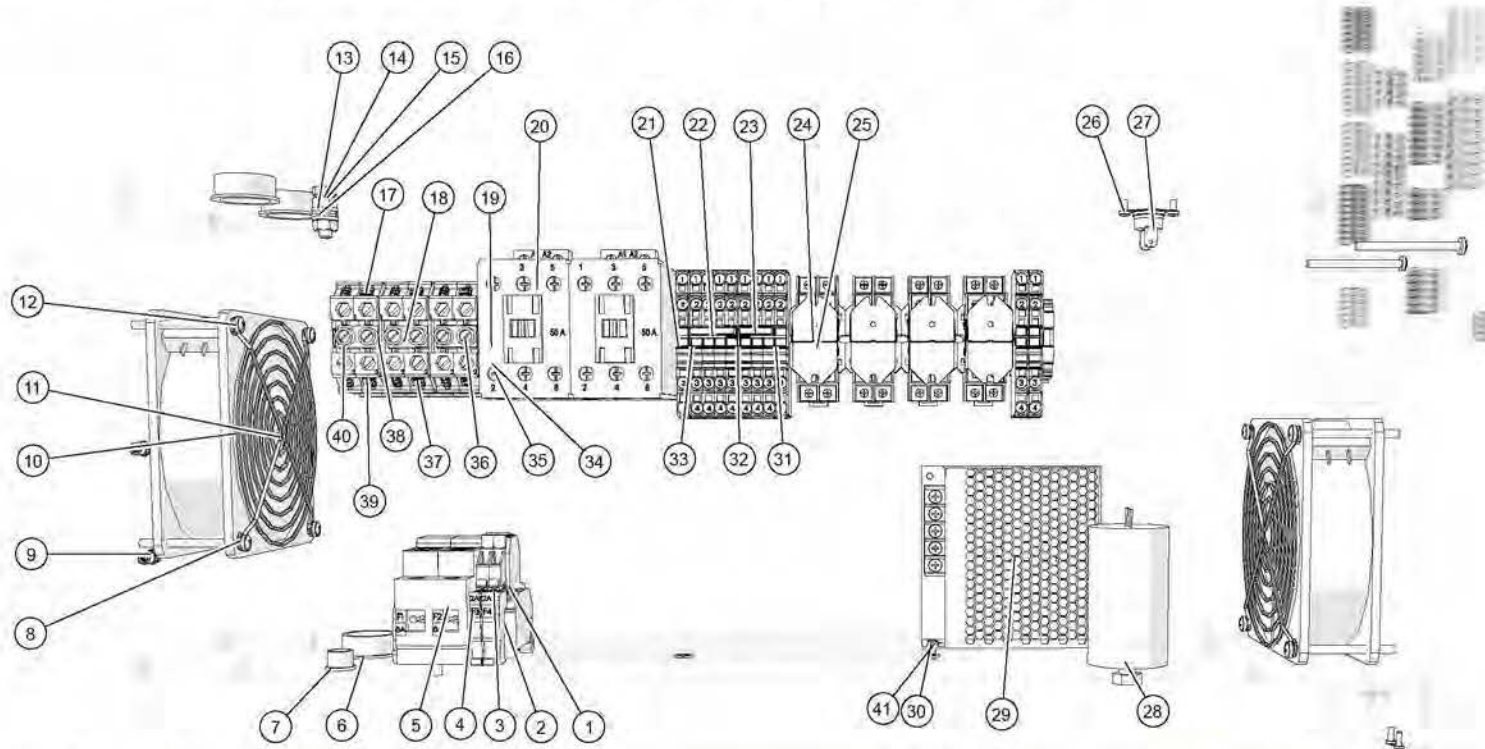
Electrical Chassis, 208-240V 3Ph, Simple (end view)



ID	Part No.	Description	Qty
1	SC-22268	SCREW, PHH SST A2 MS	2
2	LT-3738	DOOR, INTERLOCK SWITCH	1
4	SL-3836	SLEEVE, GROMMET EDGING 10.5"	1
5	BA-34670	BOARD, TOUCHSCREEN RELAY	1
6	TM-34884	TERMINAL, 3.5MM PLUGGABLE, 6 POLE	5
7	TM-34881	TERMINAL, 3.5MM PLUGGABLE, 4 POLE	5
8	TM-34801	TERMINAL, 5MM PLUGGABLE, 9 POLE	5
10	CB-34923	CABLE, 34-PIN RIBBON, 55MM LONG	1
11	TM-34931	TERMINAL, 3.5MM PLUGGABLE, 7 POLE	3
12	TM-34796	TERMINAL, 5MM PLUGGABLE, 4 POLE	2
13	TM-34889	TERMINAL, 3.5MM PLUGGABLE, 8 POLE	4
14	TM-34934	TERMINAL, 3.5MM PLUGGABLE, 9 POLE	2
15	WS-22300	WASHER, SPLIT LOCK, M4, 18-8 SST	8
16	NU-29265	NUT, M8 X 6.4MM THK X 13MM HEX	4
17	SP-29266	SPACER, 13MM OD X 8.5MM ID	4
18	SC-29264	SCREW, M8X28MM PLASTIC SOCKET	4
19	GD-2396	FAN GUARD, FITS AXIAL FANS	1
20	FA-36957	FAN, 230V, MECHATRONICS, HI-TEMP	1
21	TI-35719	TIE, TWIST LOCK 0.5" STANDOFF	1

5019005DV1_12

Electrical Chassis, 208-240V 3Ph, Express Touch



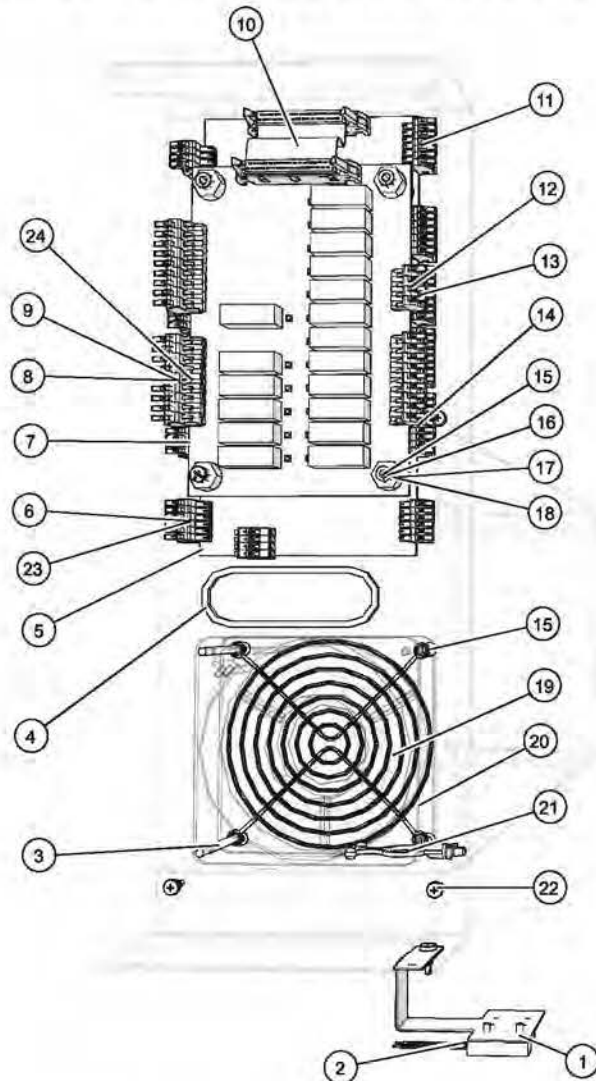
ID	Part No.	Description	Qty
1	TM-39578	TERMINAL, END PLATE	1
2	FU-33184	5X20MM, SLOW BLO, 2 AMP, 250V	4
3	TM-39577	TERMINAL, FUSE HOLDER,	2
4	FU-35475	FUSE, 8 AMP	2
5	FU-34771	FUSE HOLDER, 2 BANK	1
6	BU-3378	1 1/8" SNAP BUSHING	3
7	BU-3006	1/2" HOLE BUSHING	2
8	WS-22300	WASHER, SPLIT LOCK, M4, 18-8 SST	8
9	NU-23909	NUT, HEX INSERT M5	3
10	FA-36957	FAN, 230V, MECHATRONICS, HI-TEMP	2
11	GD-2396	FAN GUARD, FITS AXIAL FANS	2
12	SC-29261	SCREW, M4x0.7X50MM PAN	12
13	WS-22297	WASHER, FLAT	2
14	SC-22924	SCREW, M6x1.0x20MM HEX	1

ID	Part No.	Description	Qty
15	NU-22291	M6-1.0 X HEX S/S NUT 18-8	2
16	WS-22302	WASHER, SPLIT LOCK	2
17	TM-3790	TERMINALS, MARK, 1	2
18	TM-47503	END PLATE, 12MM TERMINAL	2
19	TM-47504	TERMINAL, GROUND, 10MM, 1000V	1
20	CN-3731	CONTACTOR, 50 AMP	1
21	TM-39579	TERMINAL, GROUND, 6mm, SPRING	1
22	TM-39583	JUMPER, 4 POLE	1
23	TM-39584	JUMPER, 3 POLE	1
24	RL-34634	UNIVERSAL MOUNTING SOCKET	4
25	RL-33483	RELAY, 240V LY1F	4
26	SC-22266	SCREW, M3X0.5X6MM PAN	3
27	TT-35303	THERMOSTAT, BI-METAL 80-100°F	1
28	CU-29666	CAPACITOR, 16uF	1

ID	Part No.	Description	Qty
29	BA-39566	BOARD, POWER SUPPLY, 12V	1
30	SC-22268	SCREW, M3x0.5X8MM PAN	4
31	TM-39574	TERMINAL, 6mm, ORANGE, SPRING	5
32	TM-39576	TERMINAL, END SECTION, SPRING	5
33	TM-39575	TERMINAL, 6mm, BLUE, SPRING	5
34	TM-3799	TERMINALS, MARK, E	2
35	TM-3789	TERMINALS, MARK, P	2
36	TM-47502	CONNECTOR, CROSS, 2-POLE, 12M	2
37	TM-3791	TERMINALS, MARK, 2	2
38	TM-47501	TERMINAL, 12MM, 71A, 1000V	4
39	TM-3788	TERMINALS, MARK, L	4
40	TM-39606	TERMINAL, SCREWLESS END	2
41	WS-22299	WASHER, SPLIT LOCK, M3, 18-8 SST	2

5019001_9

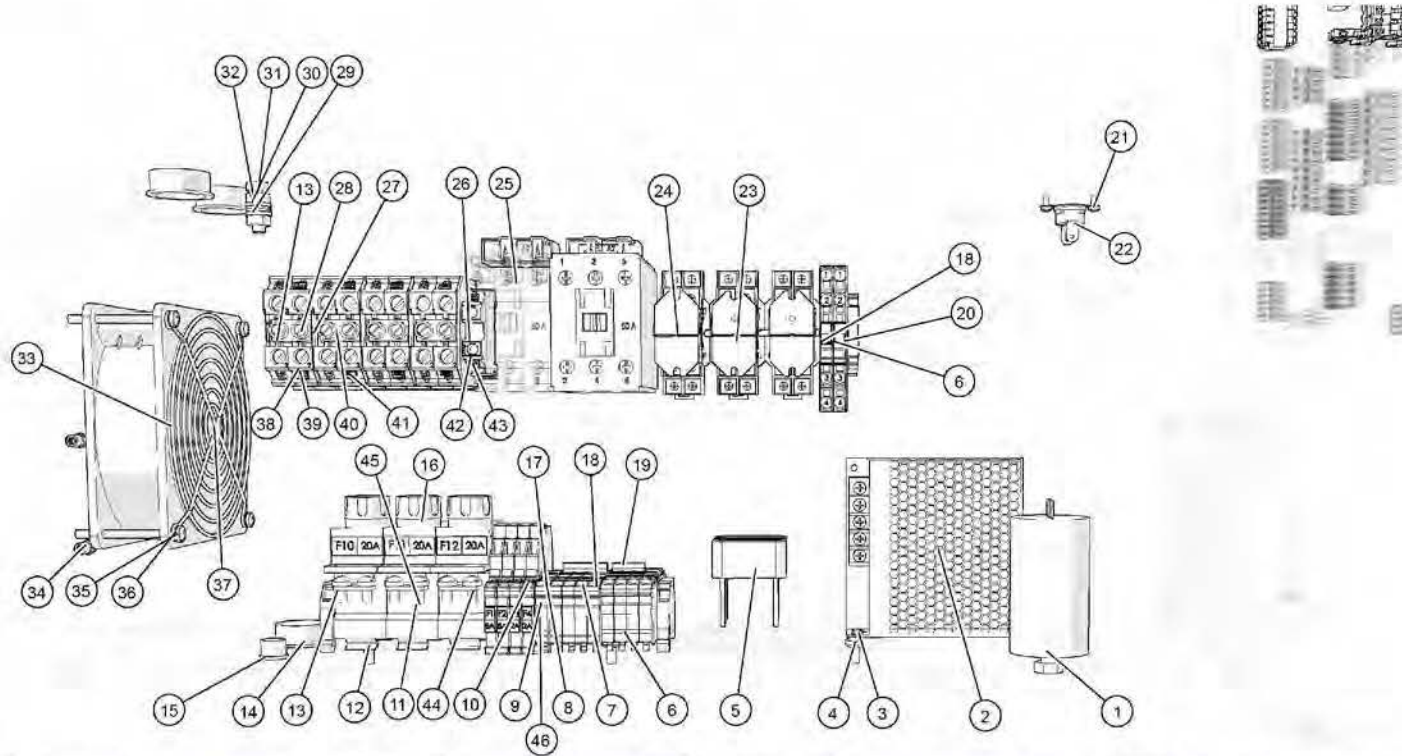
Electrical Chassis, 208-240V 3Ph, Express Touch (end view)



ID	Part No.	Description	Qty
1	SC-22268	SCREW,M3x0.5X8MM PAN	2
2	LT-3738	DOOR, INTERLOCK SWITCH	1
3	SC-29261	SCREW,M4x0.7X50MM PAN	2
4	SL-3836	SLEEVE, GROMMET EDGING 10.5"	1
5	BA-34670	BOARD, TOUCHSCREEN RELAY	1
6	TM-34884	TERMINAL, 3.5MM PLUGGABLE, 6 POLE	4
7	TM-34881	TERMINAL, 3.5MM PLUGGABLE, 4 POLE	3
8	TM-34801	TERMINAL, 5MM PLUGGABLE, 9 POLE	3
9	TM-34801	TERMINAL, 5MM PLUGGABLE, 9 POLE	2
10	CB-34923	CABLE, 34-PIN RIBBON, 55MM LONG	1
11	TM-34931	TERMINAL, 3.5MM PLUGGABLE, 7 POLE	3
12	TM-34796	TERMINAL, 5MM PLUGGABLE, 4 POLE	2
13	TM-34889	TERMINAL, 3.5MM PLUGGABLE, 8 POLE	3
14	TM-34934	TERMINAL, 3.5MM PLUGGABLE, 9 POLE	2
15	WS-22300	WASHER, SPLIT LOCK, M4, 18-8 SST	8
16	NU-29265	NUT, M8 X 6.4MM THK X 13MM HEX	4
17	SP-29266	SPACER, 13MM OD X 8.5MM ID	4
18	SC-29264	SCREW, M8X28MM PLASTIC SOCKET	4
19	GD-2396	FAN GUARD, FITS AXIAL FANS	1
20	FA-36957	FAN,230V,MECHATRONICS,HI-TEMP	1
21	TI-35719	TIE, TWIST LOCK 0.5" STANDOFF	1
22	SC-38693	SCREW, #8-18 X 1/2", PHIL, PAN	5
23	TM-34884	TERMINAL, 3.5MM PLUGGABLE, 6 POLE	1
24	TM-34889	TERMINAL, 3.5MM PLUGGABLE, 8 POLE	1

5019001DV1_9

Electrical Chassis, 380-415V 3Ph, Simple



ID	Part No.	Description	Qty
1	CU-29868	CAPACITOR 16µF	1
2	BA 36580	BOARD, POWER SUPPLY, 12V	1
3	WS-22209	WASHER, SPLIT LOCK, M3, 18-8 SST	2
4	SC-22766	SCREW M5x0.8X10MM PAN	2
5	FI-33969	FILTER, CT, WW UNITS, RC MODULE	3
6	TM-39574	TERMINAL, 6mm, ORANGE, SPRING	5
7	TM-39583	JUMPER, 4 POLE	1
8	TM-36578	TERMINAL, END PLATE	1
9	FU-33184	5X20MM, SLOW BLO, 2 AMP 250V	4
10	TM-39577	TERMINAL, FUSE HOLDER	2
11	FU-93444	FUSE, DO2 NEOZED BASE & COVER	3
12	WS-22301	WASHER, M5 SPLIT LOCK	1

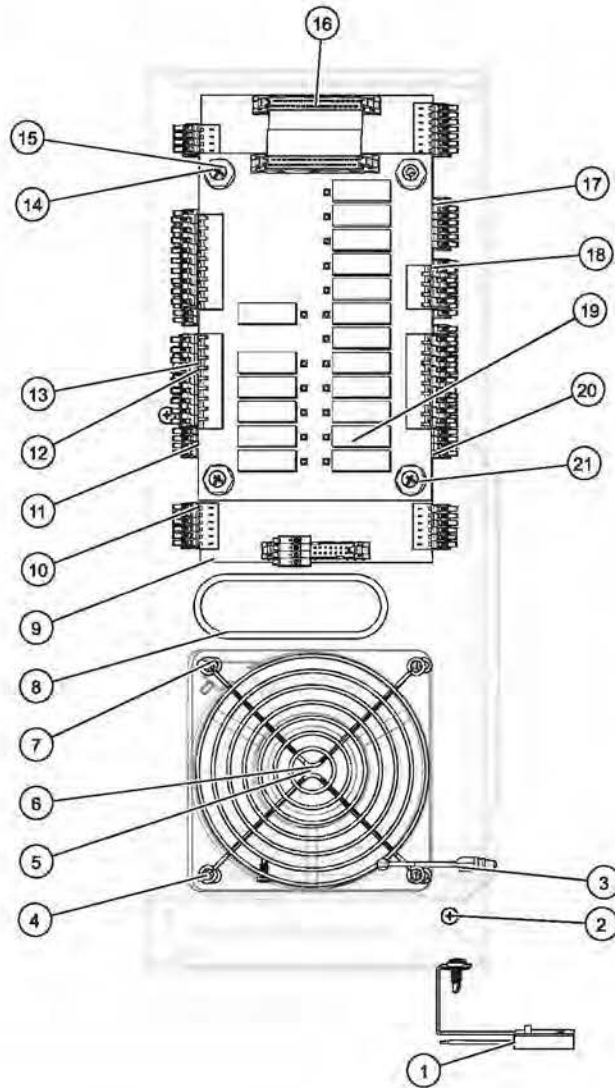
ID	Part No.	Description	Qty
13	TM-39608	TERMINAL, SCREW LESS END	3
14	BU-3376	1 1/8" SNAP BUSHING	3
15	BU-3006	1/2" HOLE BUSHING	2
16	FU-83445	FUSE, DO2 NEOZED SCREW CAP	3
17	TM-39579	TERMINAL, GROUND, 6mm, SPRING	1
18	TM-39575	TERMINAL, 6mm, BLUE, SPRING	5
19	TM-39584	JUMPER, 3 POLE	1
20	TM-39576	TERMINAL, END SECTION, SPRING	6
21	SC-22266	SCREW, M3x0.5X6MM PAN	1
22	TT-35303	THERMOSTAT, BI-METAL, 80-100°F	1
23	RL-33403	RELAY, 240V LY1F	3
24	RL-34834	UNIVERSAL MOUNTING SOCKET	3

ID	Part No.	Description	Qty
25	CN-3731	CONTACTOR, 50 AMP	1
26	TM-47504	TERMINAL, GROUND, 10MM, 1000V	1
27	TM-47501	TERMINAL, 12MM, 71A, 1000V	4
28	TM-47502	CONNECTOR, CROSS, 2-POLE, 12M	2
29	WS-22302	WASHER, SPLIT LOCK, M6, 18-8 SST	2
30	WS-22297	WASHER, FLAT, M6, 18-8 SST	1
31	SC-22624	SCREW, M6x1.0x20MM HEX	1
32	NU-22261	M6-1.0 X HEX S/S NUT 18-8	2
33	FA-39257	FAN 230V MECHATRONICS, HI-TEMP	2
34	NU-23909	NUT, HEX INSERT M5	3
35	SC-29261	SCREW, M4x0.7X50MM PAN	4
36	WS-22300	WASHER, SPLIT LOCK, M4, 18-8 SST	6

ID	Part No.	Description	Qty
37	GD-2396	FAN GUARD, FITS AXIAL FANS	2
38	TM-3760	TERMINALS, MARK, 1	2
39	TM-3788	TERMINALS, MARK, L	4
40	TM-47503	END PLATE, 12MM TERMINAL	2
41	TM-3791	TERMINALS, MARK, 2	2
42	TM-3769	TERMINALS, MARK, E	2
43	TM-3789	TERMINALS, MARK, P	2
44	FU-33447	FUSE, DO2 NEOZED GAUGE RING 20A	3
45	FU-33450	FUSE, DO2 NEOZED 20A, BLUE	3
46	FU-36504	5X20MM, SLOW BLO, 8AMP 250V	2

5019006_12

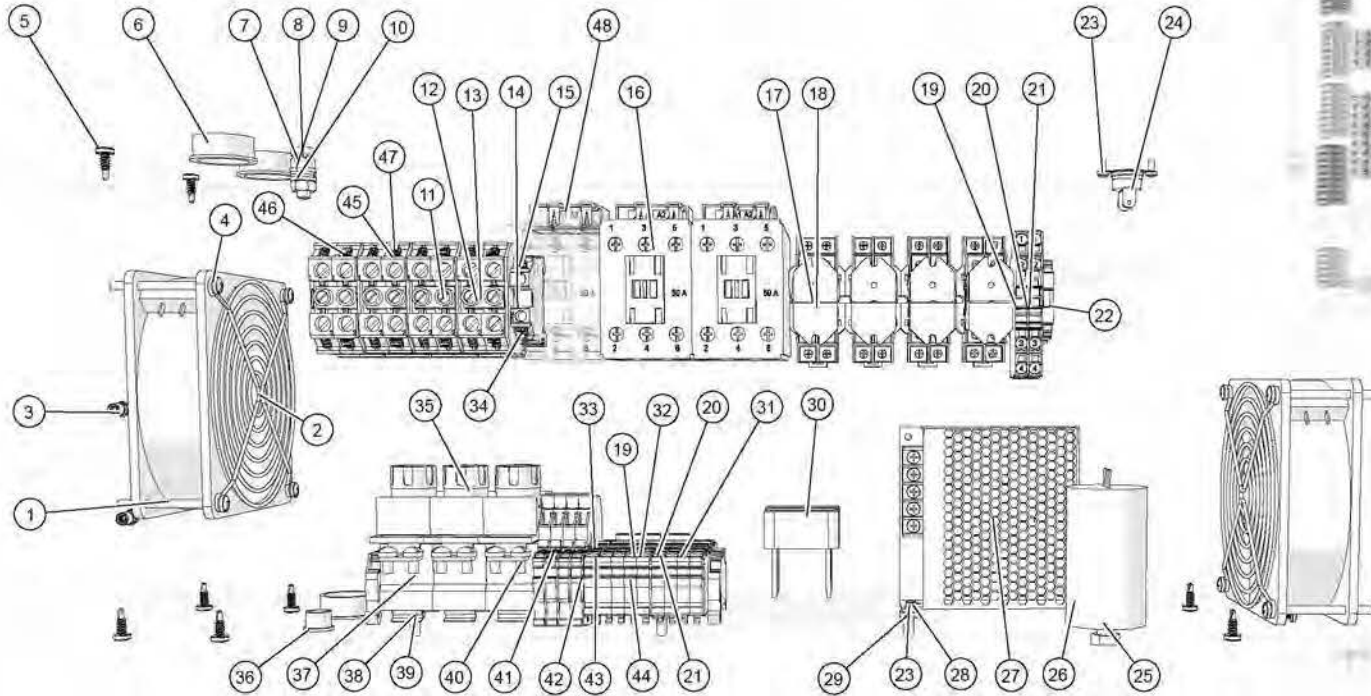
Electrical Chassis, 380-415V 3Ph, Simple (end view)



ID	Part No.	Description	Qty
1	LT-3738	DOOR, INTERLOCK SWITCH	1
2	SC-38693	SCREW, #8-18 X 1/2", PHIL, PAN	5
3	TI-35719	TIE, TWIST LOCK 0.5" STANDOFF	1
4	SC-29261	SCREW, M4x0.7X50MM PAN	5
5	FA-36957	FAN, 230V, MECHATRONICS, HI-TEMP	1
6	GD-2396	FAN GUARD, FITS AXIAL FANS	1
7	WS-22300	WASHER, SPLIT LOCK, M4, 18-8 SST	8
8	SL-3836	SLEEVE, GROMMET EDGING 10.5"	1
9	BA-34670	BOARD, TOUCHSCREEN RELAY	1
10	TM-34884	TERMINAL, 3.5MM PLUGGABLE, 6 POLE	5
11	TM-34881	TERMINAL, 3.5MM PLUGGABLE, 4 POLE	3
12	TM-34801	TERMINAL, 5MM PLUGGABLE, 9 POLE	5
13	TM-34889	TERMINAL, 3.5MM PLUGGABLE, 8 POLE	4
14	NU-29265	NUT, M8 X 6.4MM THK X 13MM HEX	4
15	SP-29266	SPACER, 13MM OD X 8.5MM ID	4
16	CB-34923	CABLE, 34-PIN RIBBON, 55MM LONG	1
17	TM-34931	TERMINAL, 3.5MM PLUGGABLE, 7 POLE	3
18	TM-34796	TERMINAL, 5MM PLUGGABLE, 4 POLE	2
19	SC-22266	SCREW, M3x0.5X6MM PAN	1
20	TM-34934	TERMINAL, 3.5MM PLUGGABLE, 9 POLE	2
21	SC-29264	SCREW, M8X28MM PLASTIC SOCKET	4

5019006DV1_12

Electrical Chassis, 380-415V 3Ph, Express Touch



ID	Part No.	Description	Qty
1	FA-36957	FAN,230V,MECHATRONICS HI-TEMP	2
2	GD-2396	FAN GUARD, FITS AXIAL FANS	2
3	NU-23909	NUT, HEX INSERT M5	3
4	WS-22300	WASHER, SPLIT LOCK, M4, 18-8 SST	8
5	SC-38693	SCREW, #8-18 X 1/2", PHIL, PAN	10
6	BU-3378	1 1/8" SNAP BUSHING	3
7	NU-22291	M8-1.0 X HEX S/S NUT 18-8	2
8	SC-22924	SCREW, M6x1.0x20MM HEX	1
9	WS-22297	WASHER, FLAT, M6, 18-8 SST	2
10	WS-22302	WASHER, SPLIT LOCK	2
11	TM-47502	CONNECTOR, CROSS, 2-POLE, 12M	2
12	TM-47503	END PLATE, 12MM TERMINAL	2
13	TM-47501	TERMINAL, 12MM, 71A, 1000V	4

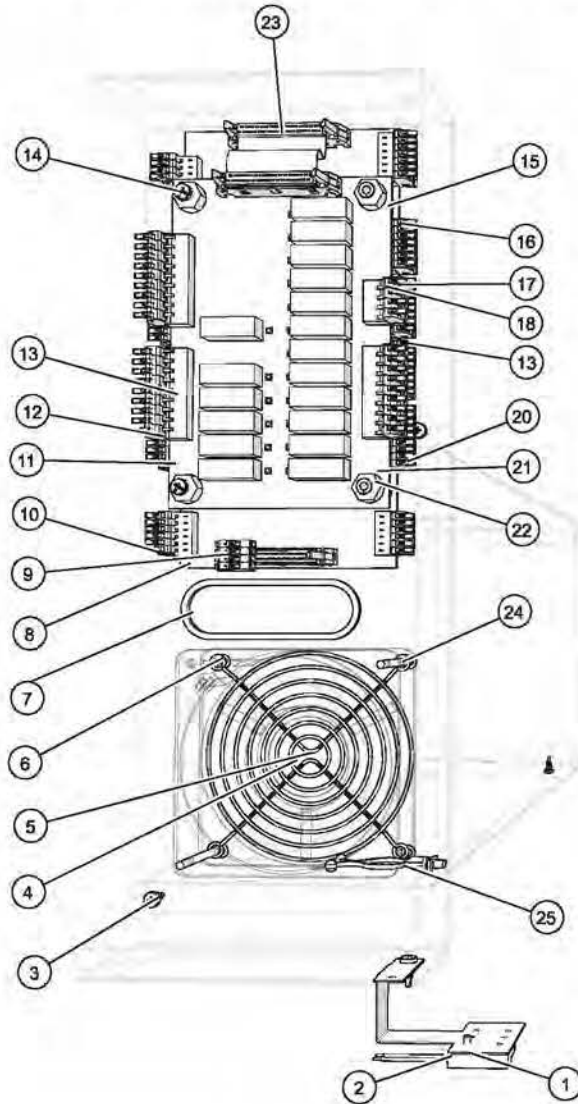
ID	Part No.	Description	Qty
14	TM-47504	TERMINAL, GROUND, 10MM, 1000V	1
15	TM-3799	TERMINALS, MARK, E	2
16	CN-3731	CONTACTOR, 50 AMP	3
17	RL-34834	UNIVERSAL MOUNTING SOCKET	4
18	RL-33483	RELAY, 240V LY1F	4
19	TM-39575	TERMINAL, 6mm, BLUE, SPRING	5
20	TM-39576	TERMINAL, END SECTION, SPRING	5
21	TM-39574	TERMINAL, 6mm, ORANGE, SPRING	5
22	TM-39606	TERMINAL, SCREWLESS END	4
23	SC-22296	SCREW, PHH SST A2 MS	3
24	TT-35303	THERMOSTAT, BI-METAL 80-100°F	1
25	CU-29666	CAPACITOR, 16uF	1
26	SC-22288	SCREW, PHH SST A2 MS	3

ID	Part No.	Description	Qty
27	BA-38588	BOARD, POWER SUPPLY, 12V	1
28	WS-22299	WASHER, SPLIT LOCK, M3, 18-8 SST	2
29	SC-22766	SCREW M5x0.8X10MM PAN	1
30	FI-33689	FILTER, CT,WW UNITS,RC-MODULE	3
31	TM-39584	JUMPER, 3 POLE	1
32	TM-39583	JUMPER, 4 POLE	1
33	TM-39578	TERMINAL, END PLATE	1
34	TM-3789	TERMINALS, MARK, P	2
35	FU-33445	FUSE, DO2 NEOZED SCREW CAP	3
36	BU-3006	1/2" HOLE BUSHING	2
37	FU-33450	FUSE,DO2 NEOZED 20A, BLUE	3
38	SC-22766	SCREW M5x0.8X10MM PAN	2
39	WS-22301	WASHER, M5 SPLIT LOCK	2

ID	Part No.	Description	Qty
40	FU-33447	FUSE, DO2 NEOZED GAUGE RING 20A	3
41	TM-39577	TERMINAL, FUSE HOLDER	4
42	FU-35304	5X20MM, SLOW BLO, 8AMP, 250V	4
43	TM-39579	TERMINAL, GROUND, 6mm, SPRING	1
44	FU-33184	5X20MM, SLOW BLO, 2 AMP, 250V	4
45	TM-3788	TERMINALS, MARK, L	4
46	TM-3790	TERMINALS, MARK, 1	2
47	TM-3791	TERMINALS, MARK, 2	2
48	FI-33990	EMI FILTER	3

5019003_12

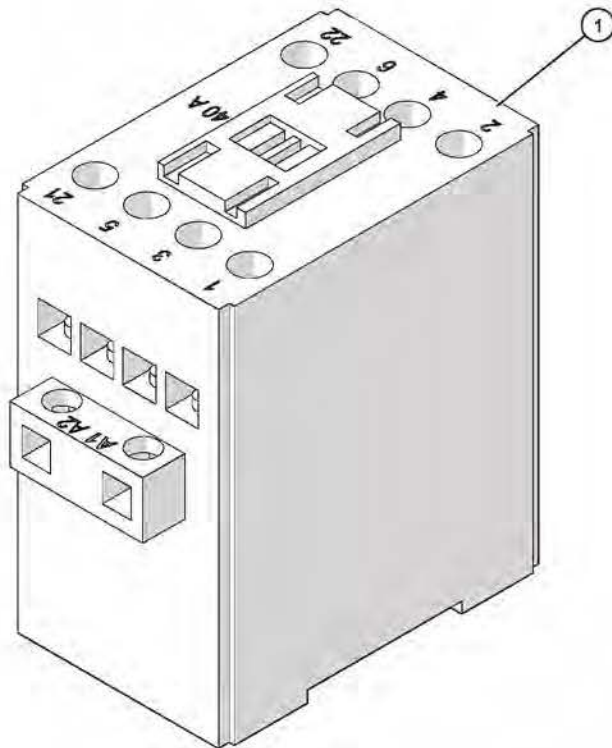
Electrical Chassis, 380-415V 3Ph, Express Touch (end view)



ID	Part No.	Description	Qty
1	SC-22268	SCREW,M3x0.5X8MM PAN	1
2	LT-3738	DOOR, INTERLOCK SWITCH	1
3	SC-38693	SCREW, #8-18 X 1/2", PHIL, PAN	5
4	FA-36957	FAN,230V,MECHATRONICS,HI-TEMP	1
5	GD-2396	FAN GUARD, FITS AXIAL FANS	1
6	WS-22300	WASHER, SPLIT LOCK, M4, 18-8 SST	8
7	SL-3836	SLEEVE, GROMMET EDGING 10.5"	1
8	BA-34670	BOARD, TOUCHSCREEN RELAY	1
9	TM-34881	TERMINAL, 3.5MM PLUGGABLE, 4 POLE	3
10	TM-34884	TERMINAL, 3.5MM PLUGGABLE, 6 POLE	5
11	TM-34881	TERMINAL, 3.5MM PLUGGABLE, 4 POLE	2
12	TM-34801	TERMINAL, 5MM PLUGGABLE, 9 POLE	5
13	TM-34889	TERMINAL, 3.5MM PLUGGABLE, 8 POLE	4
14	NU-29265	NUT, M8 X 6.4MM THK X 13MM HEX	4
15	SC-29264	SCREW, M8X28MM PLASTIC SOCKET	4
16	TM-34931	TERMINAL, 3.5MM PLUGGABLE, 7 POLE	3
17	TM-34796	TERMINAL, 5MM PLUGGABLE, 4 POLE	1
18	TM-34796	TERMINAL, 5MM PLUGGABLE, 4 POLE	1
20	TM-34934	TERMINAL, 3.5MM PLUGGABLE, 9 POLE	2
21	SC-22268	SCREW,M3x0.5X6MM PAN	2
22	SP-29266	SPACER, 13MM OD X 8.5MM ID	4
23	CB-34923	CABLE, 34-PIN RIBBON, 55MM LONG	1
24	SC-29261	SCREW,M4x0.7X50MM PAN	3
25	TI-35719	TIE, TWIST LOCK 0.5" STANDOFF	1

5019003DV1_12

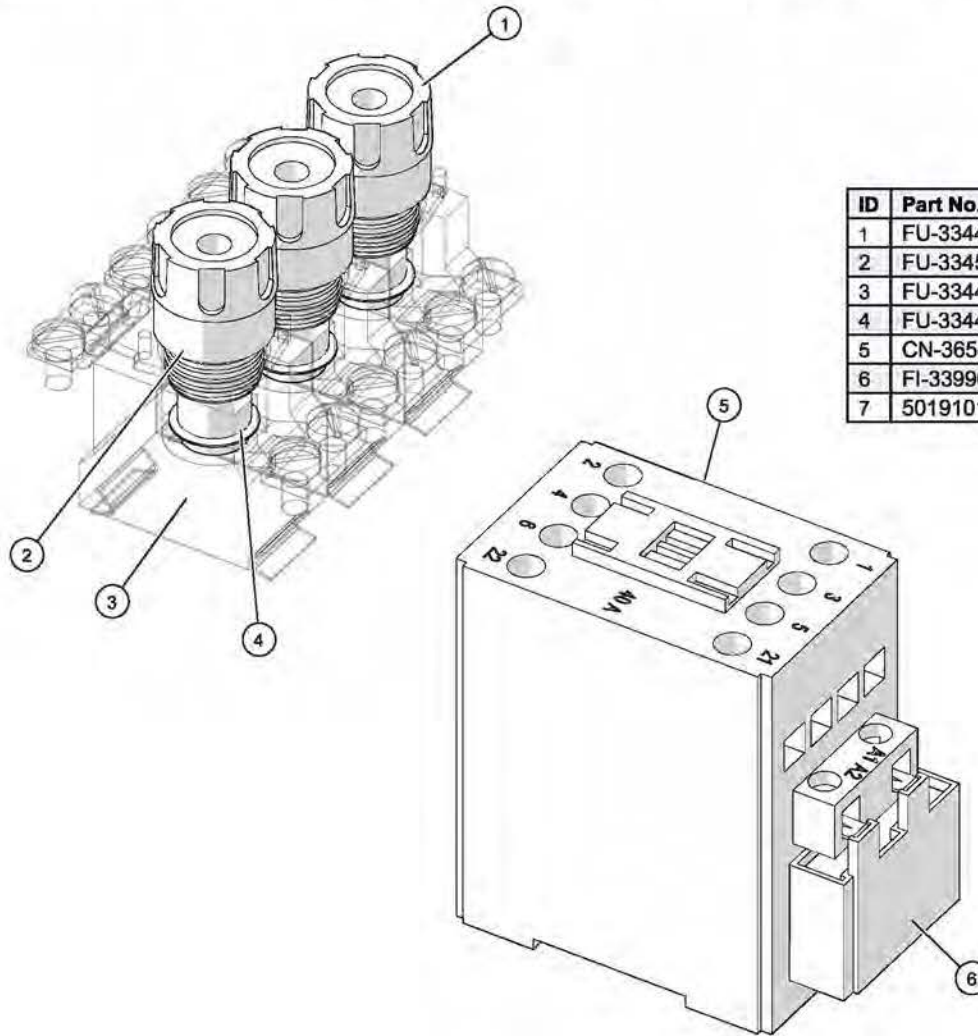
Electrical Package, Browning Bar Add-On (120V, 208-240V)



ID	Part No.	Description	Qty
1	CN-3654	CONTACTOR, 40 AMP	1
2	5019096	WIRE ASSY, 208-240V, 3PH (not shown)	1

5015918 2

Electrical Package, Browning Bar Add-On (380-415V)



ID	Part No.	Description	Qty
1	FU-33445	FUSE, DO2 NEOZED SCREW CAP	3
2	FU-33450	FUSE, DO2 NEOZED 20A, BLUE	3
3	FU-33444	FUSE, DO2 NEOZED BASE SNAP-ON	3
4	FU-33447	FUSE, DO2 NEOZED GAUGE RING 20A	3
5	CN-3654	CONTACTOR, 40 AMP	1
6	FI-33990	EMI FILTER	1
7	5019101	WIRE ASSY, 380-415V, 3PH, BROWNING (not shown)	1

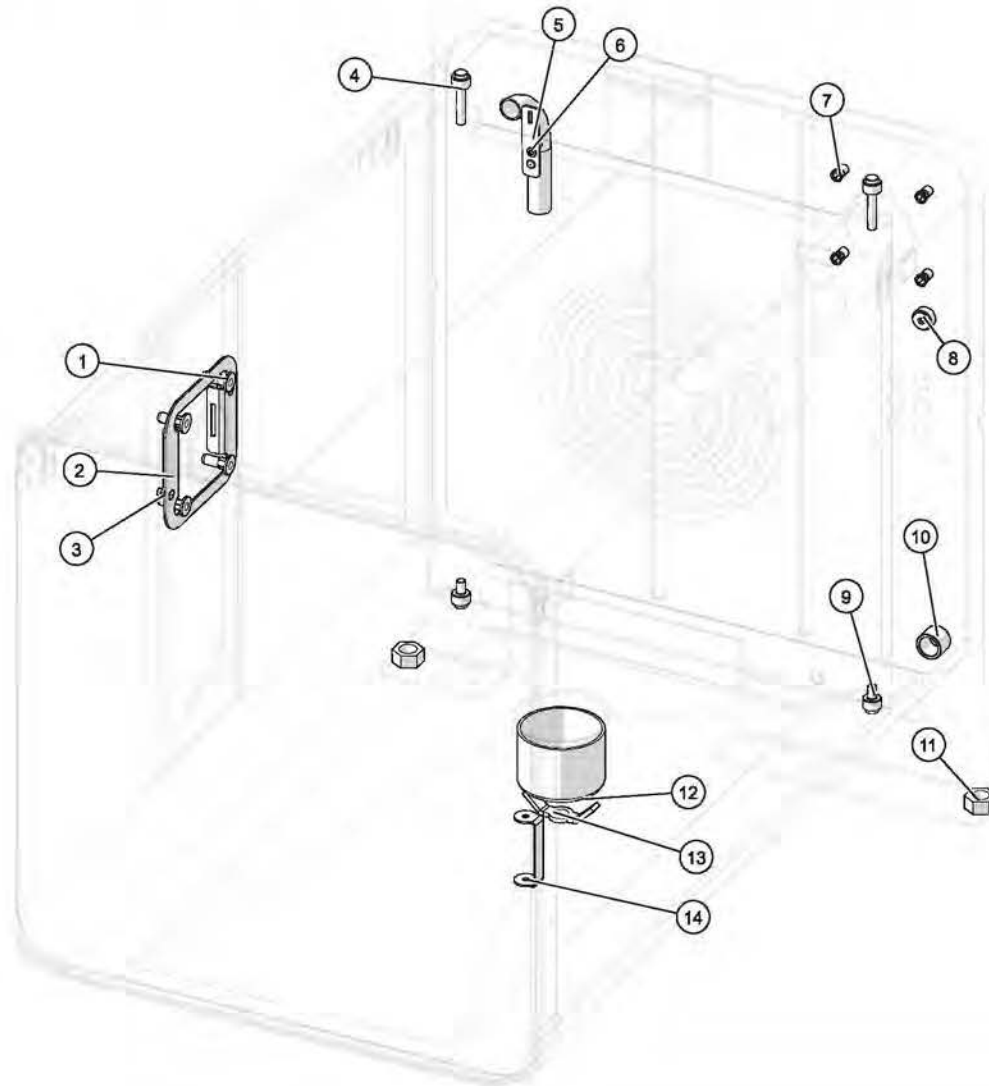
5015989_7

Cords and Plugs

Part No.	Description
CD-3304	CORD,SJEOW,10 GAUGE,3 CONDUCTR
CD-36230	CORD,8/3,H07-RNF,INTERNATIONAL, HARMONIZED
CD-3987	CORD,8/4 SEOO W-A,105C,(-50C)
PG-34207	PLUG,30A/250V,L6-30P,NEMX
PG-36327	PLUG, NEMA 15-30P 250V 30A, 3PH 4 WIRE, STRAIGHT BLADE
PG-3827	PLUG ES SERIES NON SMOKER

CTX Cords and Plugs

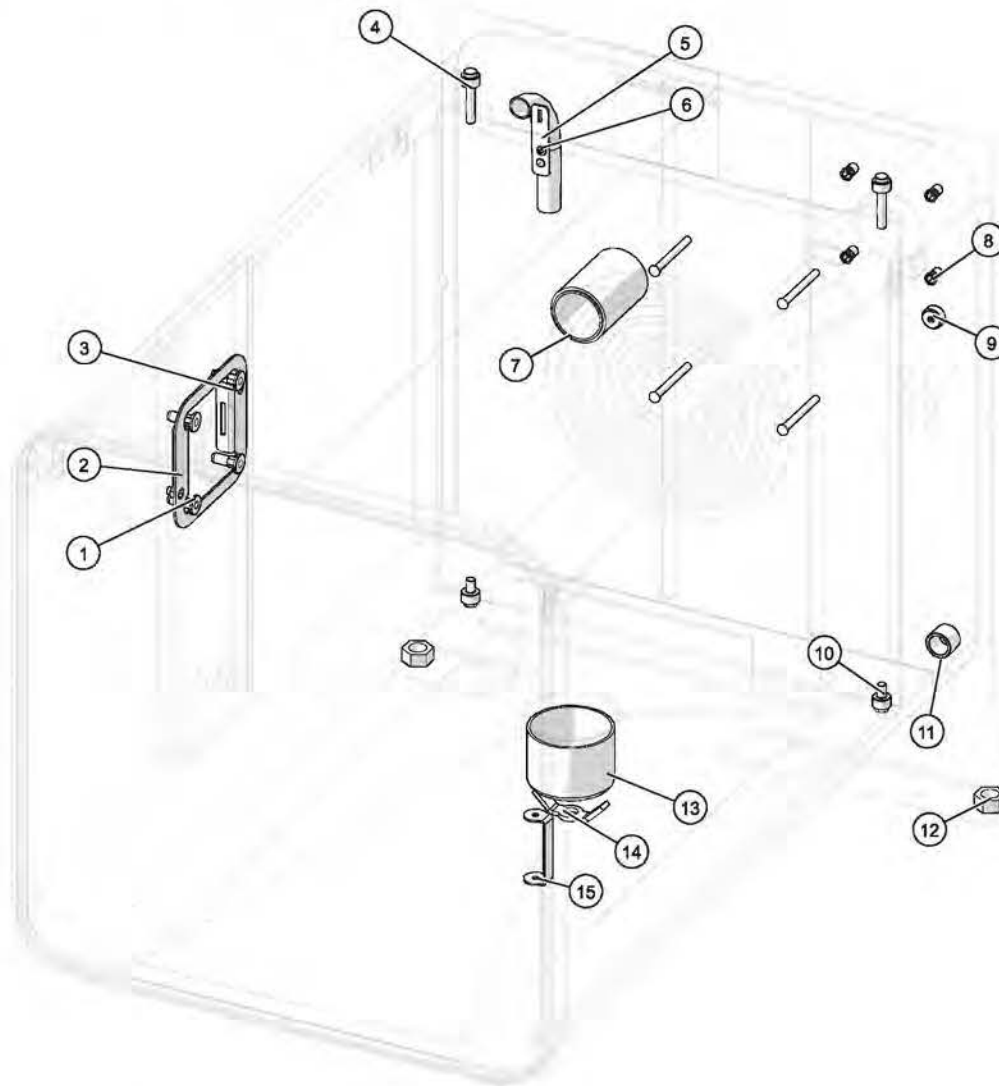
Inner Tube Package with No Vent Valve



ID	Part No.	Description	Qty
1	NU-39409	O-RING	4
2	1020859	BRACKET, LIGHT MOUNT, CTX	1
3	NU-38212	NUT,M5-0.8 HEX FLG-SERR CL8 SS	2
4	PI-26872	PIN, UPPER DIRECTION PANEL	2
5	1007483	ELBOW, S/S, INLET, AIR	1
6	1021704	LOCK, DIRECTIONAL PANEL, CTX	1
7	NU-23909	NUT, HEX INSERT M5	4
8	NU-25059	NUT, *CT, ML, S/S	1
9	PI-26873	PIN, LOWER DIRECTION PANEL	2
10	BU-27645	CONNECTOR FOR TEMP PROBE	1
11	NU-27085	M12 HEX NUT	2
12	DA-29652	DRAIN TUBE, 2-3/8" OD	1
13	1013033	BRACKET, CAVITY DRAIN	1
14	1012421	HOLDER, PROBE	1

5018132_9

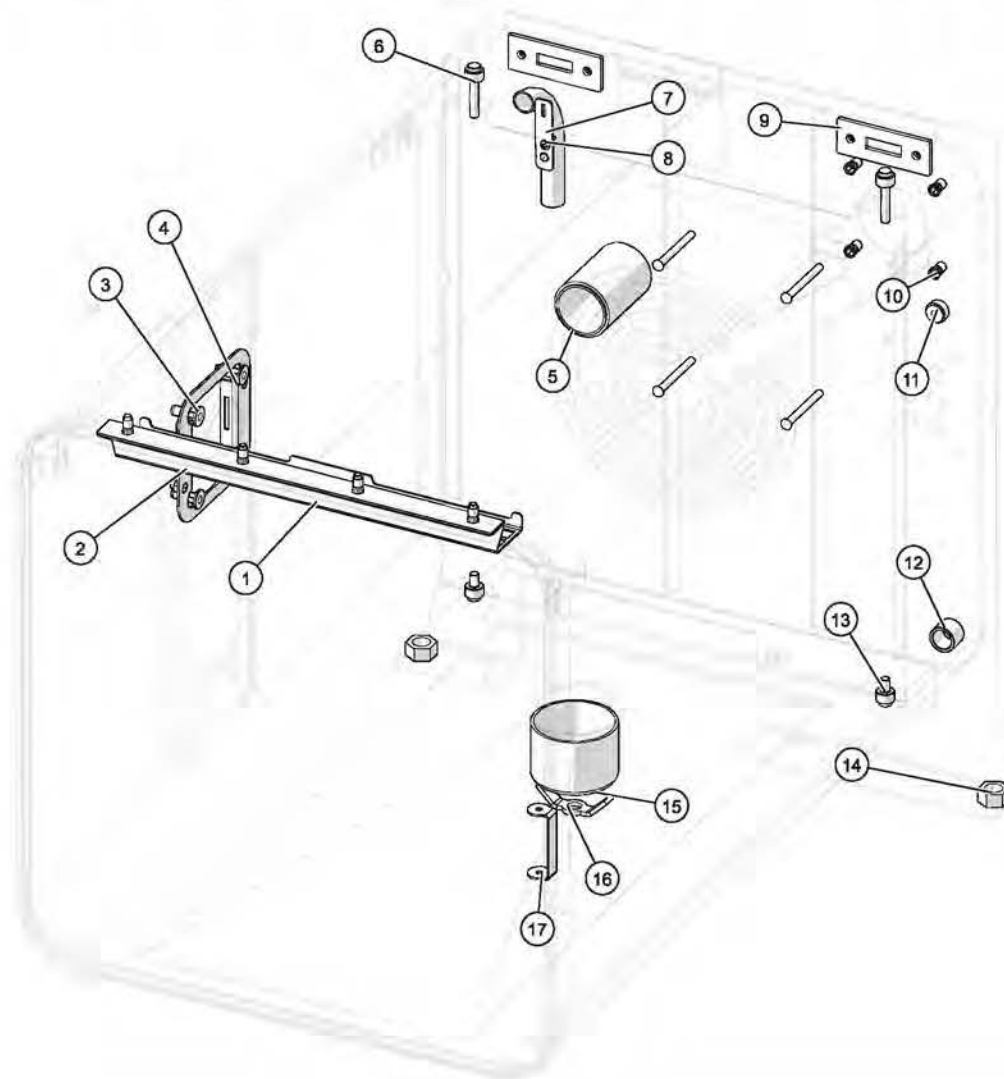
Inner Tube Package with Vent Valve



ID	Part No.	Description	Qty
1	NU-39409	O-RING	4
2	1020859	BRACKET, LIGHT MOUNT, CTX	1
3	NU-38212	NUT,M5-0.8 HEX FLG-SERR CL8 SS	2
4	PI-26872	PIN, UPPER DIRECTION PANEL	2
5	1007483	ELBOW, S/S, INLET, AIR	1
6	1021704	LOCK, DIRECTIONAL PANEL, CTX	1
7	FT-29272	FITTING,HOSE CONNECTION	1
8	NU-23909	NUT, HEX INSERT M5	4
9	NU-25059	NUT, *CT, ML, S/S	1
10	PI-26873	PIN, LOWER DIRECTION PANEL	2
11	BU-27645	CONNECTOR FOR TEMP PROBE	1
12	NU-27085	M12 HEX NUT	2
13	DA-29652	DRAIN TUBE, 2-3/8" OD	1
14	1013033	BRACKET, CAVITY DRAIN	1
15	1012421	HOLDER, PROBE	1

5018126_9

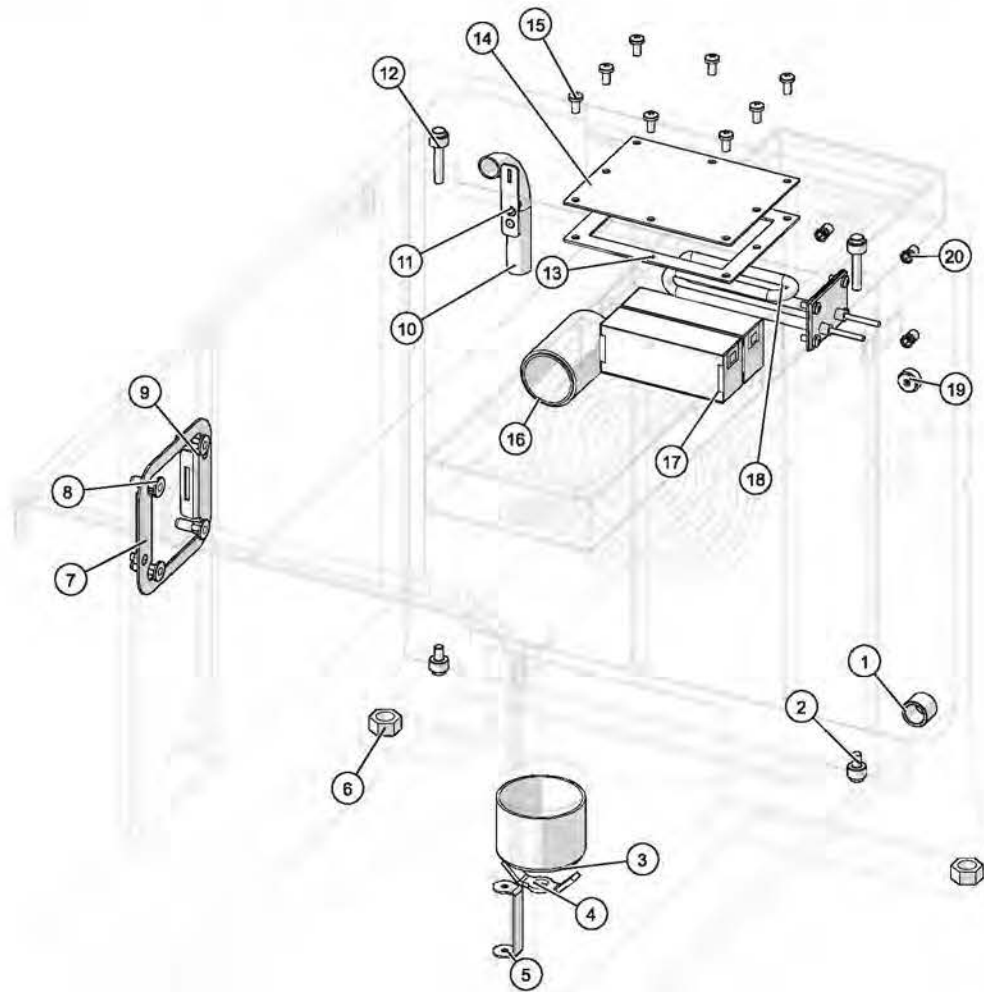
Inner Tube Package with Vent Valve and Browning Bar



ID	Part No.	Description	Qty
1	1013741	BRACKET, BROWNING BAR	1
2	1020859	BRACKET, LIGHT MOUNT, CTX	1
3	NU-39409	O-RING	4
4	NU-38212	NUT,M5-0.8 HEX FLG-SERR CL8 SS	2
5	FT-29272	FITTING,HOSE CONNECTION	1
6	PI-26872	PIN, UPPER DIRECTION PANEL	2
7	1007483	ELBOW, S/S, INLET, AIR	1
8	1021704	LOCK, DIRECTIONAL PANEL, CTX	1
9	GS-35461	GASKET, SEAL, BROWNING BAR	2
10	NU-23909	NUT, HEX INSERT M5	4
11	NU-25059	NUT, *CT, ML, S/S	1
12	BU-27645	CONNECTOR FOR TEMP PROBE	1
13	PI-26873	PIN, LOWER DIRECTION PANEL	2
14	NU-27085	M12 HEX NUT	2
15	DA-29652	DRAIN TUBE, 2-3/8" OD	1
16	1013033	BRACKET, CAVITY DRAIN	1
17	1012421	HOLDER, PROBE	1

5018127_9

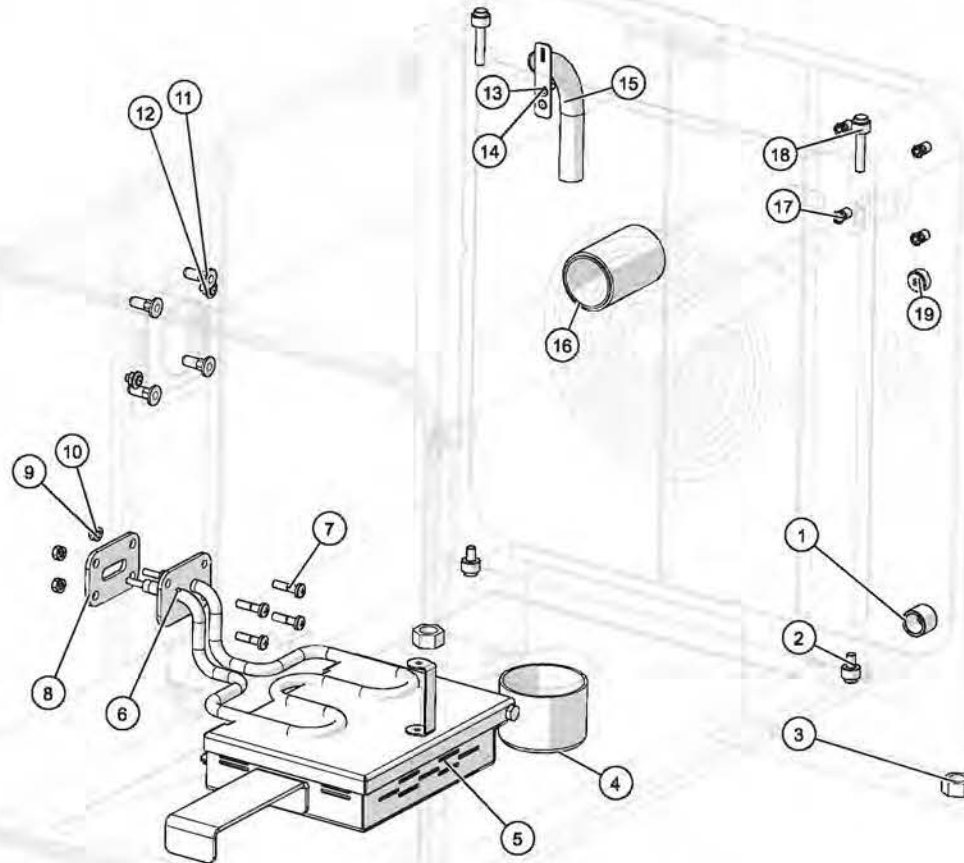
Inner Tube Package, Domestic with Catalyst



ID	Part No.	Description	Qty
1	BU-27645	CONNECTOR FOR TEMP PROBE	1
2	PI-26873	PIN, LOWER DIRECTION PANEL	2
3	DA-29652	DRAIN TUBE, 2-3/8" OD	1
4	1013033	BRACKET, CAVITY DRAIN	1
5	1012421	HOLDER, PROBE	1
6	NU-27085	M12 HEX NUT	2
7	1020859	BRACKET, LIGHT MOUNT, CTX	1
8	NU-39409	O-RING	4
9	NU-38212	NUT, M5-0.8 HEX FLG-SERR CL8 SS	2
10	1007483	ELBOW, S/S, INLET, AIR	1
11	1021704	LOCK, DIRECTIONAL PANEL, CTX	1
12	PI-26872	PIN, UPPER DIRECTION PANEL	2
13	GS-35495	GASKET, SEAL, CTLST CONV	1
14	1014243	COVER, CTLST CONV	1
15	SC-22766	SCREW, M5x0.8x10MM PAN	8
16	FT-29272	FITTING, HOSE CONNECTION	1
17	FI-47717	FILTER, CATALYTIC CONVERTER	2
18	EL-35051	ELEMENT, HEATER, CATALYTIC	1
19	NU-25059	NUT, *CT, ML, S/S	1
20	NU-23909	NUT, HEX INSERT M5	4

5018128_9

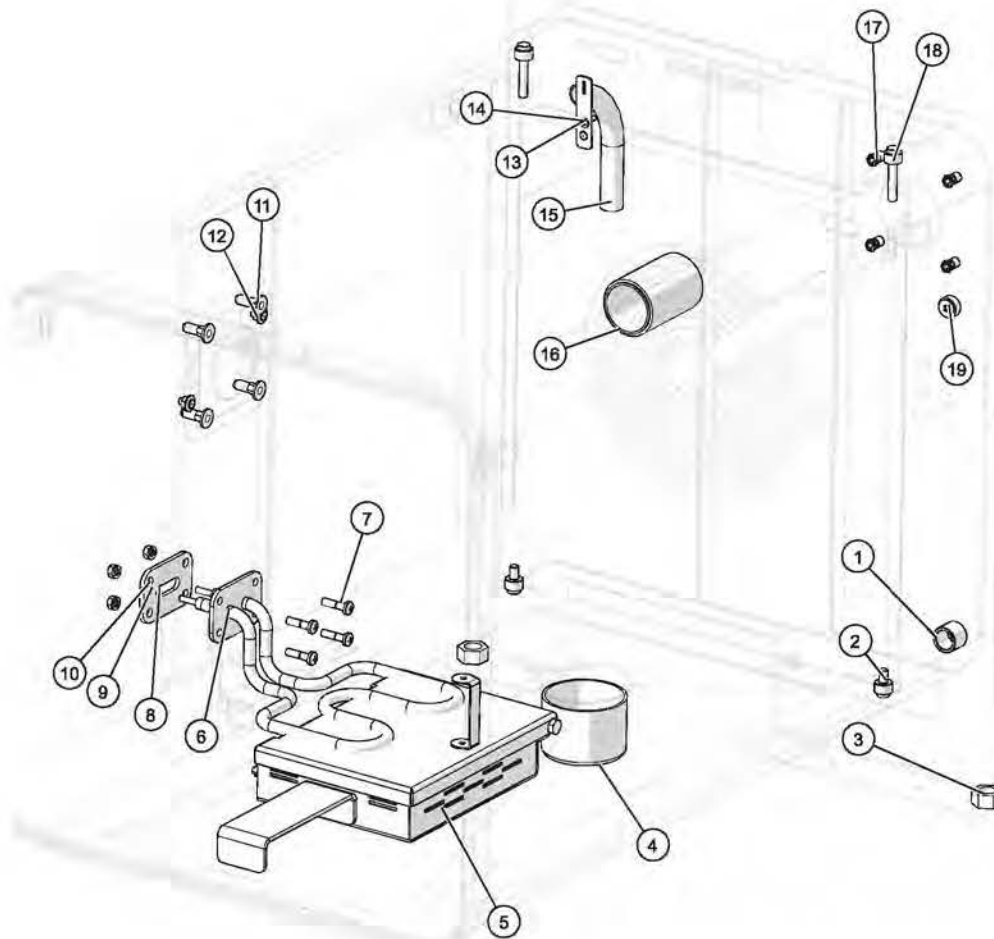
Inner Tube Package, Domestic with Smoker



ID	Part No.	Description	Qty
1	BU-27645	CONNECTOR FOR TEMP PROBE	1
2	PI-26873	PIN, LOWER DIRECTION PANEL	2
3	NU-27085	M12 HEX NUT	2
4	DA-29652	DRAIN TUBE, 2-3/8" OD	1
5	5015596	ASSEMBLY, SMOKER BOX	1
6	EL-38643	ELEMENT, TUBULAR, SMOKER, 208V	1
7	SC-22779	SCREW, M5x0.8X20MM PAN	4
8	GS-35229	GASKET, SMOKER BOX	1
9	WS-22301	WASHER, M5 SPLIT LOCK S/S 18-8	4
10	NU-22289	NUT, M5-0.8 HEX NUT 18-8 DIN # 934	4
11	NU-39409	O-RING	4
12	NU-38212	NUT, M5-0.8 HEX FLG-SERR CL8 SS	2
13	1021704	LOCK, DIRECTIONAL PANEL, CTX	1
14	RI-27108	RIVET, SEALED	1
15	1007483	ELBOW, S/S, INLET, AIR	1
16	FT-29272	FITTING, HOSE CONNECTION	1
17	NU-23909	NUT, HEX INSERT M5	4
18	PI-26872	PIN, UPPER DIRECTION PANEL	2
19	NU-25059	NUT, *CT, ML, S/S	1

5018130_9

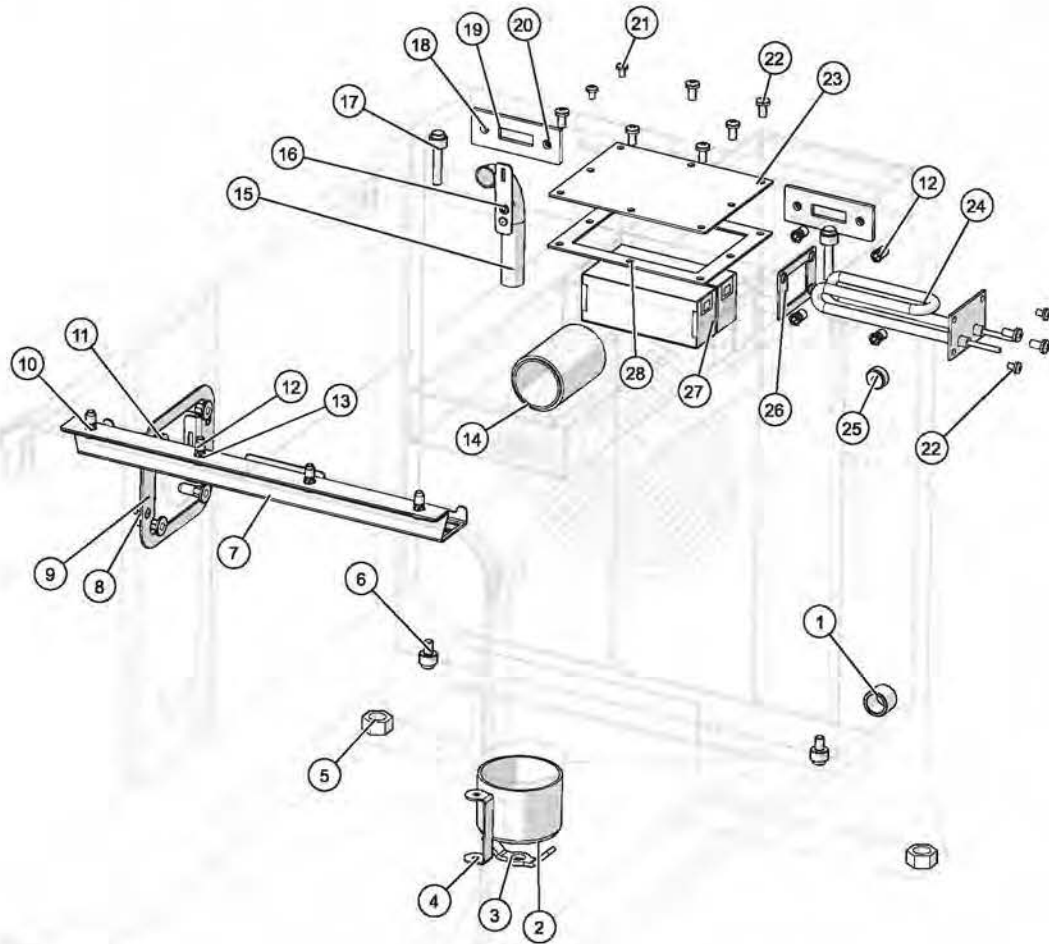
Inner Tube Package, Domestic with Browning Bar & Smoker



ID	Part No.	Description	Qty
1	BU-27645	CONNECTOR FOR TEMP PROBE	1
2	PI-26873	PIN, LOWER DIRECTION PANEL	2
3	NU-27085	M12 HEX NUT	2
4	DA-29652	DRAIN TUBE, 2-3/8" OD	1
5	5015596	ASSEMBLY, SMOKER BOX	1
6	EL-38643	ELEMENT, TUBULAR, SMOKER, 208V	1
7	SC-22779	SCREW, M5x0.8X20MM PAN	4
8	GS-35229	GASKET, SMOKER BOX	1
9	WS-22301	WASHER, M5 SPLIT LOCK S/S 18-8	4
10	NU-22289	NUT, M5-0.8 HEX NUT 18-8 DIN # 934	4
11	NU-39409	O-RING	4
12	NU-38212	NUT, M5-0.8 HEX FLG-SERR CL8 SS	2
13	1021704	LOCK, DIRECTIONAL PANEL, CTX	1
14	RI-27108	RIVET, SEALED	1
15	1007483	ELBOW, S/S, INLET, AIR	1
16	FT-29272	FITTING, HOSE CONNECTION	1
17	NU-23909	NUT, HEX INSERT M5	4
18	PI-26872	PIN, UPPER DIRECTION PANEL	2
19	NU-25059	NUT, *CT, ML, S/S	1

5018133_9

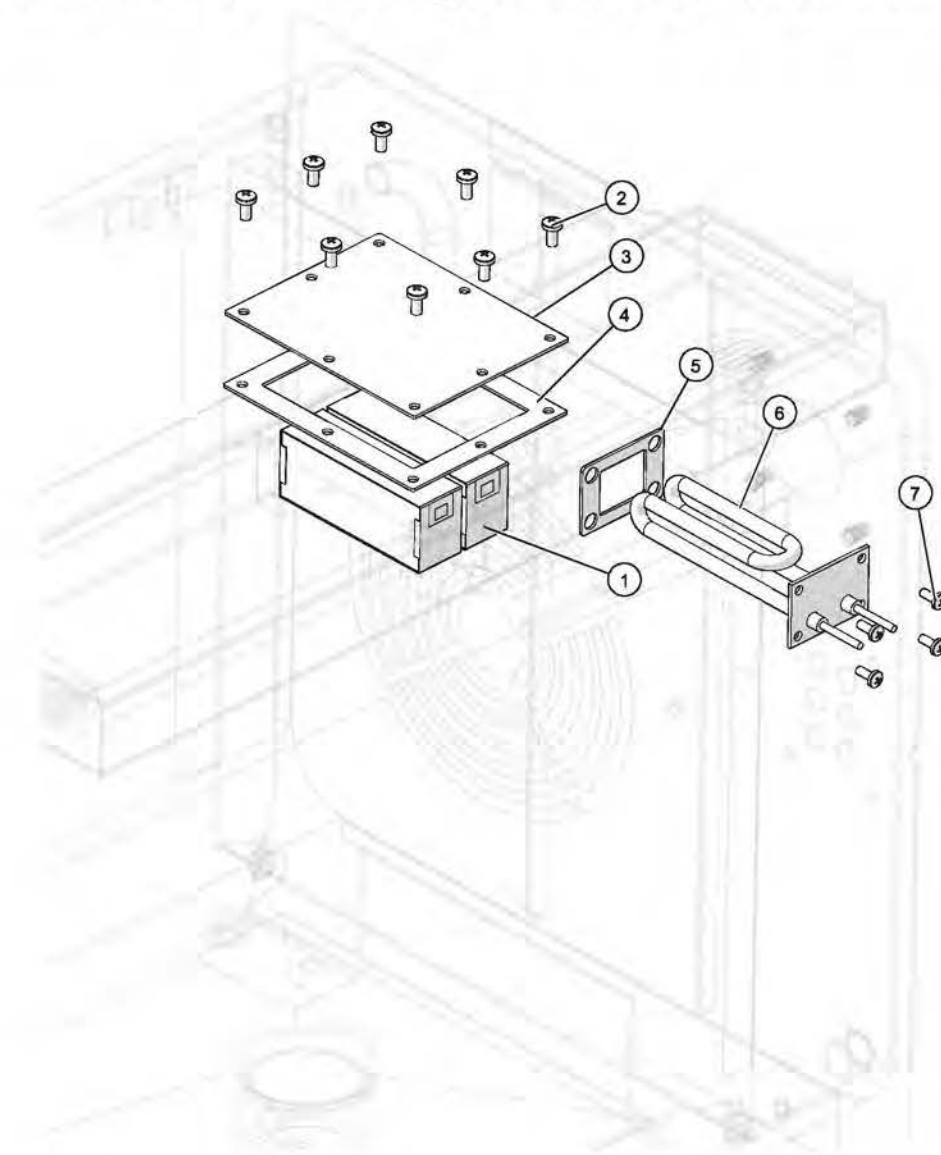
Inner Tube Package, Domestic with Catalyst & Browning Bar



ID	Part No.	Description	Qty
1	BU-27645	CONNECTOR FOR TEMP PROBE	1
2	DA-29652	DRAIN TUBE, 2-3/8" OD	1
3	1013033	BRACKET, CAVITY DRAIN	1
4	1012421	HOLDER, PROBE	1
5	NU-27085	M12 HEX NUT	2
6	PI-26873	PIN, LOWER DIRECTION PANEL	2
7	1013741	BRACKET, BROWNING BAR	1
8	NU-38212	NUT, M5-0.8 HEX FLG-SERR CL8 SS	2
9	1020859	BRACKET, LIGHT MOUNT, CTX	1
10	SC-22926	SCREW, M5x0.8x16MM HEX	2
11	NU-39409	O-RING	4
12	NU-23909	NUT, HEX INSERT M5	6
13	GS-35662	GASKET, SEAL, BROWN BAR BRKT	1
14	FT-29272	FITTING, HOSE CONNECTION	1
15	1007483	ELBOW, S/S, INLET, AIR	1
16	1021704	LOCK, DIRECTIONAL PANEL, CTX	1
17	PI-26872	PIN, UPPER DIRECTION PANEL	2
18	WS-22301	WASHER, M5 SPLIT LOCK	4
19	GS-35461	GASKET, SEAL, BROWNING BAR	2
20	NU-22289	NUT, M5-0.8 HEX NUT 18-8 DIN # 934	4
21	SC-22271	SCREW, M4x0.7X6MM PAN	4
22	SC-22766	SCREW, M5x0.8X10MM PAN	8
23	1014243	COVER, CTLST CONV	1
24	EL-35051	ELEMENT, HEATER, CATALYTIC	1
25	NU-25059	NUT, *CT, ML, S/S	1
26	GS-35494	GASKET, SEAL, CTLST CONV	1
27	FI-47717	FILTER, CATALYTIC CONVERTER	2
28	GS-35495	GASKET, SEAL, CTLST CONV	1

5018131_9

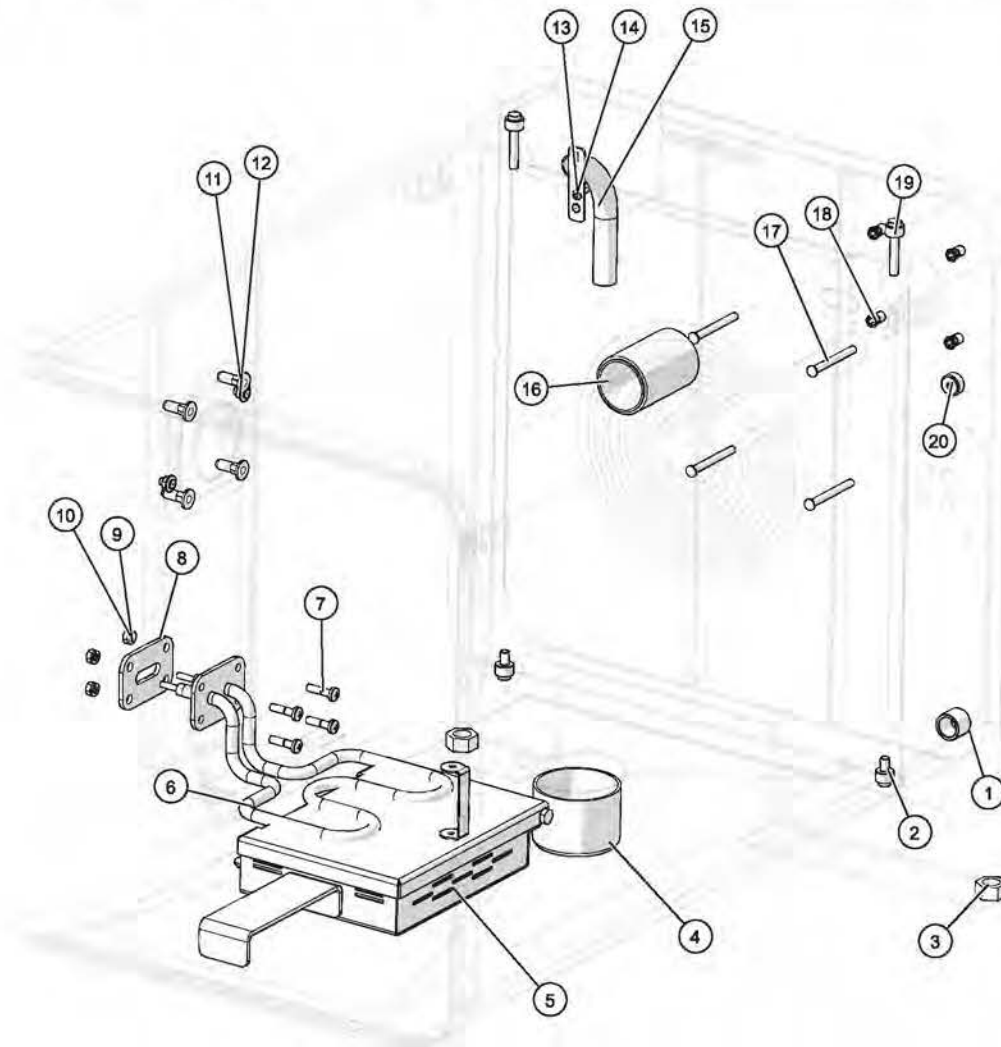
Inner Tube Package, International with Catalyst



ID	Part No.	Description	Qty
1	FI-47717	FILTER, CATALYTIC CONVERTER	2
2	SC-22766	SCREW,M5x0.8X10MM PAN	8
3	1014243	COVER, CTLST CONV	1
4	GS-35495	GASKET, SEAL, CTLST CONV	1
5	GS-35494	GASKET, SEAL, CTLST CONV	1
6	EL-35051	ELEMENT, HEATER, CATALYTIC	1
7	SC-22273	SCREW,M4x0.7X10MM PAN	4

5022602_9

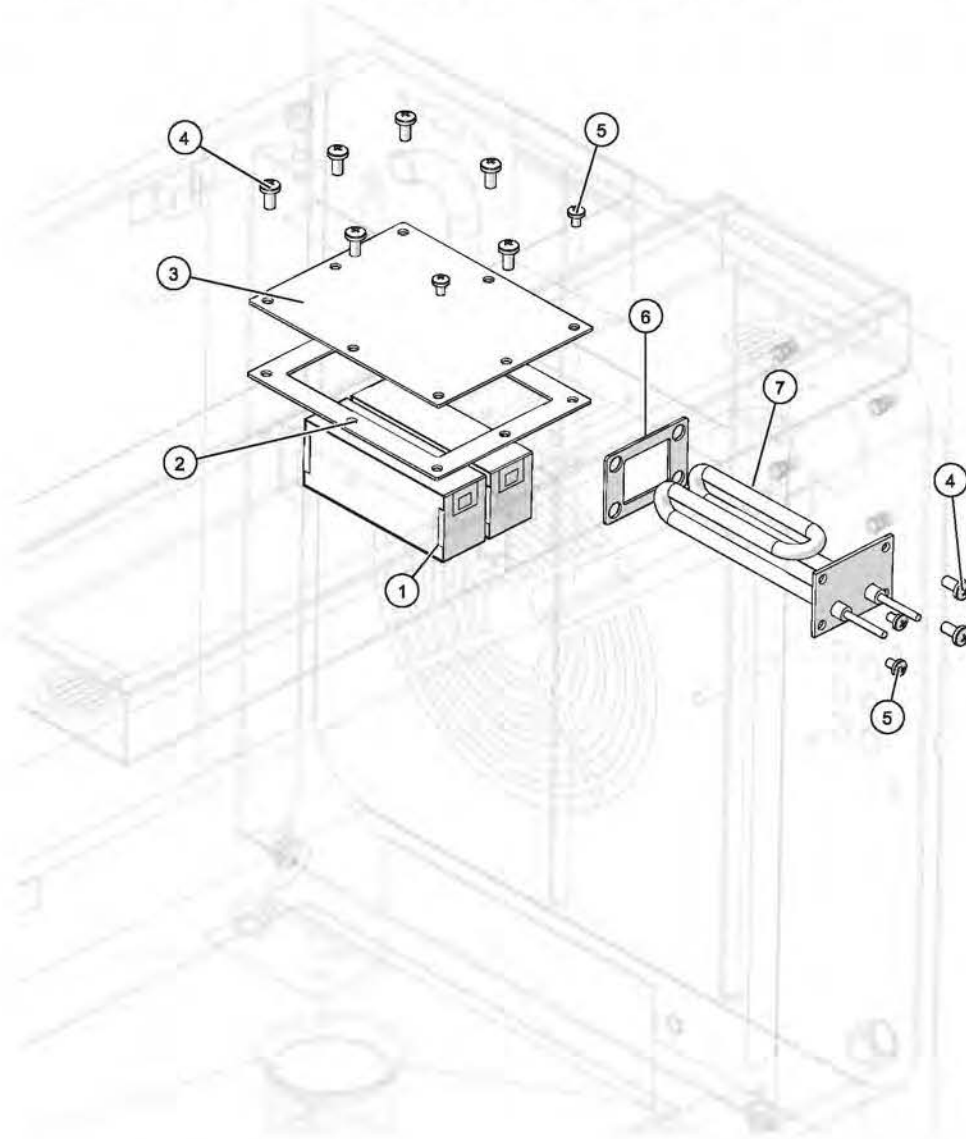
Inner Tube Package, International with Smoker



ID	Part No.	Description	Qty
1	BU-27645	CONNECTOR FOR TEMP PROBE	1
2	PI-26873	PIN, LOWER DIRECTION PANEL	2
3	NU-27085	M12 HEX NUT	2
4	DA-29652	DRAIN TUBE, 2-3/8" OD	1
5	5015596	ASSEMBLY, SMOKER BOX	1
6	EL-38643	ELEMENT, TUBULAR, SMOKER, 208V	1
7	SC-22779	SCREW, M5x0.8X20MM PAN	4
8	GS-35229	GASKET, SMOKER BOX	1
9	WS-22301	WASHER, M5 SPLIT LOCK S/S 18-8	4
10	NU-22289	NUT, M5-0.8 HEX NUT 18-8 DIN # 934	4
11	NU-39409	O-RING	4
12	NU-38212	NUT, M5-0.8 HEX FLG-SERR CL8 SS	2
13	1021704	LOCK, DIRECTIONAL PANEL, CTX	1
14	RI-27108	RIVET, SEALED	1
15	1007483	ELBOW, S/S, INLET, AIR	1
16	FT-29272	FITTING, HOSE CONNECTION	1
17	ST-23943	M6 X 50 S/S WELD STUD	4
18	NU-23909	NUT, HEX INSERT M5	4
19	PI-26872	PIN, UPPER DIRECTION PANEL	2
20	NU-25059	NUT, *CT, ML, S/S	1

5022603_9

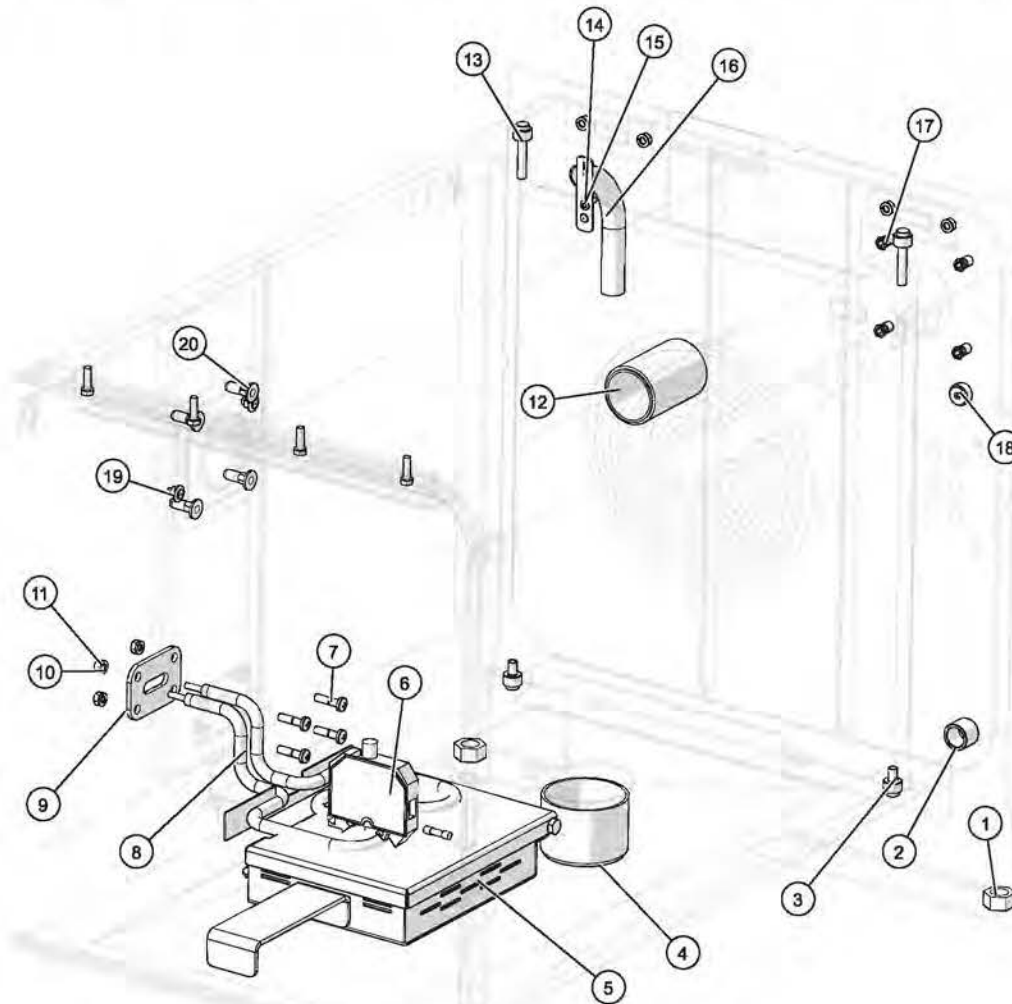
Inner Tube Package, International with Catalyst & Browning Bar



ID	Part No.	Description	Qty
1	FI-47717	FILTER, CATALYTIC CONVERTER	2
2	GS-35495	GASKET, SEAL, CTLST CONV	1
3	1014243	COVER, CTLST CONV	1
4	SC-22766	SCREW, M5x0.8X10MM PAN	8
5	SC-22271	SCREW, M4x0.7X6MM PAN	4
6	GS-35494	GASKET, SEAL, CTLST CONV	1
7	EL-35051	ELEMENT, HEATER, CATALYTIC	1

5022604_9

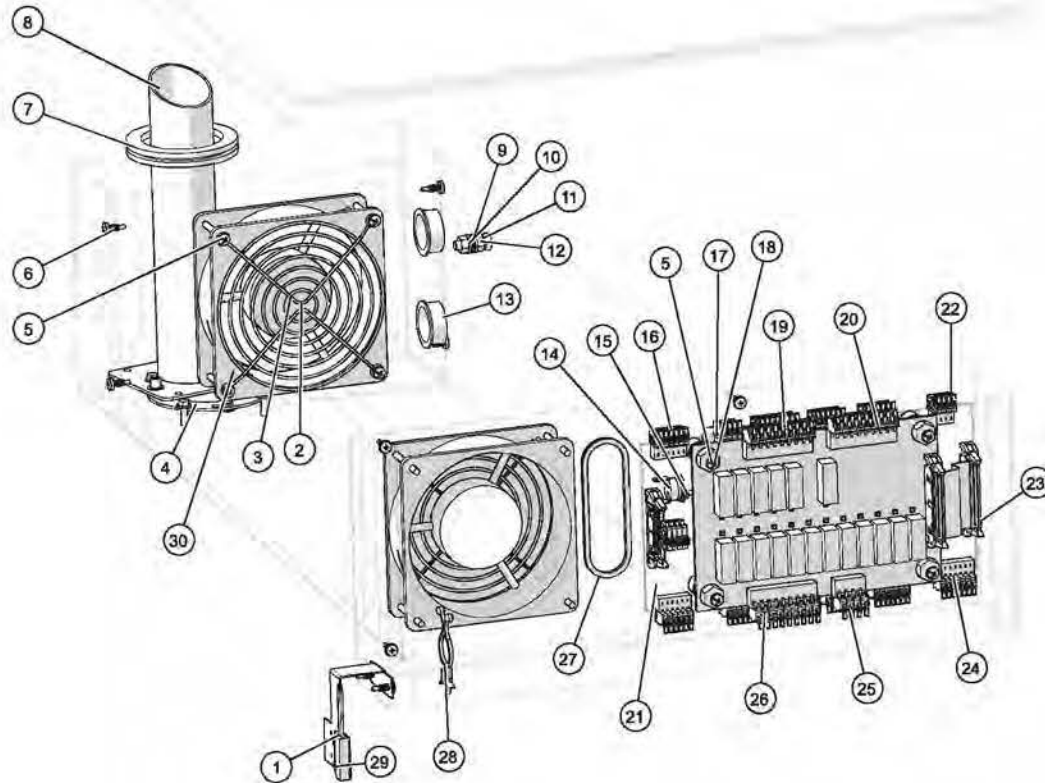
Inner Tube Package, International with Browning Bar & Smoker



ID	Part No.	Description	Qty
1	NU-27085	M12 HEX NUT	2
2	BU-27645	CONNECTOR FOR TEMP PROBE	1
3	PI-26873	PIN, LOWER DIRECTION PANEL	2
4	DA-29652	DRAIN TUBE, 2-3/8" OD	1
5	5015596	ASSEMBLY, SMOKER BOX	1
6	5022601	ELEC PKG SMOKER	1
7	SC-22779	SCREW, M5x0.8X20MM PAN	4
8	EL-38643	ELEMENT, TUBULAR, SMOKER, 208V	1
9	GS-35229	GASKET, SMOKER BOX	1
10	WS-22301	WASHER, M5 SPLIT LOCK S/S 18-8	4
11	NU-22289	NUT, M5-0.8 HEX NUT 18-8 DIN # 934	4
12	FT-29272	FITTING, HOSE CONNECTION	1
13	PI-26872	PIN, UPPER DIRECTION PANEL	2
14	1021704	LOCK, DIRECTIONAL PANEL, CTX	1
15	RI-27108	RIVET, SEALED	1
16	1007483	ELBOW, S/S, INLET, AIR	1
17	NU-23909	NUT, HEX INSERT M5	4
18	NU-25059	NUT, *CT, ML, S/S	1
19	NU-38212	NUT, M5-0.8 HEX FLG-SERR CL.8 SS	2
20	NU-39409	O-RING	4

5022605_9

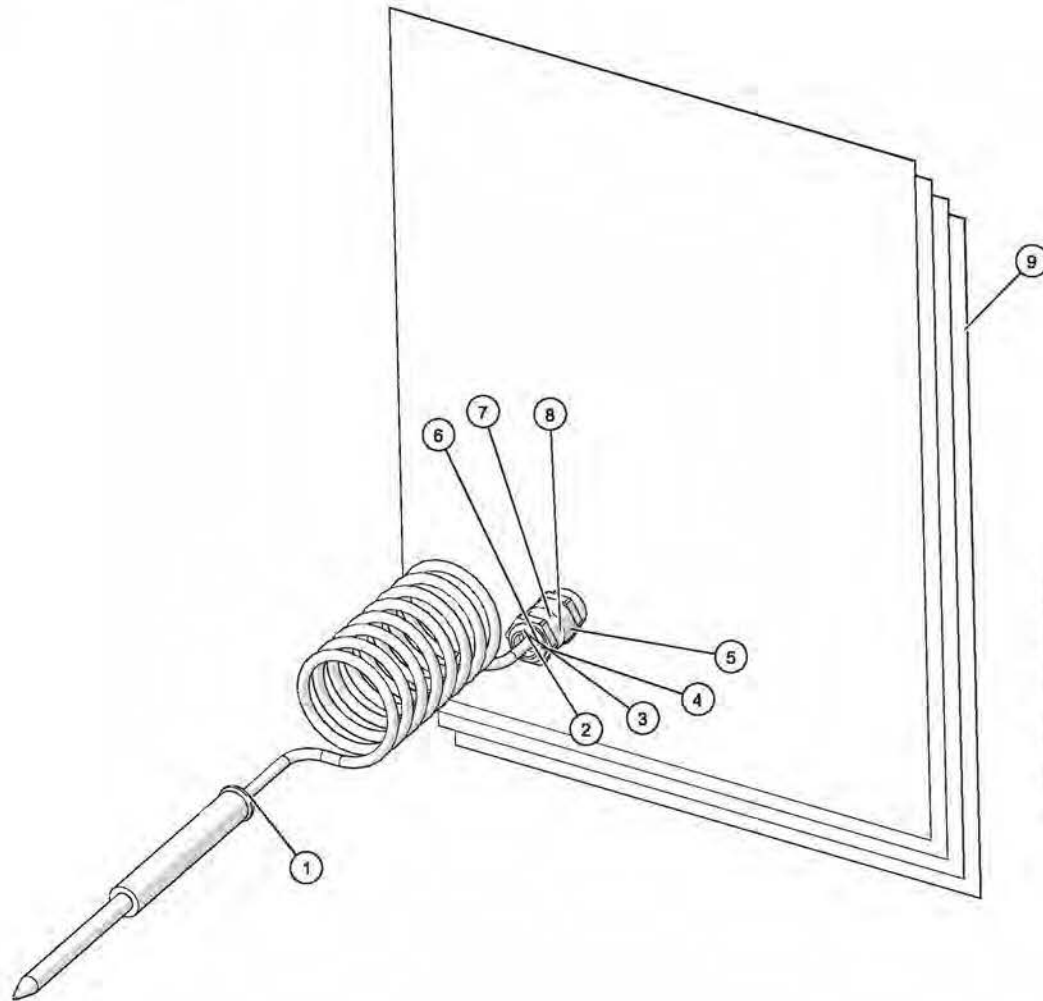
Exhaust Kit, High Moisture



ID	Part No.	Description	Qty
1	LT-3738	DOOR, INTERLOCK SWITCH	1
2	GD-2396	FAN GUARD, FITS AXIAL FANS	2
3	FA-36957	FAN, 230V, MECHATRONICS, HI-TEMP	2
4	SA-26890	SEAL, PRESSURE VALVE	1
5	SC-29261	SCREW, M4x0.7X50MM PAN	12
6	SC-38693	SCREW, #8-18 X 1/2", PHIL, PAN	10
7	BU-28391	BUSHING, SOCKET, MEMBRANE	1
8	5027837	VENT TUBE WELDMENT	1
9	WS-22297	WASHER, FLAT, M6, 18-8 SST	2
10	WS-22302	WASHER, SPLIT LOCK, M6, 18-8 SST	2
11	SC-22924	SCREW, M6x1.0x20MM HEX	1
12	NU-22291	M6-1.0 X HEX S/S NUT 18-8	2
13	BU-3378	1 1/8" SNAP BUSHING	2
14	TT-35303	THERMOSTAT, BI-METAL 80-100°F	1
15	SC-22266	SCREW, M3x0.5X8MM PAN	2
16	TM-34884	TERMINAL, 3.5MM PLUGGABLE, 6 POLE	5
17	BU-3006	1/2" HOLE BUSHING	1
18	WS-22300	WASHER, SPLIT LOCK, M4, 18-8 SST	12
19	TM-34889	TERMINAL, 3.5MM PLUGGABLE, 8 POLE	4
20	TM-34801	TERMINAL, 5MM PLUGGABLE, 9 POLE	3
21	BA-34670	BOARD, TOUCHSCREEN RELAY	1
22	TM-34881	TERMINAL, 3.5MM PLUGGABLE, 4 POLE	5
23	CB-34923	CABLE, 34-PIN RIBBON, 55MM LONG	1
24	TM-34931	TERMINAL, 3.5MM PLUGGABLE, 7 POLE	3
25	TM-34796	TERMINAL, 5MM PLUGGABLE, 4 POLE	1
26	TM-34934	TERMINAL, 3.5MM PLUGGABLE, 9 POLE	2
27	SL-3836	SLEEVE, GROMMET EDGING 10.5"	1
28	TI-35719	TIE, TWIST LOCK 0.5" STANDOFF	1
29	SC-22268	SCREW, M3x0.5X8MM PAN	2
30	SC-39147	SCREW, 8-18 X .480 HEX WASHER	4

5028092_0

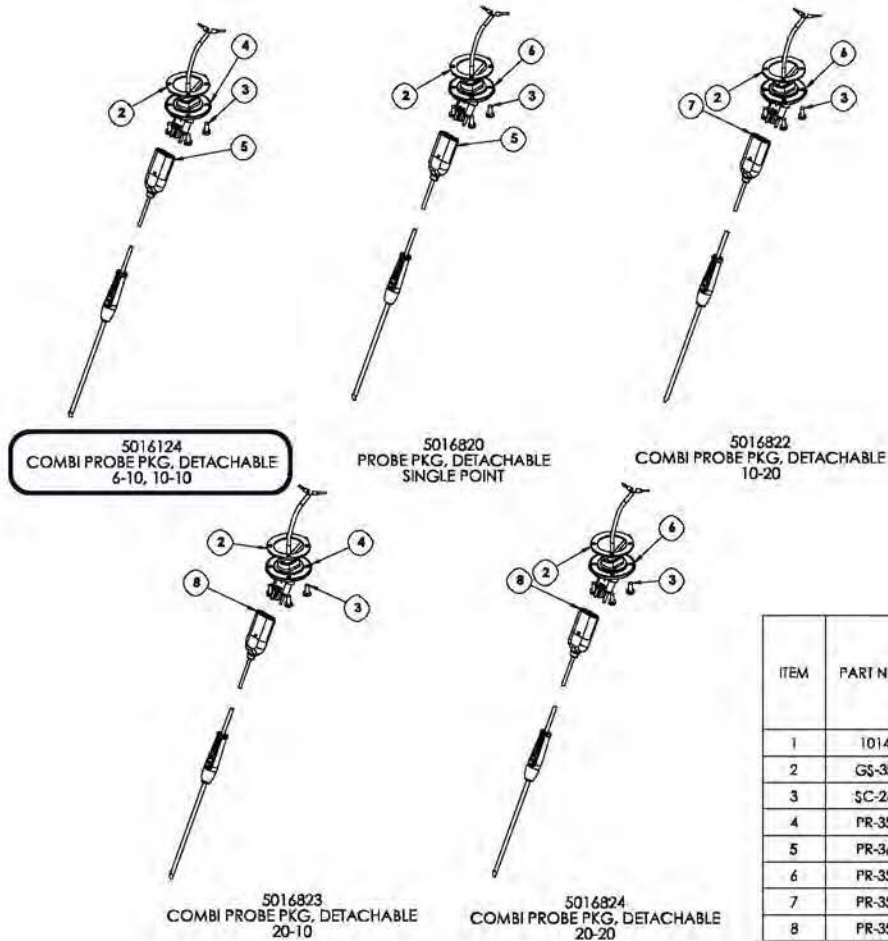
Probe Assembly, Single Point



ID	Part No.	Description	Qty
1	PR-29650	PROBE, 1300MM LENGTH	1
2	SA-22321	SEAL, CT, CONE, PG9, BRASS	1
3	SA-22322	SEAL, CT, INSERT, 4mm DIA	1
4	SA-22320	SEAL, CT, TOP, PG9	1
5	PG-3826	PLUGS,*CT,ADAPTOR,TUBE TO PLUG	1
6	WS-22297	WASHER, FLAT, M6, 18-8 SST	1
7	WS-22323	WASHER, FLAT 4.5MM I.D. X 13.5MM O.D.	1
8	SA-22199	SEAL, CT, O-RING, VITON, 13X1.5	1
9	SRV-20038	SERVICE DOC,INSTALL PROD PROBE	1

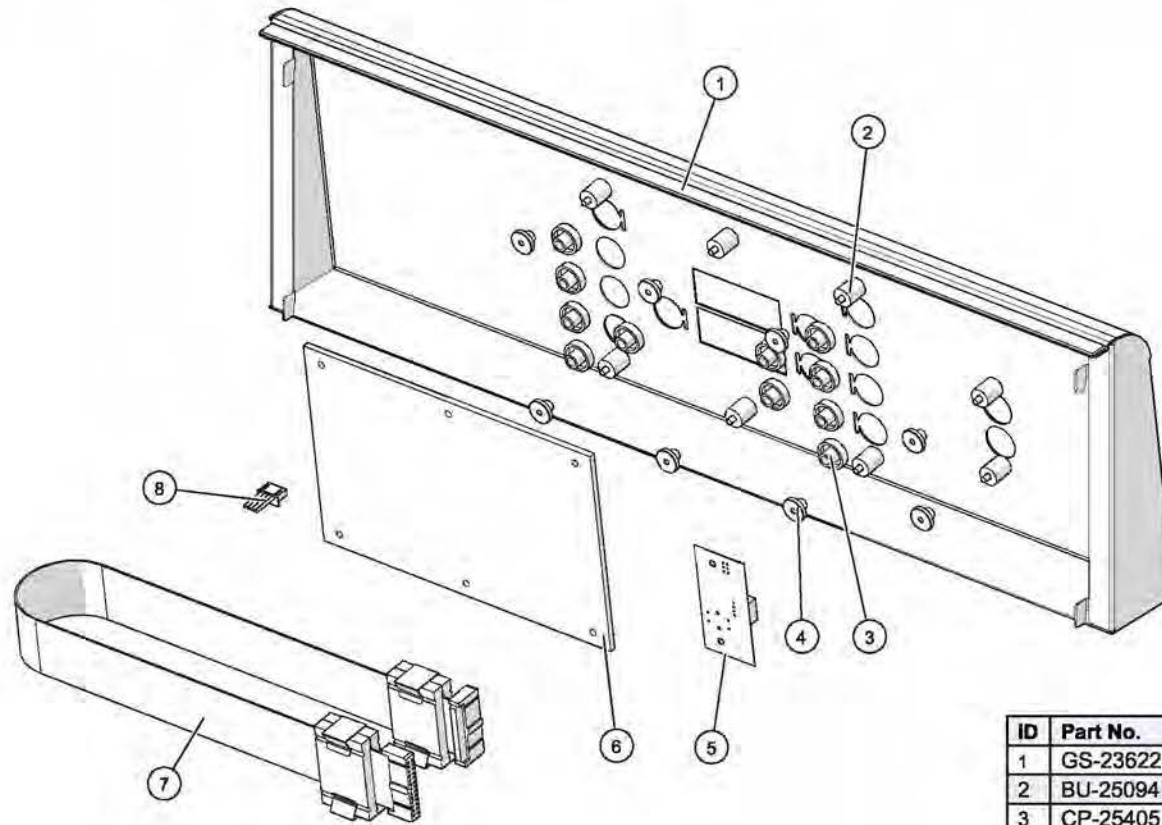
5014297R_0

Probe Package, Detachable



ITEM	PART NUMBER	DESCRIPTION	5016124/QTY.	5016130/QTY.	5016820/QTY.	5016822/QTY.	5016823/QTY.	5016824/QTY.
1	1014297	FOOD PROBE COVER PLATE, COMBI	-	1	-	-	-	-
2	GS-35796	GAŠKET, CAVITY PROBE	1	1	1	1	1	1
3	ŠC-26618	ŠCREW, M4x0,7X10MM PAN	4	4	4	4	4	4
4	PR-35771	PROBE, RECEPTACLE, 1300mm	1	-	-	-	1	-
5	PR-36201	PROBE, QUICK RELEASE, 820mm	1	-	1	-	-	-
6	PR-35486	PROBE, RECEPTACLE, 1600mm	-	-	1	1	-	1
7	PR-35770	PROBE, QUICK RELEASE, 1000mm	-	-	-	1	-	-
8	PR-35487	PROBE, QUICK RELEASE, 1600mm	-	-	-	-	1	1

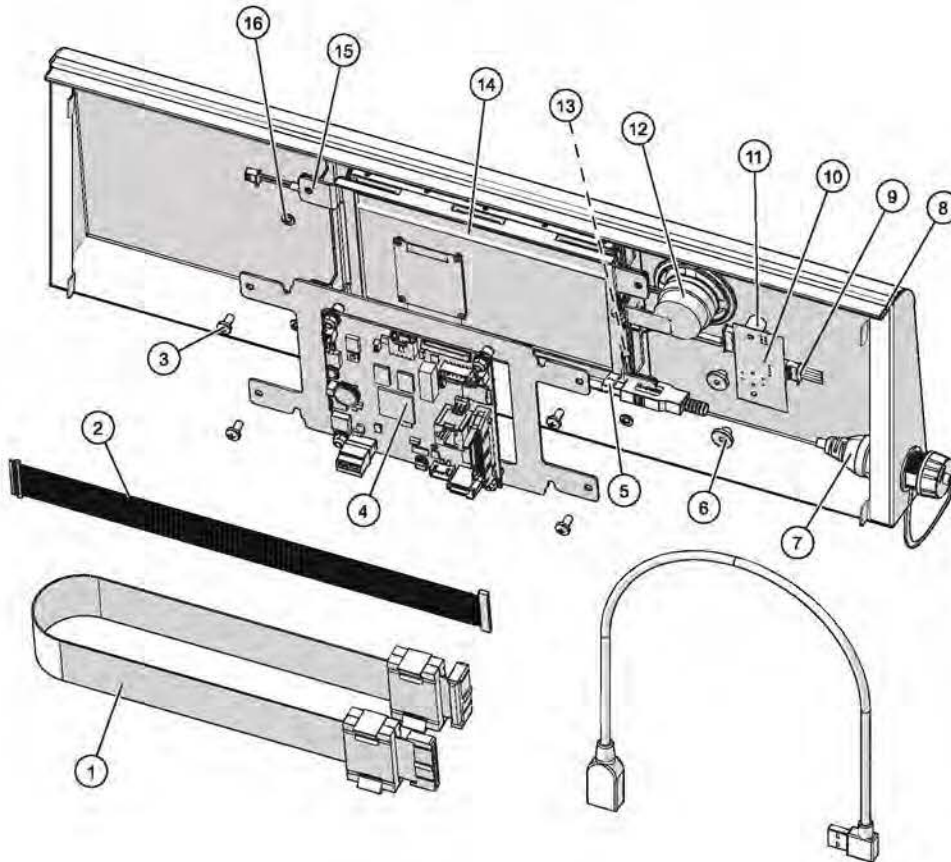
Control Assembly, Simple (CTX 4-10ESI)



ID	Part No.	Description	Qty
1	GS-23622	GASKET, FOAM 20" LENGTH	1
2	BU-25094	BUSHING,*CT,ML,BRASS,DISTANCE	8
3	CP-25405	CAP, 15MM DIA X 8.5MM BUTTON	11
4	NU-25095	KNURLED M3 HIGH A2 S/S	8
5	CC-36871	BOARD, ON/OFF, ONE BUTTON	1
6	CC-29772	ASSY, CONTROL SIMPLE BASIC	1
7	CB-34033	CABLE, COMMUNICATION, 510MM	1
8	CB-29873	CABLE, ON-OFF BOARD	1

5014476_5

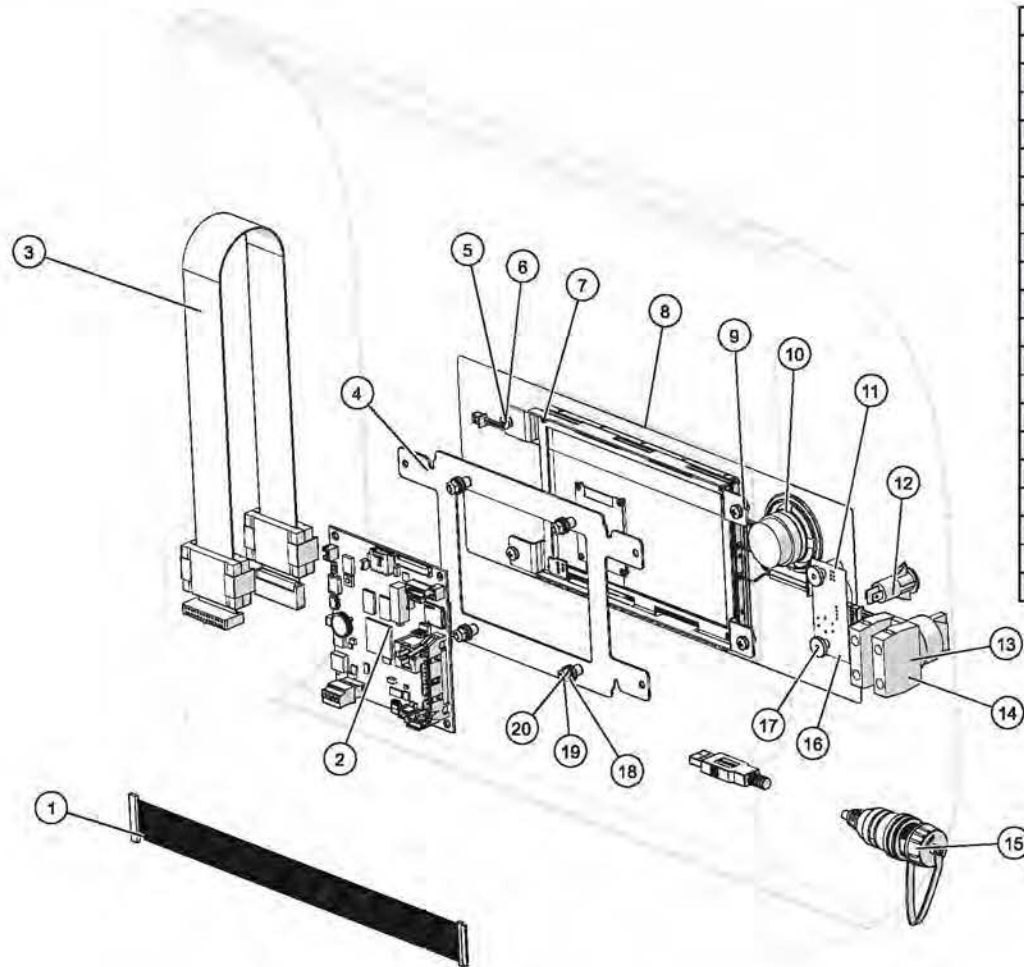
Control Assembly, Right-Hand



ID	Part No.	Description	Qty
1	CB-34033	CABLE, COMMUNICATION, 510MM	1
2	CB-38778	CABLE,LVDS, TWISTED PAIR	1
3	SC-35729	SCREW,M4x0.7X8MM PAN	4
4	5023500	CTX MOUNTING BRACKET ASSEMBLY	1
5	CB-34894	CABLE, USB WATERPROOF SHIELDED	1
6	NU-25095	KNURLED M3 HIGH A2 S/S	2
7	5014750	HACCP PKG W/ USB PORT	1
8	GS-23622	GASKET, FOAM 20" LENGTH	1
9	CB-29873	CABLE, ON-OFF BOARD	1
10	CC-36871	BOARD, ON/OFF, ONE BUTTON	1
11	BU-25094	BUSHING,*CT,ML,BRASS,DISTANCE	2
12	BZ-34675	BUZZER, SPEAKER, W/ 10" CABLE	1
13	PE-37221	DISPLAY, OVERLAY	1
14	5019027	ASSY,DISPLAY MTG ,W/O T. GLASS	1
15	WS-22294	WASHER, FLAT M4 18-8 S/S	4
16	WS-22300	WASHER, M4 SPLIT LOCK	4

5019021_7

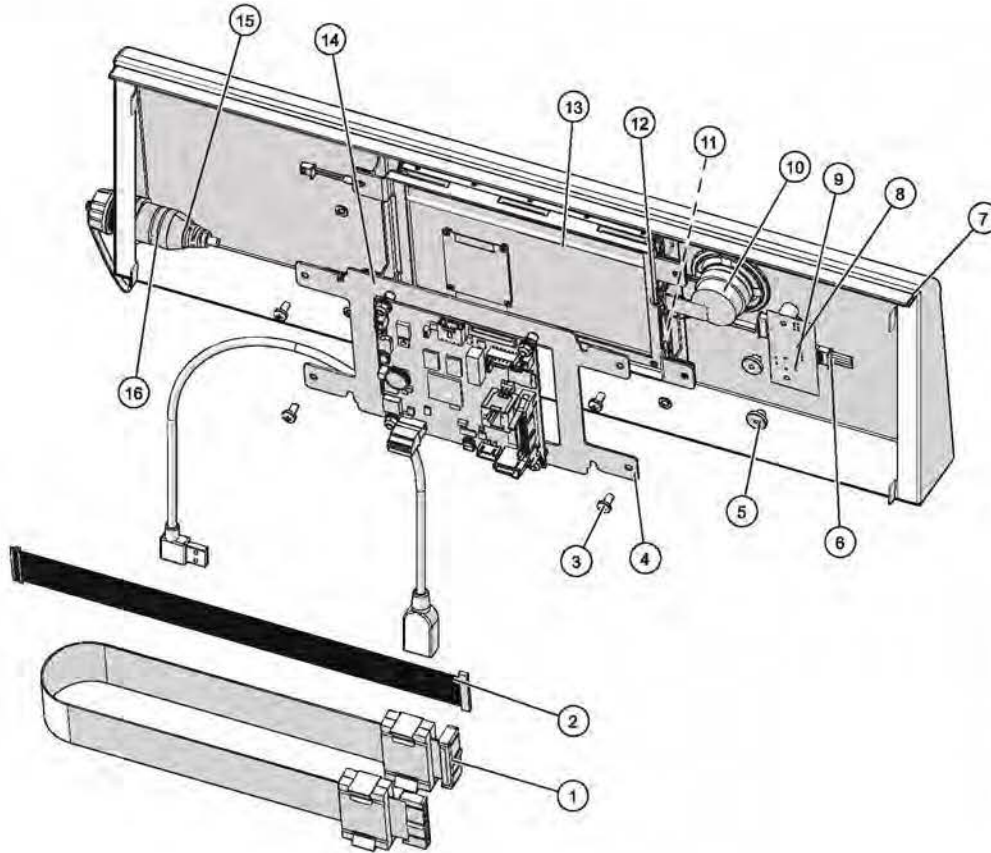
Control Assembly, Right-Hand with Hood



ID	Part No.	Description	Qty
1	CB-38778	CABLE,LVDS, TWISTED PAIR	1
2	CC-38781	BOARD,INTERFACE CIRCUIT BOARD	1
3	CB-34400	CABLE,COMMUNICATION, 1550MM	1
4	5023500	CTX MOUNTING BRACKET ASSEMBLY	1
5	SC-35729	SCREW,M4x0.7X8MM PAN	4
6	WS-22300	WASHER, M4 SPLIT LOCK	4
7	5019027	ASSY,DISPLAY MTG ,W/O T. GLASS	1
8	PE-37221	DISPLAY, OVERLAY	1
9	WS-22294	WASHER, FLAT M4 18-8 S/S	4
10	BZ-34675	BUZZER, SPEAKER, W/ 10" CABLE	1
11	BU-25094	BUSHING,*CT,ML,BRASS,DISTANCE	2
12	LI-3951	WHITE PILOT LIGHT 250V	1
13	SW-33101	SWITCH, CT POWER, MAIN, RED	1
14	SW-3683	SWITCH, *CT, PUSHBUTTON, INSERT	1
15	5014750	HACCP PKG W/ USB PORT	1
16	CC-36871	BOARD, ON/OFF, ONE BUTTON	1
17	NU-25095	KNURLED M3 HIGH A2 S/S	2
18	WS-2420	WASHER, FLAT, #10, NYLON	8
19	NU-36319	NUT, M4, KEPS, ZINC PLATED	4
20	SP-38839	SPACER,M4,4 ID x 6 OD x 6MM LG	4

5019704_7

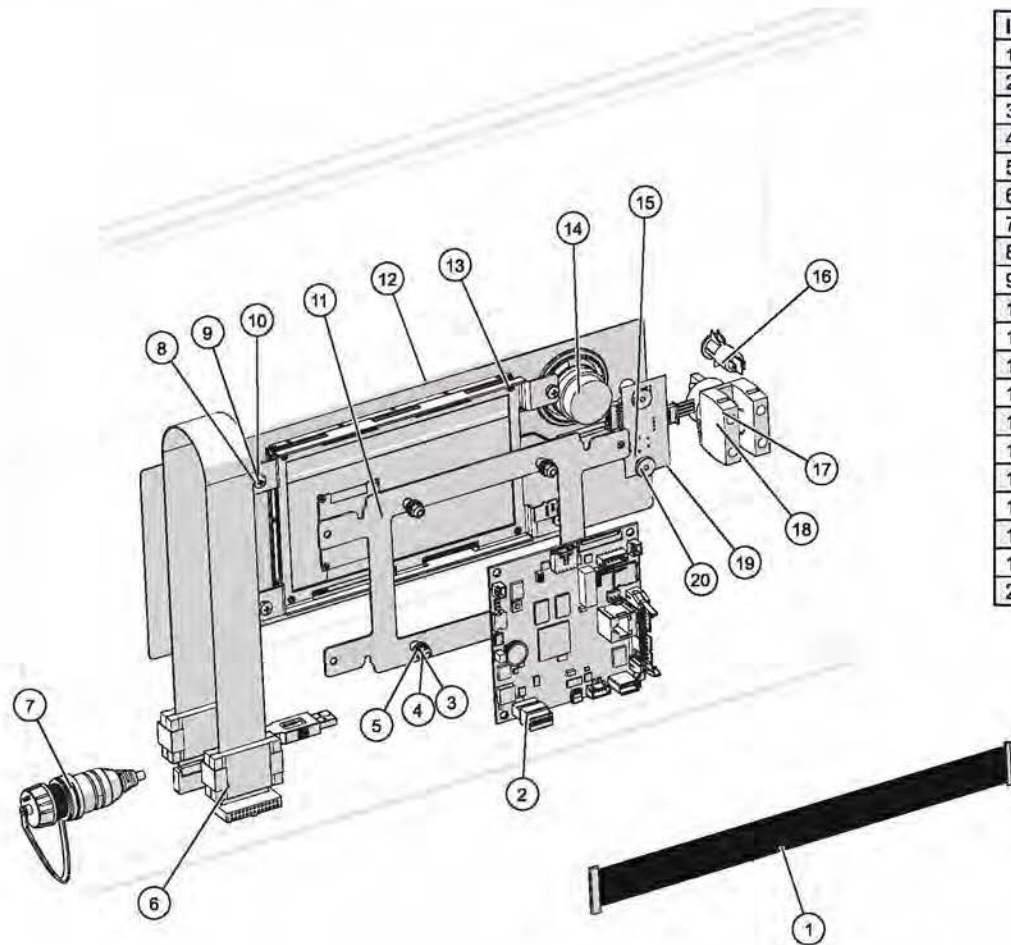
Control Assembly, Left-Hand



ID	Part No.	Description	Qty
1	CB-34033	CABLE, COMMUNICATION, 510MM	1
2	CB-38778	CABLE, LVDS, TWISTED PAIR	1
3	SC-35729	SCREW, M4x0.7X8MM PAN	4
4	5023500	CTX MOUNTING BRACKET ASSEMBLY	1
5	NU-25095	KNURLED M3 HIGH A2 S/S	2
6	CB-29873	CABLE, ON-OFF BOARD	1
7	GS-23622	GASKET, FOAM 20" LENGTH	1
8	CC-36871	BOARD, ON/OFF, ONE BUTTON	1
9	BU-25094	BUSHING, *CT, ML, BRASS, DISTANCE	2
10	BZ-34675	BUZZER, SPEAKER, W/ 10" CABLE	1
11	PE-37221	DISPLAY, OVERLAY	1
12	WS-22300	WASHER, M4 SPLIT LOCK	4
13	5019027	ASSY, DISPLAY MTG, W/O T. GLASS	1
14	WS-22294	WASHER, FLAT M4 18-8 S/S	4
15	CB-34894	CABLE, USB WATERPROOF SHIELDED	1
16	5014750	HACCP PKG W/ USB PORT	1

5019031_7

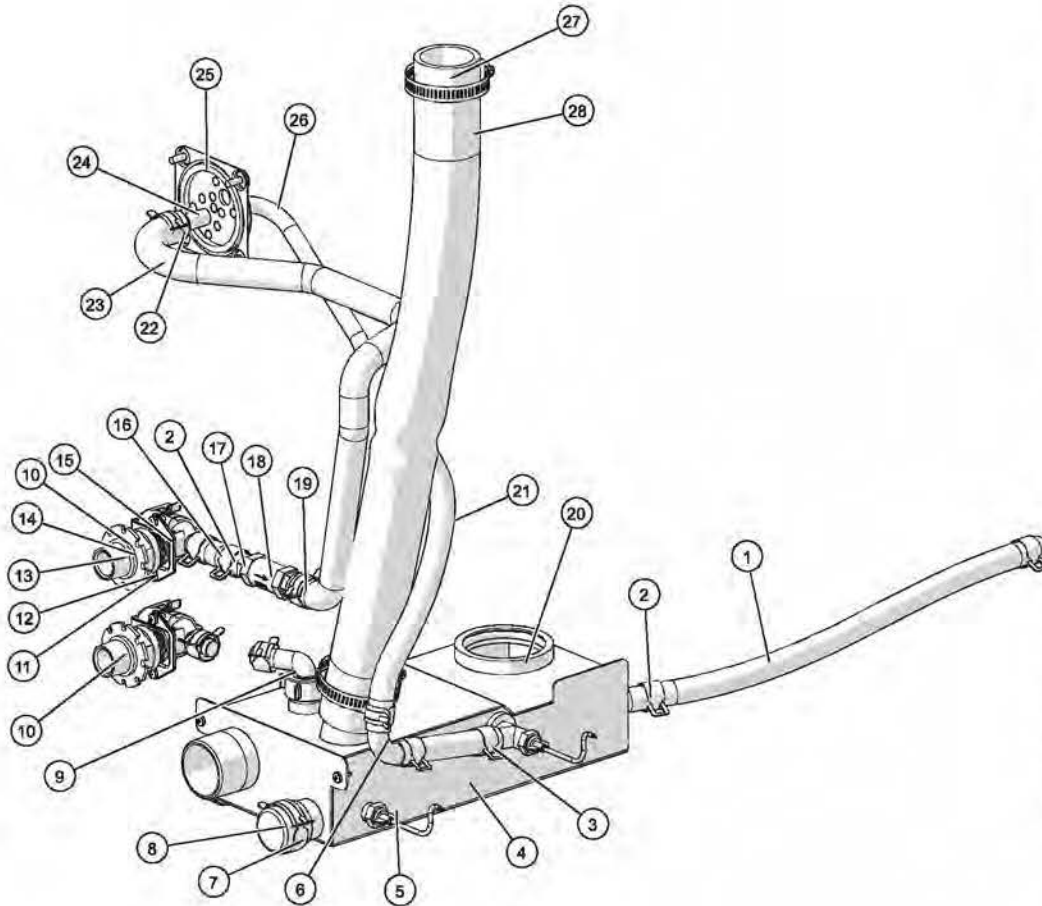
Control Assembly, Left-Hand with Hood



ID	Part No.	Description	Qty
1	CB-38778	CABLE,LVDS, TWISTED PAIR	1
2	CC-38781	BOARD,INTERFACE CIRCUIT BOARD	1
3	WS-2420	WASHER, FLAT, #10, NYLON	8
4	NU-36319	NUT, M4, KEPS, ZINC PLATED	4
5	SP-38839	SPACER,M4,4 ID x 6 OD x 6MM LG	4
6	CB-34400	CABLE,COMMUNICATION, 1550MM	1
7	5014750	HACCP PKG W/ USB PORT	1
8	WS-22300	WASHER, M4 SPLIT LOCK	4
9	SC-35729	SCREW,M4x0.7X8MM PAN	4
10	WS-22294	WASHER, FLAT M4 18-8 S/S	4
11	5023500	CTX MOUNTING BRACKET ASSEMBLY	1
12	PE-37221	DISPLAY, OVERLAY	1
13	5019027	ASSY,DISPLAY MTG ,W/O T. GLASS	1
14	BZ-34675	BUZZER, SPEAKER, W/ 10" CABLE	1
15	BU-25094	BUSHING,*CT,ML,BRASS,DISTANCE	2
16	LI-3951	WHITE PILOT LIGHT 250V	1
17	SW-3683	SWITCH, *CT, PUSHBUTTON, INSERT	1
18	SW-33101	SWITCH, CT POWER, MAIN,	1
19	CC-36871	BOARD, ON/OFF, ONE BUTTON	1
20	NU-25095	KNURLED M3 HIGH A2 S/S	2

5019708_7

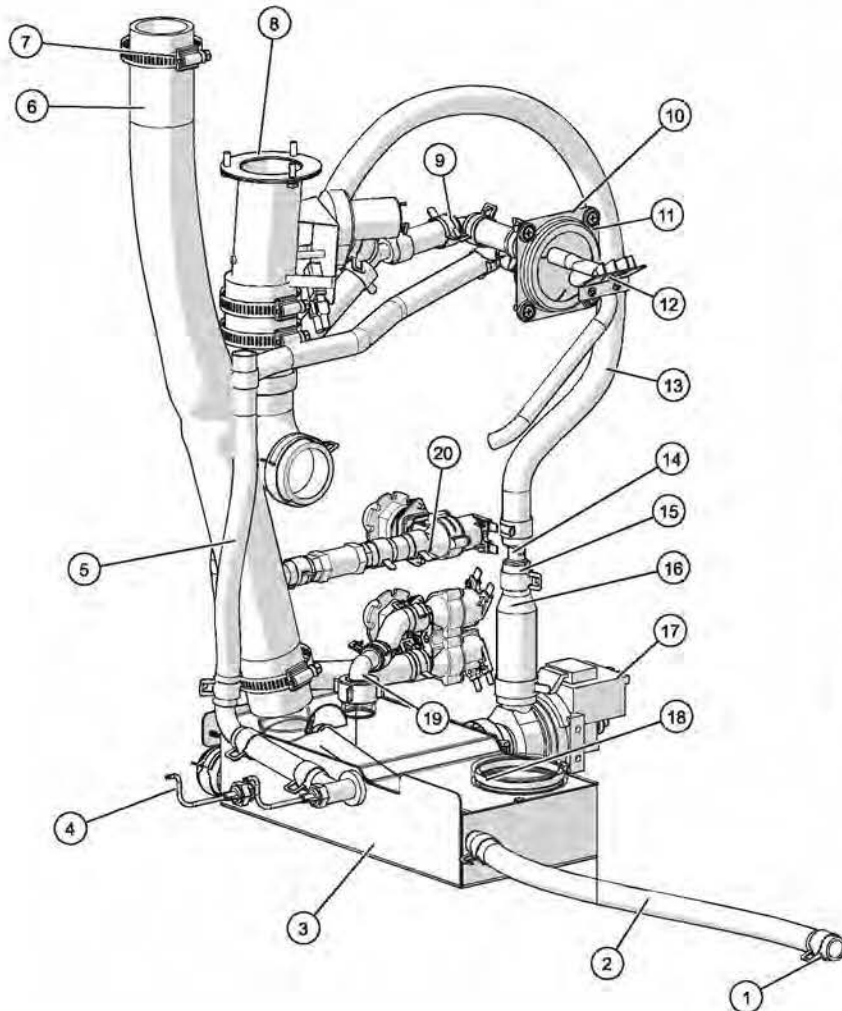
Plumbing Package, Simple, No Cleaning



ID	Part No.	Description	Qty
1	HO-2957	HOSE, TRANSLUCENT SILICON, 17" LG	1
2	CM-28145	CLAMP, HOSE, 20mm	10
3	HO-2957	HOSE, TRANSLUCENT SILICON, 5" LG	1
4	5013628	ASSY CONDENSOR TANK	1
5	PR-33724	*CT, ML COMBI, THERMOCOUPLE,	2
6	EB-22221	ELBOW, 0.63 DIA, CENTER R.875	1
7	CM-29038	CLAMP, HOSE, 38mm	2
8	CP-29648	CAP, PUSH-ON, FITS ON 1-1/4"OD	2
9	HO-22116	FITTING, ELBOW, 90 DEG.,	1
10	5024963	FITTING, G 3/4 BSP BY 3/4 NPT	2
11	SC-22273	SCREW, M4x0.7X10MM PAN	4
12	WS-22300	WASHER, SPLIT LOCK	4
13	FT-39294	FITTING, G 3/4 BSP BY 3/4 NPT	2
14	WS-39293	WASHER, SEALING	2
15	VA-39296	VALVE SOLENOID, SINGLE PORT	2
16	HO-22255	HOSE, 0.5" FLEX, CLEAR, 2.5" LG	1
17	FT-29124	FITTING, 1/2" BARB TO 3/8" NPT ADAPTOR	2
18	VA-29643	VALVE, FLOW CONTROL 0.06 GPM	1
19	CM-29301	CLAMP, HOSE, 23MM	2
20	SA-22212	*CT, O-RING, RED, 59.6MM X 5.33MM	1
21	HO-22255	HOSE, TRANSLUCENT SILICON, 15" LG	1
22	SC-22281	SCREW, M5x0.8X16MM FLAT	4
23	HO-28790	HOSE, 1/2" ID, HI-TEMP, 18" LG	1
24	CV-23896	ML, S/S RING, LIGHT COVERED CORNER	1
25	SA-23934	O-RING, LIGHT, 7.14ML ELEC.	1
26	5016205	WELD ASSY, INJECTION TUBE	1
27	CL-22234	CLAMP, WORM GEAR, 40-60, HOSE	2
28	HO-29435	HOSE, 1 5/8" ID, 23-1/2" LG	1

5019023_5

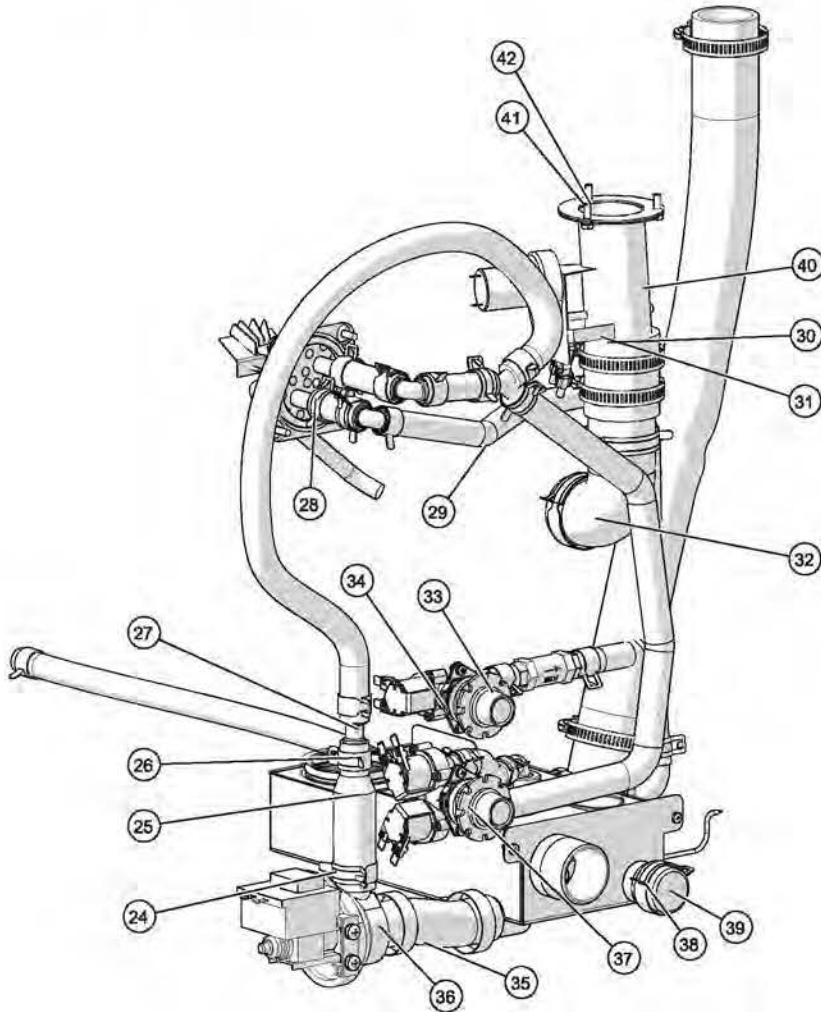
Plumbing Package, Simple, With Cleaning



ID	Part No.	Description	Qty
1	CM-28145	CLAMP, HOSE, 20mm	11
2	HO-2957	HOSE, TRANSLUCENT SILICON, 17" LG	1
3	5013628	ASSY CONDENSOR TANK	1
4	PR-33724	*CT, ML COMBI, THERMOCOUPLE,	2
5	HO-2957	HOSE, TRANSLUCENT SILICON, 15" LG	1
6	HO-29435	HOSE, 1 5/8" ID, 23-1/2"LG	1
7	CL-22234	CLAMP, WORM GEAR, 40-60, HOSE	4
8	VA-26838	PRESSURE VALVE	1
9	HO-28790	HOSE, 1/2" HI-TEMP SILICON, 2.75"LG	2
10	CV-23896	ML, S/S RING, LIGHT COVERED CORNER	1
11	5016140	INJECTION TUBE, WELD ASSY	1
12	5016164	WELD ASSY, CLEANING DEFLECTOR	1
13	HO-28790	HOSE, 1/2" ID, HI-TEMP, 27" LG	1
14	PB-29489	COUPLER, 1/2" TO 1/2",	1
15	CM-29301	CLAMP, HOSE, 23MM	11
16	PB-29289	REDUCER, 7/8"X1/2"	1
17	DA-24973	PUMP, STEAM GENERATOR	1
18	SA-22212	*CT, O-RING, RED, SILICONE, 59.6MM X 5.33MM	1
19	HO-22116	FITTING, ELBOW, 90 DEG.,	1
20	VA-39296	VALVE SOLENOID, SINGLE PORT	2

5019024_5

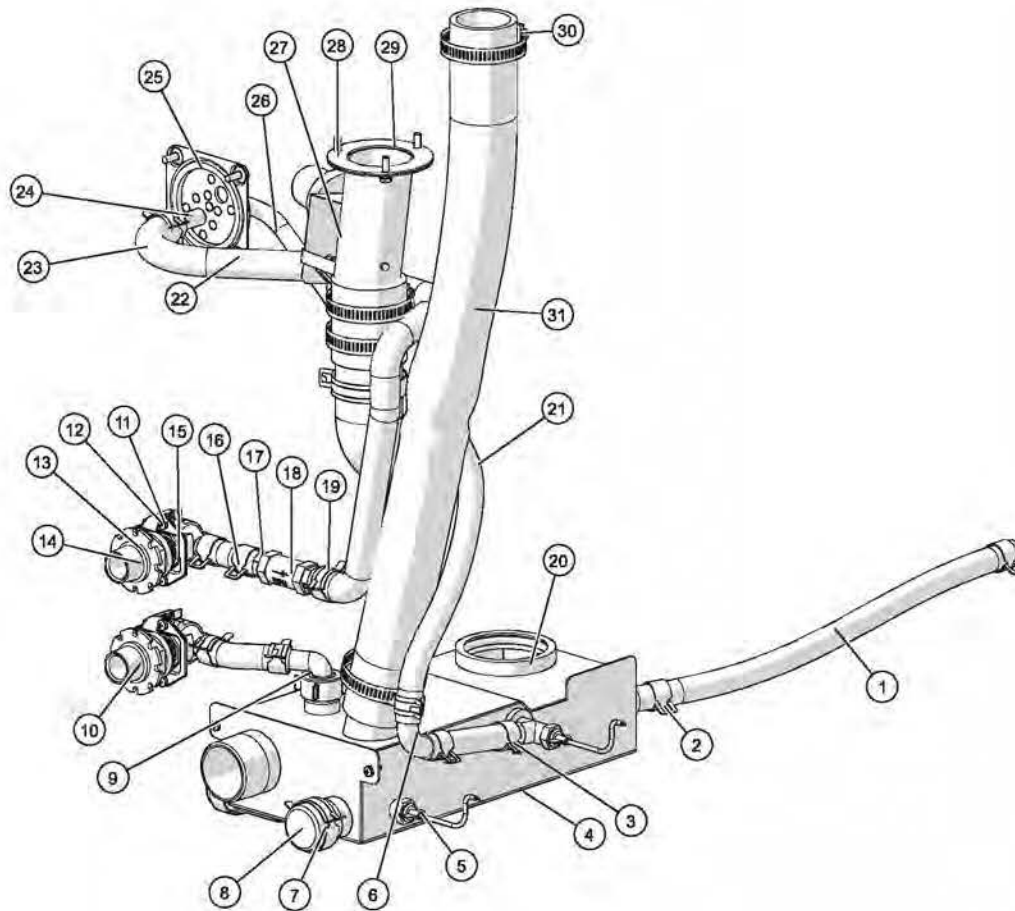
Plumbing Package, Simple, With Cleaning (rear view)



ID	Part No.	Description	Qty
24	CM-29037	CLAMP, HOSE, 32MM	1
25	PB-29289	REDUCER, 7/8"X1/2"	1
26	CM-29301	CLAMP, HOSE, 23MM	11
27	PB-29489	COUPLER, 1/2" TO 1/2"	1
28	HO-28790	HOSE, 1/2" HI-TEMP SILICON, 2.0"LG	1
29	HO-28790	HOSE, 1/2" FLEX, CLEAR, X 29.0" LG	1
30	CL-22234	CLAMP, WORM GEAR, 40-60, HOSE	4
31	HO-27891	HOSE, 1 7/8" ID, 2-1/2"LG	1
32	EB-27207	WASHER DRAIN SUPPORT	1
33	5024963	FITTING, G 3/4 BSP BY 3/4 NPT	2
34	VA-39296	VALVE SOLENOID, SINGLE PORT	2
35	HO-29667	HOSE, STEAM, 4.5" LONG	1
36	CM-22794	CLAMP,S/S,RANGE 3/4"-1 3/4"	2
37	VA-39297	VALVES SOLENOID, DOUBLE PORT	1
38	CM-29038	CLAMP, HOSE, 38mm	1
39	CP-29648	CAP, PUSH-ON, FITS ON 1-1/4"OD	1
40	VA-26838	PRESSURE VALVE	1
41	SA-26890	SEAL, PRESSURE VALVE	1
42	SC-22926	HHCS, M5 X 16, NO MARKINGS	3

5019024DV1_5

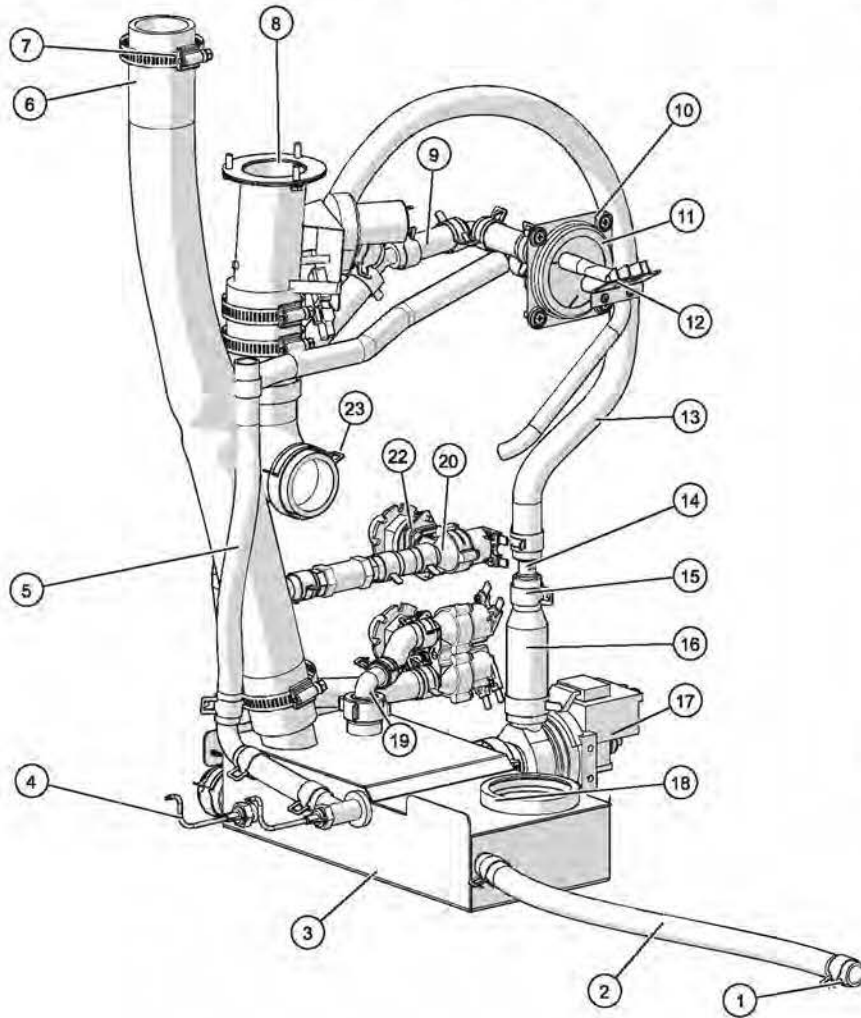
Plumbing Package, Express Touch, No Cleaning



ID	Part No.	Description	Qty
1	HO-2957	HOSE, TRANSLUCENT SILICON, 17" LG	1
2	CM-28145	CLAMP, HOSE, 20mm	10
3	HO-2957	HOSE, TRANSLUCENT SILICON, 5" LG	1
4	5013628	ASSY CONDENSOR TANK	1
5	PR-33724	*CT, ML COMBI, THERMOCOUPLE,	2
6	EB-22221	ELBOW, 0.63 DIA, CENTER R.875	1
7	CM-29038	CLAMP, HOSE, 38mm	2
8	CP-29648	CAP, PUSH-ON, FITS ON 1-1/4"OD	2
9	HO-22116	FITTING, ELBOW, 90 DEG.,	1
10	5024963	FITTING, G 3/4 BSP BY 3/4 NPT	2
11	SC-22273	SCREW,M4x0.7X10MM PAN	4
12	WS-22300	WASHER, SPLIT LOCK	4
13	FT-39294	FITTING, G 3/4 BSP BY 3/4 NPT	2
14	WS-39293	WASHER, SEALING	2
15	VA-39296	VALVE SOLENOID, SINGLE PORT	2
16	HO-22255	HOSE,0.5" FLEX, CLEAR, 2.5" LG	1
17	FT-29124	FITTING, 1/2" BARB TO 3/8" NPT ADAPTOR	2
18	VA-29643	VALVE, FLOW CONTROL 0.06 GPM	1
19	CM-29301	CLAMP, HOSE, 23MM	2
20	SA-22212	*CT, O-RING, RED, 59.6MM X 5.33MM	1
21	HO-2957	HOSE, TRANSLUCENT SILICON, 15" LG	1
22	SC-22281	SCREW,M5x0.8X16MM FLAT	4
23	HO-28790	HOSE, 1/2" ID, HI-TEMP, 18" LG	1
24	CV-23896	ML, S/S RING, LIGHT COVERED CORNER	1
25	SA-23934	O-RING, LIGHT, 7.14ML ELEC.	1
26	5016205	WELD ASSY, INJECTION TUBE	1
27	VA-26838	PRESSURE VALVE	1
28	SC-22926	HHCS, M5 X 16, NO MARKINGS	1
29	SA-26890	SEAL, PRESSURE VALVE	1
30	CL-22234	CLAMP, WORM GEAR, 40-60, HOSE	4
31	HO-29435	HOSE, 1 5/8" ID, 23-1/2"LG	1

5019025_5

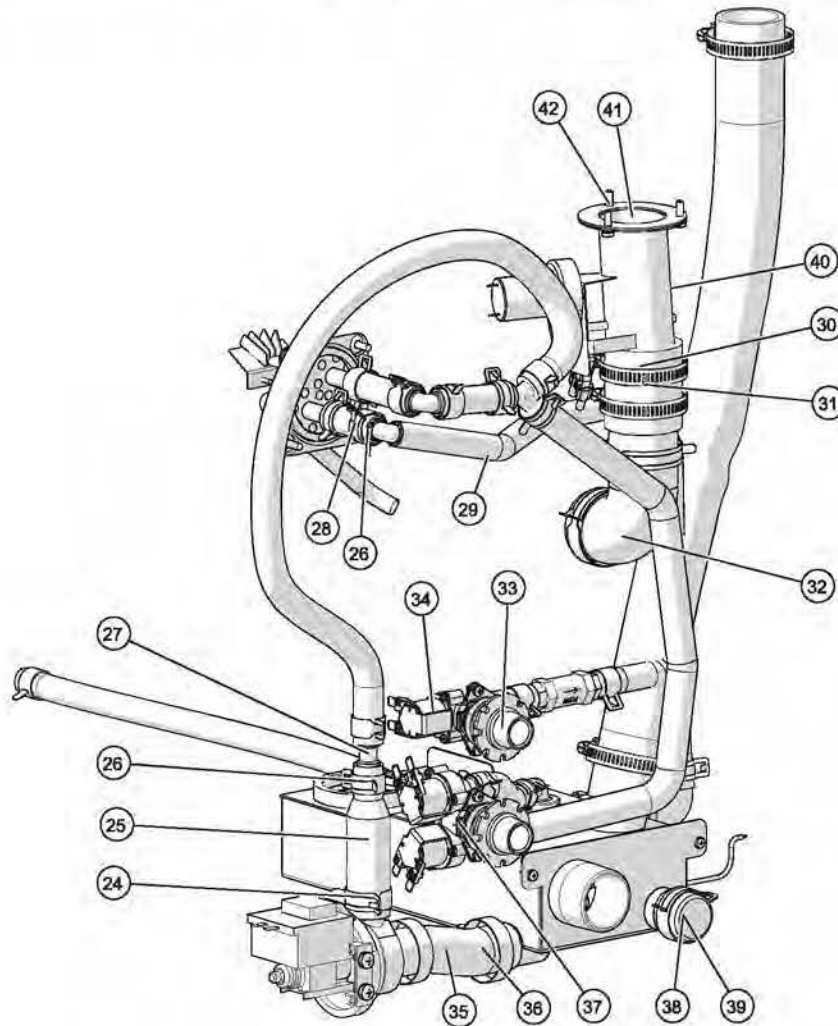
Plumbing Package, Express Touch, With Cleaning



ID	Part No.	Description	Qty
1	CM-28145	CLAMP, HOSE, 20mm	11
2	HO-2957	HOSE, TRANSLUCENT SILICON, 17" LG	1
3	5013628	ASSY CONDENSOR TANK	1
4	PR-33724	*CT, ML COMBI, THERMOCOUPLE,	2
5	HO-2957	HOSE, TRANSLUCENT SILICON, 15" LG	1
6	HO-29435	HOSE, 1 5/8" ID, 23-1/2" LG	1
7	CL-22234	CLAMP, WORM GEAR, 40-60, HOSE	4
8	VA-26838	PRESSURE VALVE	1
9	HO-28790	HOSE, 1/2" HI-TEMP SILICON, 2.75" LG	2
10	CV-23896	ML, S/S RING, LIGHT COVERED CORNER	1
11	5016140	INJECTION TUBE, WELD ASSY	1
12	5016164	WELD ASSY, CLEANING DEFLECTOR	1
13	HO-28790	HOSE, 1/2" ID, HI-TEMP, 27" LG	1
14	PB-29489	COUPLER, 1/2" TO 1/2"	1
15	CM-29301	CLAMP, HOSE, 23MM	11
16	PB-29289	REDUCER, 7/8"X1/2"	1
17	DA-24973	PUMP, STEAM GENERATOR	1
18	SA-22212	*CT, O-RING, RED, SILICONE, 59.6MM X 5.33MM	1
19	HO-22116	FITTING, ELBOW, 90 DEG.,	1
20	VA-39296	VALVE SOLENOID, SINGLE PORT	1
22	5024963	FITTING, G 3/4 BSP BY 3/4 NPT	2
23	CM-29039	CLAMP, HOSE, 55mm	2

5019022_5

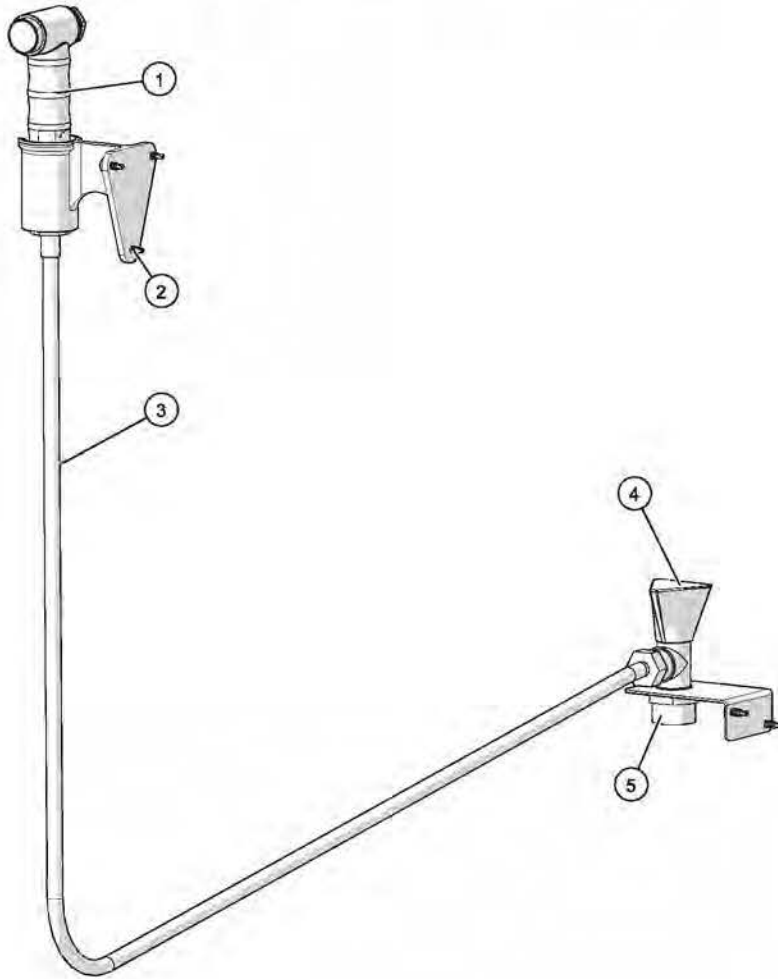
Plumbing Package, Express Touch, With Cleaning (rear view)



ID	Part No.	Description	Qty
24	CM-29037	CLAMP, HOSE, 32MM	1
25	PB-29289	REDUCER, 7/8"X1/2"	1
26	CM-29301	CLAMP, HOSE, 23MM	11
27	PB-29489	COUPLER, 1/2" TO 1/2"	1
28	HO-28790	HOSE, 1/2" HI-TEMP SILICON, 2.0"LG	1
29	HO-28790	HOSE, 1/2" FLEX, CLEAR, X 29.0" LG	1
30	CL-22234	CLAMP, WORM GEAR, 40-60, HOSE	4
31	HO-27891	HOSE, 1 7/8" ID, 2-1/2"LG	1
32	EB-27207	WASHER DRAIN SUPPORT	1
33	5024963	FITTING, G 3/4 BSP BY 3/4 NPT	2
34	VA-39296	VALVE SOLENOID, SINGLE PORT	1
35	HO-29667	HOSE, STEAM, 4.5" LONG	1
36	CM-22794	CLAMP,S/S,RANGE 3/4"-1 3/4"	2
37	VA-39297	VALVES SOLENOID, DOUBLE PORT	1
38	CM-29038	CLAMP, HOSE, 38mm	1
39	CP-29648	CAP, PUSH-ON, FITS ON 1-1/4"OD	1
40	VA-26838	PRESSURE VALVE	1
41	SA-26890	SEAL, PRESSURE VALVE	1
42	SC-22926	HHCS, M5 X 16, NO MARKINGS	3

5019022DV1_5

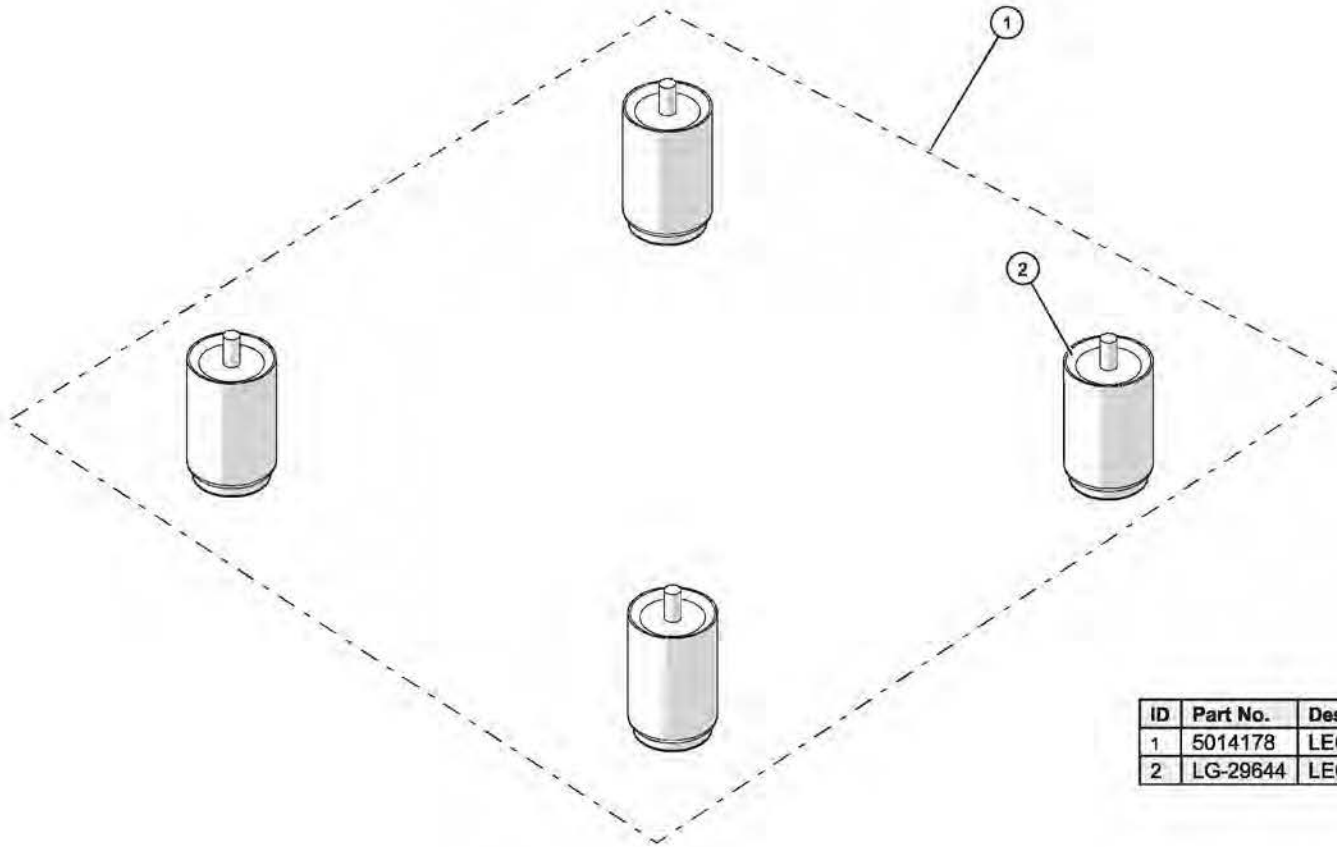
Hand Sprayer Kit (5014743R)



ID	Part No.	Description	Qty
1	PB-29664	PLUMBING, HAND SPRAYER	1
2	SC-38693	SCREW, #8-18 X 1/2", PHIL, PAN	5
3	HO-29669	HOSE, HAND SPRAYER	1
4	VA-29646	VALVE, HAND SPRAYER SHUT-OFF	1
5	PB-35228	PLUMBING, 3/4" GHT (M) TO 1/2 NPT (F)	1

5014743_7

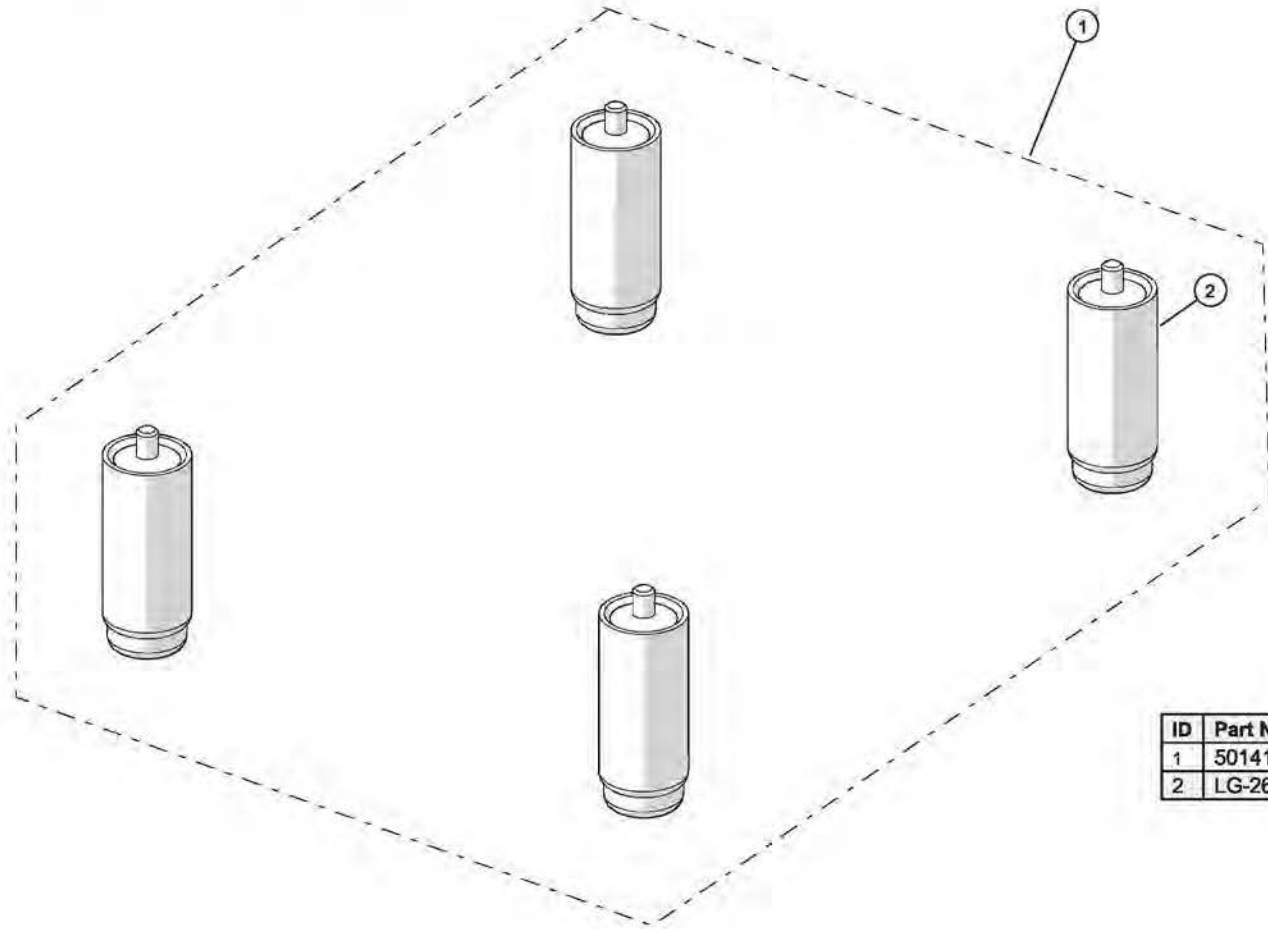
Leg Package, 4" (102mm) Bullet



ID	Part No.	Description	Qty
1	5014178	LEG PKG 4" BULLET	1
2	LG-29644	LEG, 4" ADJUSTABLE	4

5014178_8

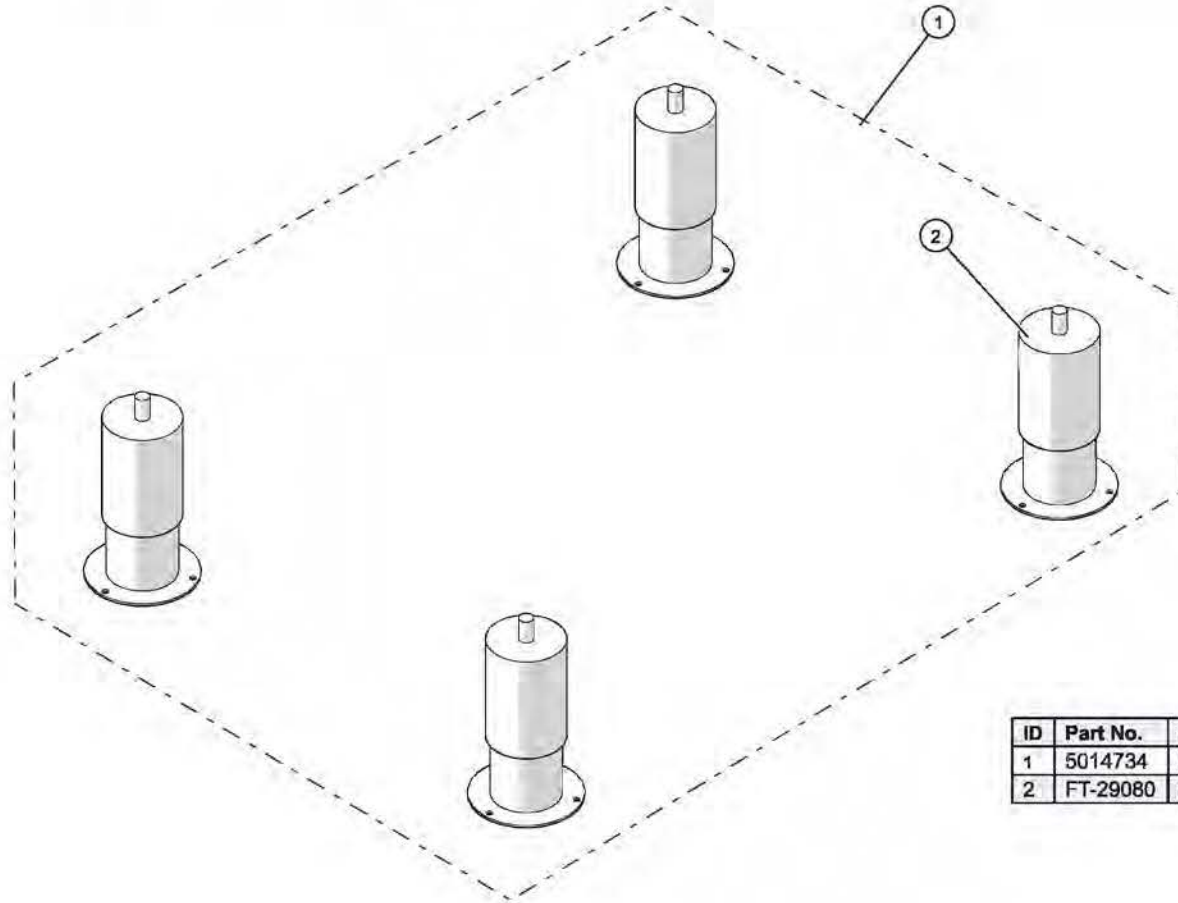
Leg Package, 6" (152mm) Bullet



ID	Part No.	Description	Qty
1	5014179	LEG PKG 6" BULLET	1
2	LG-26867	LEGS, COMBI	4

5014179_8

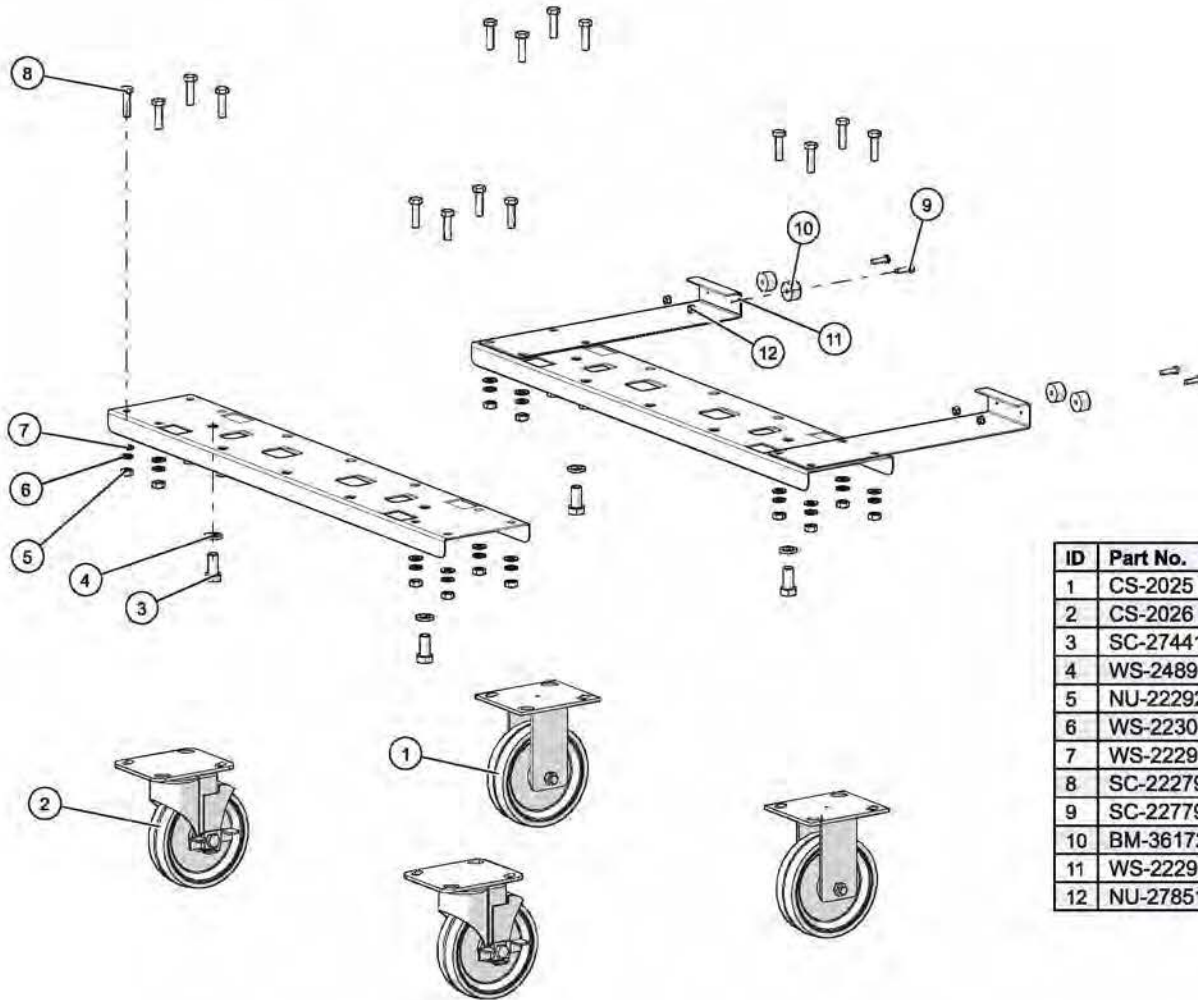
Leg Package, 6" (152mm) Seismic



ID	Part No.	Description	Qty
1	5014734	LEG PKG 6" SEISMIC	1
2	FT-29080	FEET, SEISMIC FLANGE, TABLE TOP	4

5014734_8

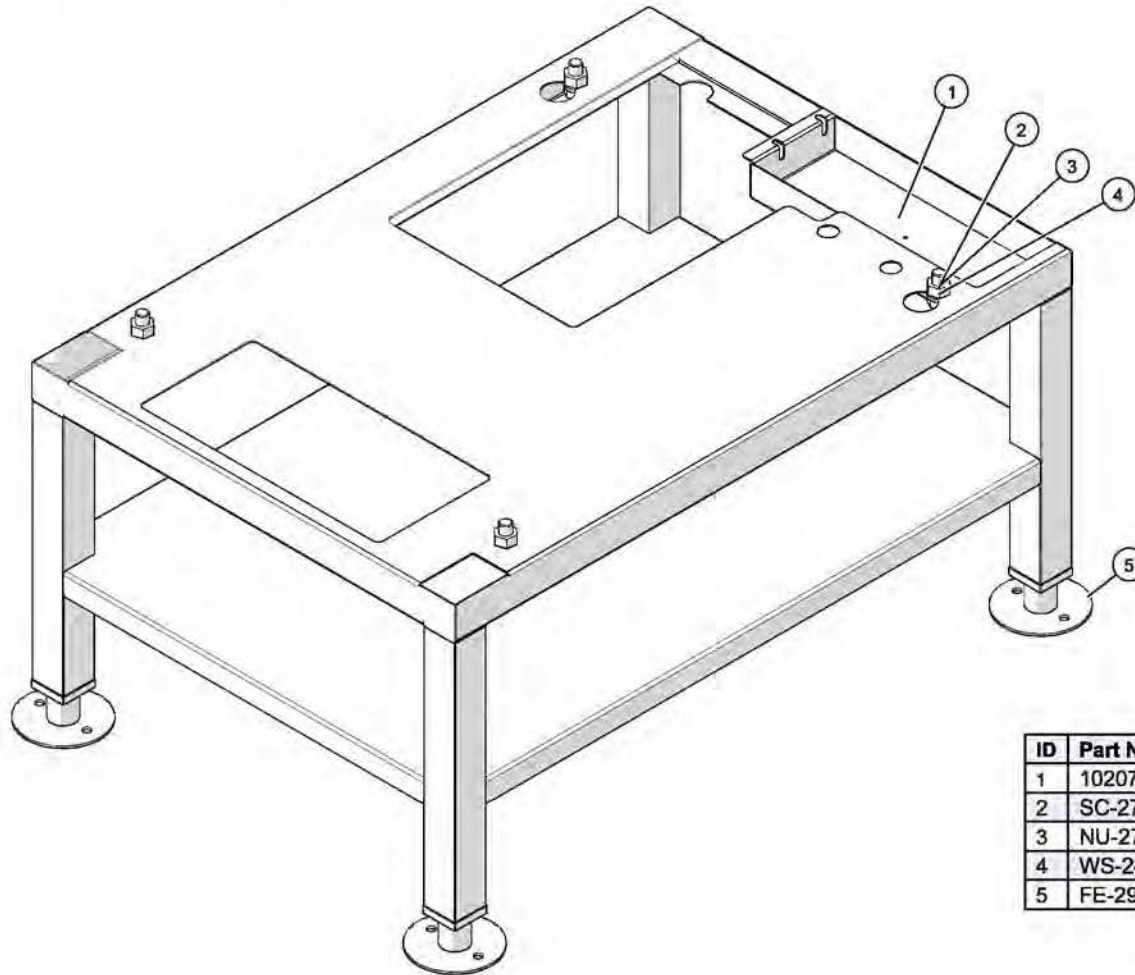
Caster Package, 5" (127mm)



ID	Part No.	Description	Qty
1	CS-2025	CASTER RIGID 5"	2
2	CS-2026	CASTER SWIVEL 5" WITH BRAKE	2
3	SC-27441	SCREW, M12x1.75x25MM HEX	4
4	WS-24893	WASHER, LOCK, 1/2" DIA.	4
5	NU-22292	M8-1.25, HEX NUT 18-8, DIN #934	16
6	WS-22303	WASHER, M8 SPLIT LOCK	16
7	WS-22298	WASHER, M8, 18-8	16
8	SC-22279	SCREW, M8x1.25x30MM HEX	16
9	SC-22779	SCREW, M5x0.8x20MM PAN	4
10	BM-36172	BUMPER, ROUND RUBBER	4
11	WS-22295	WASHER, FLAT M5 S/S	4
12	NU-27851	NUT-HEX 5MM WITH STAR WASHER	4

5016831_2

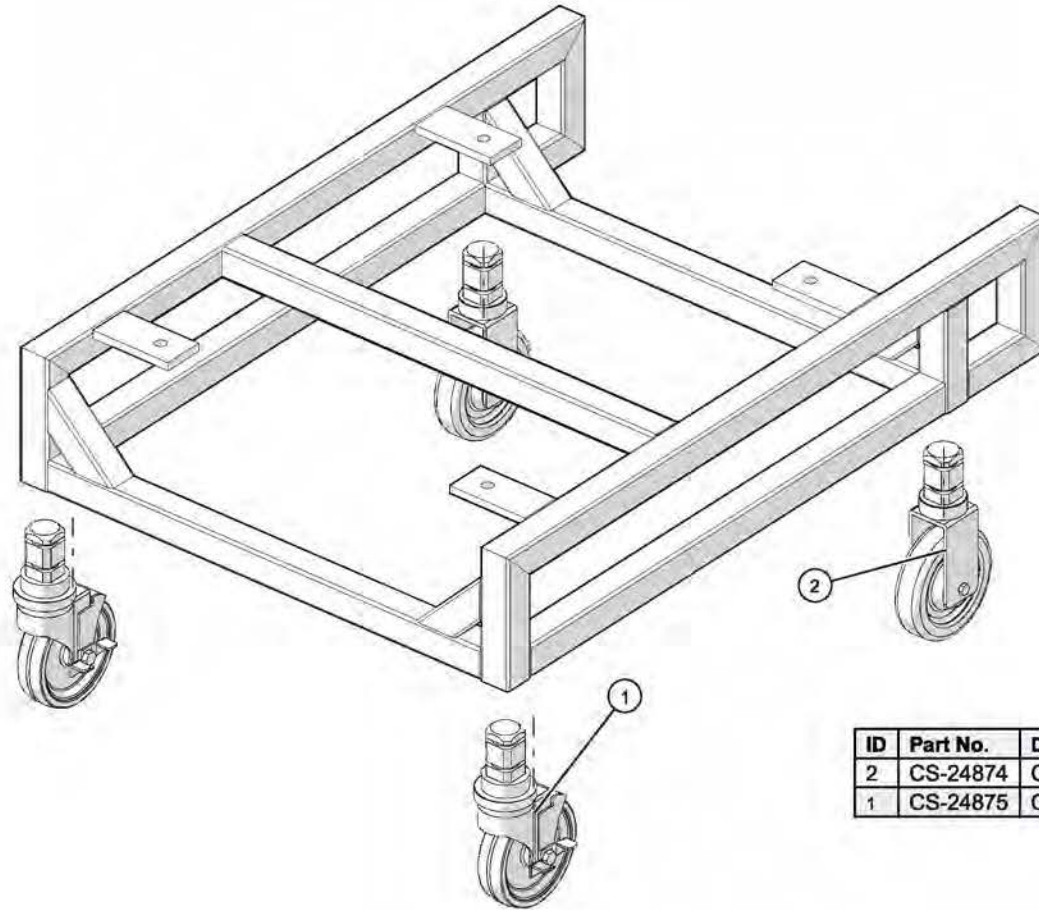
Stand Package with Seismic Feet



ID	Part No.	Description	Qty
1	1020780	COVER, PUMP	1
2	SC-27441	SCREW, M12x1.75x25MM HEX	4
3	NU-27085	M12 HEX NUT	4
4	WS-24893	WASHER, LOCK, 1/2" DIA.	4
5	FE-2916	FOOT, INSERT ADJUSTABLE	4

5014737_8

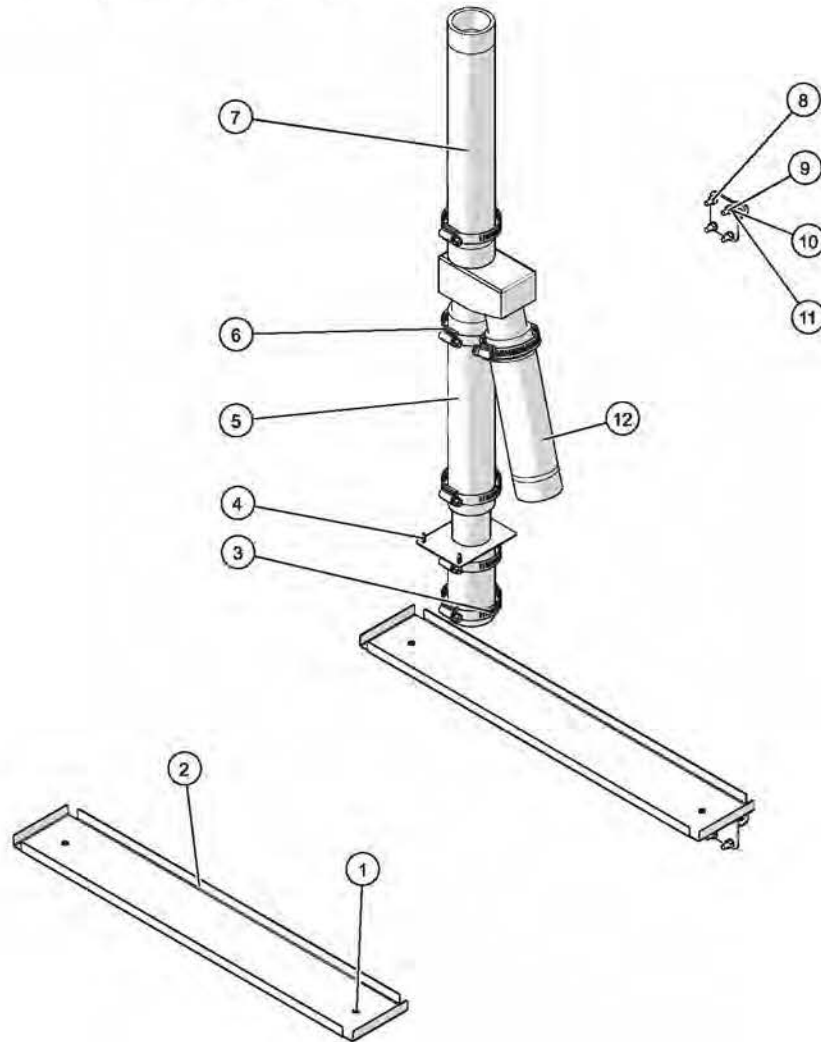
Wheeled Cart



ID	Part No.	Description	Qty
2	CS-24874	CASTER, 5" RIGID, 1.5" STEM	2
1	CS-24875	CASTER, 1.5" STEM, 5" SWIV WHL	2

5017424_0

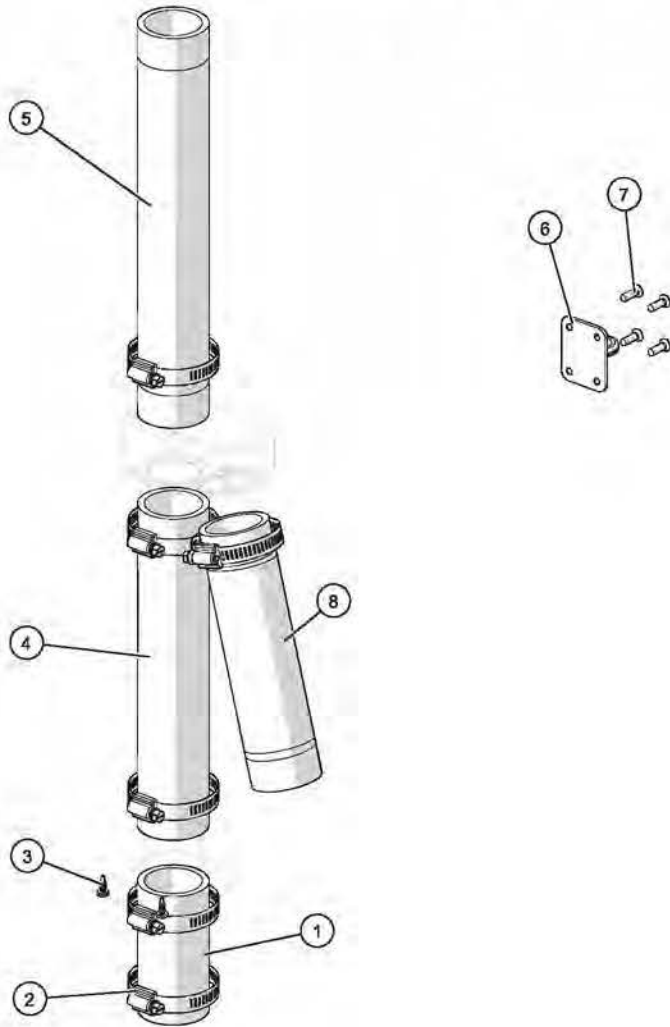
Factory Stacking Kit



ID	Part No.	Description	Qty
1	RI-27108	RIVET, SEALED	4
2	1012838	STIFFENER, STACKING	2
3	HO-29435	HOSE, 1 5/8" ID, 4" LG	1
4	SC-38693	SCREW, #8-18 X 1/2", PHIL, PAN	2
5	HO-29435	HOSE, 1 5/8" ID, 11" LG	1
6	CL-22234	CLAMP, WORM GEAR, 40-60, HOSE	6
7	HO-29435	HOSE, 1 5/8" ID, 12.5" LG	1
8	NU-22289	NUT, M5-0.8 HEX NUT 18-8 DIN # 934	8
9	SC-22281	SCREW, M5x0.8X16MM FLAT	8
10	BT-26884	BRACKET, TETHER.	2
11	WS-22301	WASHER, M5 SPLIT LOCK	8
12	HO-29435	HOSE, 1 5/8" ID, 7.5" LG	1

5014142_3

Stacking Kit, Top Unit Only



ID	Part No.	Description	Qty
1	HO-29435	HOSE, 1 5/8" ID, 4" LG	1
2	CL-22234	CLAMP, WORM GEAR, 40-60, HOSE	6
3	SC-38693	SCREW, #8-18 X 1/2", PHIL, PAN	2
4	HO-29435	HOSE, 1 5/8" ID, 11" LG	1
5	HO-29435	HOSE, 1 5/8" ID, 12.5" LG	1
6	BT-26884	BRACKET, TETHER.	1
7	SC-22281	SCREW, M5x0.8X16MM FLAT	4
8	HO-29435	HOSE, 1 5/8" ID, 7.5" LG	1

5016925_2



ALTO-SHAAM.

Menomonee Falls, WI U.S.A.

Phone 800-558-8744 | +1-262-251-3800 | alto-shaam.com

ASIA

Shanghai, China
Phone +86-21-6173-0336

AUSTRALIA

Brisbane, Queensland
Phone 800-558-8744

CANADA

Concord, Ontario Canada
Toll Free Phone 866-577-4484
Phone +1-905-660-6781

FRANCE

Aix en Provence, France
Phone +33[0]4-88-78-21-73

GMBH

Bochum, Germany
Phone +49 [0]234 298798-0

ITALY

Padua, Italy
Phone +39 3319273313

INDIA

Pune, India
Phone +91 9657516999

MEXICO

Phone 262-251-3800 Ext. 6506

MIDDLE EAST & AFRICA

Dubai, UAE
Phone +971-4-321-9712

CENTRAL & SOUTH AMERICA

Miami, FL USA
Phone 262-251-3800 Ext. 6506