

Carving Stations

CS-100 and CS-200



Manufacturer's Information

Copyright

© Copyright 07/2025 by Alto-Shaam, Inc.
All rights reserved.
This manual or any portion thereof may not be reproduced or used in any manner whatsoever without the express written permission of Alto-Shaam, Inc

Trademarks

All trademarks referenced in this documentation are the property of their respective owners.

Distributor

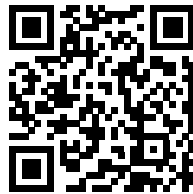
Alto-Shaam, Inc.
P.O. Box 450
W164 N9221 Water Street
Menomonee Falls, WI 53052

Models Covered

CS-100 CS-200

PParts Finder Tool

Interactive diagrams from this Parts Manual are available online at our Parts Finder Tool:
<https://www.alto-shaam.com/en/customer-support/parts>.
Or, scan the QR code below.



Parts Ordering Information

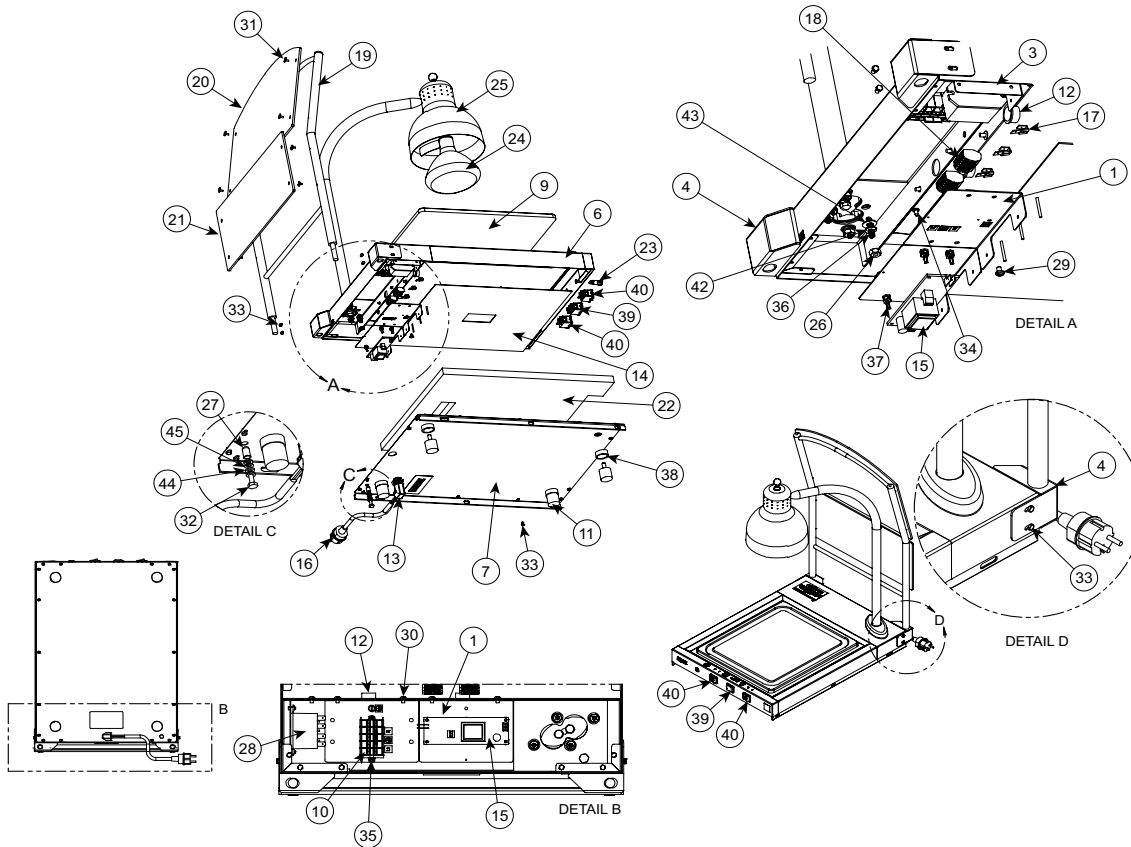
Original manufacturer's replacement parts may be ordered directly from the Alto-Shaam network of Authorized Service Agents and Parts Distributors. Follow this link for a map to a local partner: **<https://www.alto-shaam.com/en/how-to-buy>**. If you are an Authorized Service Agent or Parts Distributor, please submit your purchase order to **parts@alto-shaam.com**.

Non-OEM parts may be substituted; however, these parts must be of equal quality and specifications as those provided by Alto-Shaam.

Table of Contents

Manufacturer’s Information2
Table of Contents3
CS-100 Parts4
CS-200 Parts5
Breath Guards6

CS-100 Parts

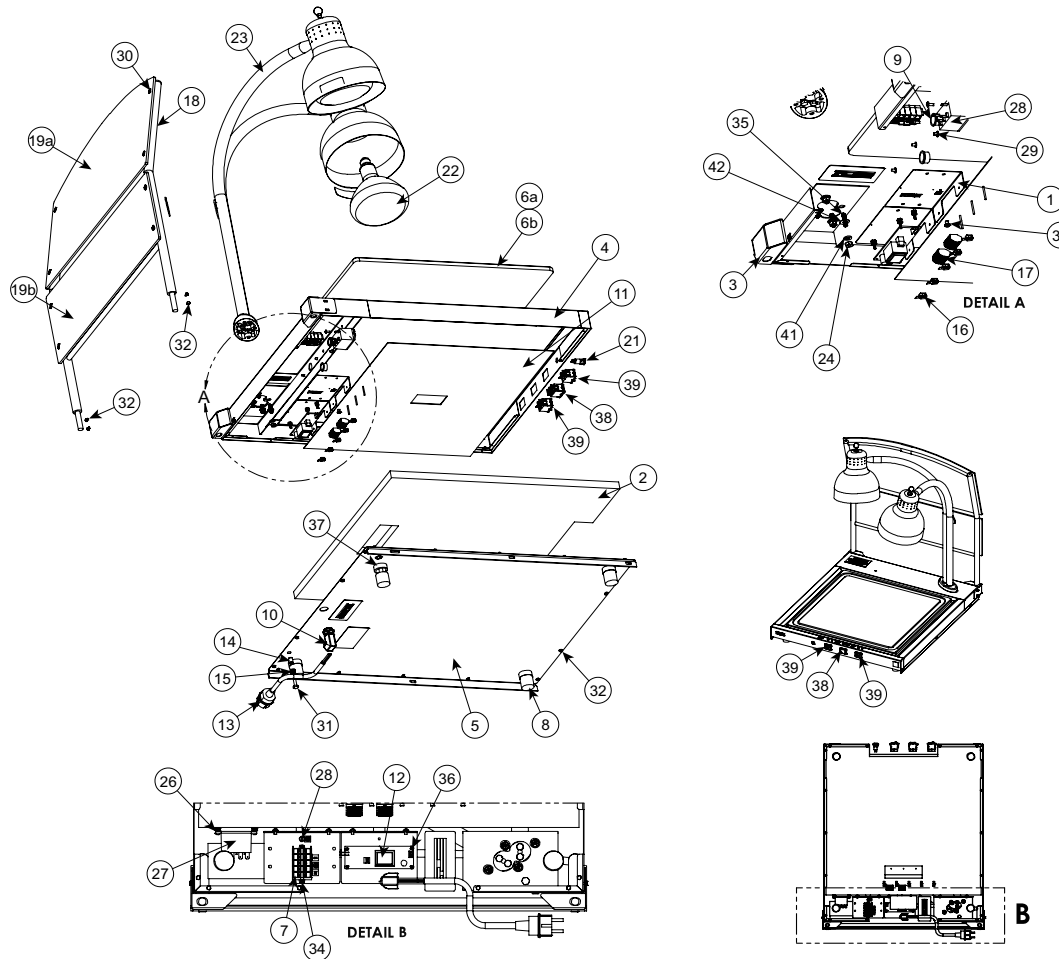


Item	Description	Part No.	Qty
1	L-Bracket	1008529	2
2*	—	—	—
3	Relay Attachment L-Bracket	1011286	1
4	Breath Guard Bracket	1011870	2
5*	—	—	—
6	Top Base Panel Spot	5008801	1
7	Base Housing Cover Panel	5008802	1
8*	—	—	—
9	Cutting Board	BA-49378	1
10	Block, Modular, 5 Pole	BK-25567	1
11	Bumper, 3/8-16 Male Thread	BM-22606	4
12	3/4" White Snap Bushing	BU-3008	2
13	Bushing, Strain Relief, 90°, Black	BU-34898	1
14	Heat Pad	CB-34630	1
15	Control Board, 230V	CC-35016	1
	Control Board, 120V	CC-35015	1
16	Cordset, CEE 7/7, 16A, 250V	CD-3922	1
	Cordset, UK BSI363 8	CD-33925	1
	Cordset, CH2-16P, 16A-250V, 2-Pole	CD-36231	1
	Cordset, NEMA, 5-15P	CD-3232	1
	Cordset, AS/NZS 3112, 15A, 250V	5022145	1
17	Connector, Dual Spade, 1/4"	CR-3849	6
18	Connector-5 Conductor	CR-34646	3
19	Breath Guard Frame	FR-28484	1
20	Glass, 5mm Thick, Tempered, Upper	GL-29240	1
21	Glass, 5mm Thick, Tempered, Lower	GL-29241	1
22	Insulation, 1.000" Thick, Yellow	IN-22265	1
23	White Pilot Light, 120V	LI-3027	1
	White Pilot Light, 230V	LI-3951	1
24	Bulb, Heat Lamp, 120V	LP-35721	1
	Bulb, Heat Lamp, 230V	LP-33781	1
25	Lamp Assembly, Single, 120V	5021624	1
	Lamp Assembly, Single, 230V	5021625	1
	Socket Replacement, 120V	SK-38370	1
	Socket, Replacement, 230V	SK-35028	1
26	Nut, 1/4-20 Hex S/S	NU-2437	4
27	Nut, Threaded Insert, M6	NU-22770	1
28	Relay, SPST30A, 277VAC 12V/DC	RL-33558	1
29	Screw, 10-32 x 1/4" Pan Hd Ground Screw	SC-2190	1
30	Screw, 8-32 x 1/4" Phil Screw	SC-2459	7
31	Screw, 8-32 x 0.375" Flat	SC-2816	8
32	Screw, HHCS, M6 x 20, With No Marking	SC-22924	1
33	Screw 8-32 x 1/4" Hex Head	SC-24751	22
34	Screw, 6-32 x 1/4" Phillips Pan	SC-28384	4
35	Screw, M3 x 22mm, 0.5mm Pitch, Pan Head Phillips	SC-22266	2
36	Screw, Set, Hex #1/4-20 x 1.00" Lg	SC-29222	4
37	Spacer, Screw Mount Support, Nylon	SP-28159	4
38	Spacer, Nylon, 1.300" Dia	SP-38054	4
39	Switch, Rocker, Sealed, 3-Way	SW-38654	4
40	Switch, Rocker, Sealed, Double-Pole	SW-38655	2
41*	Service Kit, Switches, 230V	5022827	1
42	Lock Washer 1/4"	WS-2294	4
43	Washer, 1/4", Flat, 5.8OD 18-8 S/S	WS-22094	4
44	Washer, Flat	WS-22297	2
45	Washer, Split Lock	WS-22302	2

* Not shown

5900024_0

CS-200 Parts

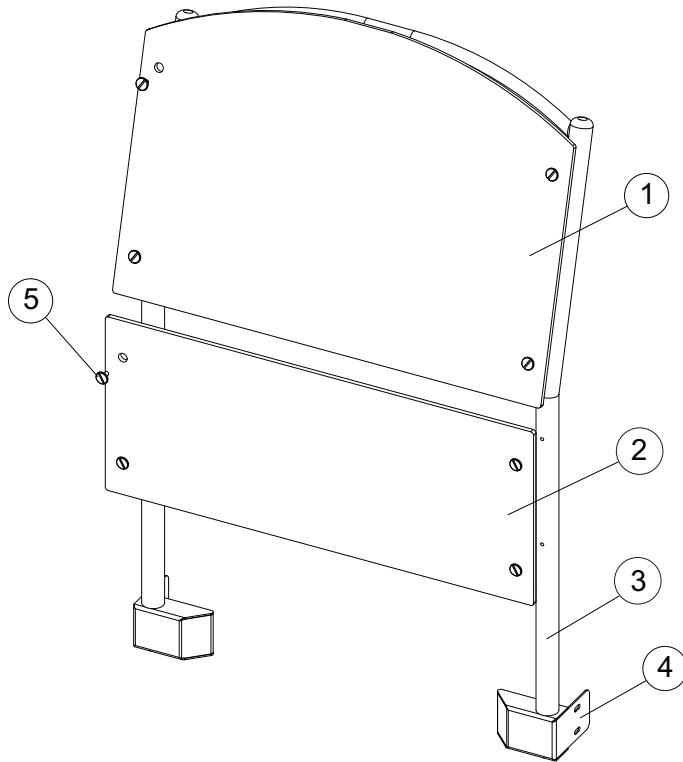


Item	Description	Part No.	Qty
1	L-Bracket	1008529	2
2	Insulation	IN-22265	1
3	Breath Guard Bracket	1011870	2
4	Top Base Panel Spot	5007406	1
5	Bottom Cover Panel Hex Insert	5007447	1
6a	Cutting Board, 21-5/8" (549mm) square	BA-49380	1
6b	Cutting Board, 10-3/4" x 21-5/8" (273mm x 549mm)	BA-49540	1
7	Block, Modular, 5 Pole	BK-25567	1
8	Bumper 3/8-16 Male Thread	BM-22606	4
9	Bushing, 3/4" White, Snap	BU-3008	2
10	Bushing, Strain Relief, 90°, Black	BU-34898	1
11	Heat Pad	CB-34544	1
12	Control Board, 230V	CC-34657	1
	Control Board, 120V	CC-34594	1
13	Cordset, CEE 7/7, 16A, 250V	CD-3922	1
	Cordset, UK BSI363 8"	CD-33925	1
	Cordset, 16A-250VCH2-16P 2 Pole	CD-36231	1
	Cordset, NEMA 5-15P	CD-3232	1
	Cordset, AS/NZS3112, 15A, 250V	5022145	1
14	Washer, Split Lock	WS-22302	2
15	Washer, Flat	WS-22297	2
16	Connector, Dual Spade, 1/4"	CR-3849	6
17	Connector-5 Conductor	CR-34646	3
18	Frame, Weld, Breath Guard	FR-28944	1
19a	Glass, 5mm Thick, Tempered	GL-28416	1
19b	Glass, 5mm Thick, Tempered	GL-28604	1
20*	—	—	—
21	White Pilot Light, 120V	LI-3027	1
	White Pilot Light, 230V	LI-3951	1
22	Bulb, Heat Lamp, 120V	LP-35721	2
	Bulb, Heat Lamp, 230V	LP-33781	2
23	Lamp Assembly, Dual, 120V	5021622	1
	Lamp Assembly, Dual, 230V	5021623	1
	Socket Replacement Kit, 120V	5021151	1
	Socket, Replacement, 230V	SK-35028	1
24	Nut, 1/4-20 Hex S/S	NU-2437	4
25*	Nut, Threaded Insert, M6	NU-22770	1
26	Nut, #8-32UNC KEPS ZP	NU-26526	2
27	Relay, SPST30A, 277VAC 12VDC	RL-33558	1
28	Screw, 10-32 x 1/4 Pan Hd Ground Screw	SC-2190	1
29	Screw, 8-32 x 1/4" Phil Screw	SC-2459	6
30	Screw, 8-32 x 0.375", Flat	SC-2816	8
31	Screw, HHCS, M6 x 20, With No Marks	SC-22924	1
32	Screw 8-32 x 1/4" Hex Head	SC-24751	22
33	Screw, 6-32 x 1/4" Phillips Pan	SC-28384	4
34	Screw, M3 x 22mm, 0.5mm Pitch, Pan Head Phillips	SC-22266	2
35	Screw, Sest, Hex, #1/4-20 x 1.00" Lg	SC-29222	4
36	Spacer, Screw Mount Support, Nylon	SP-28159	4
37	Spacer, Nylon, 1.300" Dia	SP-38054	4
38	Switch, Rocker, Sealed, 3-Way	SW-38664	1
39	Switch, Rocker, Sealed, Double-Pole	SW-38665	2
40*	Service Kit, Switches, 230V	5022827	1
41	Lock Washer 1/4"	WS-2294	4
42	Washer, 1/4", Flat, 5/8 OD 18-8 S/S	WS-22094	4

* Not shown

5900025_0

Breath Guards



CS-100 - [5012582](#)

Item	Description	Part No.	Quantity
1	Bracket	1011870	2
2	Frame	FR-28484	1
3	Glass, tempered, 5mm, Upper	GL-29240	1
4	Glass, tempered, 5mm, Lower	GL-29241	1
5	Screw, .8-32x3/8, 1/2 dia. head	SC-2816	8

CS-200 - [5009074](#)

Item	Description	Part No.	Quantity
1	Bracket	1011870	2
2	Frame	FR-28944	1
3	Glass, tempered, 5mm, Upper	GL-28416	1
4	Glass, tempered, 5mm, Lower	GL-28604	1
5	Screw, .8-32x3/8, 1/2 dia. head	SC-2816	8



ALTO-SHAAM.

Menomonee Falls, WI U.S.A.

Phone 800-558-8744 | +1-262-251-3800 | alto-shaam.com

ASIA

Shanghai, China
Phone +86-21-6173-0336

AUSTRALIA

Brisbane, Queensland
Phone 800-558-8744

CANADA

Concord, Ontario Canada
Toll Free Phone 866-577-4484
Phone +1-905-660-6781

FRANCE

Aix en Provence, France
Phone +33(0)4-88-78-21-73

GMBH

Bochum, Germany
Phone +49 (0)234 298798-0

ITALY

Padua, Italy
Phone +39 3319273313

INDIA

Pune, India
Phone +91 9657516999

MEXICO

Phone 262-251-3800 Ext. 6506

MIDDLE EAST & AFRICA

Dubai, UAE
Phone +971-4-321-9712

CENTRAL & SOUTH AMERICA

Miami, FL USA
Phone 262-251-3800 Ext. 6506