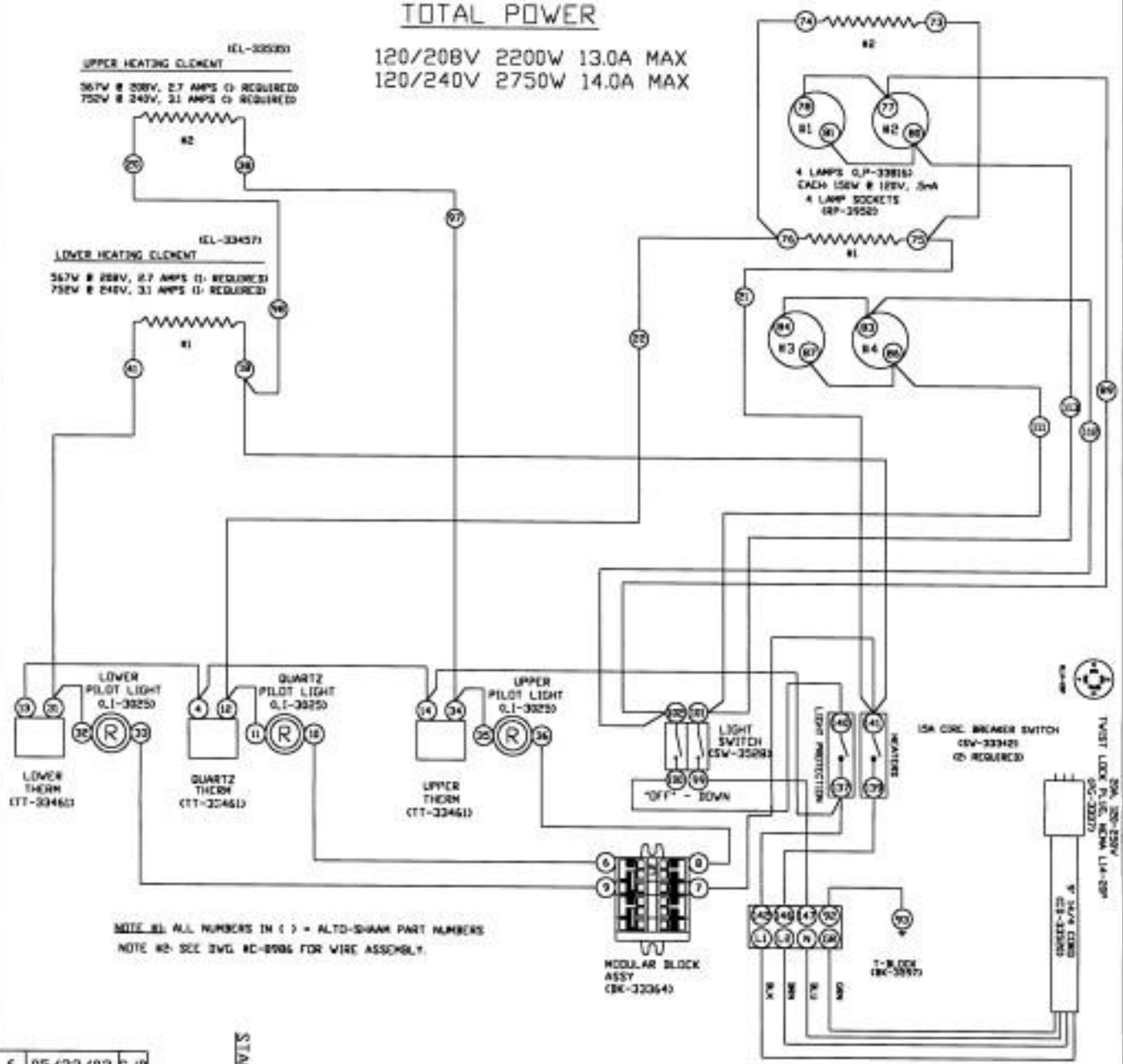


# TOTAL POWER

120/208V 2200W 13.0A MAX  
120/240V 2750W 14.0A MAX

UPPER & LOWER QUARTZ HEATING ELEMENT  
TEL-32517) 225V @ 208V, 1.1 AMPS (I) REQUIRED  
TEL-32517) 330V @ 240V, 1.3 AMPS (I) REQUIRED



NOTE: ALL NUMBERS IN ( ) = ALTO-SHAM PART NUMBERS  
NOTE: NO. 20 - SEE DWG. NO. 8986 FOR WIRE ASSEMBLY.

STANDARD TOLERANCE (+0.015") UNLESS OTHERWISE SPECIFIED

6	05/22/02	CJB
5	08/30/01	LRP
4	07/31/01	NW
3	06/08/01	NW
2	12/13/00	NW
1	11/10/00	NW
NO.	REVISION	BY

**WIRING DIAGRAM**

MODELS: CC-24 120/208-240V 60HZ QUS3

**ALTO-SHAM**  
MENOMONIE FALLS, WISC. 53052-1500

BY: NWV SCALE: NONE DWG: B-7565  
APP'D: D.D.F. DATE: 11/09/00

NOTE #1: ALL NUMBERS IN ( ) = ALTO-SHAAM PART NUMBERS  
 NOTE #2: SEE DWG. KC-8100 FOR WIRE ASSEMBLIES

UPPER & LOWER QUARTZ HEATING ELEMENT

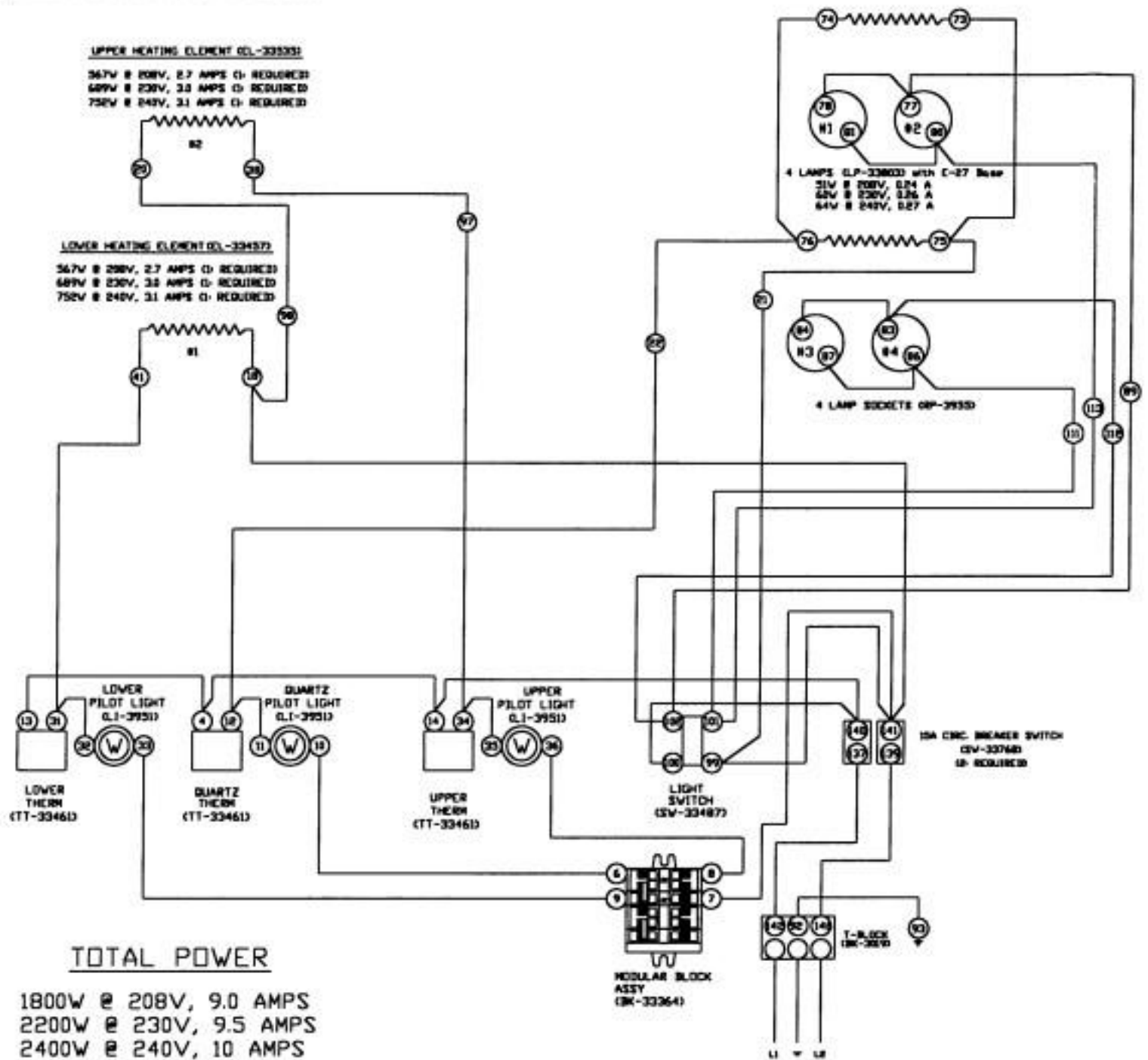
EL-32577 225W @ 208V, 1.1 AMPS (2 REQUIRED)  
 EL-32577 275W @ 230V, 1.2 AMPS (2 REQUIRED)  
 EL-32577 300W @ 240V, 1.3 AMPS (2 REQUIRED)

UPPER HEATING ELEMENT EL-32577

567W @ 208V, 2.7 AMPS (2 REQUIRED)  
 689W @ 230V, 3.0 AMPS (2 REQUIRED)  
 752W @ 240V, 3.1 AMPS (2 REQUIRED)

LOWER HEATING ELEMENT EL-32577

567W @ 208V, 2.7 AMPS (2 REQUIRED)  
 689W @ 230V, 3.0 AMPS (2 REQUIRED)  
 752W @ 240V, 3.1 AMPS (2 REQUIRED)



TOTAL POWER

1800W @ 208V, 9.0 AMPS  
 2200W @ 230V, 9.5 AMPS  
 2400W @ 240V, 10 AMPS

ENGINEERING DRAWING ONLY. SUBJECT TO CHANGE

NO.	REVISION	BY:	WIRING DIAGRAM	
			MODELS: CC24 230V	
			<b>ALTO-SHAAM.</b>	
			MENOMONEE FALLS, WISC. 53052-450	
			SCALE: NONE	DWG: A-7629
			BY: D.D.F.	DATE: 03/08/02