

TERMINAL BLOCK BK-34372

NOTE: WIRE PLUG FROM PIN SIDE

FA-34232

TO COMBUSTION BLOWER

FILTRATION OPTION

CD-34380

CONNECT L1 AND P1
CONNECT L2, T4, T5 AND T6
CONNECT T5/P2 AND T3
INSTALL 1/2" VORE NUT

NOTE: WIRE MOTOR FOR 120V. USE (3) BLACK (CP-3388) WIRE NUTS.

PUMP MOTOR MD-26835

PUMP SWITCH SW-34240

LI-34252 (LIGHT)
LT-34251 (PUSHBUTTON)

(CR-3851)

BK-3019

STRAIN RELIEF (BU-3964)

CORD (CD-34094)
16/3 SJTOW NEMA 5-15P

	VOLTS	WATTS	AMPS
UL LISTING	120V	864W	7.2A
	120V	864W	7.2A

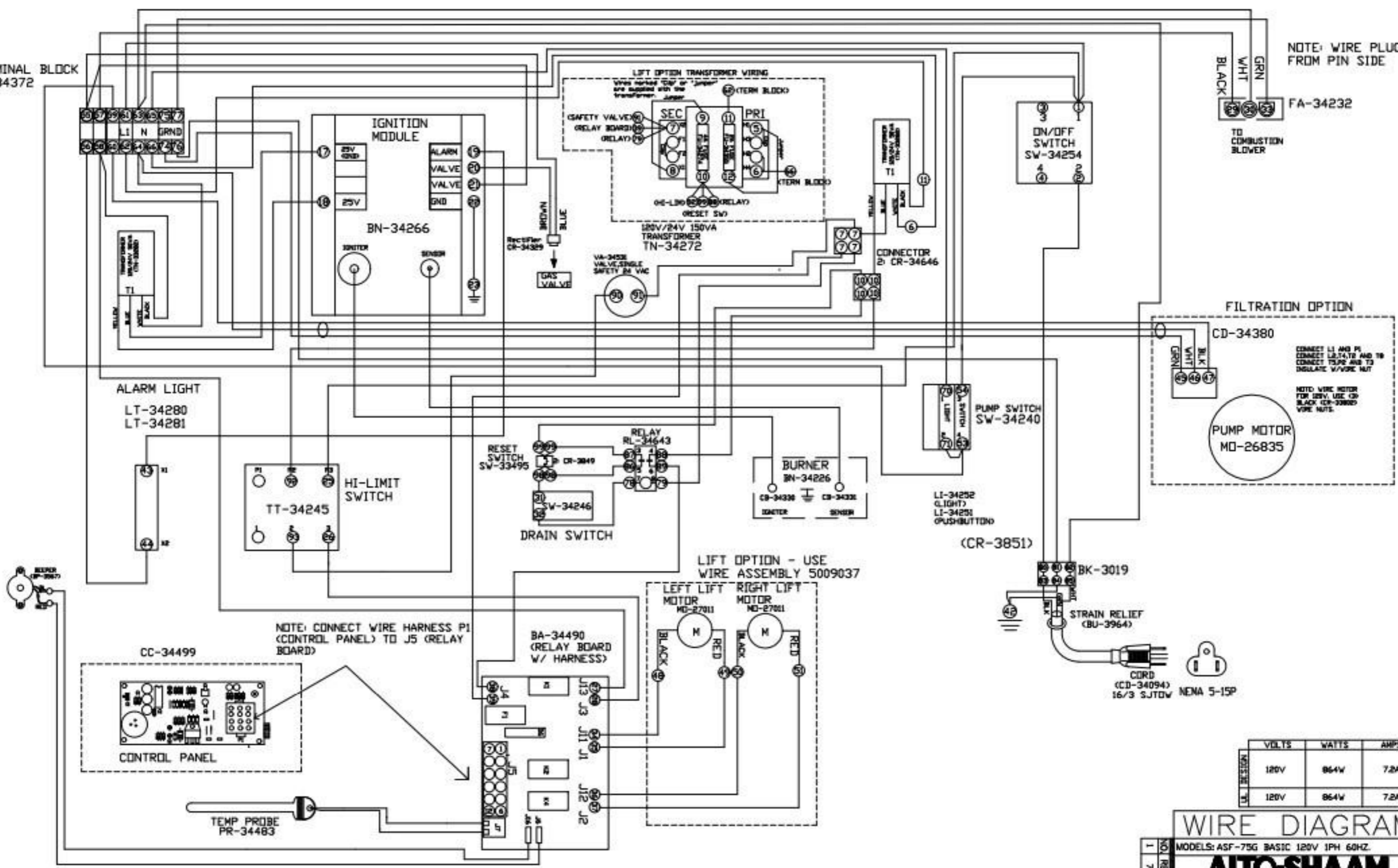
WIRE DIAGRAM

MODELS: ASF-75G BASIC 120V 1PH 60HZ.

AUTO-SHAAM
MENCONEE FALLS, WIS. 53052-450

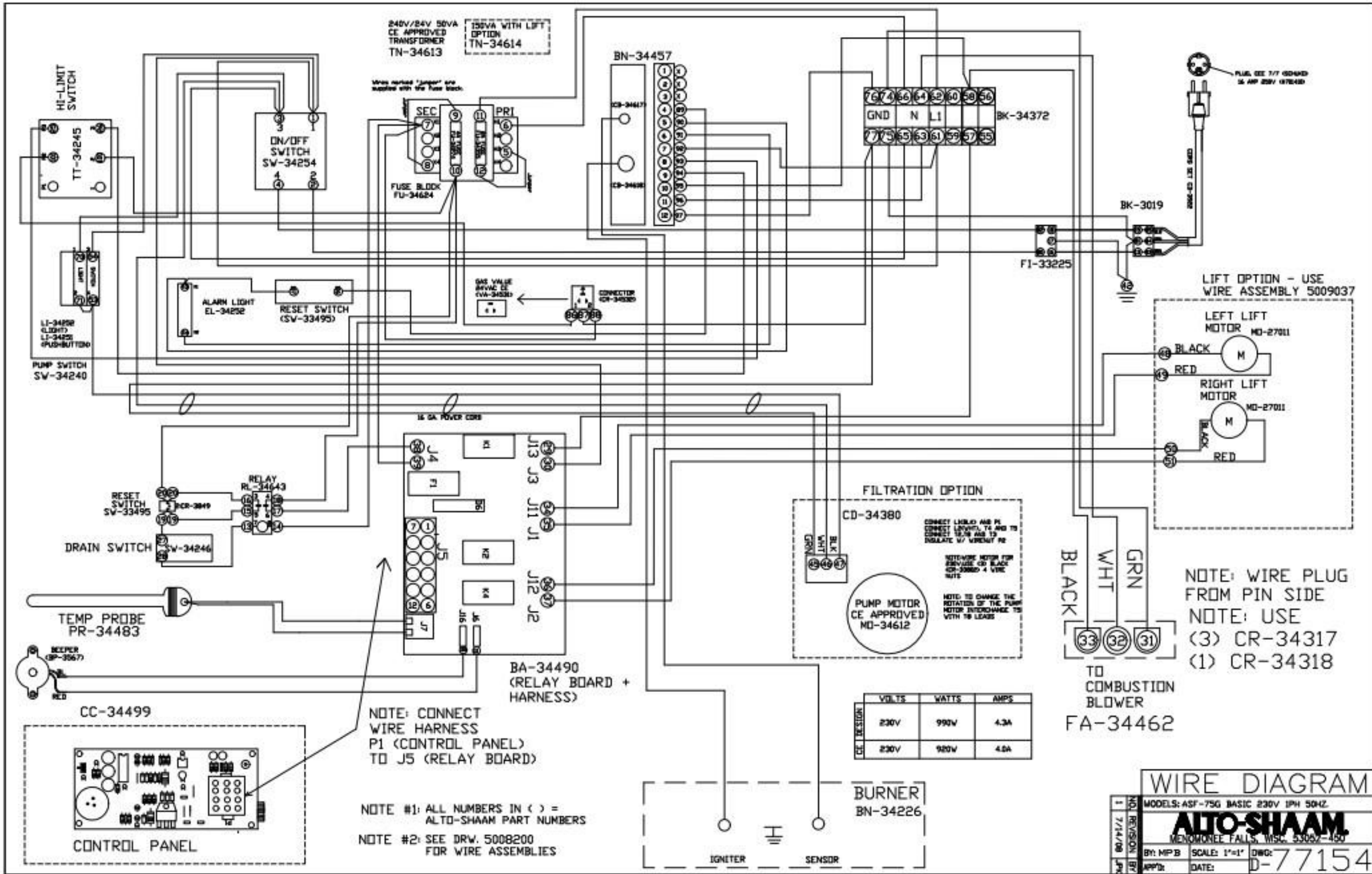
BY: MPB SCALE: 1"=1" DWG: D-77028
APPD: DATE:

NOTE #1: ALL NUMBERS IN () = ALTO-SHAAM PART NUMBERS
NOTE #2: SEE 500727B FOR WIRE ASSEMBLY



NOTE: CONNECT WIRE HARNESS P1 (CONTROL PANEL) TO J5 (RELAY BOARD)

LIFT OPTION - USE WIRE ASSEMBLY 5009037



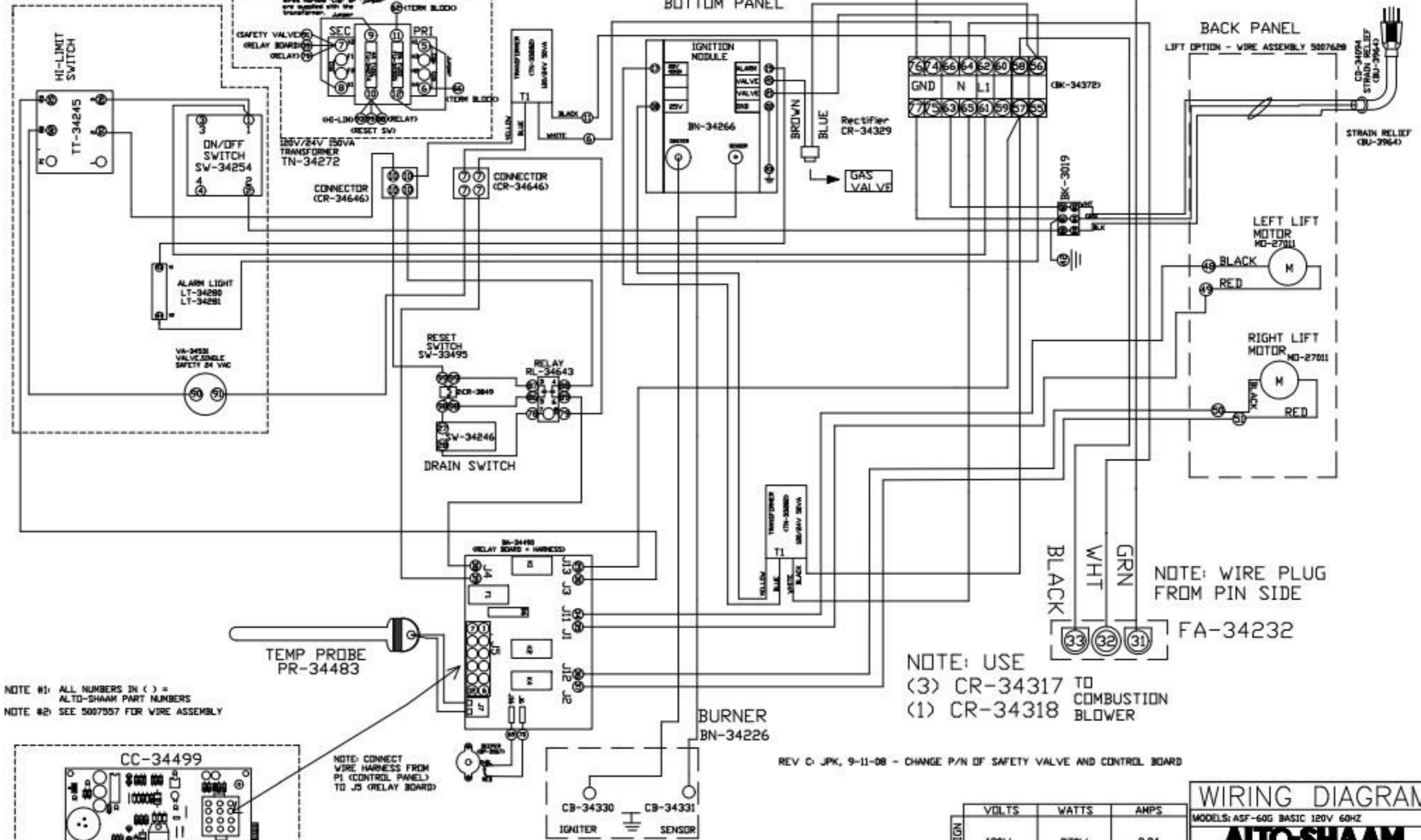
WIRE DIAGRAM

NO. REVISION	BY	DATE	MODELS: ASF-75G BASIC 230V 1PH 50HZ
1	MJP/B	7/14/08	
APP'D:	SCALE: 1"=1'	DWG:	D-77154

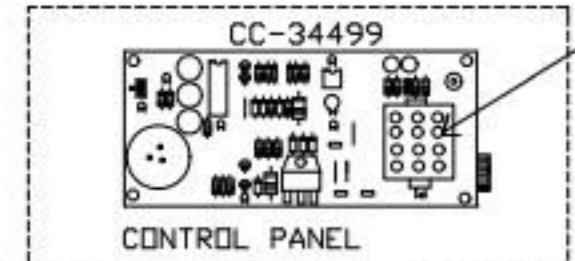
FRONT PANEL (BACKSIDE)

BOTTOM PANEL

BACK PANEL



NOTE #1: ALL NUMBERS IN () = ALTO-SHAAM PART NUMBERS
 NOTE #2: SEE 5007557 FOR WIRE ASSEMBLY



NOTE: USE (3) CR-34317 TO COMBUSTION BLOWER
 (1) CR-34318 TO COMBUSTION BLOWER

REV C JPK, 9-11-08 - CHANGE P/N OF SAFETY VALVE AND CONTROL BOARD

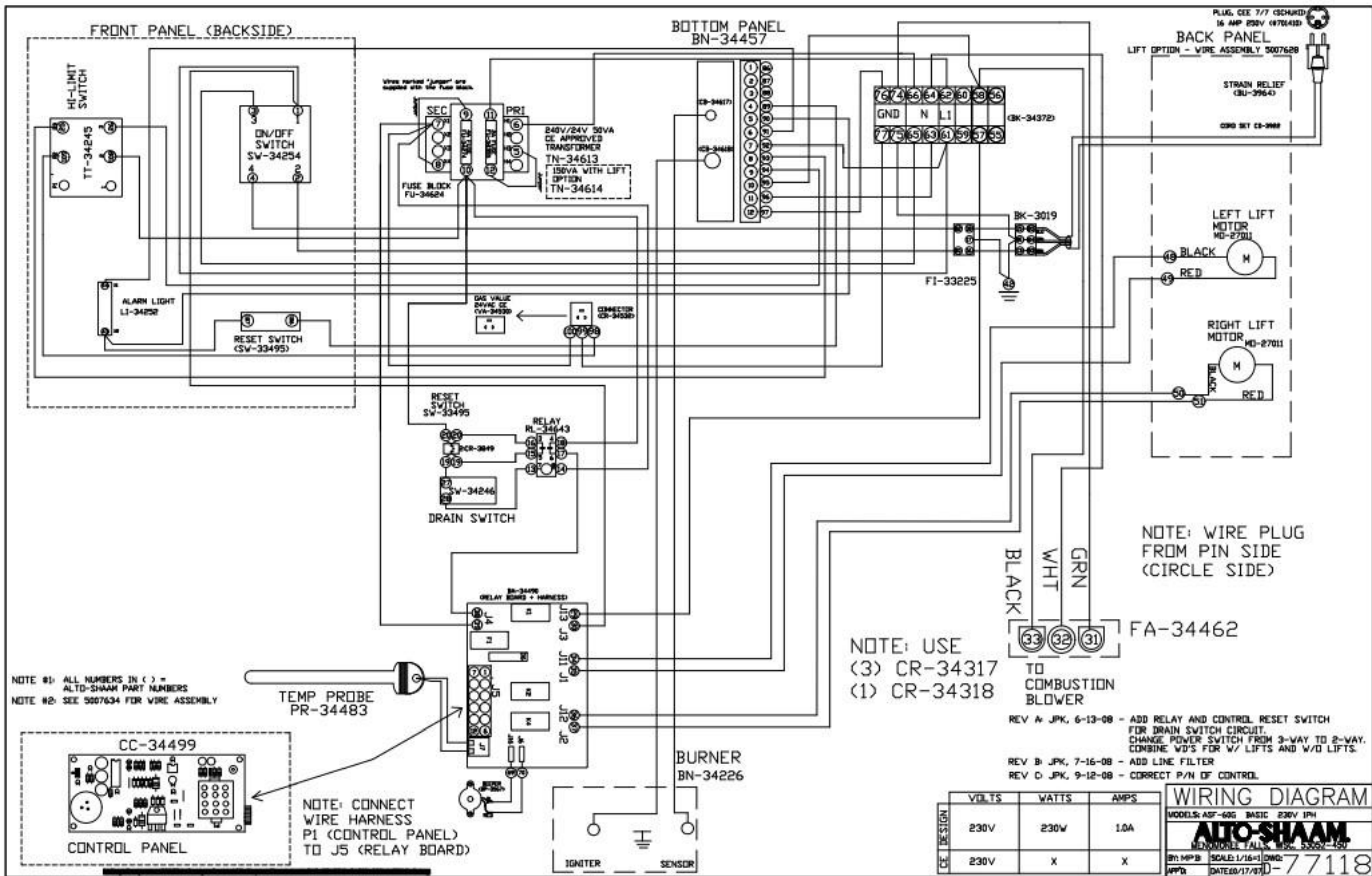
	VOLTS	WATTS	AMPS
DESIGN	120V	270W	2.2A
UL	120V	270W	2.2A

WIRING DIAGRAM

MODELS: ASF-60G BASIC 120V 60HZ

ALTO-SHAAM
 MENOMONEE FALLS, WIS. 53052-450

BY: MPB SCALE: 1"=1' DWG: 77071
 APP'D: DATE: 7/1/07



	VOLTS	WATTS	AMPS
CE DESIGN	230V	230W	1.0A
	230V	X	X

WIRING DIAGRAM

MODEL: ASF-60G BASIC 230V 1PH

AUTO-SHAAM
NEWNORE TALK INC. 5352-150

BY: MPB SCALE: 1/16"=1" DWG: D-77118
APP'D: DATE: 06/17/07