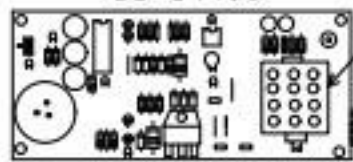


NOTE: CONNECT WIRE HARNESS P1 (CONTROL PANEL) TO J5 (RELAY BOARD)

CC-34499

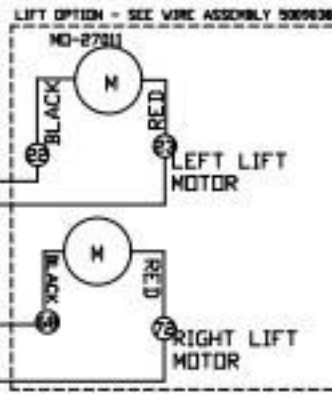
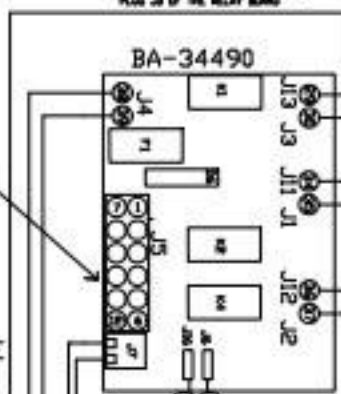


CONTROL PANEL

TEMP PROBE PR-34483

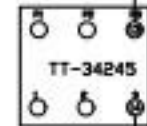
SEE REPAIR OF NEW YEAR LINES PLUS 20 OF THE RELAY BOARD

BA-34490



PUMP SWITCH SV-34240

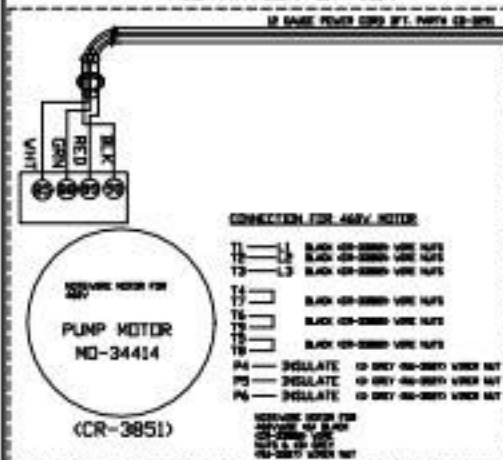
HE-LINET SWITCH



ON/OFF SWITCH SW-34254

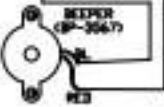
RESET SWITCH (SV-33495)

FILTRATION OPTION



CONNECTION FOR 46V MOTOR

- T1 BLACK 40-50000 VOLT 150
- T2 BLACK 40-50000 VOLT 150
- T3 BLACK 40-50000 VOLT 150
- T4 BLACK 40-50000 VOLT 150
- T5 BLACK 40-50000 VOLT 150
- T6 BLACK 40-50000 VOLT 150
- P4 ISOLATE 10 00Y 00-0000 VOLT 00
- P5 ISOLATE 10 00Y 00-0000 VOLT 00
- P6 ISOLATE 10 00Y 00-0000 VOLT 00

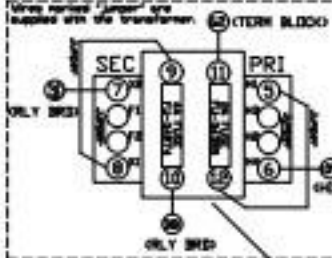


TERMINAL BLOCK NO-34250

MINI SWITCH SV-34246

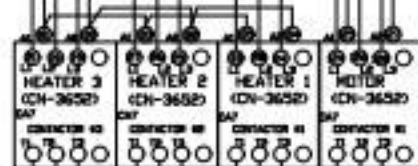
LI-3951

LIFT OPTION TRANSFORMER WIRING



240V/24V 30VA TRANSFORMER TN-34402

240V/24V 150VA TRANSFORMER TN-34272



FU-3773 FUSE HOLDER
FU-3860 FUSES

CO-34250

ORG

WHT

LDG

LDG

LDG

LDG

LDG

LDG

LDG

LDG

LDG

LDG

LDG

LDG

LDG

LDG

LDG

LDG

LDG

LDG

LDG

LDG

LDG

LDG

LDG

LDG

LDG

LDG

LDG

LDG

LDG

LDG

LDG

LDG

LDG

LDG

LDG

LDG

LDG

LDG

LDG

REV B WIRING TERM ON LIFT OPTION TRANSFORMER WIRE 30 to 38.

WIRE DIAGRAM

MODELS: ASF-75E BASIC 440-480V 3PH 60HZ.

AUTO-SHAAM
MEMORIEE FALLS, WISC. 53052-450

BY: MPB SCALE: 1"=1" DWG: D-77142

APP: DATE:

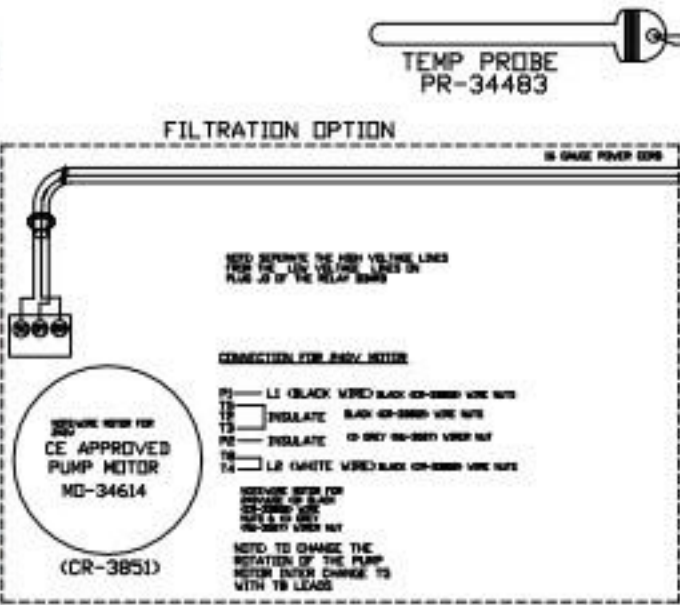
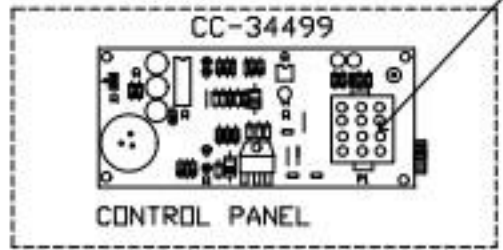
VOLTS	WATTS	AMPS
440V	23.9KW	30.7A
480V	27.85KW	33.4A
480V	26KW	31.3A

NOTE #1: ALL NUMBERS IN () = ALTO-SHAAM PART NUMBERS
NOTE #2: SEE DRW. 5008192 FOR WIRE ASSEMBLIES

NO.	1
REVISION	7/15/08
BY	JFK
APP'D	

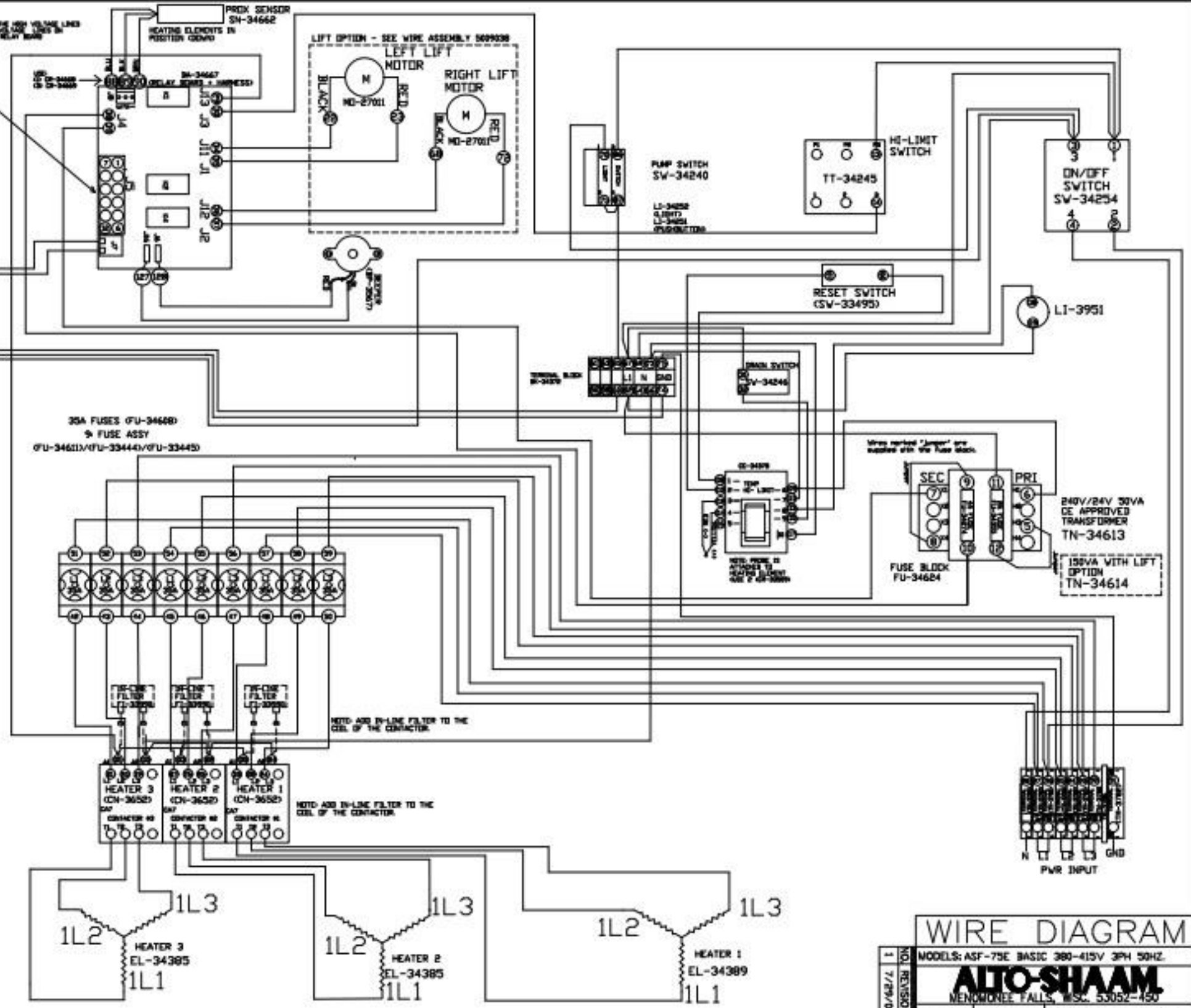
NOTE: CONNECT WIRE HARNESS P1 (CONTROL PANEL) TO J5 (RELAY BOARD)

NEED REMOVE THE HIGH VOLTAGE LINE FROM J5 OF THE RELAY BOARD



DESIGN	VOLTS	WATTS	AMPS
CE	380V	23.2KW	35.2A
	415V	27.5KW	38.2A
	380-415V	27.5KW	38.1A

NOTE #1: ALL NUMBERS IN () = ALTO-SHAAM PART NUMBERS
NOTE #2: SEE DRW. 5008186 FOR WIRE ASSEMBLIES

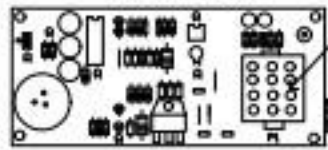


WIRE DIAGRAM

1	NO. REVISION	MODELS: ASF-75E BASIC 380-415V 3PH 50HZ.
7/29/08	BT	ALTO-SHAAM MEMORIE FALLS, WIS. 53052-150
JMC	APP'D	SCALE: 1"=1' DWG: D-77136
		DATE:

NOTE: CONNECT WIRE HARNESS P1 (CONTROL PANEL) TO J5 (RELAY BOARD)

CC-34499



CONTROL PANEL

TEMP PROBE PR-34483

FILTRATION OPTION

1/4 IN. BRASS POWER CONN.

CD-34380

NEED SEPARATE WIRE HARNESS FOR THE HIGH VOLTAGE LINES FROM THE RELAY BOARD

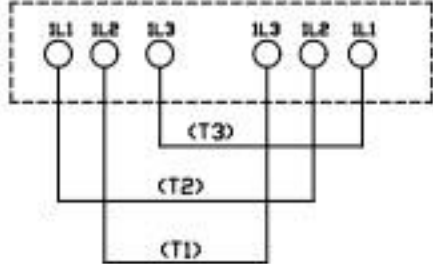
CONNECTION FOR PUMP MOTOR

- P1 LI BLACK WIRE BLACK 18-22AWG WIRE SIZE
- P2 DISULATE BLACK 18-22AWG WIRE SIZE
- P3 DISULATE 18-22AWG 20-22AWG WIRE SIZE
- P4 LI WHITE WIRE BLACK 18-22AWG WIRE SIZE

PUMP MOTOR MD-26835 (CR-3851)

NOTE: TO CHANGE THE ROTATION OF THE PUMP MOTOR INTER CHANGE T3 WITH T2 LEADS

BACK OF ELEMENTS



NOTE: HEATER ELEMENTS ARE CONNECTED IN DELTA CONFIGURATION USE THE DIAGRAM ABOVE TO CONNECT THE ELEMENTS TO THE HEATER CONTACTORS

HEATER	VOLTS	WATTS	AMPS
1	208V	24KW	66.6A
2	220V	27KW	70.8A
3	208-220V	26KW	68.2A

NOTE #1: ALL NUMBERS IN () = ALTO-SHAAM PART NUMBERS
NOTE #2: SEE DRW. 5007274 FOR WIRE ASSEMBLIES

LIFT OPTION - SEE WIRE ASSEMBLY 5009008

LEFT LIFT MOTOR

MD-27611

RIGHT LIFT MOTOR

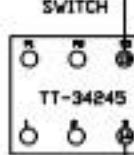
MD-27611

UNLOCK/LOCK

PUMP SWITCH SV-34240

LI-3450P (LIGHT) LI-3450P (VIBRATION)

HI-LIMIT SWITCH TT-34245



ON/OFF SWITCH SV-34254

LI-3951

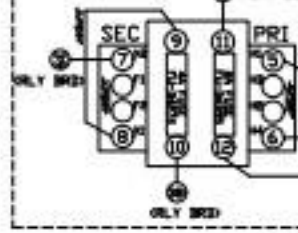
RESET SWITCH (SV-33495)



BRUSH SWITCH (SV-34246)

LIFT OPTION TRANSFORMER WIRING

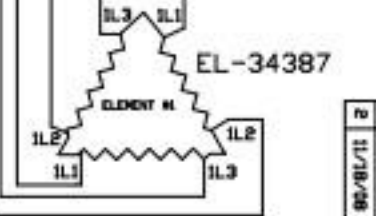
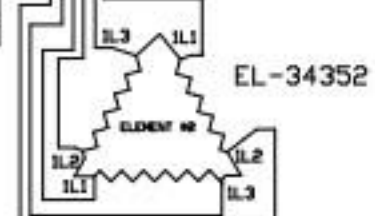
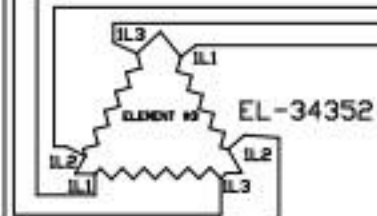
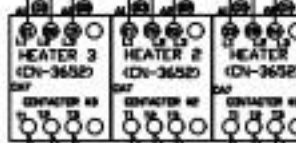
Wiring diagram for the lift option transformer showing SEC and PRI terminals and connections to GND and LI-3951.



240V/24V 150VA TRANSFORMER TN-34272

240V/24V 30VA TRANSFORMER TN-34402

FU-2773 FUSE HOLDER
FU-3868 FUSES



REV B WIRING TERM IN LIFT OPTION TRANSFORMER WIRE IS TO 28

WIRE DIAGRAM

MODELS: ASF-75E BASIC 208-220V 3PH 60HZ

ALTO-SHAAM
MENDOTA FALLS, WIS. 53052-450

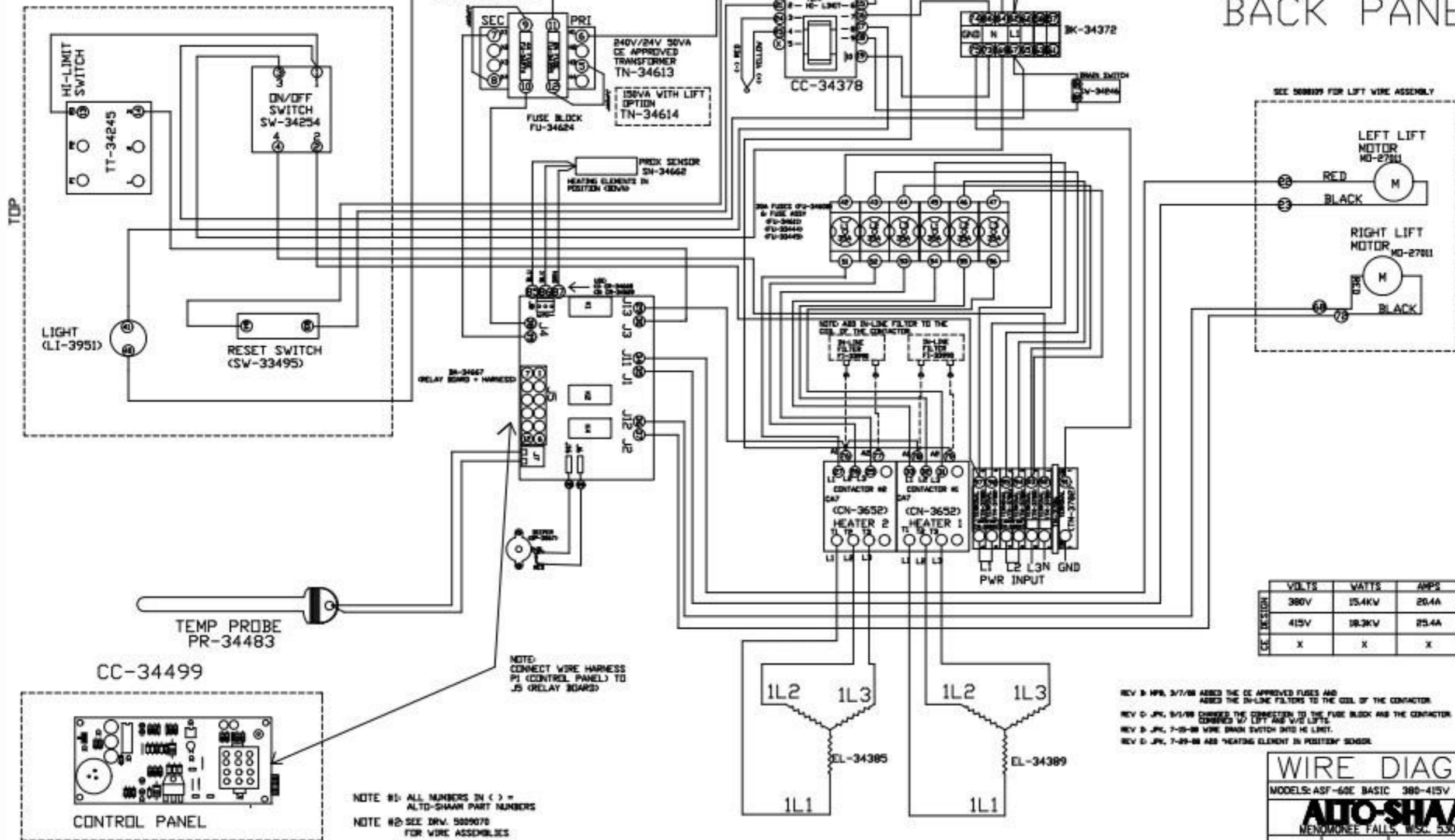
BY: MPB SCALE: 1"=1' DWG: 77030
APP'D: PED DATE: 8/6/08

NO.	REVISION	DATE
1	7/15/08	
2	11/18/08	

BOTTOM PANEL

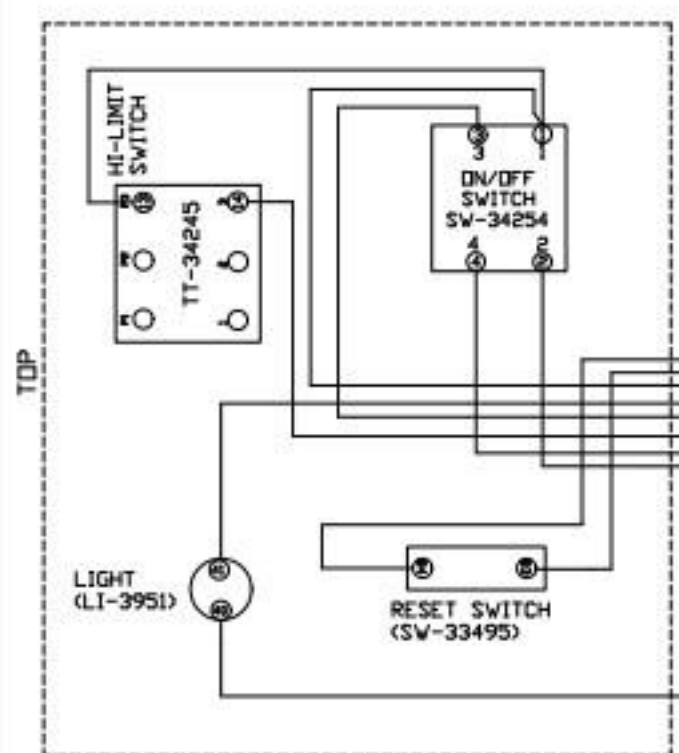
FRONT PANEL

BACK PANEL

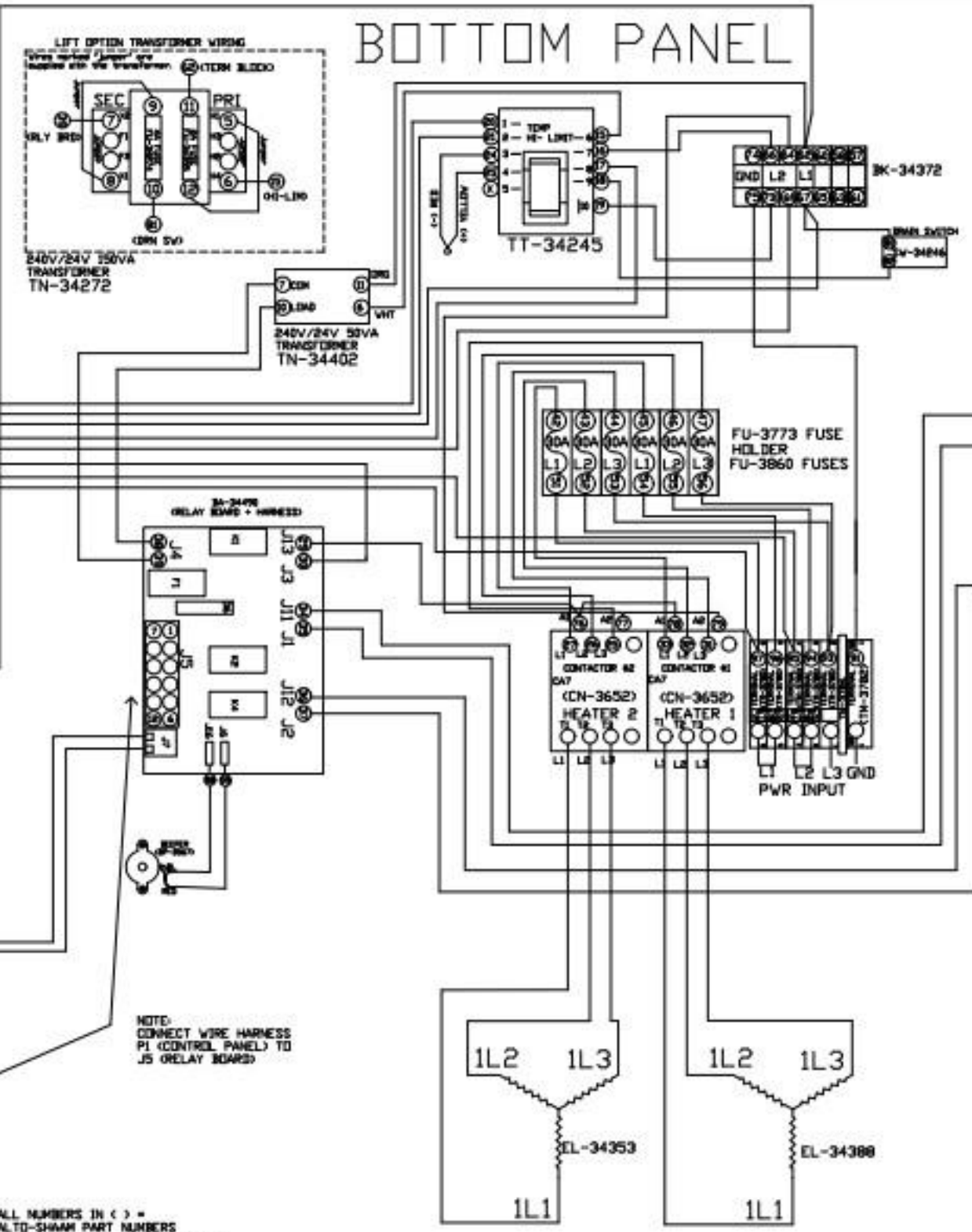


WIRE DIAGRAM
 MODELS: ASF-60E BASIC 380-415V 3PH 50HZ
ALTO-SHAAM
 MENOMONEE FALLS, WIS. 53052-450
 BY: MPB SCALE: 1"=1' DWG: D-77108
 APP'D: DATE: 4/17/07

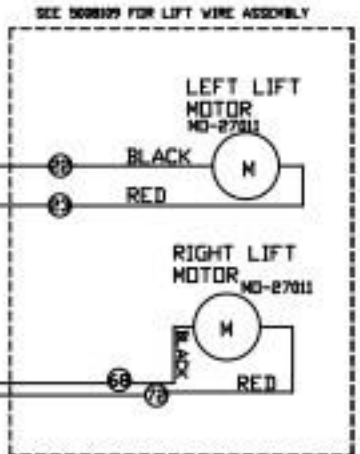
FRONT PANEL



BOTTOM PANEL



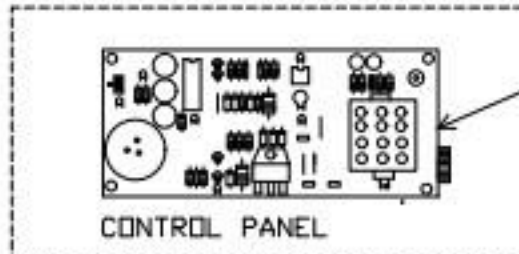
BACK PANEL



TOP

TEMP PROBE
PR-34483

CC-34499



CONTROL PANEL

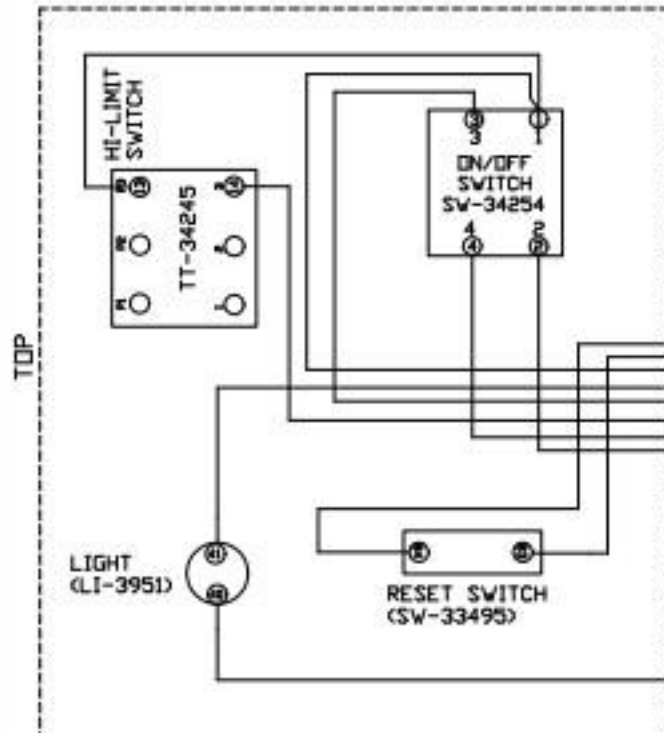
- NOTE #1: ALL NUMBERS IN () = ALTO-SHAAM PART NUMBERS
- NOTE #2: SEE 500XX2 FOR WIRE ASSEMBLY

UL DESIGN	VOLTS	WATTS	AMPS
	240V	17KW	41A
	240V	17.93KW	43A

WIRE DIAGRAM
 MODELS: ASF-68E BASIC 240V 3PH 50/60HZ.
ALTO-SHAAM
 MENOMONEE FALLS, WIS. 53052-450
 BY: MPB SCALE: 1"=1' DWG:
 APPR: DATE: 10/3/07 D-77104

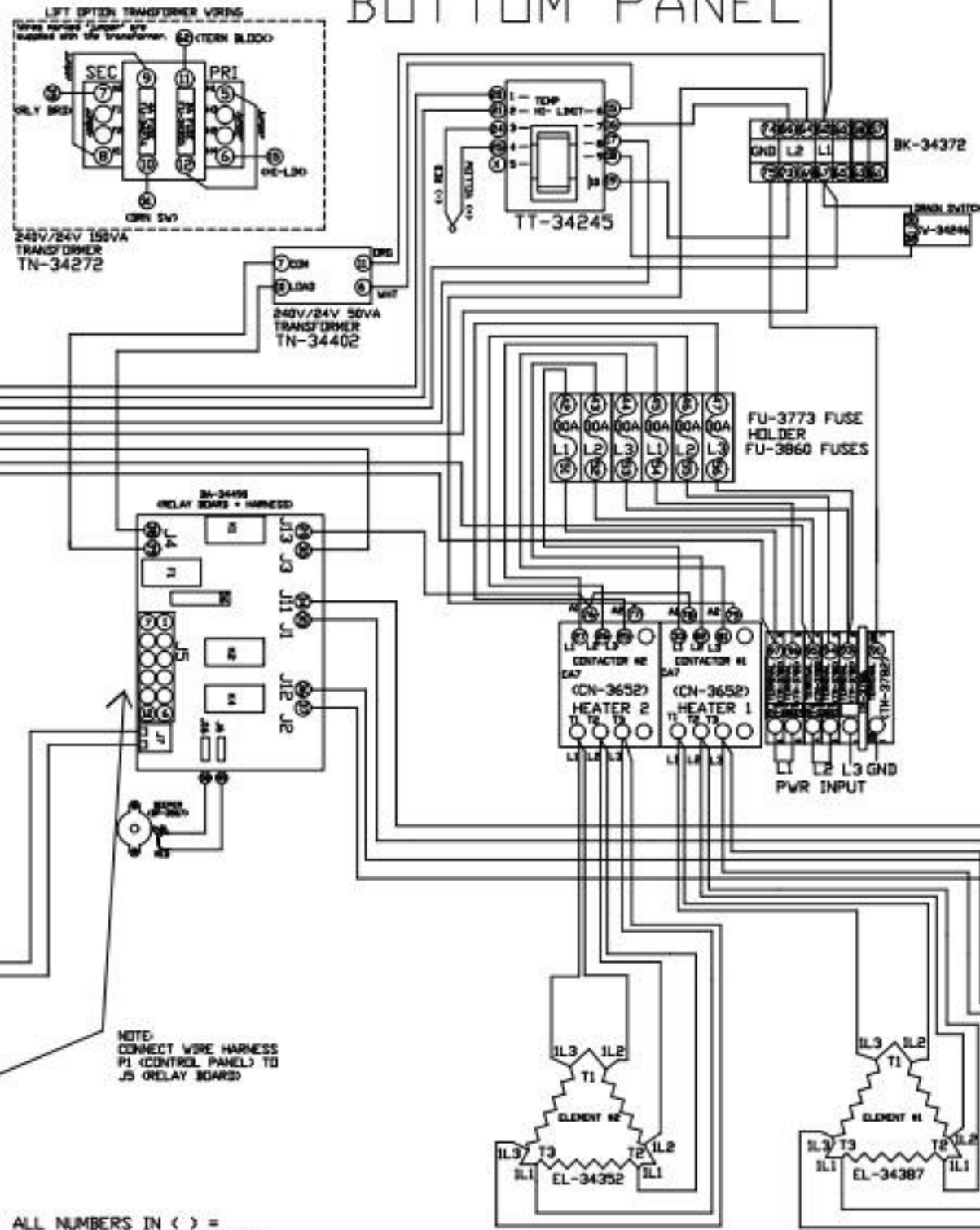
SEE 500XX2 FOR WIRE ASSEMBLY

FRONT PANEL

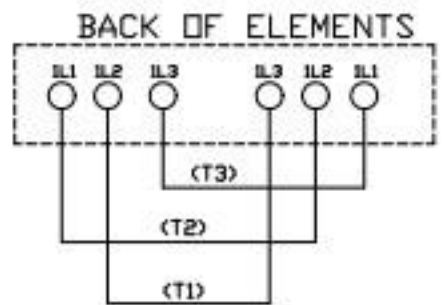
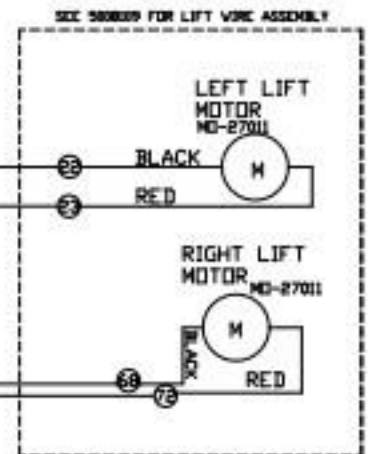


TOP

BOTTOM PANEL

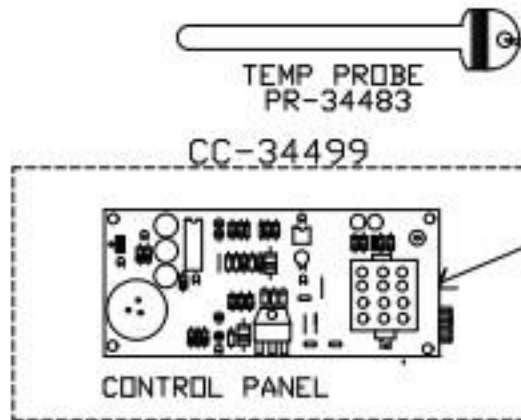


BACK PANEL



NOTE: HEATER ELEMENTS ARE CONNECTED IN DELTA CONFIGURATION. USE THE DIAGRAM ABOVE TO CONNECT THE ELEMENTS TO THE HEATER CONTACTORS.

	VOLTS	WATTS	AMPS
UL DESIGN	208V	16.2KW	45A
	220V	18.2KW	47.6A
	220V	17.93KW	47A



NOTE #1: ALL NUMBERS IN () = ALTD-SHAAM PART NUMBERS
 NOTE #2: SEE 5009068 FOR WIRE ASSEMBLY

REV 0 JPK 5/28/08 CORRECTED W/S LEFT & W/ LEFT INTO THE DRAWING
 REV 3 JPK 7-15-08 WIRE BRAIN SWITCH INTO HIGH LIMIT

WIRE DIAGRAM
 MODEL: ASF-60E BASSC 208-220V 3PH 50/60HZ
ALTO-SHAAM
 MEMPHIS FALLS, WISC. 53092-450
 BY: MPB SCALE: 1"=1' DWG: D-77100
 APP'D: DATE: 9/25/07