

SERVICE

TROUBLESHOOTING GUIDE

ERROR CODE	DESCRIPTION/RESULTS	POSSIBLE CAUSE SERVICE REQUIRED
E-10 E-11	Air Sensor Fault (shorted) Air Sensor Fault (open) <i>Inoperative Oven</i>	Air sensor defective? AIR SENSOR TEST Test air sensor by placing sensor in ice water bath. Use an ohm meter set on the ohm scale. The reading should be 100 ohms resistance. The sensor must be replaced if the reading is more than 2 ohms higher or lower.
E-30	Under Temperature <i>Oven will shut down</i>	Door gasket need replacement? Preheating procedure skipped? Oven overloaded or frozen product used? Defective air sensor or probe?
E-31	Over Temperature <i>Oven will shut down</i>	Defective air sensor? AIR SENSOR TEST Test air sensor by placing sensor in ice water bath. Use an ohm meter set on the ohm scale. The reading should be 100 ohms resistance. The sensor must be replaced if the reading is more than 2 ohms higher or lower.
E-60	Real Time Clock Error <i>Inoperative Oven</i>	Control must be replaced.
E-70	Configuration Connector Error <i>Inoperative Oven</i>	Check control connections for loose wires. If none, control must be replaced.
E-78 E-79	Voltage Low Voltage High <i>Inoperative Oven</i>	If 208-240 VAC voltage is below 190 VAC. Correct. If 208-240 VAC, voltage is over 250 VAC. Correct.
E-80 E-82 E-84 E-86	EEPROM - Function Data Error EEPROM - Calibration Data Error EEPROM - Unit ID Error EEPROM - Preset Data Error <i>Inoperative Oven</i>	Replace control.



DANGER

LOCK-OUT OR POST BREAKER
PANEL UNTIL SERVICE WORK
HAS BEEN COMPLETED.

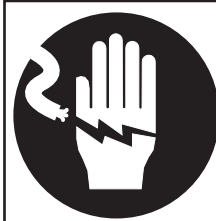


DANGER

DISCONNECT UNIT FROM
POWER SOURCE BEFORE
CLEANING OR SERVICING.

CAUTION

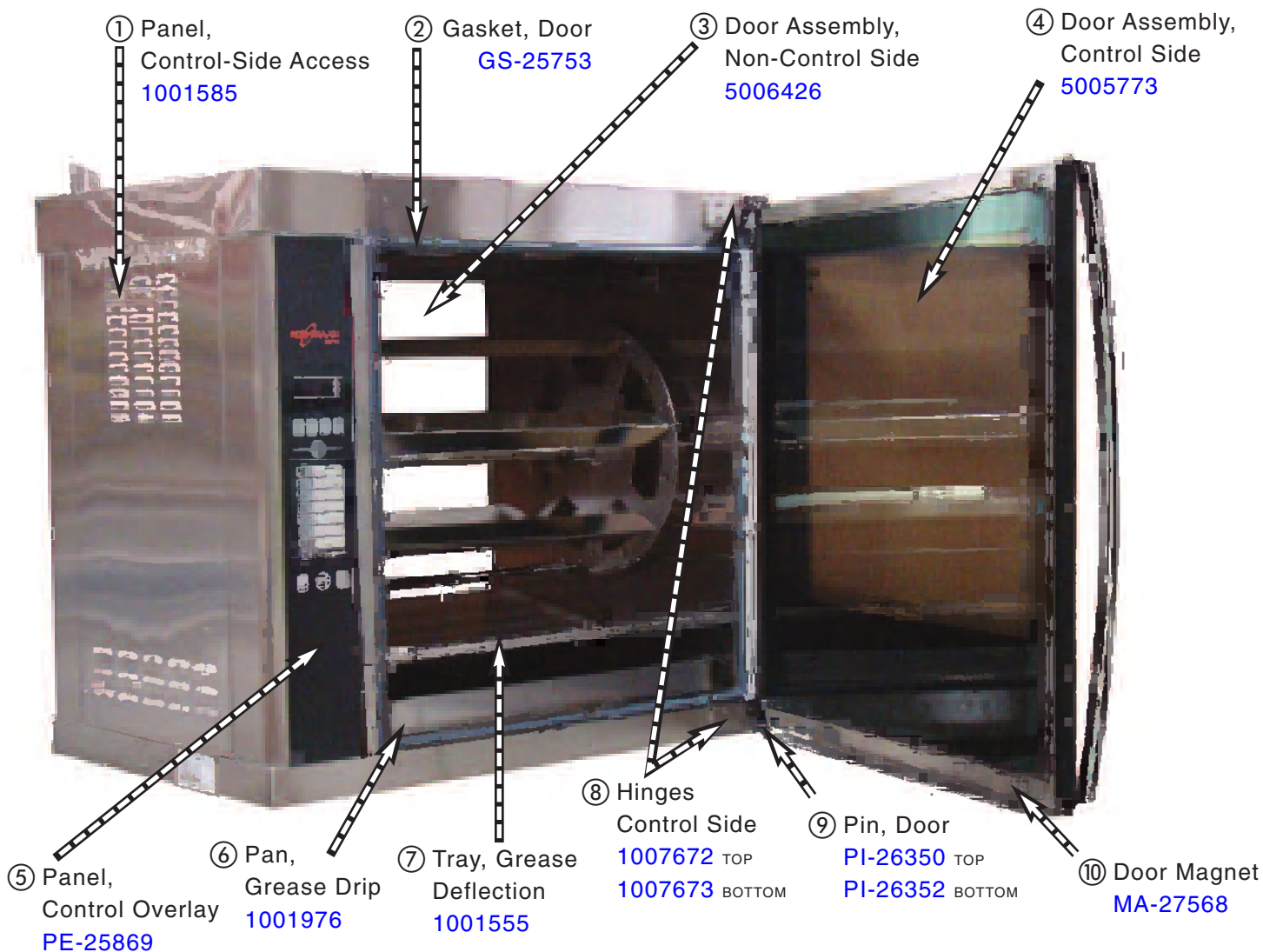
THIS SECTION IS PROVIDED FOR THE
ASSISTANCE OF QUALIFIED SERVICE
TECHNICIANS ONLY AND IS NOT
INTENDED FOR USE BY UNTRAINED OR
UNAUTHORIZED SERVICE PERSONNEL.



DANGER

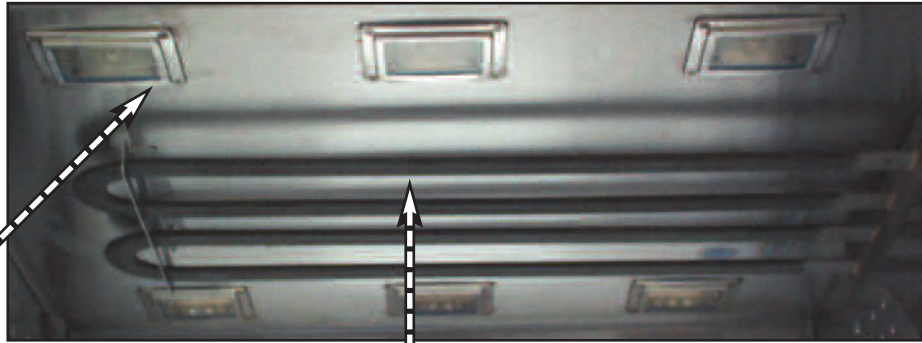
ELECTRICAL CONNECTIONS MUST
BE MADE BY A QUALIFIED SERVICE
TECHNICIAN IN ACCORDANCE WITH
APPLICABLE ELECTRICAL CODES.

FULL ASSEMBLY SERVICE VIEW



SERVICE

INTERIOR SERVICE VIEW



⑪ Lamp Assembly
LP-34185

⑫ Radiant Heater
208V - EL-33974
240V - EL-33973

BULB REPLACEMENT INSTRUCTIONS



A

To Replace Bulbs:

- A Remove four screws holding glass light cover and gasket in place, taking care to not let the glass cover fall into the oven.
- B Pull bulb out
- C Push replacement bulb (LP-34213) in place
- D Re-install glass cover and gasket, securing with four screws removed in step one.



B & C

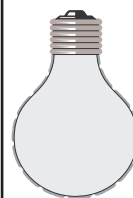


D



CAUTION

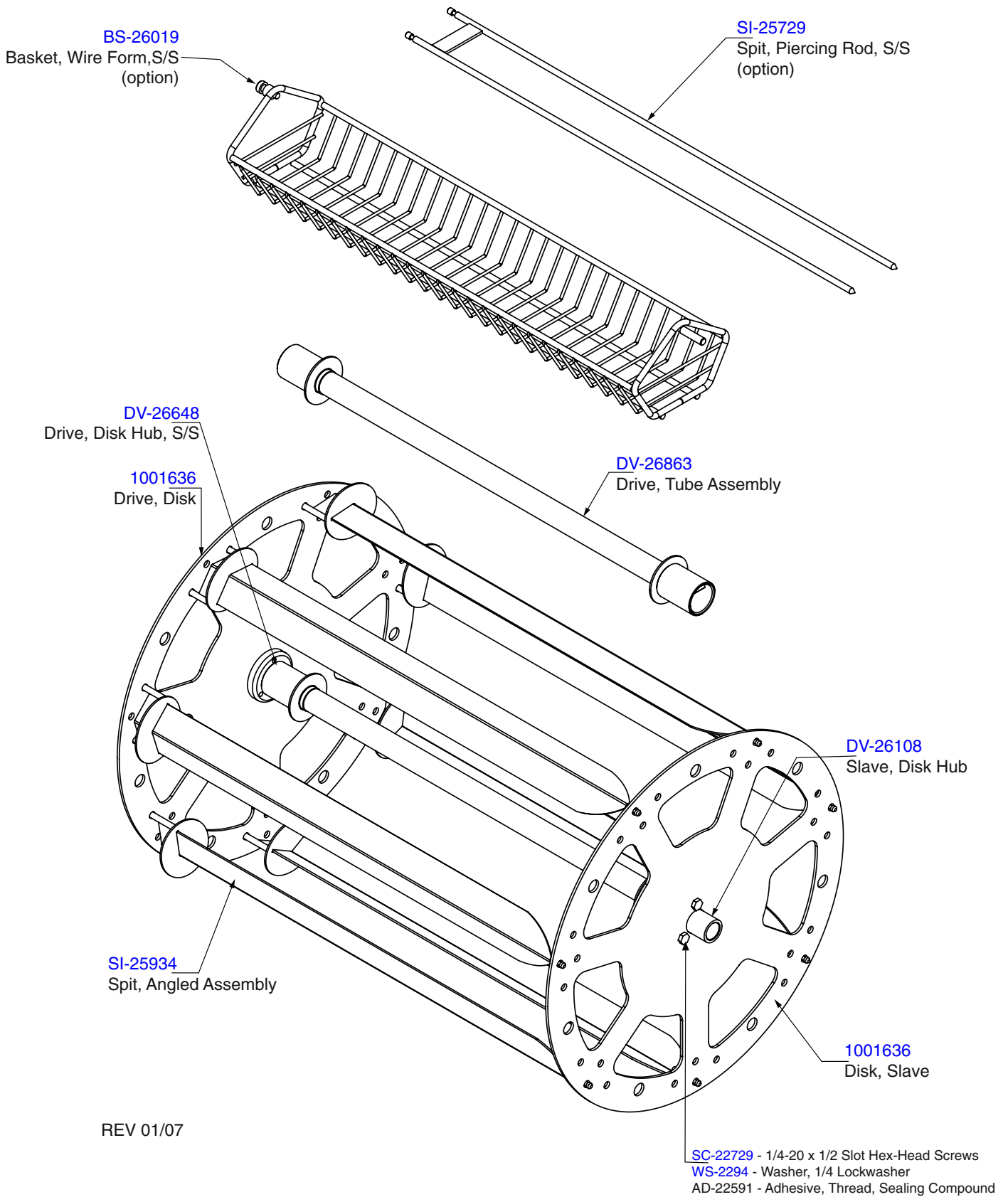
DO NOT HANDLE NEW BULB WITH BARE HANDS. WHITE COTTON GLOVES SHOULD BE WORN WHEN REPLACING BULBS.



CAUTION

The performance of this unit has been optimized using the factory provided bulbs. These bulbs should be replaced with an exact replacement or with a factory recommended replacement. These bulbs have been treated to resist breakage and must be replaced with similarly treated bulbs in order to maintain compliance with NSF standards. **DO NOT** over-tighten bulbs in their receptacles as this can cause damage to the bulb filament.

SERVICE VIEW 1



SERVICE

SERVICE VIEW 2: SINGLE PANE FLAT GLASS DOOR

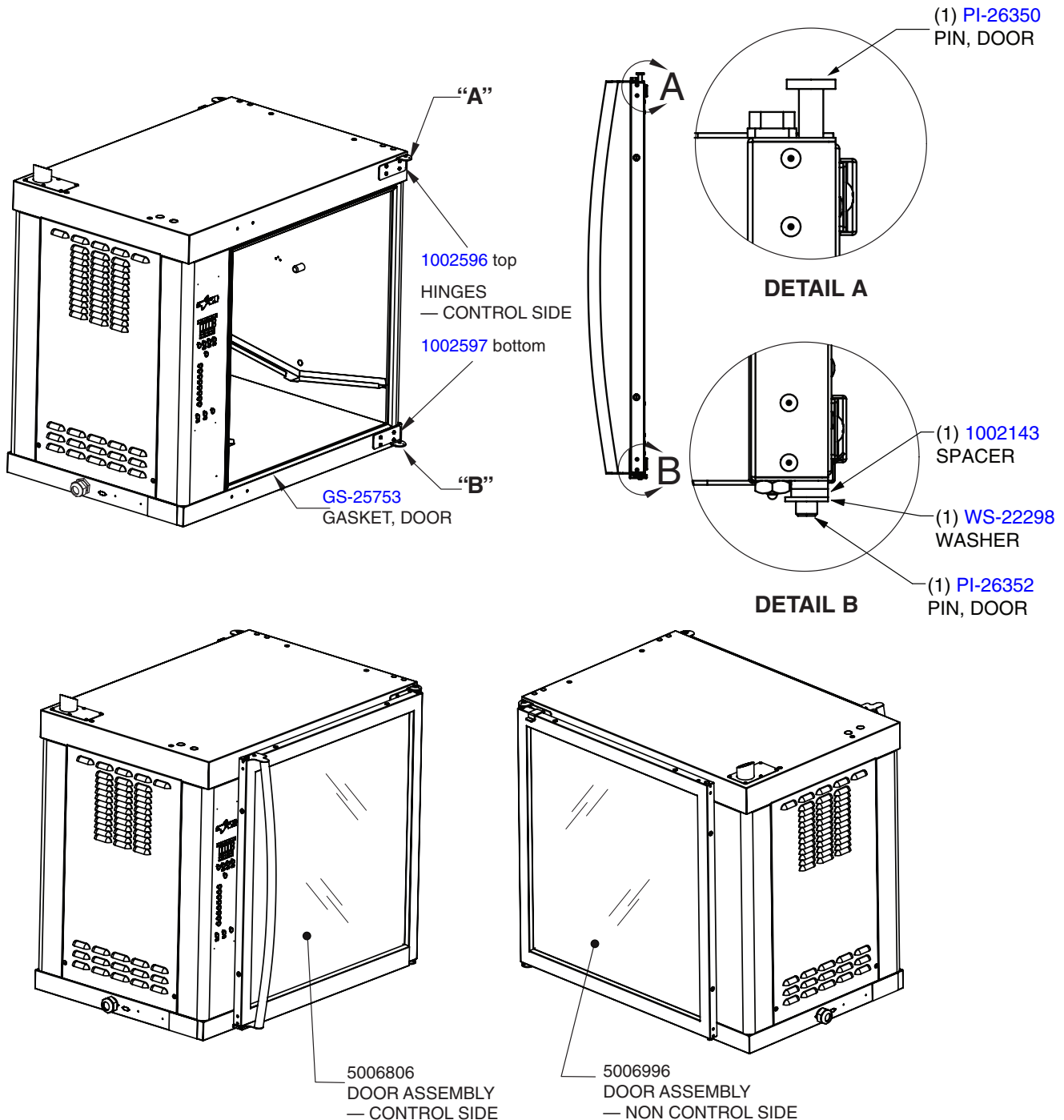


WARNING

DO NOT ATTEMPT TO REMOVE THE DOOR WITHOUT ASSISTANCE. THE DOOR IS EXTREMELY HEAVY, WILL BE DAMAGED IF DROPPED, AND MAY CAUSE SERIOUS INJURY.

DOOR REPLACEMENT:

- STEP 1: REMOVE TOP PIN (PI-26350) FROM BRACKET "A" USING A SMALL SCREWDRIVER.
- STEP 2: ASSEMBLE DOOR ON UNIT WITH SPACERS AS SHOWN.
- STEP 3: MAKE CERTAIN DOOR IS ALIGNED AND REINSERT TOP PIN.



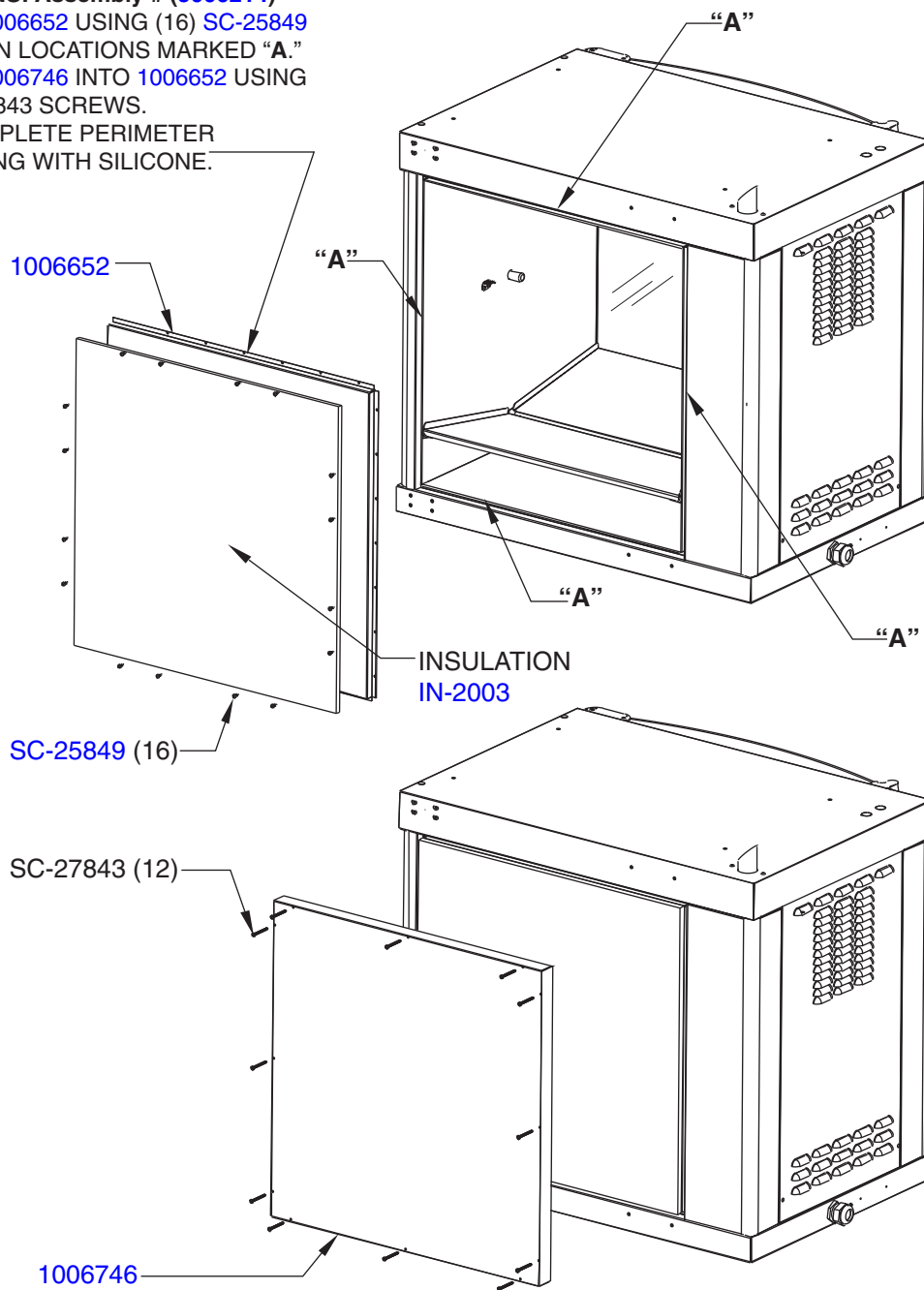
SERVICE VIEW 3: STAINLESS STEEL BACK PANEL

NOTE:

TO INSTALL A SOLID STAINLESS STEEL BACK PANEL, REMOVE GASKET AND ALL SCREWS ON INSTALLATION SIDE.

INSTRUCTIONS: Assembly # (5006214)

1. INSTALL 1006652 USING (16) SC-25849 SCREWS IN LOCATIONS MARKED "A."
2. INSTALL 1006746 INTO 1006652 USING (12) SC-27843 SCREWS.
3. SEAL COMPLETE PERIMETER OF OPENING WITH SILICONE.



SERVICE

SERVICE VIEW 4: DOUBLE PANE CURVED GLASS DOOR



WARNING

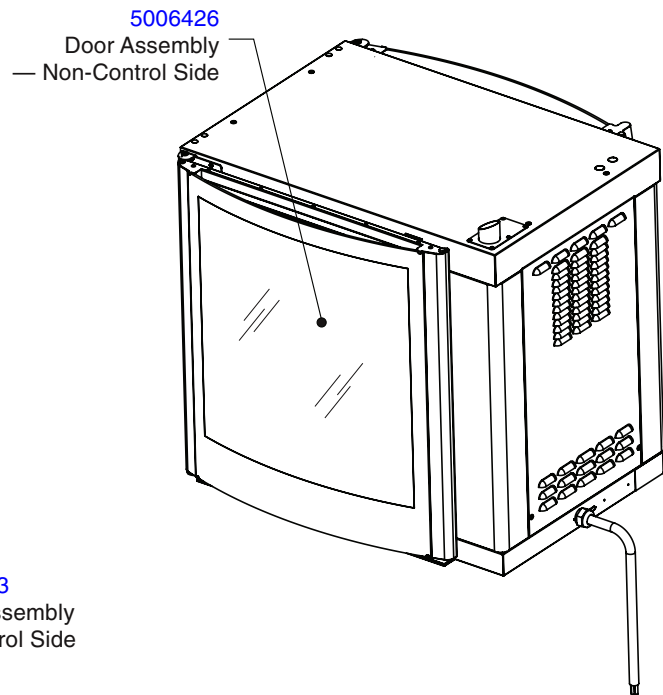
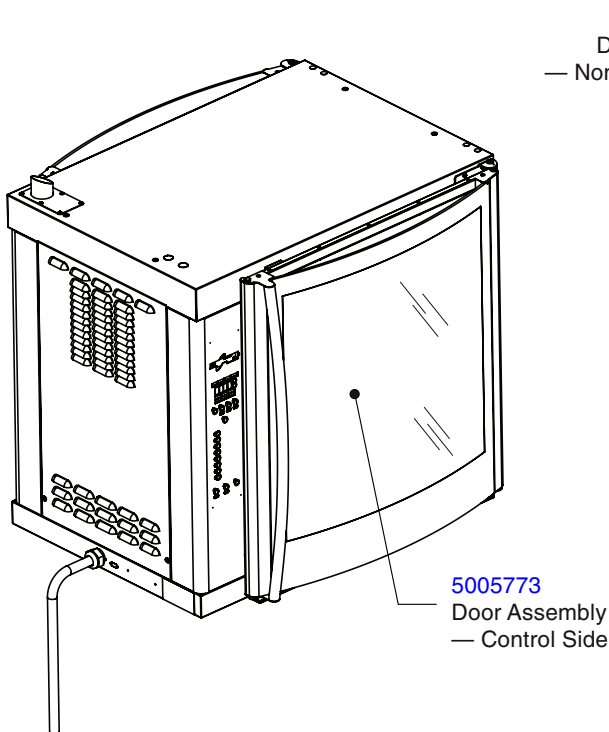
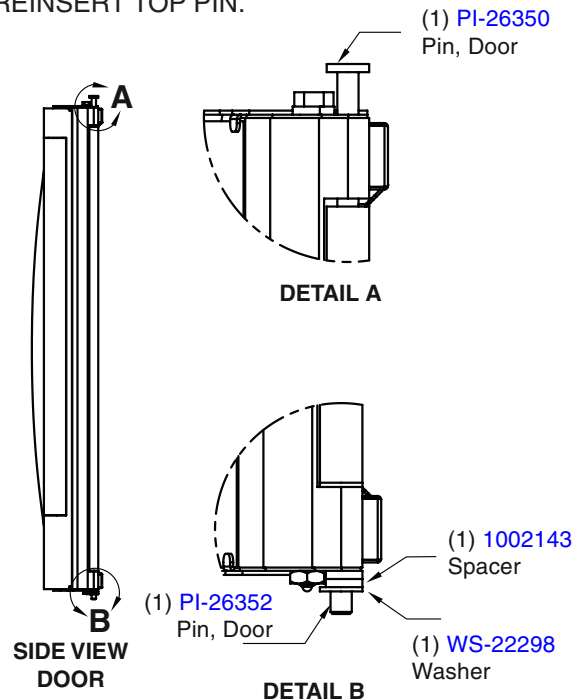
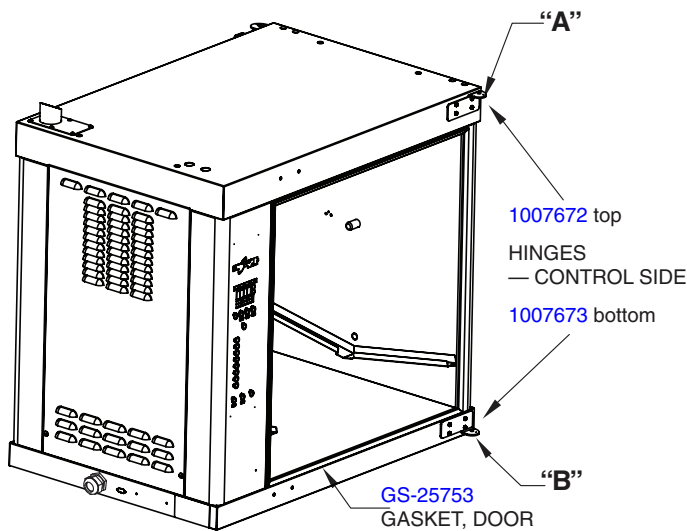
DO NOT ATTEMPT TO REMOVE THE DOOR WITHOUT ASSISTANCE. THE DOOR IS EXTREMELY HEAVY, WILL BE DAMAGED IF DROPPED, AND MAY CAUSE SERIOUS INJURY.

DOOR REPLACEMENT:

STEP 1: REMOVE TOP PIN (PI-26350) FROM BRACKET "A" USING A SMALL SCREWDRIVER.

STEP 2: ASSEMBLE DOOR ON UNIT WITH SPACERS AS SHOWN.

STEP 3: MAKE CERTAIN DOOR IS ALIGNED AND REINSERT TOP PIN.



SERVICE VIEW 4A: DOUBLE PANE CURVED GLASS DOOR

GL-25721
(OUTER GLASS)

GL-25722
(INNER GLASS)

HINGE SIDE

FASTNERS REQUIRED

- (1) 1002143 WASHER, DOOR SPACER, BOTTOM
- (1) WS-22298 WASHER, FLAT, M8
- (3) SC-2900 SCREW, 5/16-18 x 5/8
- (1) PI-26350 PIN, DOOR, TOP
- (1) PI-26352 PIN, DOOR, BOTTOM
- (1) NU-25897 NUT, HEX JAM 5/16-18
- (1) SC-25781 SCREW, INSERT
- (6) SC-22378 SCREW, 8-32 x 3/8

5006426 — DOOR ASSEMBLY,
NON-CONTROL SIDE

GL-25721
(OUTER GLASS)

GL-25722
(INNER GLASS)

FASTNERS REQUIRED

- (1) 1002143 WASHER, DOOR SPACER, BOTTOM
- (1) WS-22298 WASHER, FLAT, M8
- (3) SC-2900 SCREW, 5/16-18 x 5/8
- (1) PI-26350 PIN, DOOR, TOP
- (1) PI-26352 PIN, DOOR, BOTTOM
- (1) NU-25897 NUT, HEX JAM 5/16-18
- (1) SC-25781 SCREW, INSERT
- (6) SC-22378 SCREW, 8-32 x 3/8

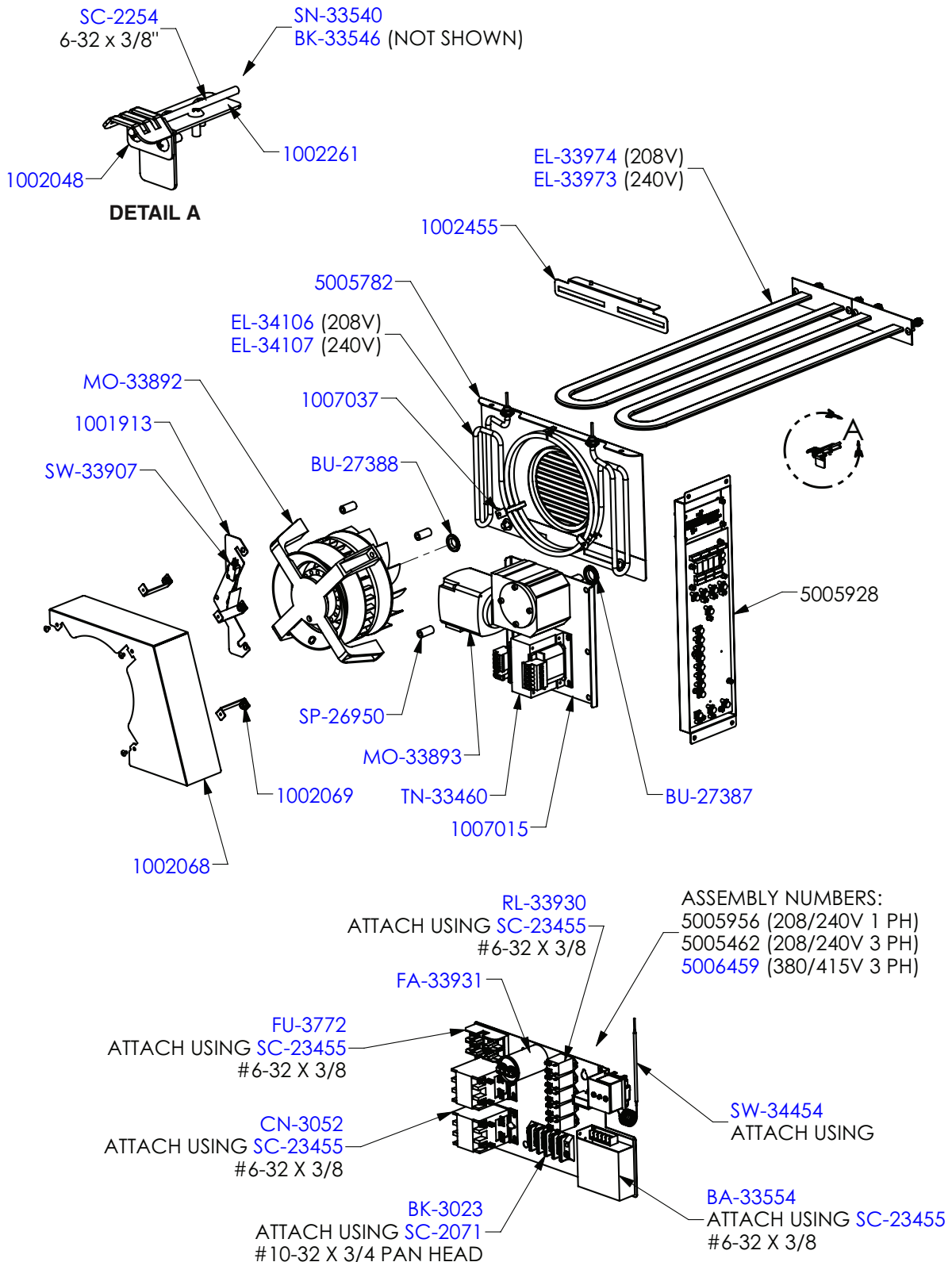
HINGE SIDE

5005773 — DOOR ASSEMBLY,
CONTROL SIDE

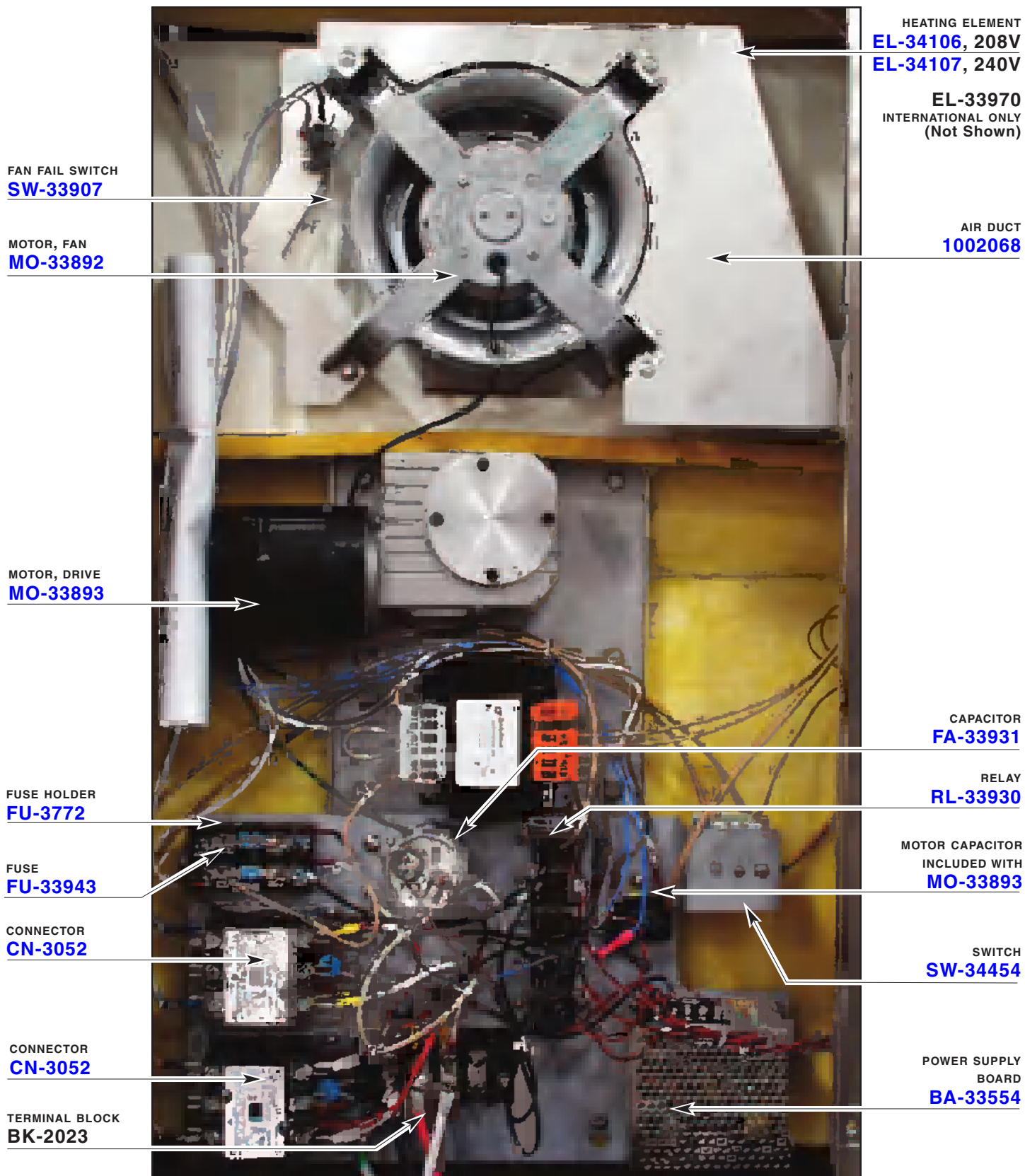
REV 05/07

SERVICE

SERVICE VIEW 5: ELECTRICAL



SERVICE VIEW 5A: ELECTRICAL



SERVICE PARTS LIST

PART DESCRIPTION	PART NO.	PART DESCRIPTION	PART NO.
FULL ASSEMBLY SERVICE VIEW		SERVICE VIEW 2 AND 3:	
① PANEL, CONTROL SIDE ACCESS	1001585	DOOR ASSEMBLY, CONTROL SIDE, FLAT	5006806
② GASKET, DOOR	GS-25753	DOOR ASSEMBLY, NON-CONTROL SIDE, FLAT	5006996
③ DOOR ASSEMBLY, NON-CONTROL SIDE, CURVED	5006426	DOOR HINGES (NON-CONTROL HINGES NOT SHOWN) CONTROL SIDE, TOP; NON-CONTROL, BOTTOM	1002596
④ DOOR ASSEMBLY, CONTROL SIDE, CURVED	5005773	CONTROL SIDE, BOTTOM; NON-CONTROL, TOP	1002597
⑤ PANEL, CONTROL OVERLAY	PE-25869	DOOR PIN, 5/16" x 3" DOWEL, TOP	PI-26350
⑥ PAN, GREASE W/ DRAIN	1001976	DOOR PIN, 5/16" x 3" DOWEL, BOTTOM	PI-26352
⑦ TRAY, GREASE DEFLECTION	1001555	GASKET, DOOR	GS-25753
⑧ DOOR HINGES (NON-CONTROL HINGES NOT SHOWN) CONTROL SIDE, TOP; NON-CONTROL, BOTTOM	1007672	INSULATION, FIBERGLASS, 1/2" x 24" x 48"	IN-2003
CONTROL SIDE, BOTTOM; NON-CONTROL, TOP	1007673	PANEL, INTERIOR STAINLESS STEEL BACK	1006652
⑨ PIN, DOOR, TOP	PI-26350	PANEL, EXTERIOR STAINLESS STEEL BACK	1006746
PIN, DOOR, BOTTOM	PI-26352	SCREW, HEX CAP, 5/16-18 x 1"	SC-2191
⑩ DOOR MAGNET	MA-27568	SCREW, INSERT WITH SPRING LOADED BALL	SC-25781
⑪ LAMP ASSEMBLY, 12VAC, 20W W/ HALOGEN BULB REPLACEMENT BULBS	LP-34185 LP-34213	SCREW, NC PHIL TRUSS, 8-32 x 3/8"	SC-22378
⑫ RADIANT HEATERS	SEE SERVICE VIEW 5	WASHER, DOOR SPACER, TOP / BOTTOM	1002143
SERVICE VIEW 1:		WASHER, FLAT [*CT, M8]	WS-22298
ADHESIVE, THREAD, SEALING COMPOUND	AD-22591	SERVICE VIEW 4 AND 4A:	
BASKET, STAINLESS STEEL WIRE (OPTION)	BS-26019	DOOR ASSEMBLY, CONTROL SIDE	5005773
DRIVE, DISK & DISK SLAVE	1001636	DOOR ASSEMBLY, NON-CONTROL SIDE	5006426
DRIVE, DISK HUB, STAINLESS STEEL	DV-26648	DOOR HINGES (NON-CONTROL HINGES NOT SHOWN) CONTROL SIDE, TOP; NON-CONTROL, BOTTOM	1007672
DRIVE SLAVE, DISK HUB, STAINLESS STEEL	DV-26108	CONTROL SIDE, BOTTOM; NON-CONTROL, TOP	1007673
DRIVE SLAVE BRACKET WITH BEARING (NOT SHOWN)	5000967	DOOR PIN, TOP	PI-26350
DRIVE, TUBE ASSEMBLY	DV-26863	DOOR PIN, BOTTOM	PI-26352
SCREW, HEX HEAD SLOT 1/4-20 x 1/2	SC-22729	GASKET, DOOR	GS-25753
SPIT, ANGLED	SI-25934	GLASS, OUTER	GL-25721
SPIT, PIERCING (OPTION)	SI-25729	GLASS, INNER	GL-25722
WASHER, 1/4" LOCKWASHER	WS-2294	NUT, HEX JAM, 5/16-18	NU-25897
		SCREW, HEX CAP, 5/16-18 x 1"	SC-2900
		SCREW, INSERT WITH SPRING LOADED BALL	SC-25781
		SCREW, NC PHIL TRUSS, 8-32 x 3/8"	SC-22378
		WASHER, DOOR SPACER, TOP / BOTTOM	1002143
		WASHER, FLAT [*CT, M8]	WS-22298

SERVICE

PART DESCRIPTION	PART NO.	PART DESCRIPTION	PART NO.
SERVICE VIEW 5 AND 5A:		SERVICE VIEW 5 AND 5A (continued):	
AIR DUCT	1002068	RELAY, POWER	RL-33930
AIR DUCT MOUNTING BRACKET	1002069	SCREW, NC PHIL TRUSS, 8-32-32-3/8	SC-22378
BEARING BRACKET ASSEMBLY	5000967	SCREW, #6-32 x 3/8	SC-23455
BLOWER COVER	5005782	SCREW, #6-32 x 1-1/4	SC-2365
BOARD, POWER SUPPLY, 12V DC, SWITCH	BA-33554	SENSOR, AMBIENT TEMPERATURE	SN-33540
CONTROL ASSEMBLY, ELECTRIC	5005928	SENSOR CLIP	1002261
CONTACTOR, 208/240V, 3 POLE 25 AMP (2)	CN-3052	SENSOR GUARD	1002048
ELECTRICAL COMPONENT ASSEMBLY		SWITCH, FAN FAIL	SW-33907
208/240V, 1PH	5005956	SWITCH BRACKET, FAN FAIL	1001913
208/240V, 3PH	5005462	SWITCH	SW-34454
380/415V, 3PH	5006459	TERMINAL BLOCK	BK-3023
ELEMENT, AIR HEAT, 208V, 5000W	EL-34106	TERMINAL BLOCK, PORCELAIN (NOT SHOWN)	BK-33546
ELEMENT, AIR HEAT, 240V, 5500W	EL-34107	TRANSFORMER	TN-33460
ELEMENT BRACKET, AIR HEAT	1007037	ELECTRICAL:	
ELEMENT BRACKET, AIR HEAT	1003595	CONTROL BEEPER	BP-3567
FAN, BLOWER MOTOR CAPACITOR, 4 UF	FA-33931	CONNECTOR	CR-33763
FUSE	FA-33943	CONNECTOR	CR-33761
FUSEHOLDER, 15A, CLASS G	FU-3772	CONNECTOR	CR-33762
HEATER, CE (INTERNATIONAL ONLY)	EL-33970	CONNECTOR	CR-33717
HEATER, RADIANT, 208V	EL-33974	CONNECTOR	CR-33719
HEATER, RADIANT, 240V	EL-33973	RESISTOR, MOV, SURGE PROTECTOR	RS-3578
HEATER BAR BRACKET	1002455	SWITCH, DOOR	SW-33906
MOTOR BLOWER SEAL, TEFLON®	BU-27388		
MOTOR BRACKET	1007015		
MOTOR, CONVECTION FAN, 220-240V	MO-33892		
MOTOR DRIVE, 230V, AC	MO-33893		
MOTOR DRIVE SEAL, TEFLON®	BU-27387		

VENTLESS HOOD OPTION

UNPACKING & SET-UP

The Alto-Shaam Ventless Hood has been thoroughly tested and inspected to ensure only the highest quality unit is provided. When you receive your hood, check for any possible shipping damage and report it at once to the delivering carrier.

Save all the information and instructions packed inside the carton. Complete and return the warranty card to the factory as soon as possible to assure prompt service in the event of a warranty parts and labor claim.

NOTE: All claims for warranty must include the full model number and serial number of the hood.

ELECTRICAL CONNECTION

1. An identification tag is permanently mounted on the back of the ventless hood.
2. The interconnect cord from the ventless hood to the rotisserie oven provides full power connection.

HOOD OPERATION

The Ventless Hood is factory installed directly on the top of the Alto-Shaam® Rotisserie oven. The hood is designed to vent clean air back into the kitchen, filtering vapors and grease. A high-power fan draws fumes and steam into the hood intake and out the top surface exhaust vent. Fumes and vapors are circulated through filters draining the

condensation through a drain into the rotisserie drip pan. An activated charcoal filter cleans the air before venting it out the top of the hood.

Turn the ventless hood ON before operating the rotisserie oven. There are a number of safety features incorporated into the operation of the hood which are directly related to the interaction of hood function and the operation of the rotisserie oven.

VENTLESS HOOD INTERLOCK SWITCHES

- CHARCOAL FILTER SWITCH
GREASE FILTER SWITCH
Prevents both hood and oven operation if any filter is not in place or is improperly installed.
- FAN PRESSURE SWITCH: Prevents rotisserie oven operation if hood fan is not operating or if the filters are more than 25% blocked.

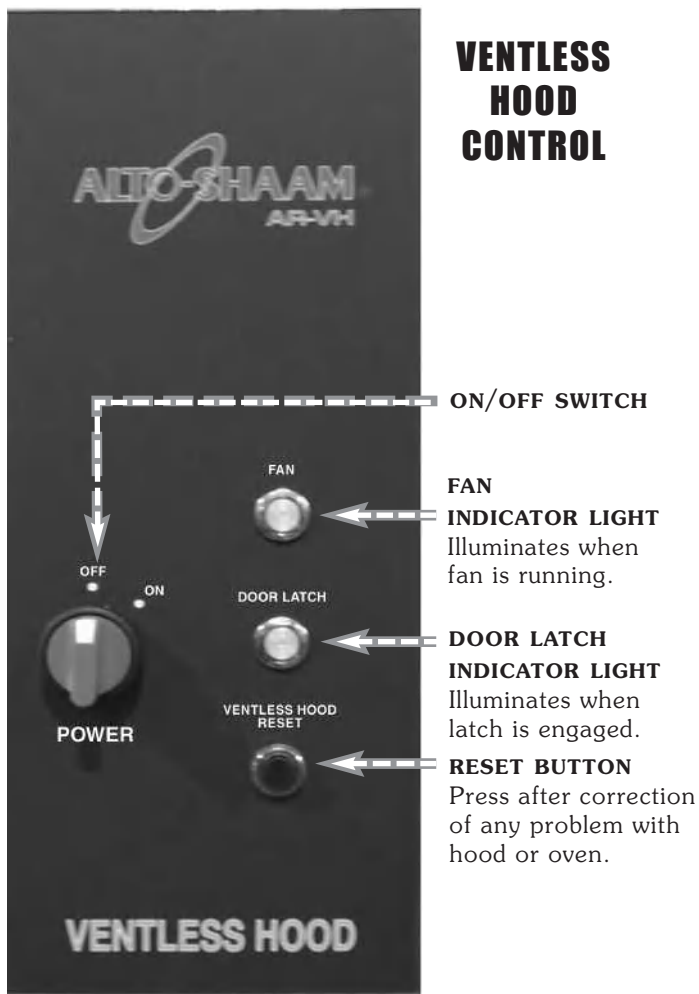
TIMED LATCHING MECHANISM

- In order to evacuate grease-laden air and steam from the oven interior, this mechanism briefly prevents the operator from fully opening the rotisserie oven door. The mechanism automatically disengages at the end of a pre-set time allowing full door extension. **(NOT AVAILABLE ON 230VAC HOODS)**

RESET SWITCH

- The Reset has to be used if the rotisserie oven is turned on before the hood or if the hood was opened. It resets the pressure switch circuit and provides power to the rotisserie control circuit. This switch must also be used to reset hood controls after any problem with the filters, or the improper latching of the ventless hood door. See illustrations on following pages of this manual.

VENTLESS HOOD CONTROL



VENTLESS HOOD OPTION

HOOD CLEANING & MAINTENANCE

To ensure optimum performance from the ventless hood, it is important to establish and maintain a regular cleaning and maintenance schedule. Use of the cleaning and maintenance reminder form located in this manual is highly recommended.



Access to the internal components, safety switches, filters, etc., are gained by turning the single fastener on the exterior top of the hood and opening the door. A metal grease filter and charcoal filter are located immediately inside the hood access door.

To help maintain the protective film coating on polished stainless steel, clean the exterior of the cabinet with a cleaner recommended for stainless steel surfaces. Spray the cleaning agent on a clean cloth and wipe with the grain of the stainless steel.

NOTE: Never use hydrochloric acid (muriatic acid) on stainless steel.



! DANGER

AT NO TIME SHOULD THE INTERIOR OR EXTERIOR BE STEAM CLEANED, HOSED DOWN, OR FLOODED WITH WATER OR LIQUID SOLUTION OF ANY KIND. DO NOT USE WATER JET TO CLEAN.

SEVERE DAMAGE OR ELECTRICAL HAZARD COULD RESULT.

WARRANTY BECOMES VOID IF APPLIANCE IS FLOODED.



! DANGER

DISCONNECT UNIT FROM POWER SOURCE BEFORE CLEANING OR SERVICING.

CHARCOAL FILTER

The charcoal (odor and pollution control filter) is located immediately inside the hood access door. The charcoal filter should be inspected for contaminants on a regular basis. Replacement must be made at a minimum of three-month intervals — more often if heavy contaminants are visible or if the filter no longer controls odors. To remove the filter, grasp on both ends and pull out from either side of the hood.

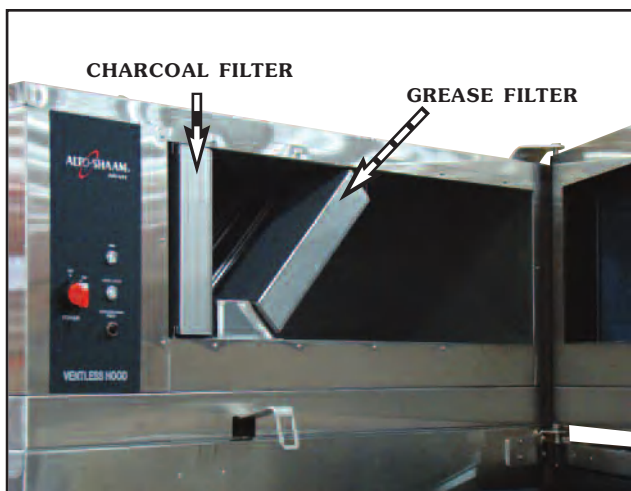
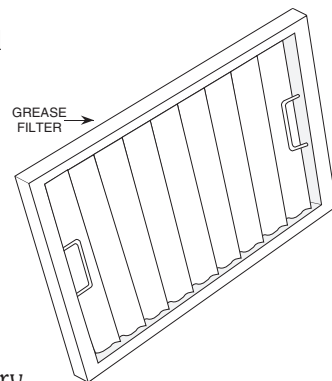
WHEN REPLACING THE FILTER, MAKE CERTAIN THE AIR FLOW ARROW POINTS LEFT ← TOWARD THE HOOD FAN. MAKE CERTAIN THE FILTER IS REPLACED IN THE FOUR-SIDED METAL FRAME PROVIDED WITH THE HOOD.

GREASE FILTERS & METAL HOUSING (PLENUM)

The metal grease filter is located immediately inside the hood. Cleaning frequency should be based on oven usage. Grease-laden products such as red meat, poultry, etc., require cleaning frequency of at least once a week.

Remove the grease filter by pulling it straight out of the housing from either side. Place the filter in the dishwasher or wash separately by placing in hot, soapy water until all grease and particles have been removed. Rinse thoroughly. Allow the filter to air dry before reinstalling.

Clean the interior metal housing (plenum) with a damp cloth and any good commercial detergent or grease solvent at the recommended strength. Avoid the use of abrasive cleaning compounds, chloride-based cleaners, or cleaners containing quaternary salts. Use a degreasing agent if necessary.

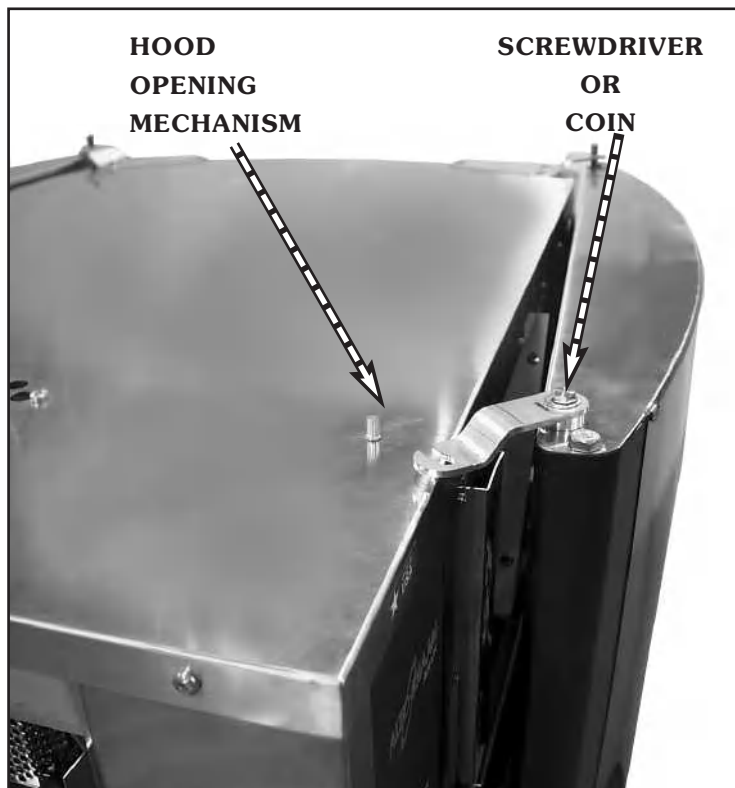


CAUTION

THE EDGES INSIDE THE HOOD HOUSING CAN BE SHARP. USE CAUTION WHEN REMOVING OR REPLACING FILTERS.

VENTLESS HOOD OPTION

SERVICE



Use a screwdriver or a coin and turn the hood opening mechanism counter-clockwise to open, clockwise to close and lock in place.

ATTENTION

**HOOD AND ROTISSERIE
WILL NOT OPERATE
UNLESS FILTERS ARE IN PLACE.**

Replacement filters are available from Alto-Shaam or can be found through a local source.

—CHARCOAL FILTERS

SIZE: 8-1/2" x 20" x 2"
(216mm x 508mm x 51mm)

—GREASE FILTERS

SIZE: 10" x 20" x 2-1/4"
(354mm x 508mm x 57,2mm)

SERVICE PARTS LIST

DESCRIPTION	PART NUMBER
REPLACEMENT FILTERS	
Grease	FI-25867
Charcoal	FI-25866
Charcoal Filter Frame	1002118/1002117
Grease Filter Frame	1002120/1002119
Fan Motor	FA-3716
Fan Capacitor	FA-33440
Fuse	FU-3775
Fuseholder	FU-3772
Door Hinge Pin	PI-25844
Hood Control/Timer	BA-33909
Power Supply	BA-33828
Relay, 240V	RL-33831
Relay, Power	RL-33493
Solenoid	SE-33615
Switch, Power	SW-33101
Switch, Pressure	SW-33538
Switch, Reset	SW-33495
Switch, Safety, Filters	SW-33148