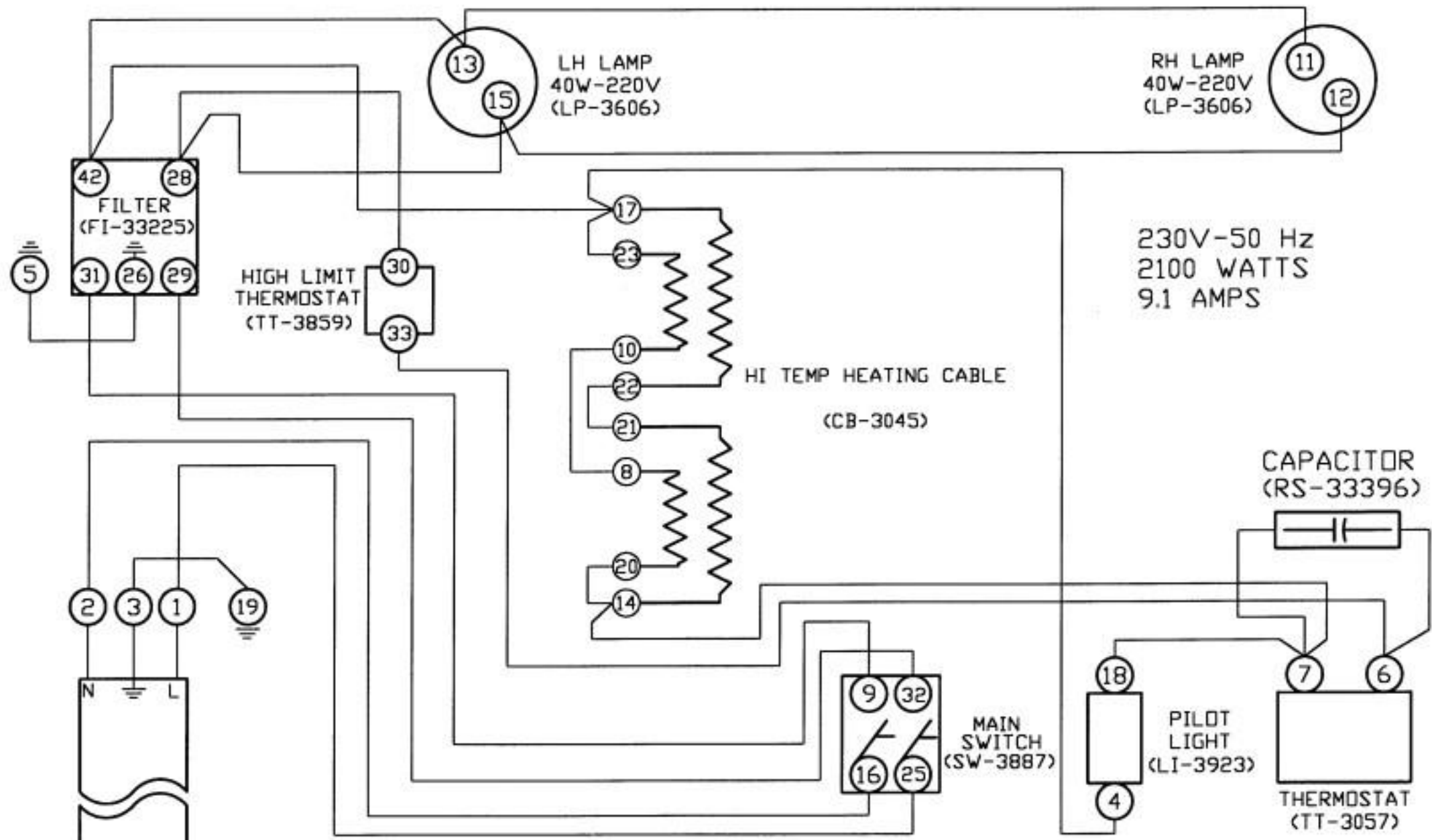


120V-60Hz  
 2300 WATTS  
 19.2 AMPS

NOTE #1: ALL NUMBERS IN ( ) = ALTO-SHAAM PART NUMBERS  
 NOTE #2: SEE DRW. #B-8609 FOR WIRE ASSEMBLIES

REVISIONS			750-GDU,GDU/PT		(125V-60Hz)	
NO.	DATE	BY				
1	09-04-96	RS	WIRING DIAGRAM ALTO-SHAAM INC. MENOMONEE FALLS, WISCONSIN			
2	03-12-97	RS				
3	07-16-97	RS				
4	09/09/02	DF	DRAWN BY ALD	SCALE 1"=1"	DWG. NO.	
5			APP'D ALD	DATE 4-23-92	A-7335	



CORDSET  
(CD-3922)

REVISIONS			750-GDU,GDU/PT		(230V-50Hz)	
NO.	DATE	BY	WIRING DIAGRAM			
1	04/28/89	ALD	ALTO-SHAAM INC. MENOMONEE FALLS, WISCONSIN			
2	07/18/90	ALD				
3	01/27/92	ALD	DRAWN BY AHL    SCALE 1"=1"    DWG. NO.			
4	07/16/97	RS				
5			APP'D AHL	DATE 8/22/88	A-7310	