

Round Wells

700-RW
1100-RW



Manufacturer's Information

Copyright © Copyright 12/23 by Alto-Shaam, Inc.
 All rights reserved.
 This manual or any portion thereof may not be reproduced or used in any manner whatsoever without the express written permission of Alto-Shaam, Inc

Trademarks All trademarks referenced in this documentation are the property of their respective owners.

Manufacturer Alto-Shaam, Inc.
 P.O. Box 450
 W164 N9221 Water Street
 Menomonee Falls, WI 53052

Models Covered

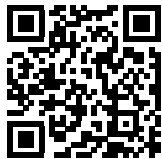
700-RW 1100-RW	Electric Round Wells
-------------------	----------------------

Serial Number

The unit serial number is required for identifying and ordering the correct service parts.
 Record the unit serial number below for reference.

Serial Number

Parts Finder Tool Interactive diagrams from this Parts Manual are available online at our Parts Finder Tool:
<https://www.alto-shaam.com/en/customer-support/parts>.
 Or, scan the QR code below.



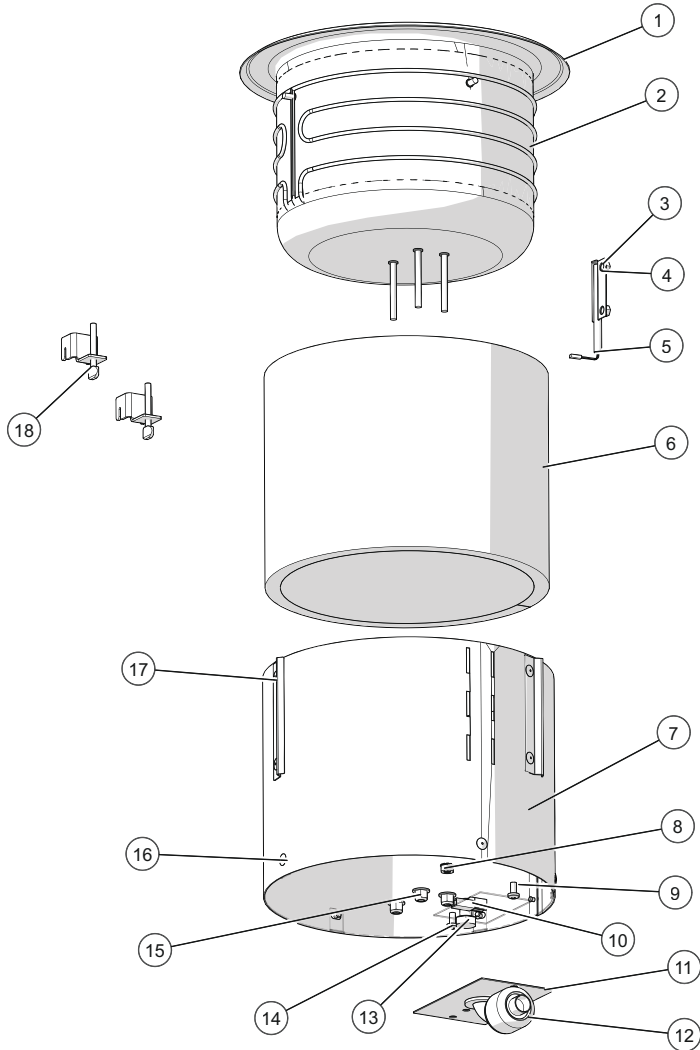
Parts Ordering Information Original manufacturer's replacement parts may be ordered directly from the Alto-Shaam network of Authorized Service Agents and Parts Distributors. Follow this link for a map to a local partner: <https://www.alto-shaam.com/en/how-to-buy>. If you are an Authorized Service Agent or Parts Distributor, please submit your purchase order to parts@alto-shaam.com.

Non-OEM parts may be substituted; however, these parts must be of equal quality and specifications as those provided by Alto-Shaam.

Table of Contents

- Manufacturer's Information.....2
- Table of Contents3
- 700-RW Round Well Kettle Assembly4
- 1100-RW Round Well Kettle Assembly5
- Control Pod, 120V NEMA 5-15P6
- Control Pod, 120V NEMA 5-15 Straight Cord7
- Control Pod, 120V NEMA 5-15P, Large Bezel8
- Control Pod, 208V-240V NEMA 6-15P.....9
- Control Pod, 208V-240V NEMA 6-15P, Large Bezel 10
- Control Pod, 230V CEE 7/7 11
- Control Pod, 230V CH2-16P 12
- Control Pod, 230V BS1363 13

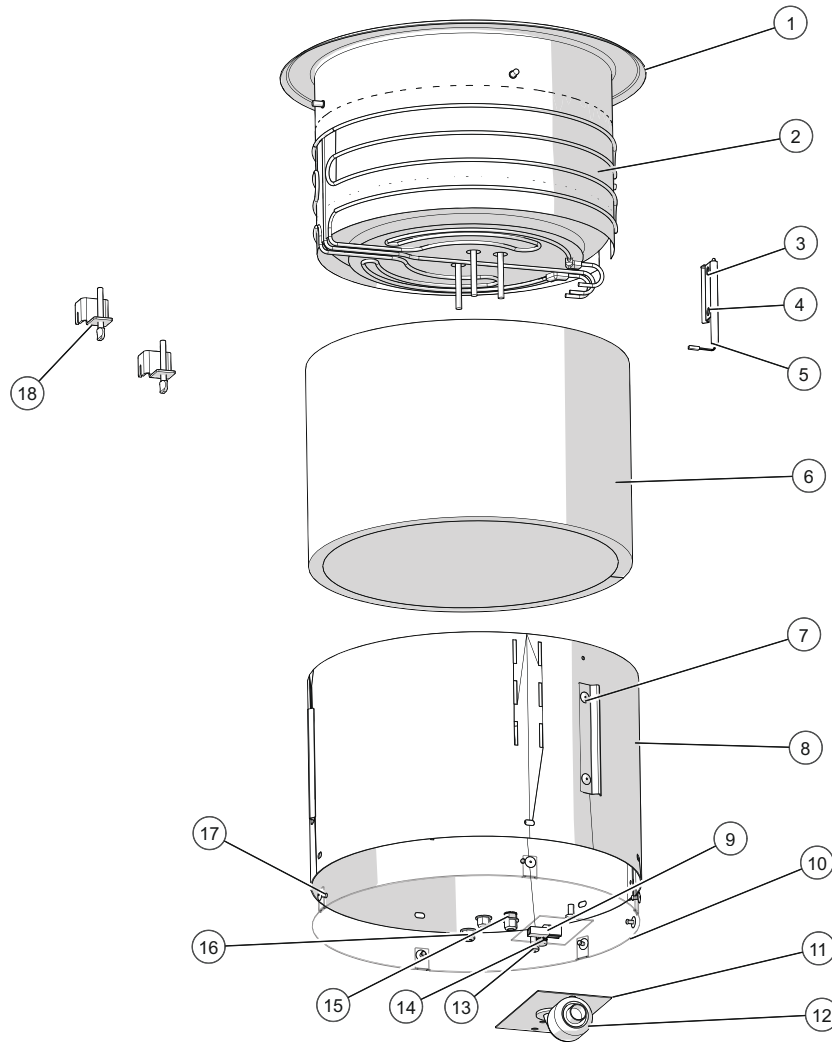
700-RW Round Well Kettle Assembly



ID	Part No.	Description	Qty
1	5016027	KETTLE ASSEMBLY, 7QT	1
2	EL-35799	ELEMENT,FOIL PAD HEATER,7QT	1
3	NU-27851	NUT-HEX 5MM WITH STAR WASHER	3
4	1014305	RTD CLIP	1
5	PR-34494	PROBE, ELAN CONTROL CC-34488	1
6	IN-22364	INSULATION, FIBERGLASS	2
7	1014437	SHEATH, OUTER, 7QT	1
8	NU-35844	NUT, KEPS, M6X1.0, SS	1
9	1014438	SHEATH, BOTTOM, 7 QT	1
10	CR-34500	CONNECTOR, TEMP PROBE, HOUSING	1
11	1014242	WIRE COVER, SOUP WELL	1
12	CR-33179	CONNECTOR FLEX NYLON SWEEP	1
13	SC-23737	SCREW, M5x0.8x10MM HEX	1
14	SC-22766	SCREW,M5x0.8X10MM PAN	2
15	NU-35842	NUT, FLG, M6X1.0, LOCK, NYL INS	3
16	RI-2094	RIVET,BLIND,#43,LRG FLG,STNLS,	14
17	1014696	STANDOFF BRACKET	3
18	5016693	RW MOUNTING KIT	1
19	TA-3621	TAPE, ELECTRICAL, INSULATING, 2" (not shown)	1

5016027_3_700-RW Kettle 7QT

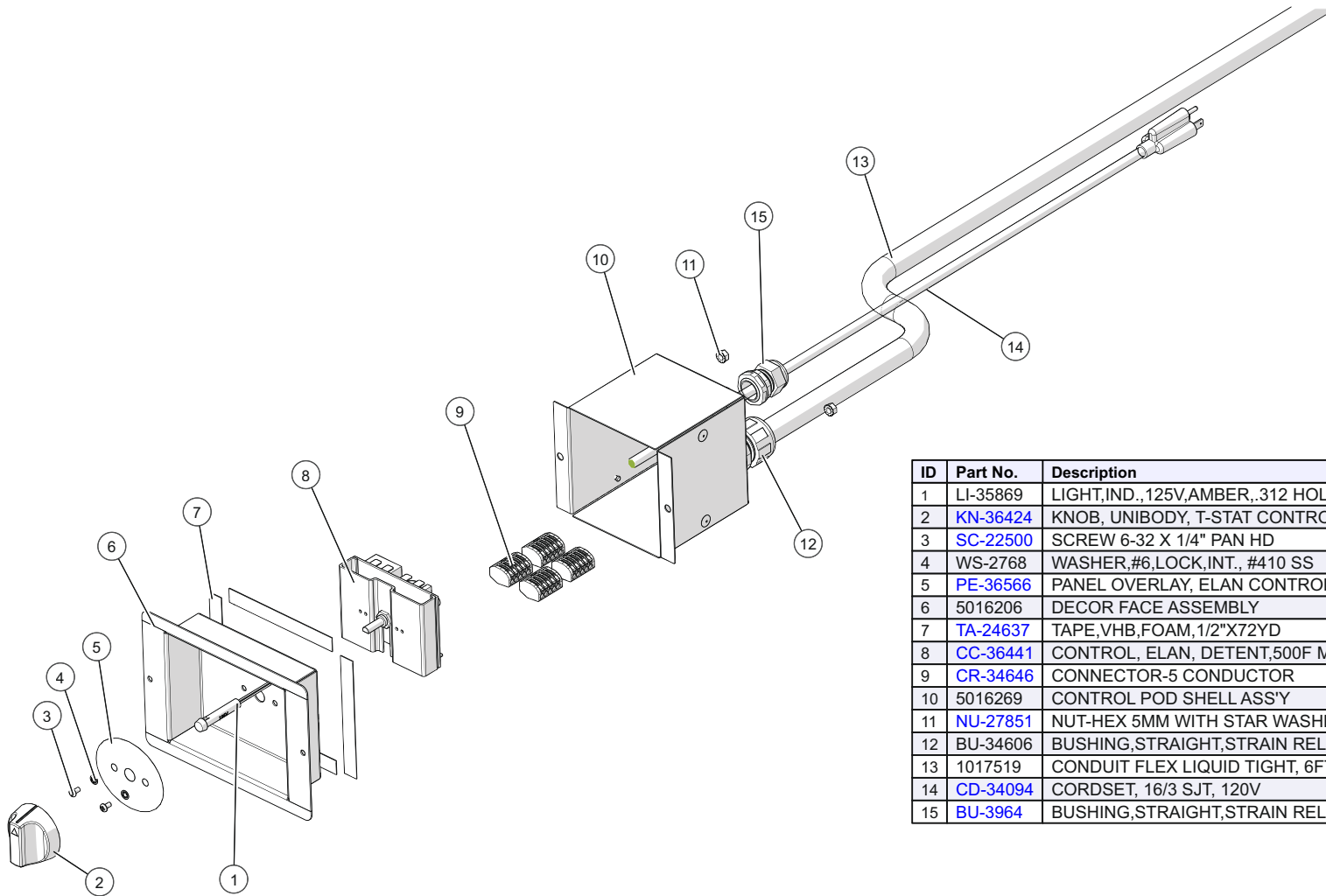
1100-RW Round Well Kettle Assembly



ID	Part No.	Description	Qty
1	5016026	KETTLE ASSEMBLY, 11QT	1
2	EL-35798	ELEMENT,FOIL PAD HEATER,11QT	1
3	1014305	RTD CLIP	1
4	NU-27851	NUT-HEX 5MM WITH STAR WASHER	3
5	PR-34494	PROBE, ELAN CONTROL CC-34488	1
6	IN-22364	INSULATION,TRS-30,FIBERGLASS	2
7	1014696	STANDOFF BRACKET	3
8	1014206	SHEATH, OUTER, 11QT	1
9	CR-34500	CONNECTOR, TEMP PROBE, HOUSING	1
10	1014207	SHEATH, BOTTOM, 11QT	1
11	1014242	WIRE COVER, SOUP WELL 11QT	1
12	CR-33179	CONNECTOR FLEX NYLON SWEEP	1
13	SC-22766	SCREW,M5x0.8X10MM PAN	2
14	SC-23737	SCREW, M5x0.8x10MM HEX	1
15	NU-35844	NUT, KEPS, M6X1.0, SS	1
16	NU-35842	NUT, FLG, M6X1.0, LOCK, NYL INS	3
17	RI-2094	RIVET,BLIND,#43,LRG FLG,STNLS,	14
18	5016693	RW MOUNTING KIT	1
19	TA-3621	TAPE, ELECTRICAL, INSULATING, 2" (not shown)	1

5016026_4_1100-RW KETTLE 11QT

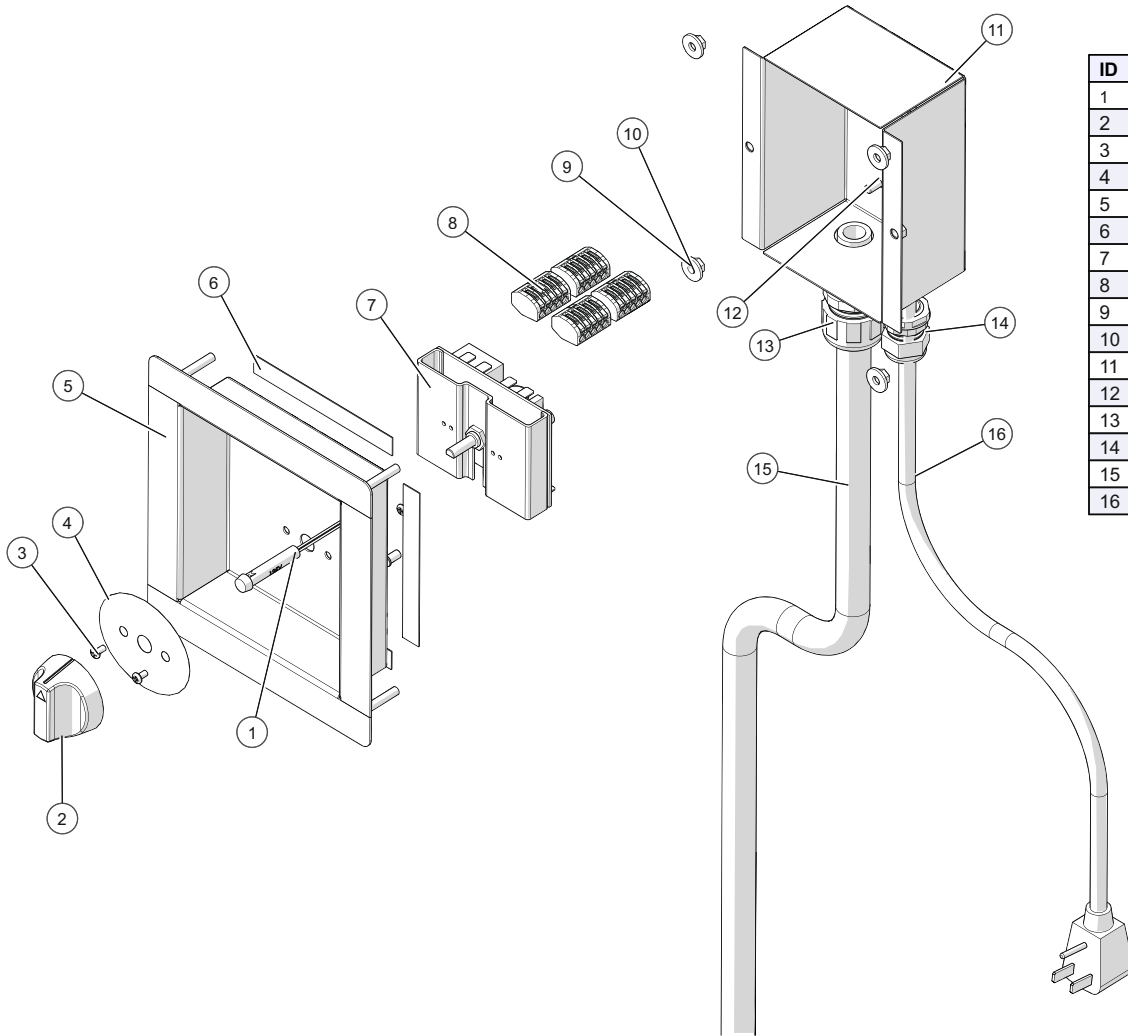
Control Pod, 120V NEMA 5-15 Straight Cord



ID	Part No.	Description	Qty
1	LI-35869	LIGHT,IND.,125V,AMBER,,.312 HOLE	1
2	KN-36424	KNOB, UNIBODY, T-STAT CONTROL	1
3	SC-22500	SCREW 6-32 X 1/4" PAN HD	2
4	WS-2768	WASHER,#6,LOCK,INT., #410 SS	2
5	PE-36566	PANEL OVERLAY, ELAN CONTROL	1
6	5016206	DECOR FACE ASSEMBLY	1
7	TA-24637	TAPE,VHB,FOAM,1/2"X72YD	4
8	CC-36441	CONTROL, ELAN, DETENT,500F MAX	1
9	CR-34646	CONNECTOR-5 CONDUCTOR	4
10	5016269	CONTROL POD SHELL ASS'Y	1
11	NU-27851	NUT-HEX 5MM WITH STAR WASHER	2
12	BU-34606	BUSHING,STRAIGHT,STRAIN RELIEF	1
13	1017519	CONDUIT FLEX LIQUID TIGHT, 6FT	1
14	CD-34094	CORDSET, 16/3 SJT, 120V	1
15	BU-3964	BUSHING,STRAIGHT,STRAIN RELIEF	1

5020166_14_CTRL POD 120V STR CORD

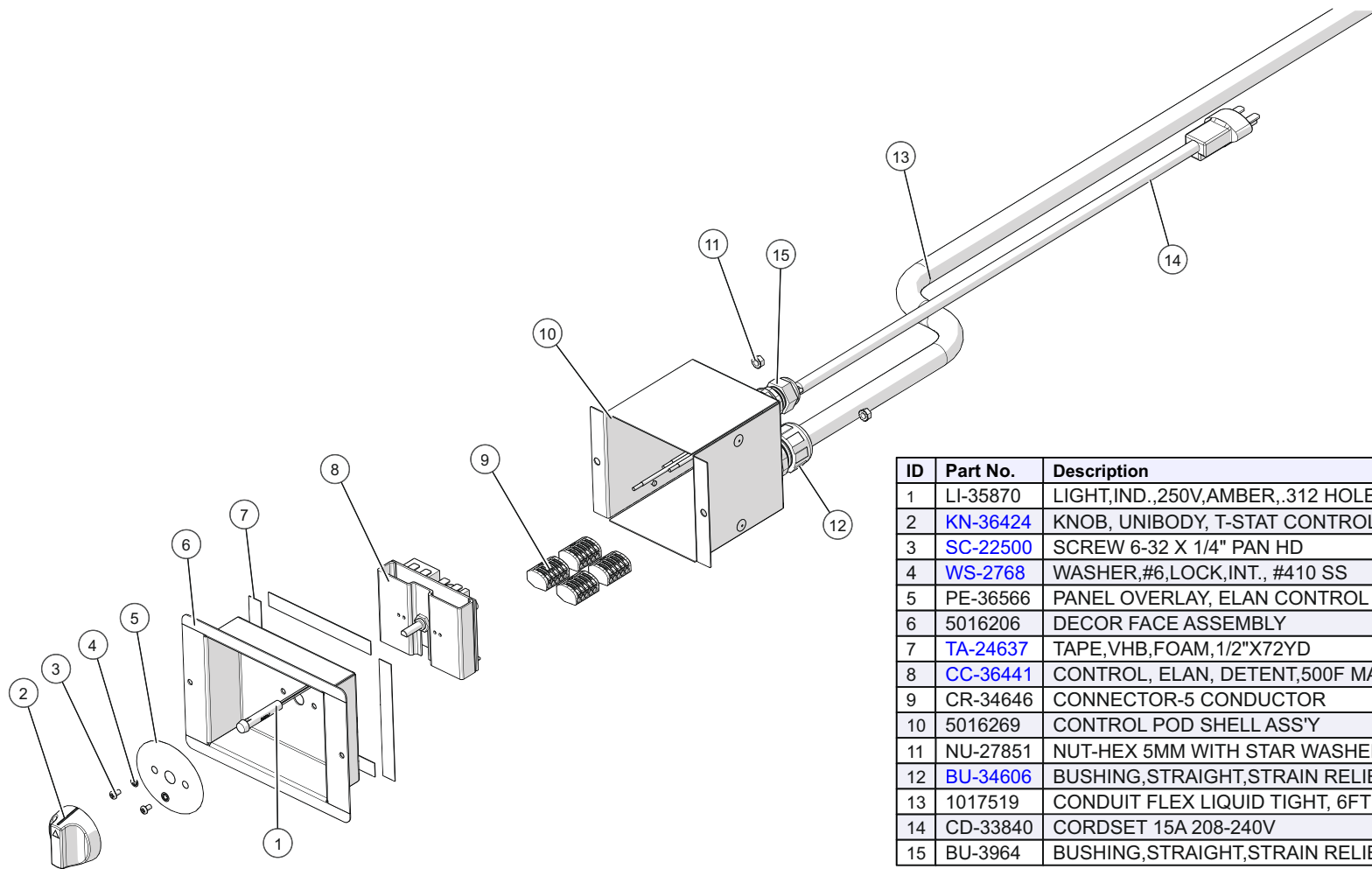
Control Pod, 120V NEMA 5-15P, Large Bezel



ID	Part No.	Description	Qty
1	LI-35869	LIGHT,IND.,125V,AMBER,,312 HOLE	1
2	KN-36424	KNOB, UNIBODY, T-STAT CONTROL	1
3	SC-22500	SCREW 6-32 X 1/4" PAN HD	4
4	PE-36566	PANEL OVERLAY, ELAN CONTROL	1
5	5018710	FACE, DECOR WELDMENT ASSY	1
6	TA-24637	TAPE,VHB,FOAM,1/2"X72YD	4
7	CC-36441	CONTROL, ELAN, DETENT,500F MAX	1
8	CR-34646	CONNECTOR-5 CONDUCTOR	4
9	NU-27851	NUT-HEX 5MM WITH STAR WASHER	7
10	WS-22296	WASHER, M5 X 15MM , 18-8SS	4
11	1017338	CONTROL POD SHELL, SPECIAL	1
12	SC-23737	SCREW, M5x0.8x10MM HEX	1
13	BU-34606	BUSHING,STRAIGHT,STRAIN RELIEF	1
14	BU-3964	BUSHING,STRAIGHT,STRAIN RELIEF	1
15	1017519	CONDUIT FLEX LIQUID TIGHT, 6FT	1
16	CD-3232	CORDSET, 14/3 SJTOW, 125V	1

5018744_14_CTRL POD 120V LG BEZEL

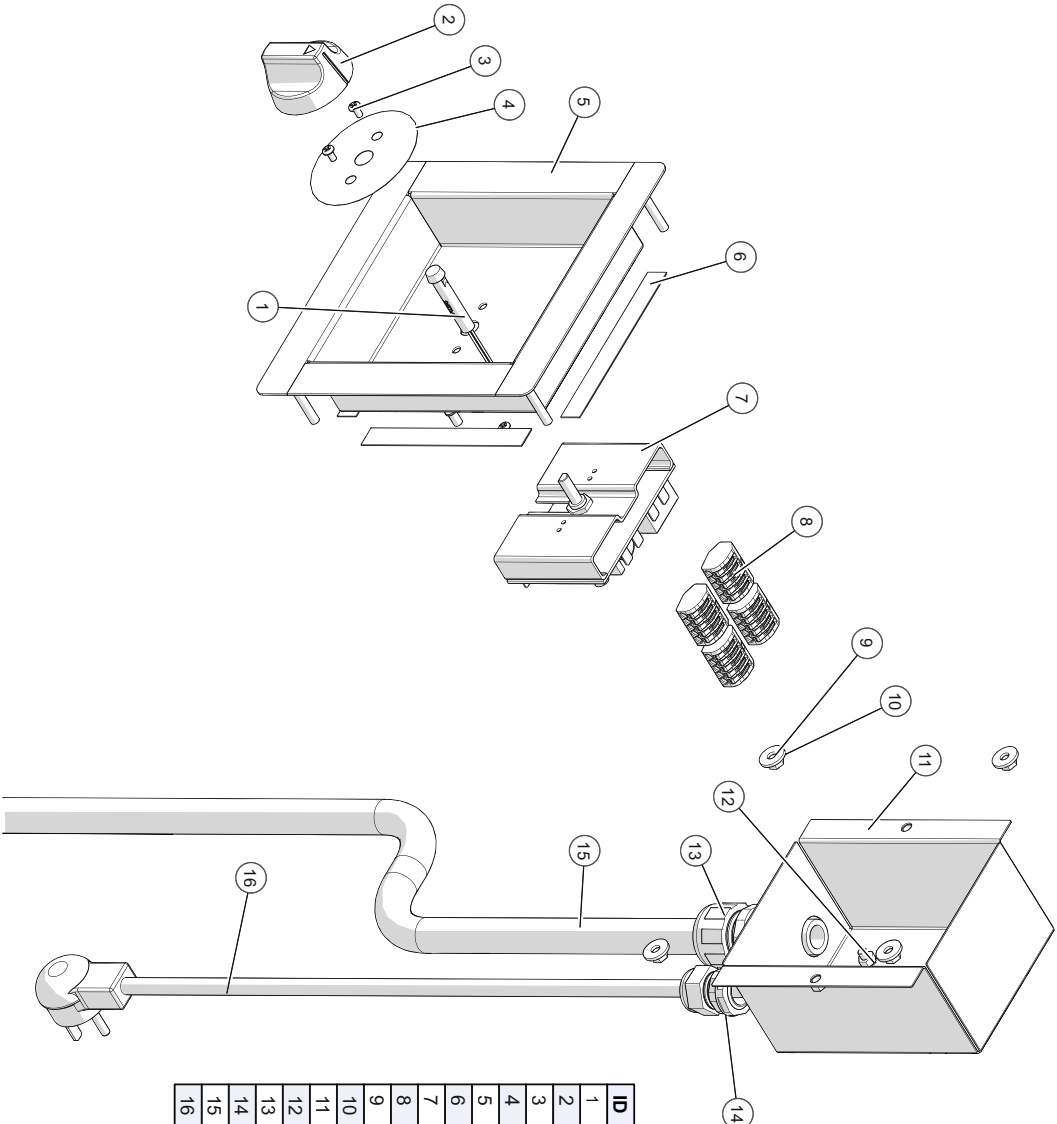
Control Pod, 208V-240V NEMA 6-15P



ID	Part No.	Description	Qty
1	LI-35870	LIGHT,IND.,250V,AMBER,,312 HOLE	1
2	KN-36424	KNOB, UNIBODY, T-STAT CONTROL	1
3	SC-22500	SCREW 6-32 X 1/4" PAN HD	2
4	WS-2768	WASHER,#6,LOCK,INT., #410 SS	2
5	PE-36566	PANEL OVERLAY, ELAN CONTROL	1
6	5016206	DECOR FACE ASSEMBLY	1
7	TA-24637	TAPE,VHB,FOAM,1/2"X72YD	4
8	CC-36441	CONTROL, ELAN, DETENT,500F MAX	1
9	CR-34646	CONNECTOR-5 CONDUCTOR	4
10	5016269	CONTROL POD SHELL ASS'Y	1
11	NU-27851	NUT-HEX 5MM WITH STAR WASHER	2
12	BU-34606	BUSHING,STRAIGHT,STRAIN RELIEF	1
13	1017519	CONDUIT FLEX LIQUID TIGHT, 6FT	1
14	CD-33840	CORDSET 15A 208-240V	1
15	BU-3964	BUSHING,STRAIGHT,STRAIN RELIEF	1

5016002_14_CTRL POD 208 240V

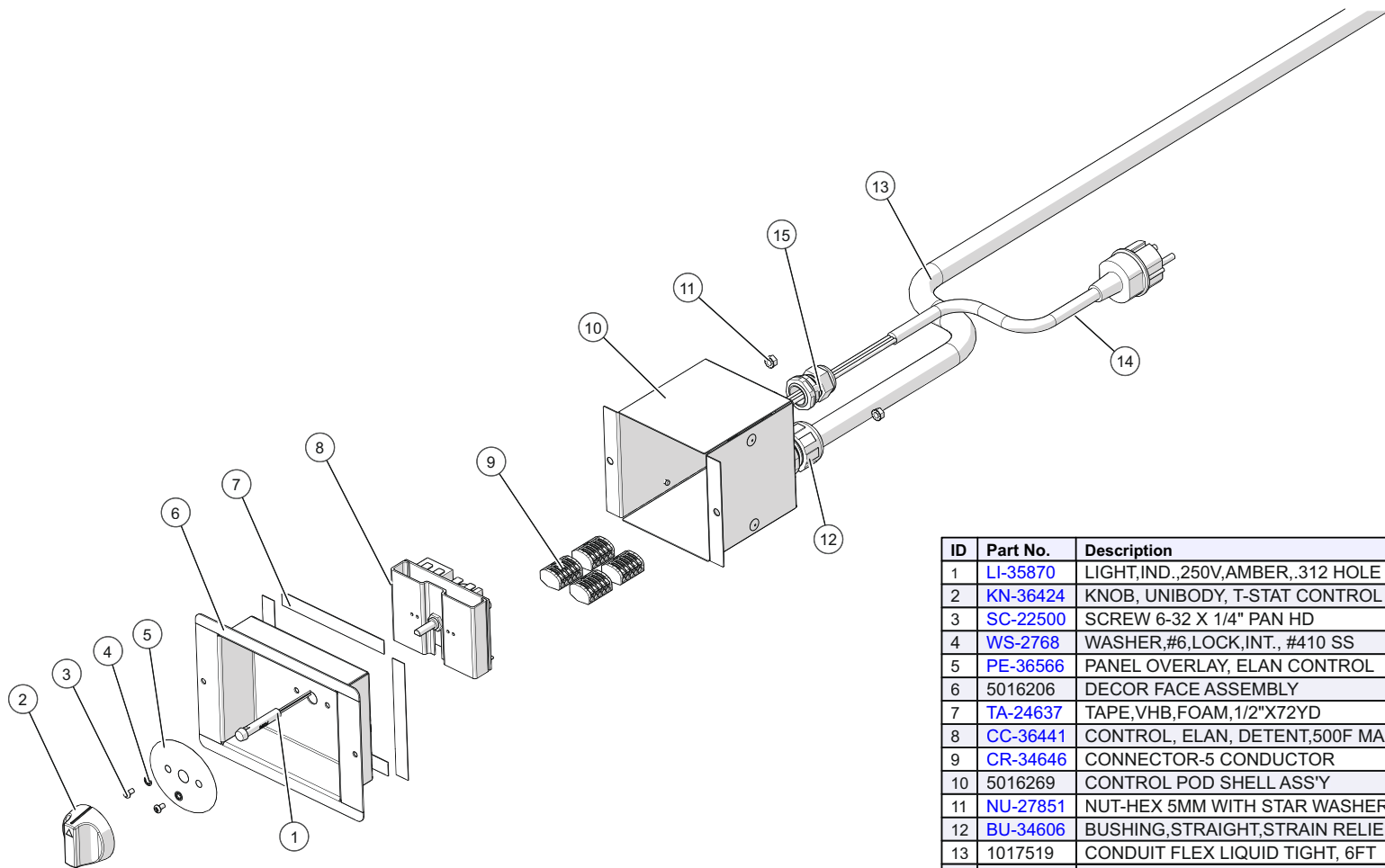
Control Pod, 208V-240V NEMA 6-15P, Large Bezel



ID	Part No.	Description	Qty
1	LI-35870	LIGHT,IND.,250V/AMBER, 3/12 HOLE	1
2	KN-36424	KNOB, UNIBODY, T-STAT CONTROL	1
3	SC-22500	SCREW 6-32 X 1/4" PAN HD	4
4	PE-36566	PANEL OVERLAY, ELAN CONTROL	1
5	5018710	FACE, DECOR WELDMENT ASSY	1
6	TA-24637	TAPE, VHB, FOAM, 1/2"X72YD	4
7	CC-36441	CONTROL, ELAN, DETENT,500F MAX	1
8	CR-34646	CONNECTOR-5 CONDUCTOR	4
9	NU-27851	NUT-HEX 5MM WITH STAR WASHER	7
10	WS-22296	WASHER, M5 X 15MM , 18-8SS	4
11	1017338	CONTROL POD SHELL, SPECIAL	1
12	SC-23737	SCREW, M5X0.8X10MM HEX	1
13	BU-34606	BUSHING,STRAIGHT,STRAIN RELIEF	1
14	BU-3964	BUSHING,STRAIGHT,STRAIN RELIEF	1
15	1017519	CONDUIT FLEX LIQUID TIGHT, 6FT	1
16	CD-37455	CORDSET 14/3 15A, 96", 208-240V	1

5018759_14_CTRL POD 208-240V ANGLE NEMA 6-15

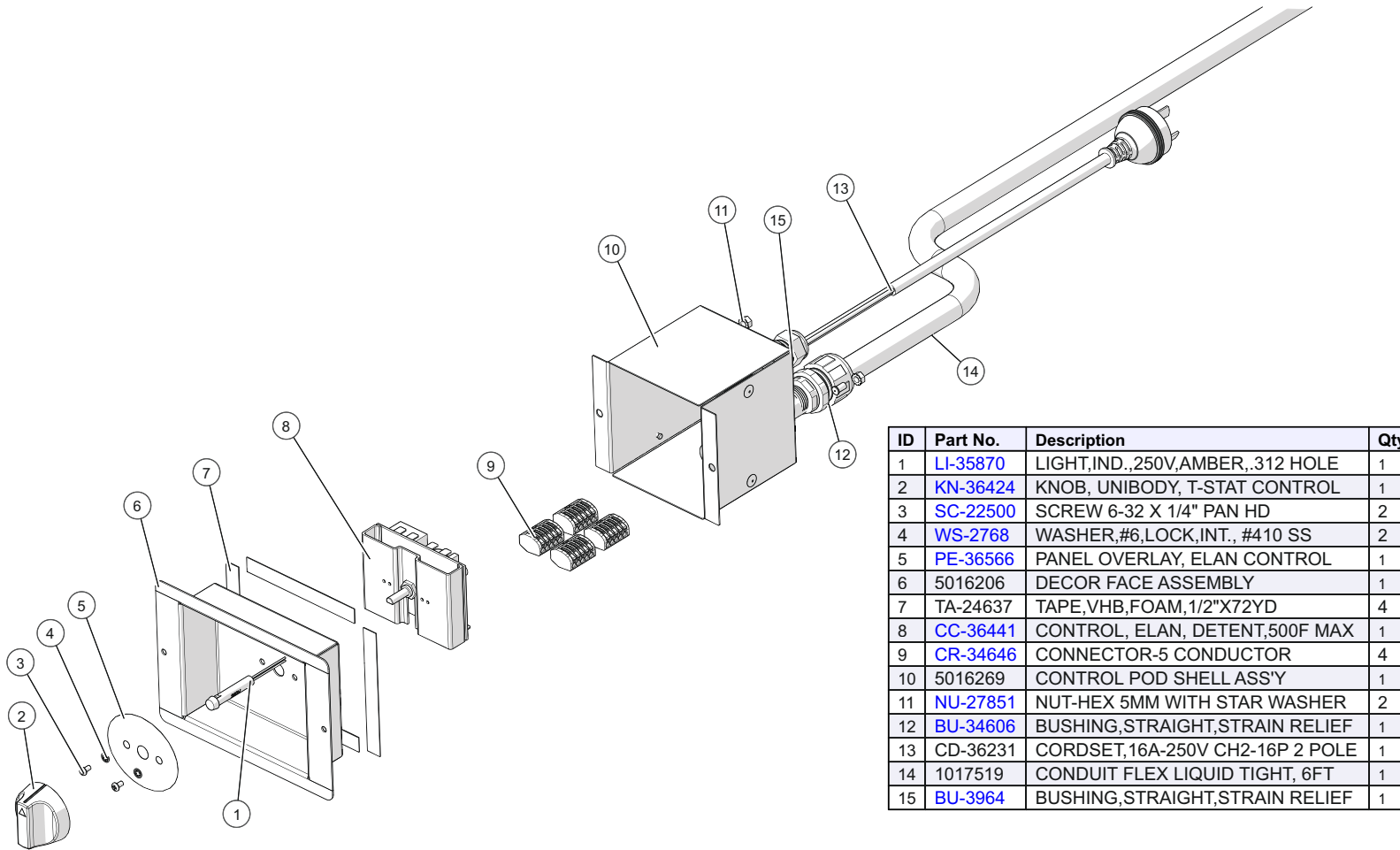
Control Pod, 230V CEE 7/7



ID	Part No.	Description	Qty
1	LI-35870	LIGHT,IND.,250V,AMBER,.312 HOLE	1
2	KN-36424	KNOB, UNIBODY, T-STAT CONTROL	1
3	SC-22500	SCREW 6-32 X 1/4" PAN HD	2
4	WS-2768	WASHER,#6,LOCK,INT., #410 SS	2
5	PE-36566	PANEL OVERLAY, ELAN CONTROL	1
6	5016206	DECOR FACE ASSEMBLY	1
7	TA-24637	TAPE,VHB,FOAM,1/2"X72YD	4
8	CC-36441	CONTROL, ELAN, DETENT,500F MAX	1
9	CR-34646	CONNECTOR-5 CONDUCTOR	4
10	5016269	CONTROL POD SHELL ASS'Y	1
11	NU-27851	NUT-HEX 5MM WITH STAR WASHER	2
12	BU-34606	BUSHING,STRAIGHT,STRAIN RELIEF	1
13	1017519	CONDUIT FLEX LIQUID TIGHT, 6FT	1
14	CD-3922	CORDSET-16AWG, 3/C, INT'L HARM	1
15	BU-3964	BUSHING,STRAIGHT,STRAIN RELIEF	1

5016003_14_CTRL POD 230V CEE 7-7

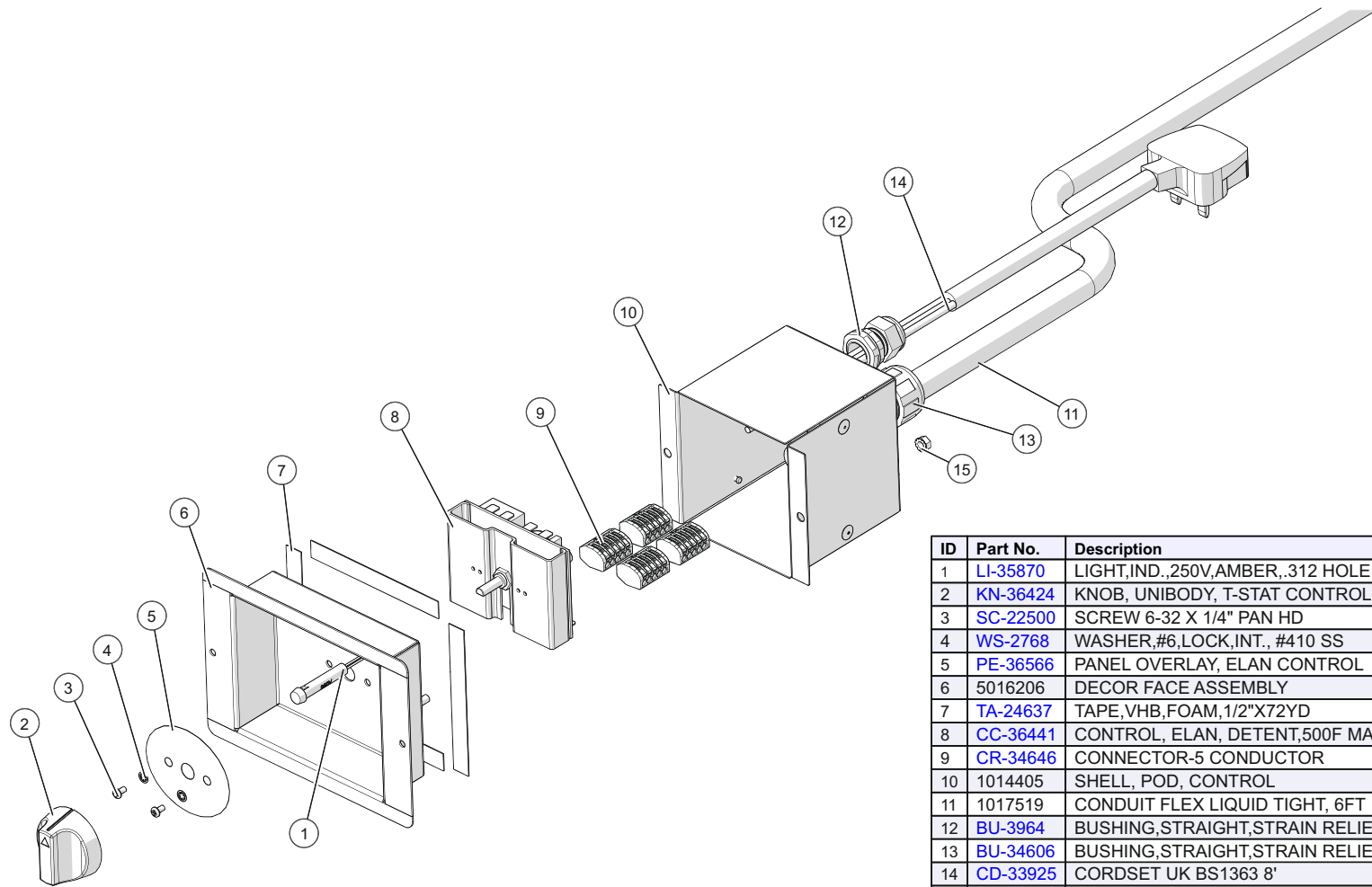
Control Pod, 230V CH2-16P



ID	Part No.	Description	Qty
1	LI-35870	LIGHT,IND.,.250V,AMBER,.312 HOLE	1
2	KN-36424	KNOB, UNIBODY, T-STAT CONTROL	1
3	SC-22500	SCREW 6-32 X 1/4" PAN HD	2
4	WS-2768	WASHER,#6,LOCK,INT., #410 SS	2
5	PE-36566	PANEL OVERLAY, ELAN CONTROL	1
6	5016206	DECOR FACE ASSEMBLY	1
7	TA-24637	TAPE,VHB,FOAM,1/2"X72YD	4
8	CC-36441	CONTROL, ELAN, DETENT,500F MAX	1
9	CR-34646	CONNECTOR-5 CONDUCTOR	4
10	5016269	CONTROL POD SHELL ASS'Y	1
11	NU-27851	NUT-HEX 5MM WITH STAR WASHER	2
12	BU-34606	BUSHING,STRAIGHT,STRAIN RELIEF	1
13	CD-36231	CORDSET,16A-250V CH2-16P 2 POLE	1
14	1017519	CONDUIT FLEX LIQUID TIGHT, 6FT	1
15	BU-3964	BUSHING,STRAIGHT,STRAIN RELIEF	1

5016913_14_CTRL POD 230V CH2-16P

Control Pod, 230V BS1363



ID	Part No.	Description	Qty
1	LI-35870	LIGHT,IND.,250V,AMBER,.312 HOLE	1
2	KN-36424	KNOB, UNIBODY, T-STAT CONTROL	1
3	SC-22500	SCREW 6-32 X 1/4" PAN HD	2
4	WS-2768	WASHER,#6,LOCK,INT., #410 SS	2
5	PE-36566	PANEL OVERLAY, ELAN CONTROL	1
6	5016206	DECOR FACE ASSEMBLY	1
7	TA-24637	TAPE,VHB,FOAM,1/2"X72YD	4
8	CC-36441	CONTROL, ELAN, DETENT,500F MAX	1
9	CR-34646	CONNECTOR-5 CONDUCTOR	4
10	1014405	SHELL, POD, CONTROL	1
11	1017519	CONDUIT FLEX LIQUID TIGHT, 6FT	1
12	BU-3964	BUSHING,STRAIGHT,STRAIN RELIEF	1
13	BU-34606	BUSHING,STRAIGHT,STRAIN RELIEF	1
14	CD-33925	CORDSET UK BS1363 8'	1
15	NU-27851	NUT-HEX 5MM WITH STAR WASHER	2

5018894_14_CTRL POD 230V BS1363



ALTO-SHAAM

Menomonee Falls, WI U.S.A.

Phone 800-558-8744 | +1-262-251-3800 | alto-shaam.com

ASIA

Shanghai, China
Phone +86-21-6173-0336

AUSTRALIA

Brisbane, Queensland
Phone 800-558-8744

CANADA

Concord, Ontario Canada
Toll Free Phone 866-577-4484
Phone +1-905-660-6781

FRANCE

Aix en Provence, France
Phone +33[0]4-88-78-21-73

GMBH

Bochum, Germany
Phone +49 [0]234 298798-0

ITALY

Padua, Italy
Phone +39 3476073504

INDIA

Pune, India
Phone +91 9657516999

MEXICO

Phone +52 1 477-717-3108

MIDDLE EAST & AFRICA

Dubai, UAE
Phone +971-4-321-9712

CENTRAL & SOUTH AMERICA

Miami, FL USA
Phone +1 954-655-5727