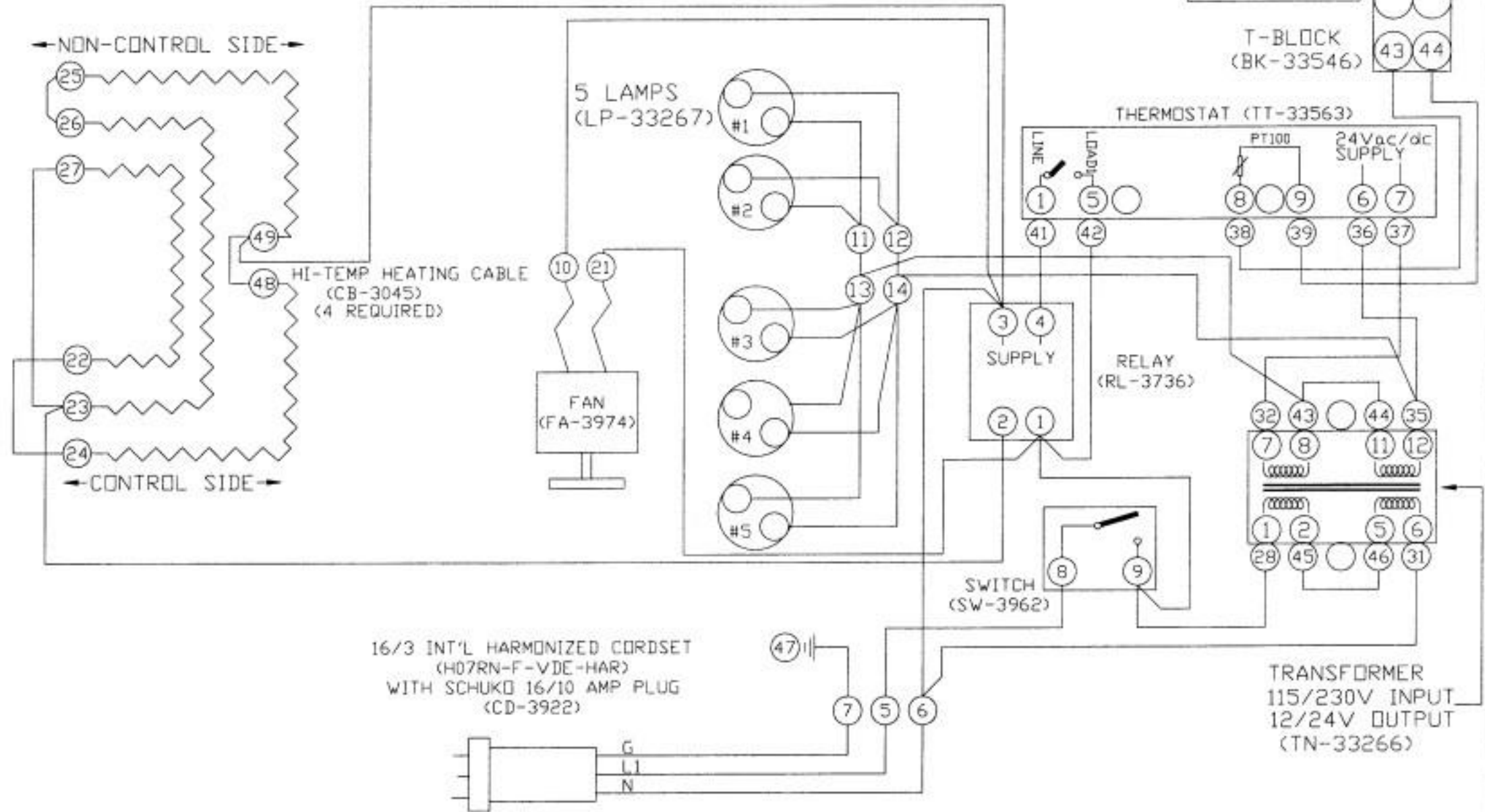
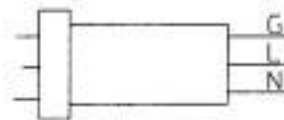


230V - 50/60HZ
 2270 WATTS
 9.8 AMPS



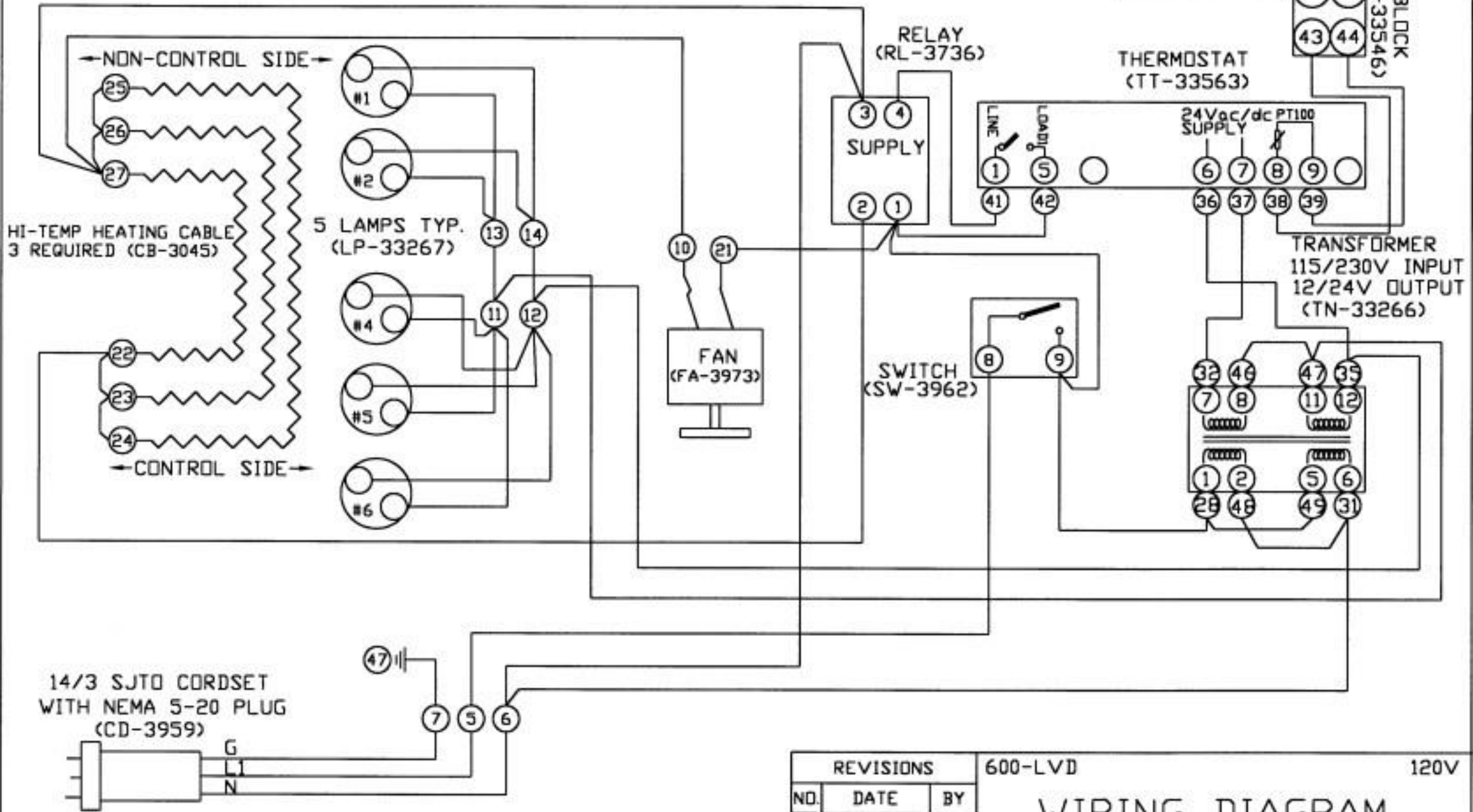
16/3 INT'L HARMONIZED CORDSET
 (H07RN-F-VDE-HAR)
 WITH SCHUKO 16/10 AMP PLUG
 (CD-3922)



REVISIONS			600-LVD	230V	
NO	DATE	BY	WIRING DIAGRAM ALTO-SHAAM INC. MENOMONEE FALLS, WISCONSIN		
1	10/31/94	RS			
2	09/16/99	JMM			
3	01/05/00	JMM			
4	04/26/00	NWW			
5	05/29/03	CJB	DRAWN LRP	SCALE 1"=1"	DWG. NO.
			APP'D MS	DATE 09/22/94	A-7369

NOTE #1: ALL NUMBERS IN () = ALTO-SHAAM PART NUMBERS
 NOTE #2: SEE DRW. #C-8698 FOR WIRE ASSEMBLIES

120V - 60HZ
 1700 WATTS
 14.2 AMPS



14/3 SJTO CORDSET
 WITH NEMA 5-20 PLUG
 (CD-3959)

NOTE #1: ALL NUMBERS IN () = ALTO-SHAAM PART NUMBERS
 NOTE #2: SEE DRW. #C-8697 FOR WIRE ASSEMBLIES

REVISIONS			600-LVD	120V	
NO.	DATE	BY	WIRING DIAGRAM		
1	10/31/94	RS	ALTO-SHAAM INC. MEMONEE FALLS, WISCONSIN		
2	07/07/95	RS			
3	09/16/99	JMM			
4	01/05/00	JMM	DRAWN BY LRP	SCALE 1"=1"	DWG. NO. A-7368
5	04/26/00	NWW	APP'D MS	DATE 2/02/94	