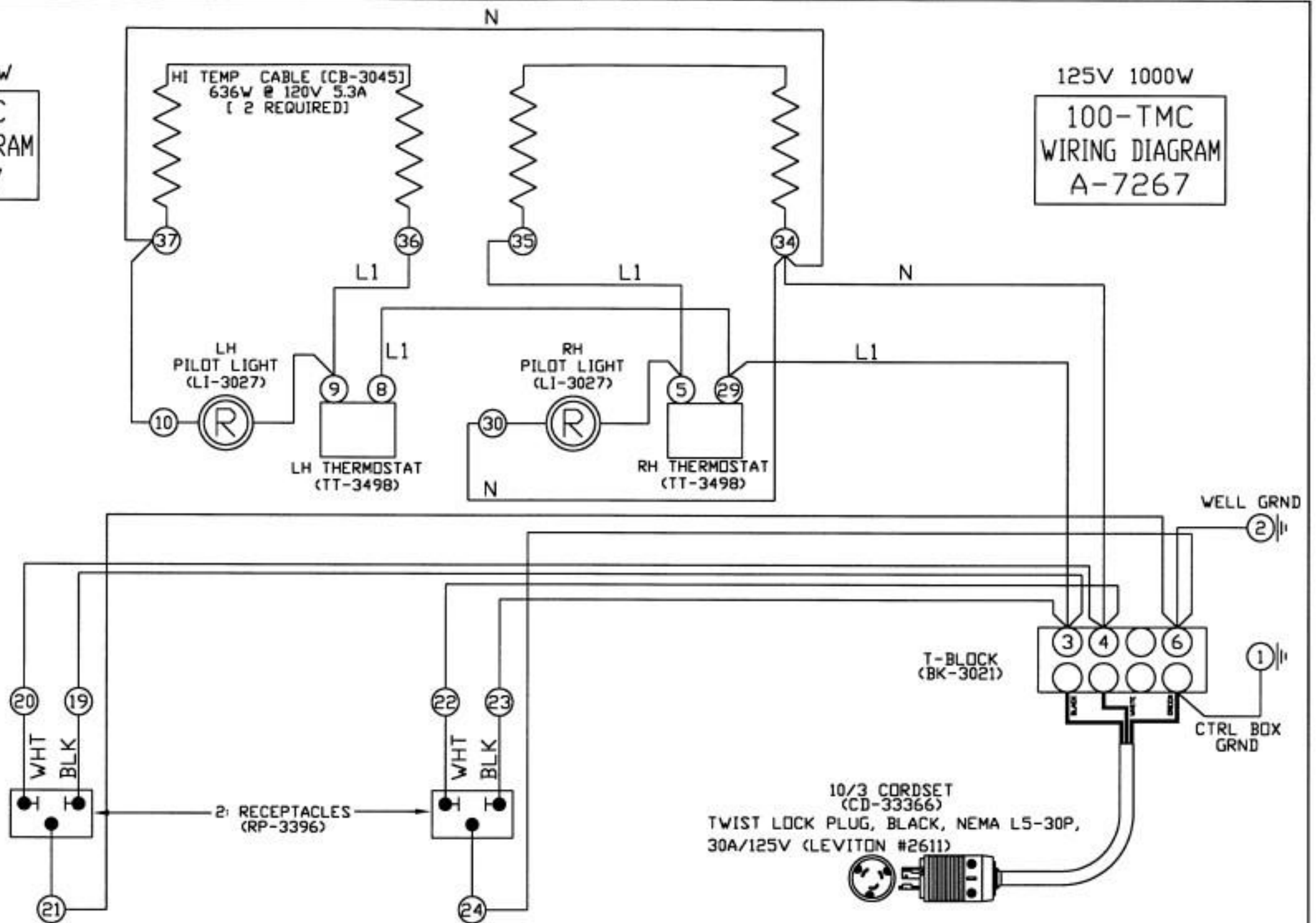


125V 1000W
100-TMC
WIRING DIAGRAM
A-7267

125V 1000W
100-TMC
WIRING DIAGRAM
A-7267



120V - 60Hz
1272W, 10.6A (STATION ONLY)
2272W, 18.9A (W/ 1:100-TMC)
3272W, 27.2A (W/ 2:100-TMC)

WIRE-DIAGRAM

MODELS: 300-TMC/2001/120V

ALTO-SHAAM.
MENOMONEE FALLS, WISC. 53052-450

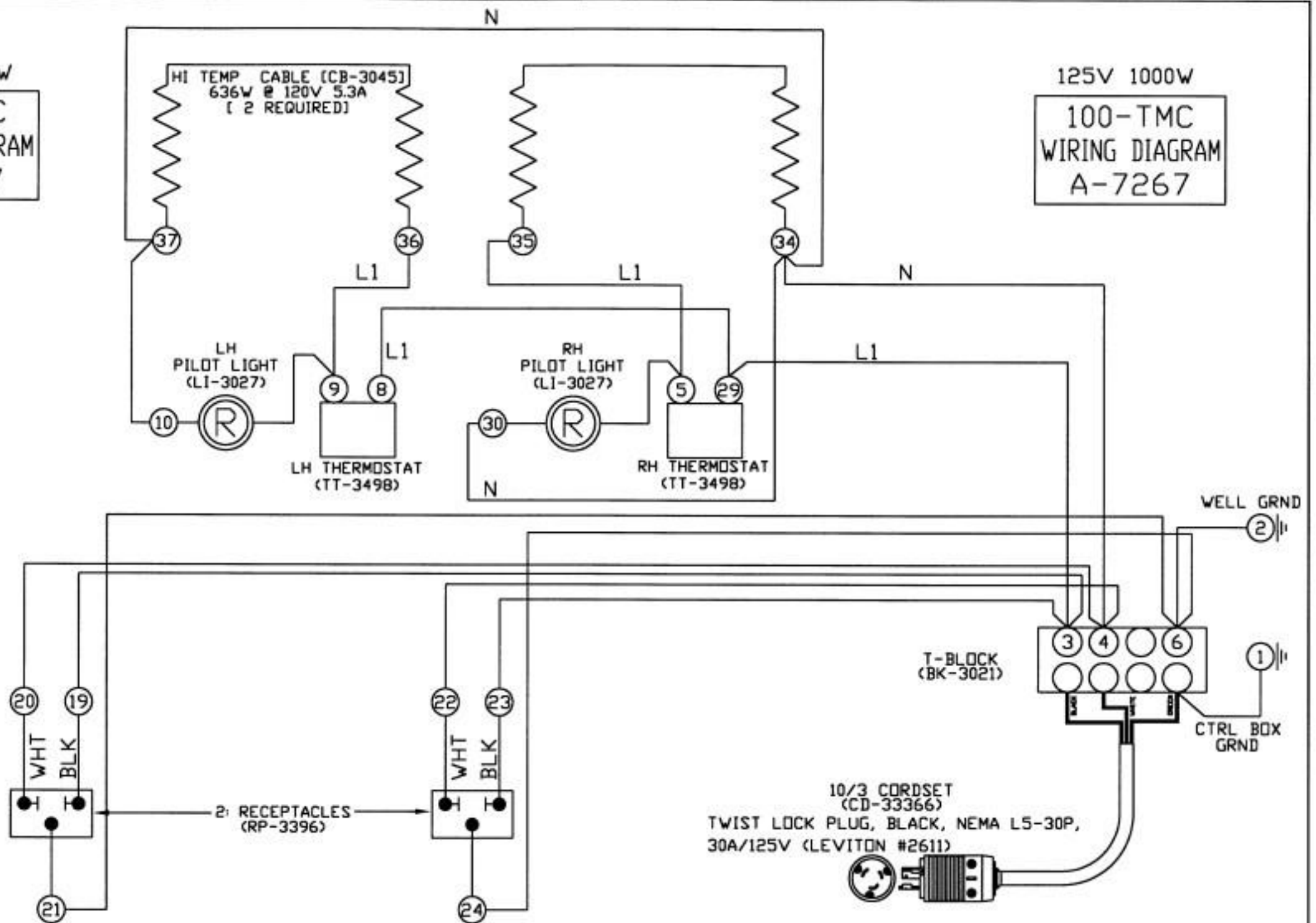
SCALE: 3/4" = 1"

DWG: A-7266-120V-2001

BY: MS DATE: 5-14-01

125V 1000W
100-TMC
WIRING DIAGRAM
A-7267

125V 1000W
100-TMC
WIRING DIAGRAM
A-7267



120V - 60Hz
1272W, 10.6A (STATION ONLY)
2272W, 18.9A (W/ 1:100-TMC)
3272W, 27.2A (W/ 2:100-TMC)

WIRE-DIAGRAM

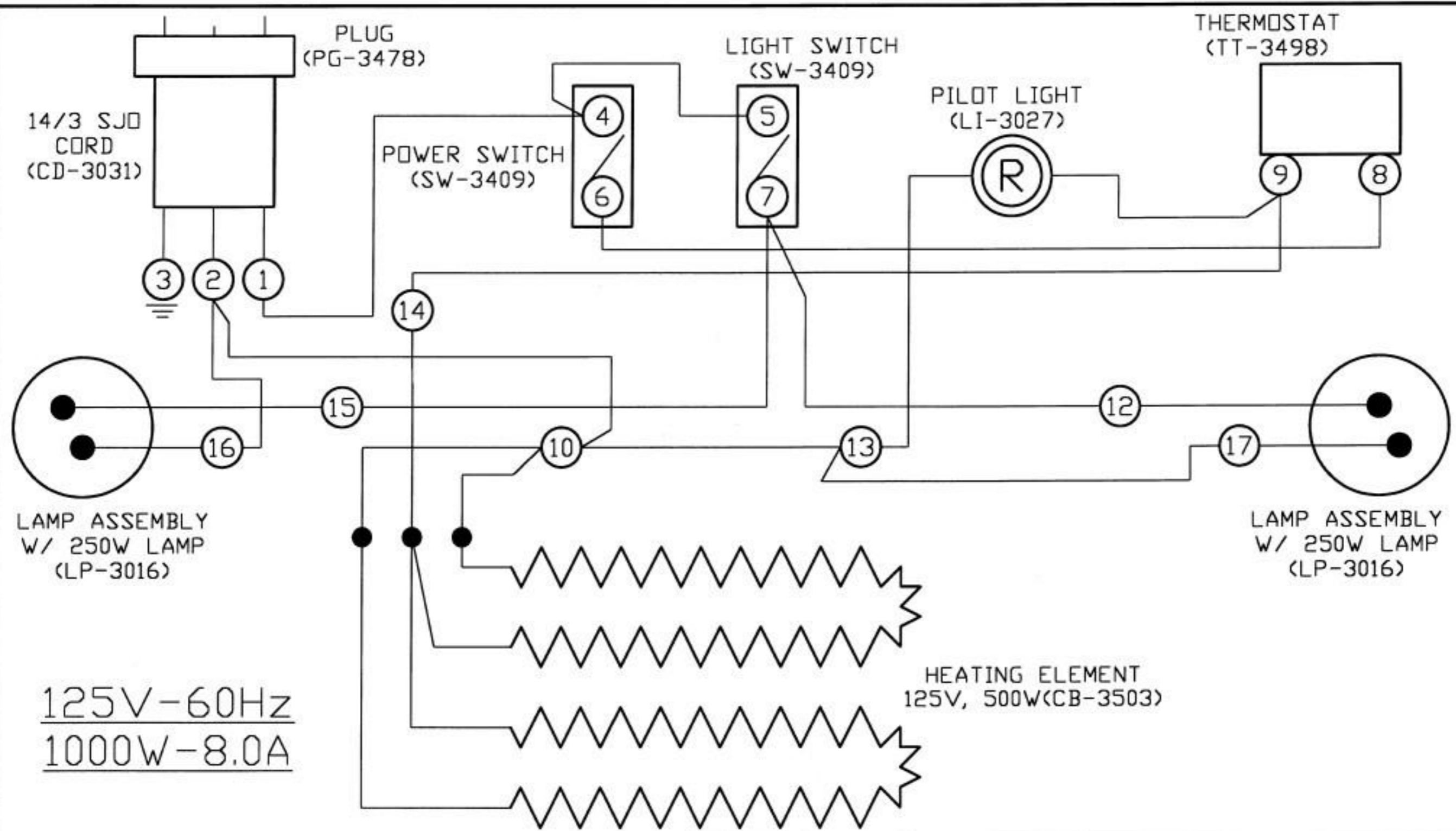
MODELS: 300-TMC/2001/120V

ALTO-SHAAM.
MENOMONEE FALLS, WISC. 53052-450

SCALE: 3/4" = 1"

DWG: A-7266-120V-2001

BY: MS DATE: 5-14-01



125V-60Hz
1000W-8.0A

NOTE #1: ALL NUMBERS IN () = ALTO-SHAAM PART NUMBERS
NOTE #2: SEE DRW. #B-8549 FOR WIRE ASSEMBLIES

REVISIONS			100-TMC		(125V)	
NO.	DATE	BY				
1	11/25/97	RS	<p style="text-align: center;">WIRING DIAGRAM</p> <p style="text-align: center;">ALTO-SHAAM INC.</p> <p style="text-align: center;">MENOMONEE FALLS, WISCONSIN</p>			
2						
3						
4						
5						
			DRAWN BY ALD	SCALE 1"=1"	DWG. NO.	
			APP'D MSM	DATE 4-10-86	A-7267	

