

## Cold Wells

**100-CW, 200-CW, 300-CW,  
400-CW, 500-CW, 600-CW**



## Manufacturer's Information

### Copyright

© Copyright 09/25 by Alto-Shaam, Inc.  
All rights reserved.  
This manual or any portion thereof may not be reproduced or used in any manner whatsoever without the express written permission of Alto-Shaam, Inc

### Trademarks

All trademarks referenced in this documentation are the property of their respective owners.

### Manufacturer

Alto-Shaam, Inc.  
P.O. Box 450  
W164 N9221 Water Street  
Menomonee Falls, WI 53052

### Models Covered

<b>CW-100</b> <b>CW-200</b> <b>CW-300</b> <b>CW-400</b> <b>CW-500</b> <b>CW-600</b>	US (UL Certified) Models
--	--------------------------

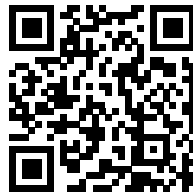
### Serial Number

The unit serial number is required for identifying and ordering the correct service parts.  
Record the unit serial number below for reference.

Serial Number

### Parts Finder Tool

Interactive diagrams from this Parts Manual are available online at our Parts Finder Tool:  
<https://www.alto-shaam.com/en/customer-support/parts>.  
Or, scan the QR code below.



### Parts Ordering Information

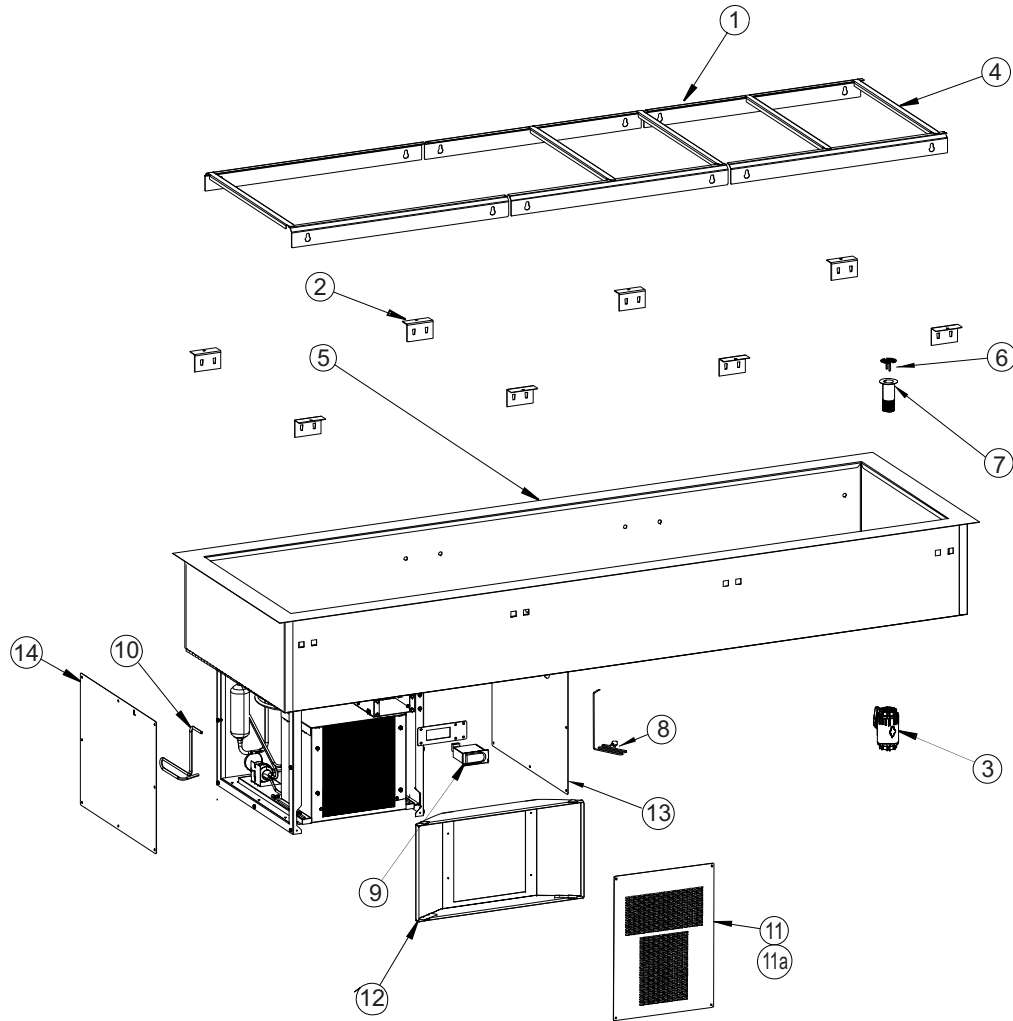
Original manufacturer's replacement parts may be ordered directly from the Alto-Shaam network of Authorized Service Agents and Parts Distributors. Follow this link for a map to a local partner: <https://www.alto-shaam.com/en/how-to-buy>. If you are an Authorized Service Agent or Parts Distributor, please submit your purchase order to [parts@alto-shaam.com](mailto:parts@alto-shaam.com).

Non-OEM parts may be substituted; however, these parts must be of equal quality and specifications as those provided by Alto-Shaam.

# Table of Contents

Manufacturer's Information.....2  
Table of Contents .....3  
General Service Parts .....4  
Condensor Service Parts.....5

# General Service Parts

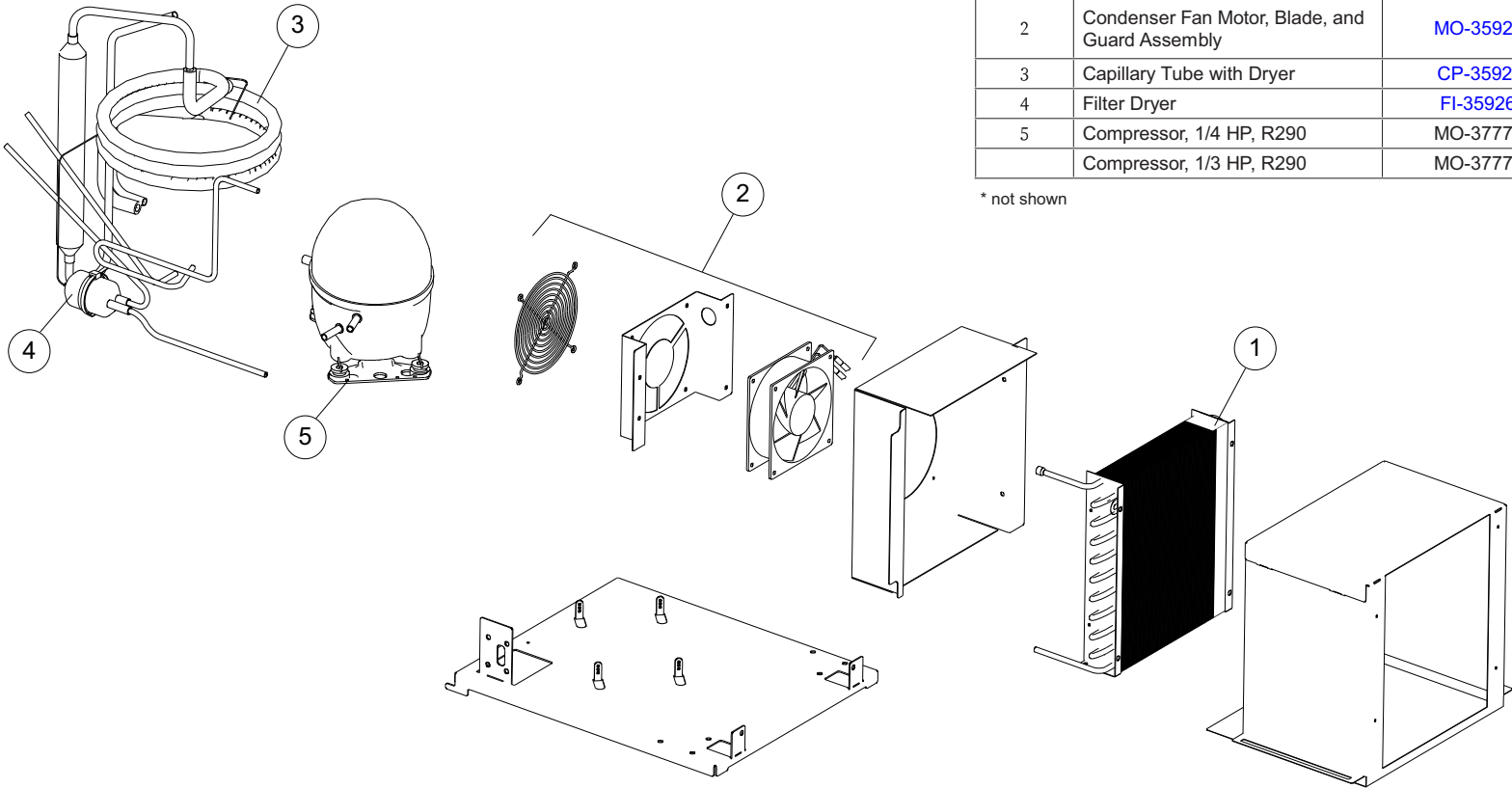


600-CW SHOWN

ITEM	SERVICE PART	DESCRIPTION	CW-100	CW-200	CW-300	CW-400	CW-500	CW-600
1	CL-35911	CLIPS, PAN RAIL, CW-100	X	-	-	-	-	-
	CL-35912	CLIPS, PAN RAIL, CW-200	-	X	-	-	-	-
	CL-35913	CLIPS, PAN RAIL, CW-300	-	-	X	-	-	-
	CL-35914	CLIPS, PAN RAIL, CW-400	-	-	-	X	-	-
	CL-35915	CLIPS, PAN RAIL, CW-500	-	-	-	-	X	-
	CL-35916	CLIPS, PAN RAIL, CW-600	-	-	-	-	-	X
2	CL-35910	CLIPS, HOLD-DOWN	X	X	X	X	X	X
3	PB-37771	BALL VALVE, 1" PVC THREADED	X	X	X	X	X	X
4	PN-35917	ADAPTER BAR, 20.5" X 7/8"	X	X	X	X	X	X
5	PI-35908	PIN, KEY PAN RAIL	X	X	X	X	X	X
6	DA-35918	DRAIN SCREEN	X	X	X	X	X	X
7	VA-25909	GATE VALVE, 1" THREADED	X	X	X	X	X	X
8	CD-35920	POWER CORD, 9' 16/3 W/90°	X	X	X	X	X	X
9	CC-37826	CONTROL, CAREL RP CNT2102 PRE-PROGRAMMED	X	X	X	X	X	X
10	TT-37774	THERMISTOR, QTI, AIR SENSOR, BLACK, 10'	X	X	X	X	X	X
11	PN-37809	LOUVER, FLAT (T28-00010)	X	-	-	-	-	-
11a	PN-37810	LOUVER, FLAT (T28-00045)	-	X	X	X	X	X
12	FN-37811	FUNNEL, CONDENSING UNIT, ( T28-0044)	-	X	X	X	X	X
13	PN-37812	SIDE, PANEL, LEFT (T28-0047)	X	X	X	X	X	X
14	PN-37813	SIDE, PANEL, RIGHT (T28-0048)	X	X	X	X	X	X

5900032\_1

# Condenser Service Parts



Item	Description	Part No.
1	Coil, Condenser, 1/4 HP	<a href="#">RE-35924</a>
2	Condenser Fan Motor, Blade, and Guard Assembly	<a href="#">MO-35928</a>
3	Capillary Tube with Dryer	<a href="#">CP-35927</a>
4	Filter Dryer	<a href="#">FI-35926</a>
5	Compressor, 1/4 HP, R290	MO-37778
	Compressor, 1/3 HP, R290	MO-37779

\* not shown

5900031\_0



# ALTO-SHAAM.

Menomonee Falls, WI U.S.A.

Phone 800-558-8744 | +1-262-251-3800 | alto-shaam.com

## ASIA

Shanghai, China  
Phone +86-21-6173-0336

## AUSTRALIA

Brisbane, Queensland  
Phone 800-558-8744

## CANADA

Concord, Ontario Canada  
Toll Free Phone 866-577-4484  
Phone +1-905-660-6781

## FRANCE

Aix en Provence, France  
Phone +33(0)4-88-78-21-73

## GMBH

Bochum, Germany  
Phone +49 (0)234 298798-0

## ITALY

Padua, Italy  
Phone +39 3319273313

## INDIA

Pune, India  
Phone +91 9657516999

## MEXICO

Phone 262-251-3800 Ext. 6506

## MIDDLE EAST & AFRICA

Dubai, UAE  
Phone +971-4-321-9712

## CENTRAL & SOUTH AMERICA

Miami, FL USA  
Phone 262-251-3800 Ext. 6506