

HI-TEMP HEATING CABLE
2- 31' FEET, 21 OHMS EACH
(CB-3045)

HEATING CABLE
61
55
54

1150W @ 110V, 10.4 AMPS
1258W @ 115V, 10.9 AMPS
1368W @ 120V, 11.4 AMPS
1468W @ 125V, 11.7 AMPS

TOTAL POWER:
1150W @ 110V, 10.4 AMPS
1258W @ 115V, 10.9 AMPS
1368W @ 120V, 11.4 AMPS
1468W @ 125V, 11.7 AMPS

NOTE #1: ALL NUMBERS IN O = ALTO-SHAAM PART NO'S
NOTE #2: SEE DRW. #A-8144 FOR WIRE ASSEMBLIES

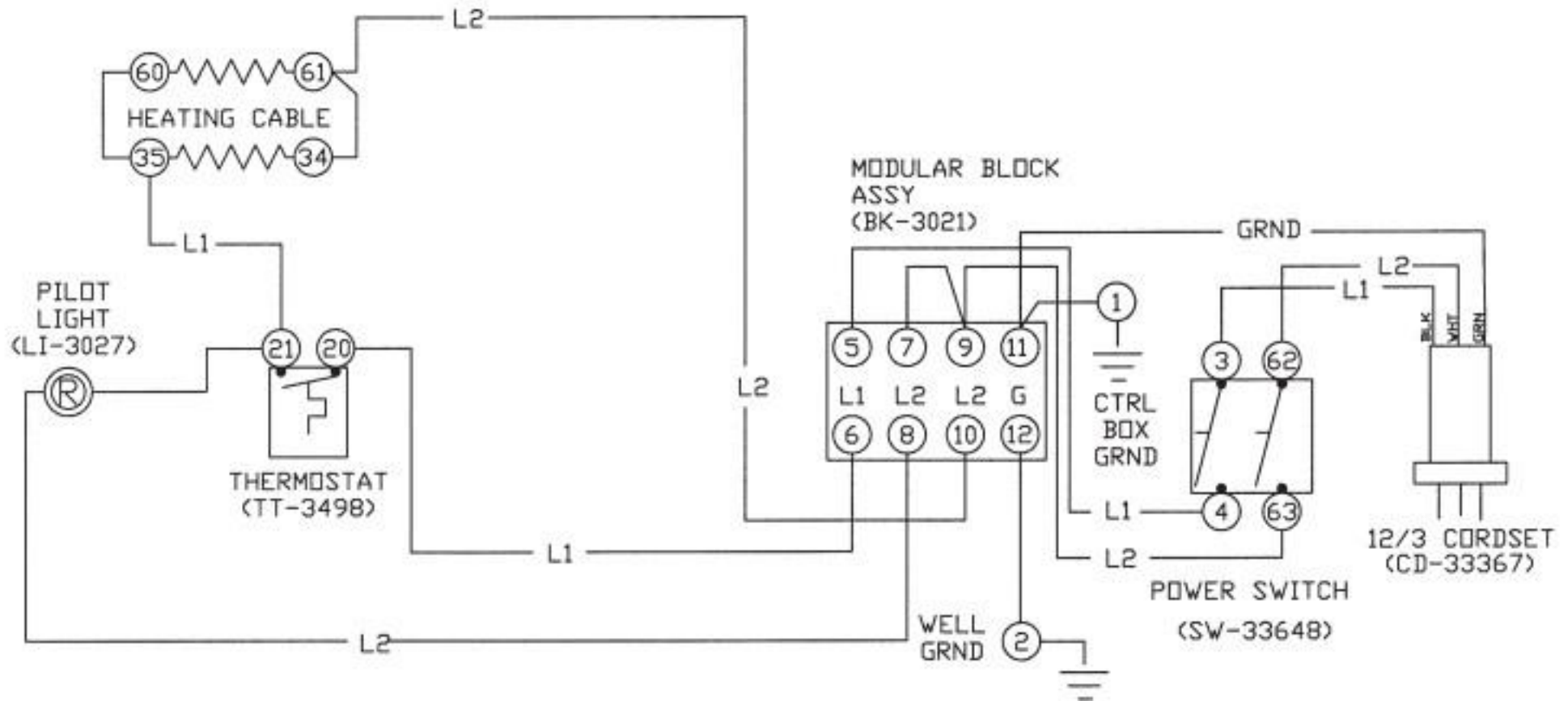
WIRE DIAGRAM - REMOTE CONTROL

CUT SIZE:	1
MATERIAL:	
DESCRIPTION:	
QUANTITY:	
APPROVAL:	PED

MODELS: 200-HST W/REMOTE 120V	
ALTO-SHAAM.	
MENOMONEE FALLS, WISC. 53052-450	
SCALE: 3/4" = 1'	DWG: A-7652
BY: MS	DATE: 01/23/03

HI-TEMP HEATING CABLE
 2x 31' FEET, 21 OHMS EACH
 (CB-3045)

1150W @ 110V, 10.4 AMPS
 1258W @ 115V, 10.9 AMPS
 1368W @ 120V, 11.4 AMPS
 1468W @ 125V, 11.7 AMPS



NOTE #1: SEE DRW #IENG/PRODUCTION/DWG8/8178

TOTAL POWER:

FOR WIRING
 ASSEMBLY DRAWING.

1150W @ 110V, 10.4 AMPS

1258W @ 115V, 10.9 AMPS

1368W @ 120V, 11.4 AMPS

1468W @ 125V, 11.7 AMPS

WIRING DIAGRAM

MODELS: 200-HST/G,W/D REMOTE

ALTO-SHAAM.
 MENOMONEE FALLS, WISC. 53052-450

BY: DHT

SCALE: 1"=1'

DWG:

A-7670

APP'D: PE D

DATE: 08/25/03