

TOTAL POWER:

1788W @ 208V, 8.6 AMPS 50/60 Hz
2400W @ 240V, 10.0 AMPS 50/60 Hz

WIRING DIAGRAM

MODELS: 300-HFT/BASEONLY

208/240V

ALTO-SHAAM
MENOMONEE FALLS, WISC. 53052-450

BY: AHL

SCALE: 1"=1'

DWG:

A-7698

APP'D: PED

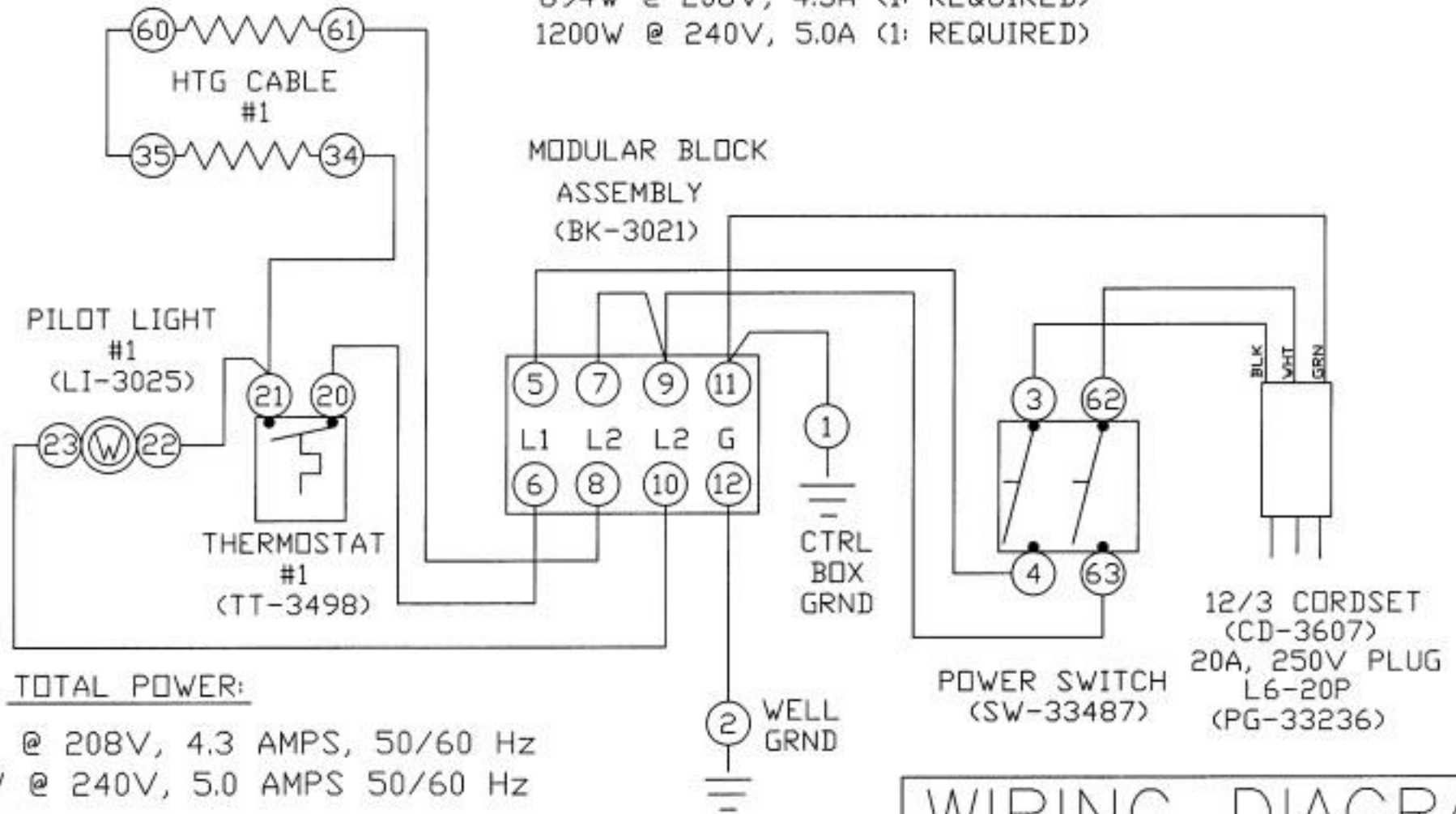
DATE:04/13/04

HEATING CABLE

EA: 70' 9" LONG, 48 OHMS

894W @ 208V, 4.3A (1: REQUIRED)

1200W @ 240V, 5.0A (1: REQUIRED)



TOTAL POWER:

894W @ 208V, 4.3 AMPS, 50/60 Hz

1200W @ 240V, 5.0 AMPS 50/60 Hz

NOTE: SEE 4-8212 FOR
WIRE ASSEMBLY DRAWING

WIRING DIAGRAM

MODELS: 200-HFT/BASE ONLY

208/240V

ALTO-SHAAM
MENOMONEE FALLS, WISC. 53052-450

BY: AHL

SCALE: 1"=1'

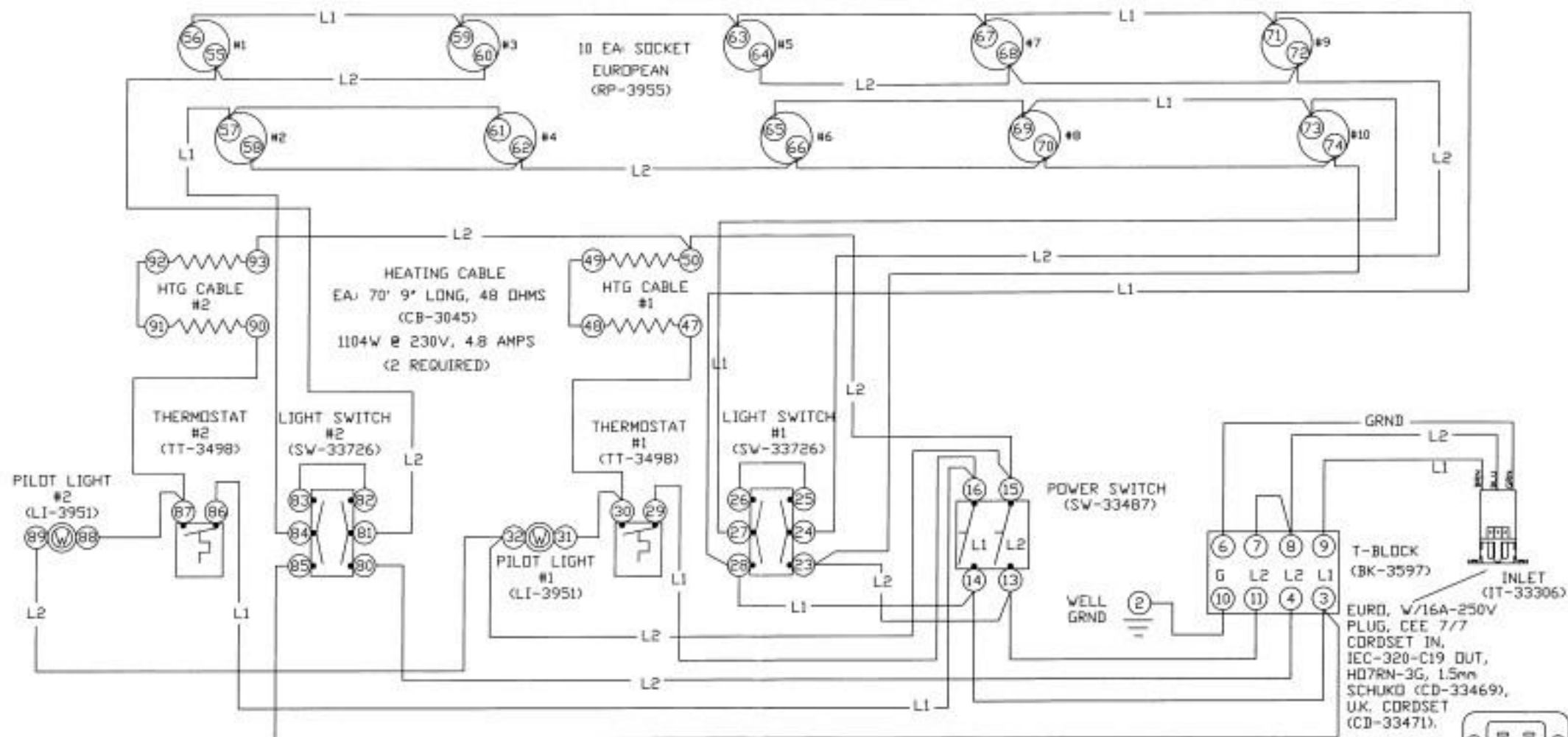
DWG:

A-7697

APP'D: P.E.D

DATE: 04/13/04

LAMPS (LP-33783)
100W @ 230V, 435mA (10 REQUIRED)



NOTE #1: SEE B-8994
FOR WIRE ASSEMBLY.

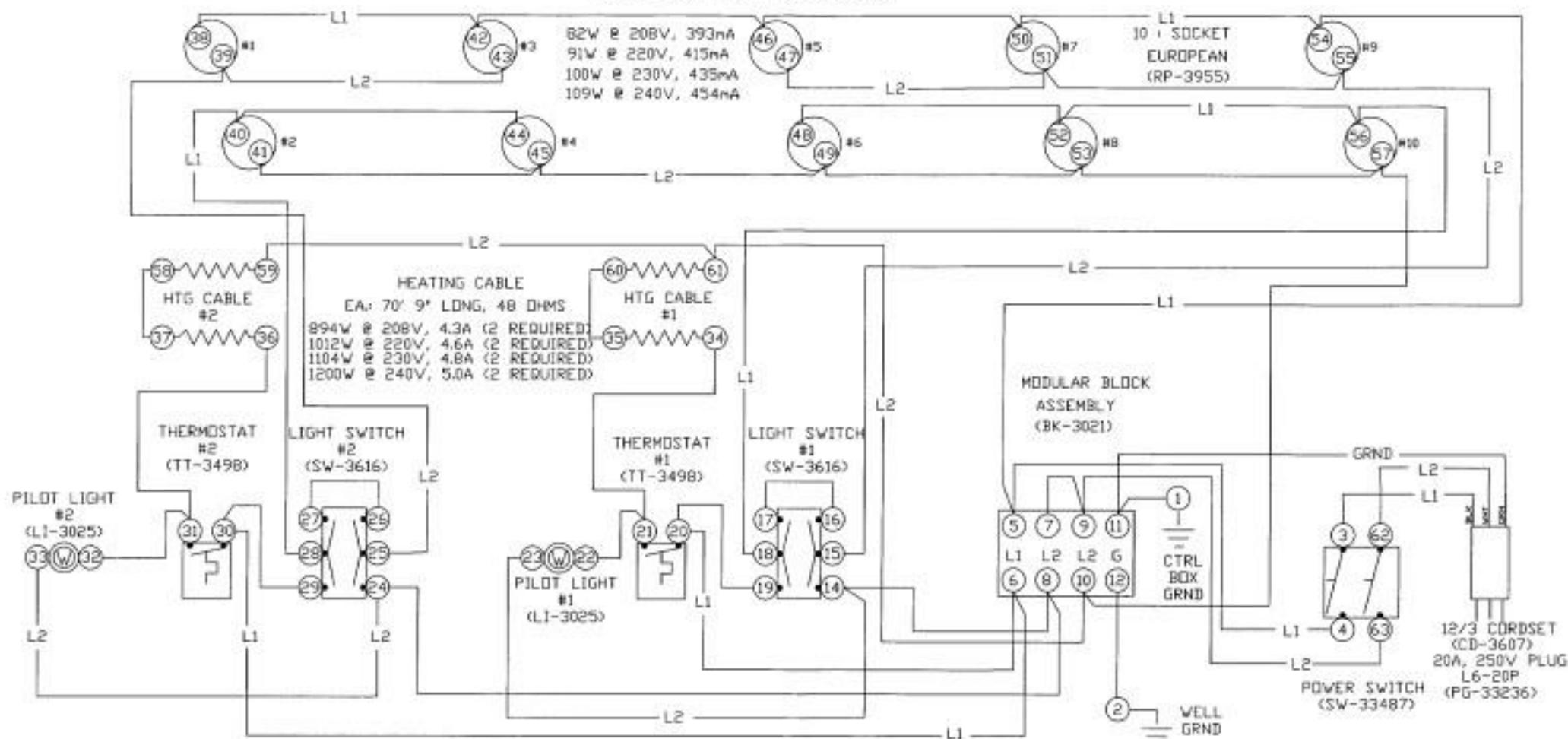
TOTAL POWER:
3250W @ 230V, 14.1 AMPS

WIRE DIAGRAM

| | | | | | | | |
|-----|----------|-----|------------|----------------|-------------|----------------------------|------|
| 4 | 08/13/02 | CJB | | | | MODELS: 300-HFT, HST 2000' | 230V |
| 3 | 12/27/01 | DDF | | | | | |
| 2 | 09/26/01 | CJB | | | | | |
| 1 | 06/12/01 | NW | | | | | |
| NO. | REVISION | BY | | | | | |
| | | | BY: NW | SCALE: NONE | DWG: B-7575 | | |
| | | | APP'D: JRM | DATE: 12/01/00 | | | |

ALTO-SHAAM
MENOMONEE FALLS, WISC. 53052-450

LAMPS (LP-33783)
100W @ 230V, 435mA (10 REQUIRED)



NOTE #1: SEE B-8993 FOR WIRE ASSEMBLY

TOTAL POWER:

2609W @ 208V, 12.5 AMPS
2844W @ 220V, 12.9 AMPS
3028W @ 230V, 13.2 AMPS
3220W @ 240V, 13.4 AMPS

WIRE DIAGRAM

| | | | | | |
|---|----------|-----------------|---|----------------|--------|
| 2 | 05/03/04 | CJB | MODELS: 300-HFT,HST 2000' | 208-240V | |
| 1 | 09/17/02 | CJB | ALTO-SHAAM MENOMONEE FALLS, WISC. 53052-450 | | |
| | | | | | |
| | | NO. REVISION BY | BY: NW/W | SCALE: NONE | DWG: |
| | | | APP'D: JRM | DATE: 12/01/00 | B-7574 |

LAMPS
100W @ 130V
(LP-33592)

72W @ 110V, 650mA
(10 REQUIRED)
78W @ 115V, 680mA
(10 REQUIRED)
85W @ 120V, 710mA
(10 REQUIRED)

10 EA. SOCKET
NORTH AMERICAN
(RP-3952)

HEATING CABLE
EACH 35.5' LONG, 24.1 OHMS
(CB-3045)

506W @ 110V, 4.6 AMPS
(4 REQUIRED)
552W @ 115V, 4.8 AMPS
(4 REQUIRED)
600W @ 120V, 5.0 AMPS
(4 REQUIRED)

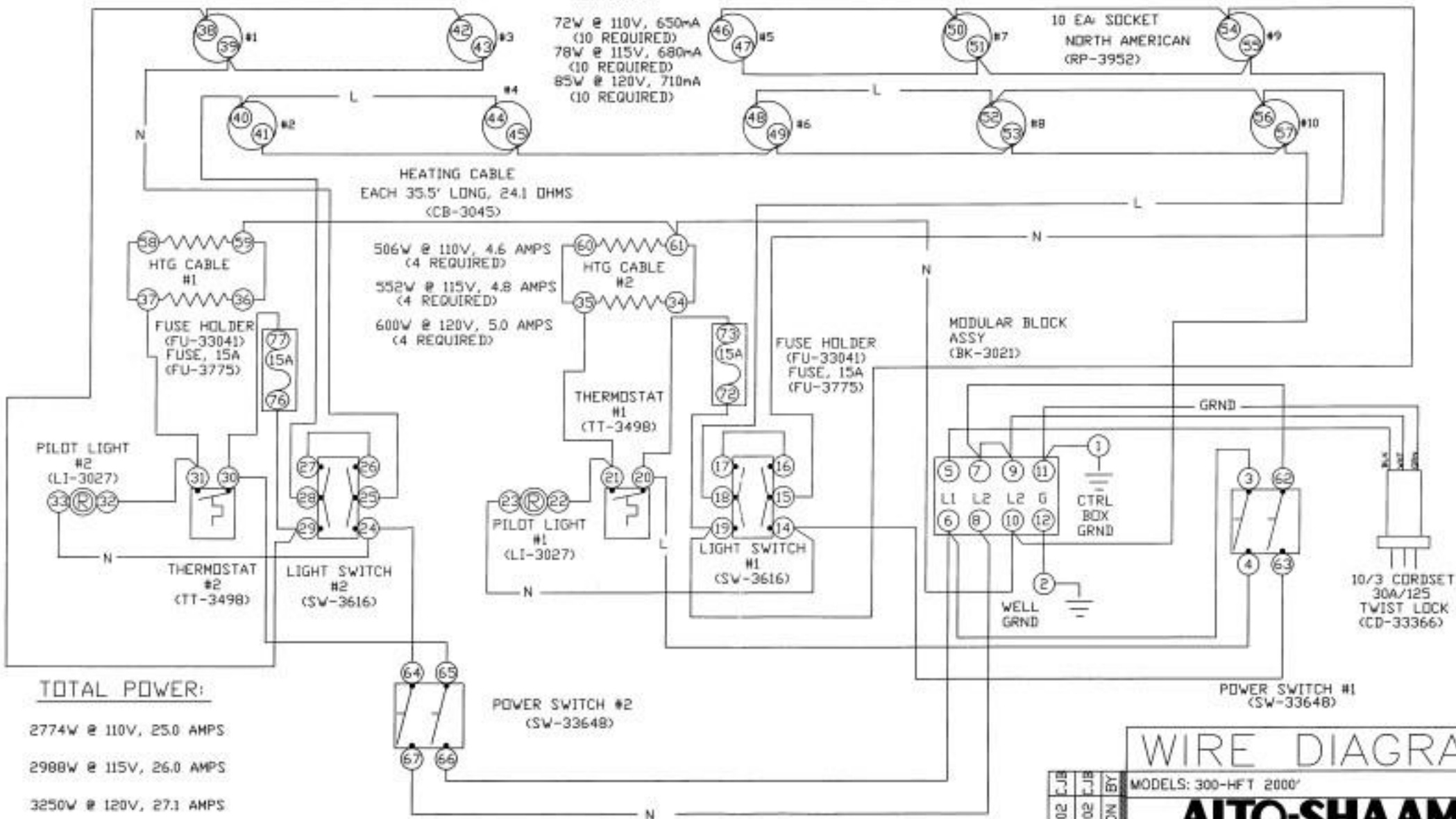
HTG CABLE #1

HTG CABLE #2

THERMSTAT #1
(TT-3498)

FUSE HOLDER
(FU-33041)
FUSE, 15A
(FU-3775)

MODULAR BLOCK
ASSY
(BK-3021)



TOTAL POWER:

2774W @ 110V, 25.0 AMPS

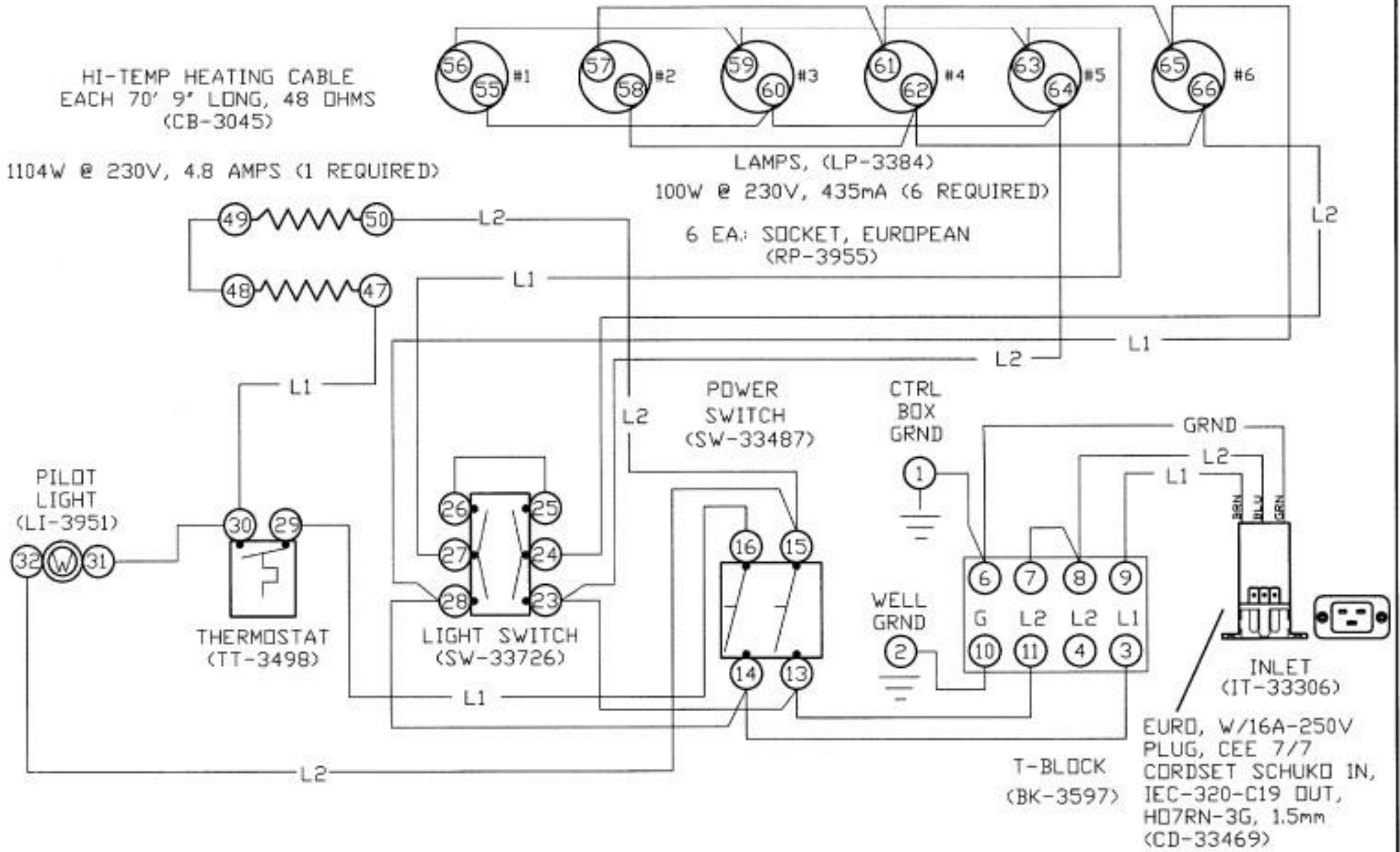
2988W @ 115V, 26.0 AMPS

3250W @ 120V, 27.1 AMPS

NOTE: SEE B-B992 FOR WIRING ASSEMBLY.

WIRE DIAGRAM

| | | | |
|-----------|----------------|-----------------------|-------------|
| 09/17/02 | CJB | MODELS: 300-HFT 2000' | 120V |
| 03/07/02 | CJB | | |
| | NO REVISION BY | | |
| BY: N/W | | SCALE: NDME | DWG: B-7573 |
| APPD: JRM | | DATE: 12/01/00 | |



TOTAL POWER:
1704W @ 230V, 7.4 AMPS

NOTE #1: SEE A-8988
FOR ASSEMBLY DRAWING

WIRING DIAGRAM

| | | | |
|-----|----------|--|----------------|
| NO. | REVISION | MODELS: 200-HFT, 230V, 50HZ | |
| | | ALTO-SHAAM. MENOMONEE FALLS, WISC. 53052-450 | |
| 1 | 06/13/01 | BY: NW | SCALE: NONE |
| | | APP'D: JRM | DATE: 11/10/00 |
| | | DWG: A-7567 | |

HI-TEMP HEATING CABLE
EACH 70' 9" LONG, 48 OHMS
(CB-3015)

894W @ 208V, 4.3 AMPS (1 REQUIRED)
1008W @ 220V, 4.6 AMPS (1 REQUIRED)
1102W @ 230V, 4.8 AMPS (1 REQUIRED)
1200W @ 240V, 5.0 AMPS (1 REQUIRED)

LAMPS, 100W @ 230V, (LP-33783)

82W @ 208V, 393mA (6 REQUIRED)
91W @ 220V, 415mA (6 REQUIRED)
100W @ 230V, 435mA (6 REQUIRED)
109W @ 240V, 454mA (6 REQUIRED)

6x SOCKETS
EUROPEAN
(RP-3955)

PILOT
LIGHT
(LI-3025)

THERMOSTAT
(TT-3498)

LIGHT SWITCH
(SW-3616)

MODULAR BLOCK
ASSY
(BK-3021)

CTRL
BOX
GRND

POWER SWITCH
(SW-33487)

14/3 CORDSET
(CD-3551)

WELL
GRND

NOTE #1: SEE B-8987 FOR
WIRING ASSEMBLY DRAWING.

TOTAL POWER:

1386W @ 208V, 6.7 AMPS

1554W @ 220V, 7.1 AMPS

1704W @ 230V, 7.4 AMPS

1854W @ 240V, 7.7 AMPS

WIRING DIAGRAM

MODELS: 200-HFT, 208-240V, 50/60HZ

ALTO-SHAAM
MENOMONEE FALLS, WISC. 53052-450

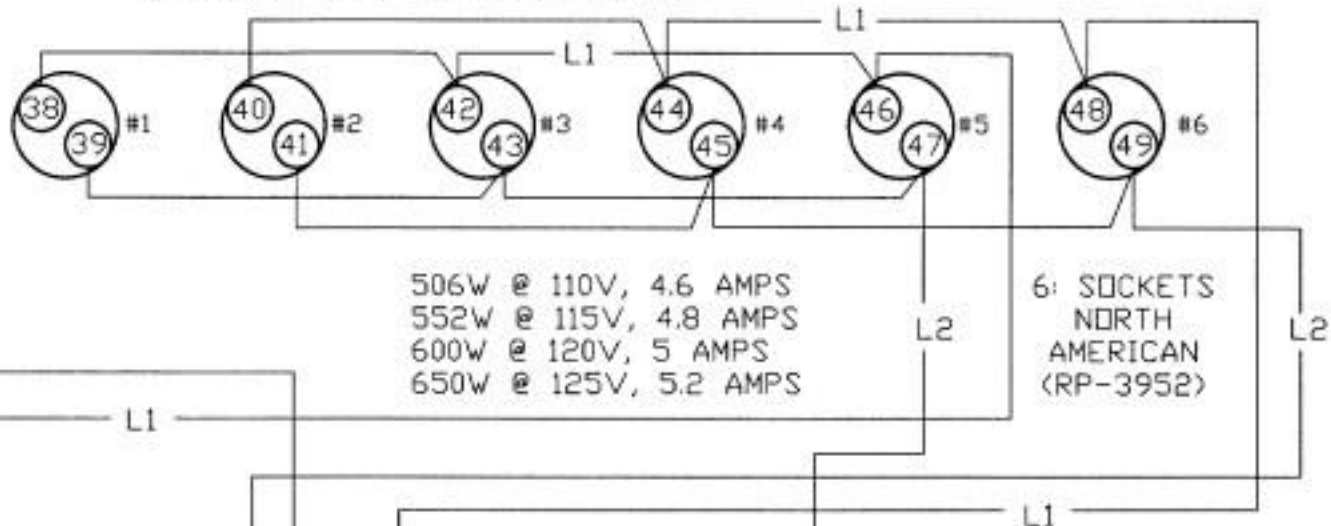
| | | |
|------------|----------------|-------------|
| BY: NWW | SCALE: NONE | DWG: A-7566 |
| APP'D: JRM | DATE: 11/10/00 | |

| | | | | | |
|---|----------|-----|-----|----------|----|
| 2 | 05/03/04 | CJB | NO. | REVISION | BY |
| 1 | 09/17/02 | CJB | | | |

HI-TEMP HEATING CABLE
2x 31' FEET, 21 OHMS EACH
(CB-3045)

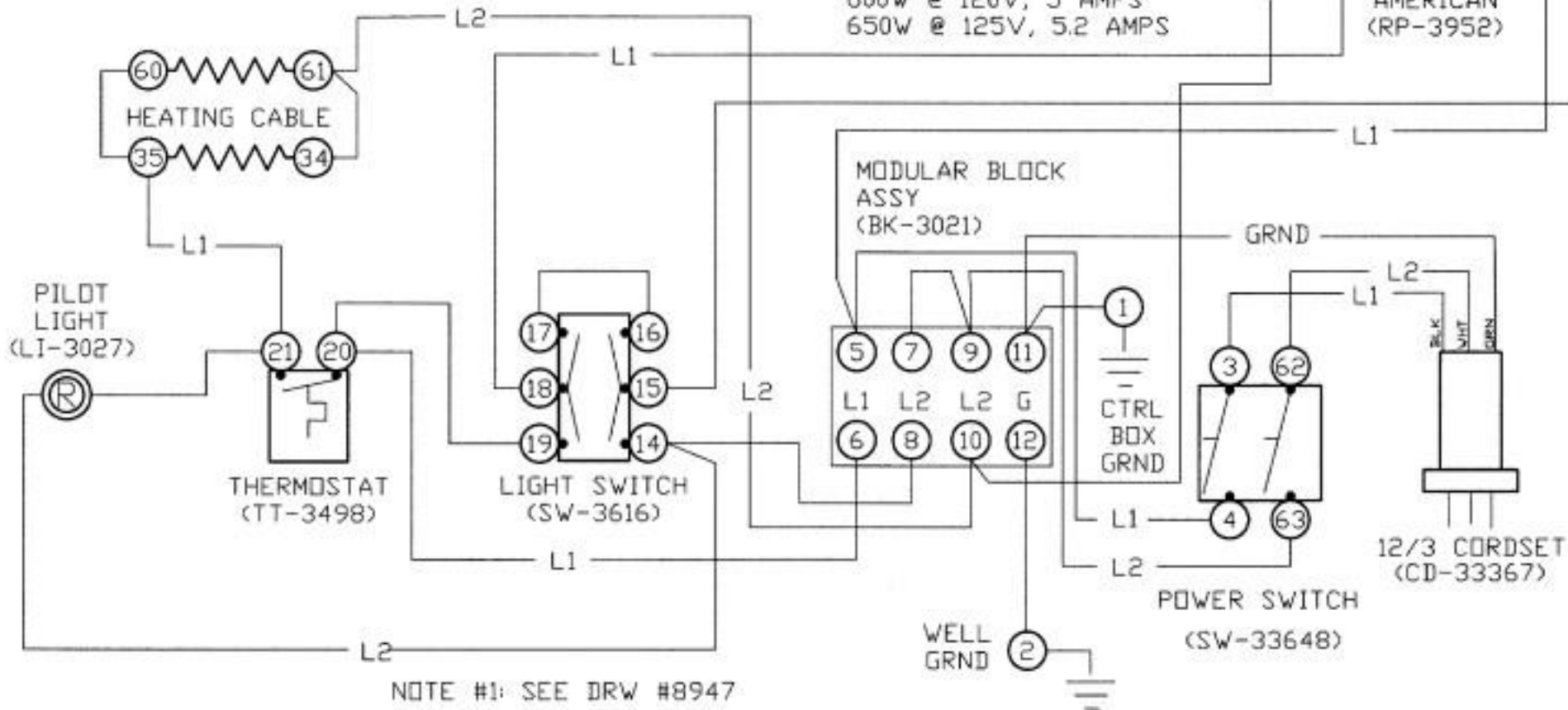
1150W @ 110V, 10.4 AMPS
1258W @ 115V, 10.9 AMPS
1368W @ 120V, 11.4 AMPS
1468W @ 125V, 11.7 AMPS

6x LAMPS, 130V, 100W, (LP-33592)



506W @ 110V, 4.6 AMPS
552W @ 115V, 4.8 AMPS
600W @ 120V, 5 AMPS
650W @ 125V, 5.2 AMPS

6x SOCKETS
NORTH
AMERICAN
(RP-3952)



NOTE #1: SEE DRW #8947
FOR WIRING
ASSEMBLY DRAWING.

TOTAL POWER:

1650W @ 110V, 15.0 AMPS
1818W @ 115V, 15.8 AMPS
1968W @ 120V, 16.4 AMPS
2118W @ 125V, 16.9 AMPS

WIRING DIAGRAM

MODELS: 200-HFT, 125V

ALTO-SHAAM
MENOMONEE FALLS, WISC. 53052-450

| NO. | REVISION | BY | DATE |
|-----|----------|----|------|
| 4 | 02/19/01 | NW | |
| 3 | 11/08/00 | NW | |
| 2 | 10/11/00 | NW | |
| 1 | 10/10/00 | NW | |

BY: NW SCALE: NONE DWG: A-7539
APP'D: JRM DATE: 07/17/00