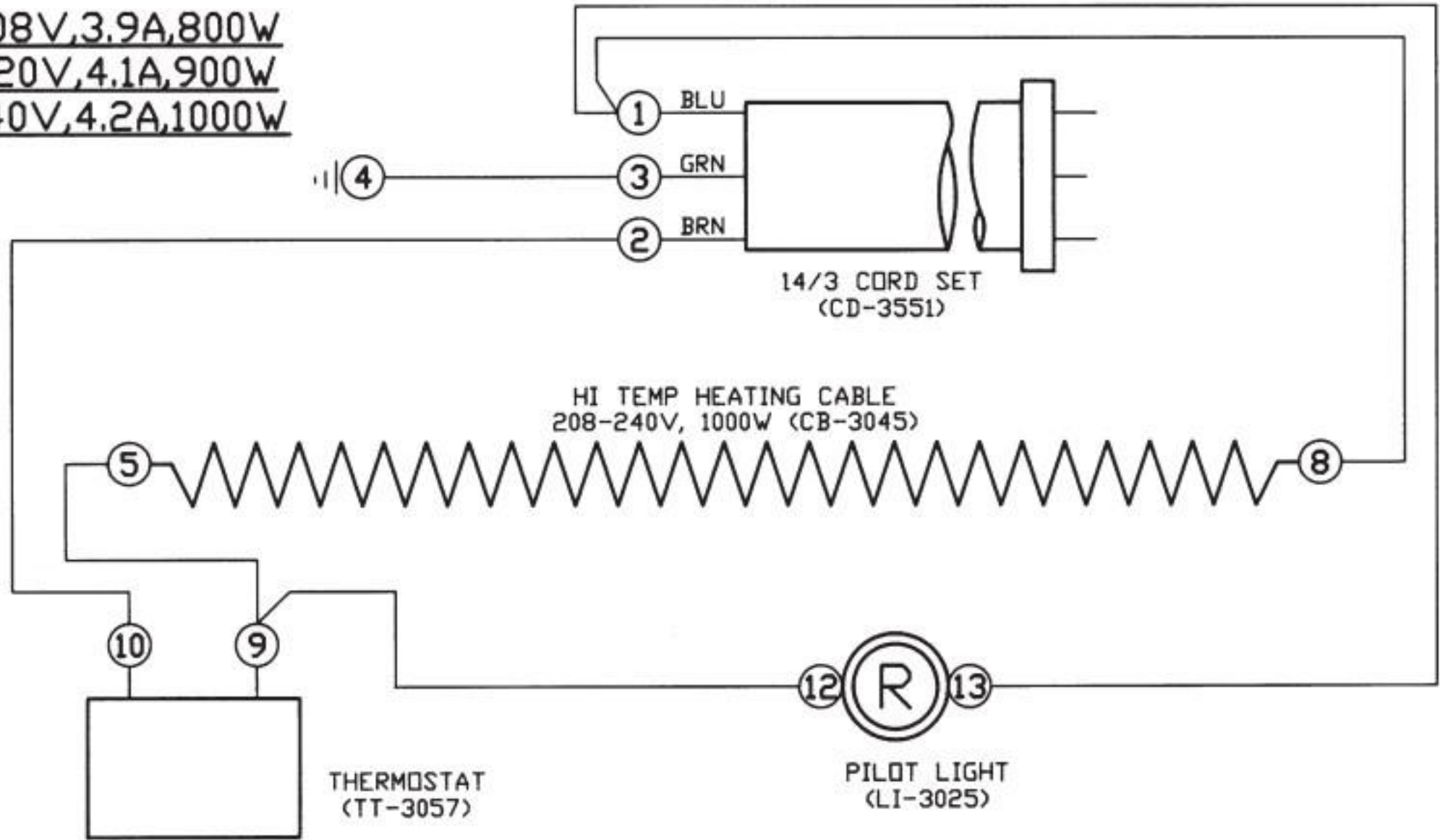


NOTE 1: ALL NUMBERS IN () =
ALTO-SHAAM PART NUMBERS

NOTE 2: SEE DRW. A-8205 FOR
WIRE ASSEMBLIES

REVISIONS			200-CT	(125V)
NO.	DATE	BY	WIRING DIAGRAM	
1	4-27-88	ALD	ALTO-SHAAM INC. MENDONNEE FALLS, WISCONSIN	
2			DRAWN BY ALD	SCALE 1"=1' DWG. NO.
3			APP'D <i>ALD</i>	DATE 8-20-86 A-7132
4				
5				

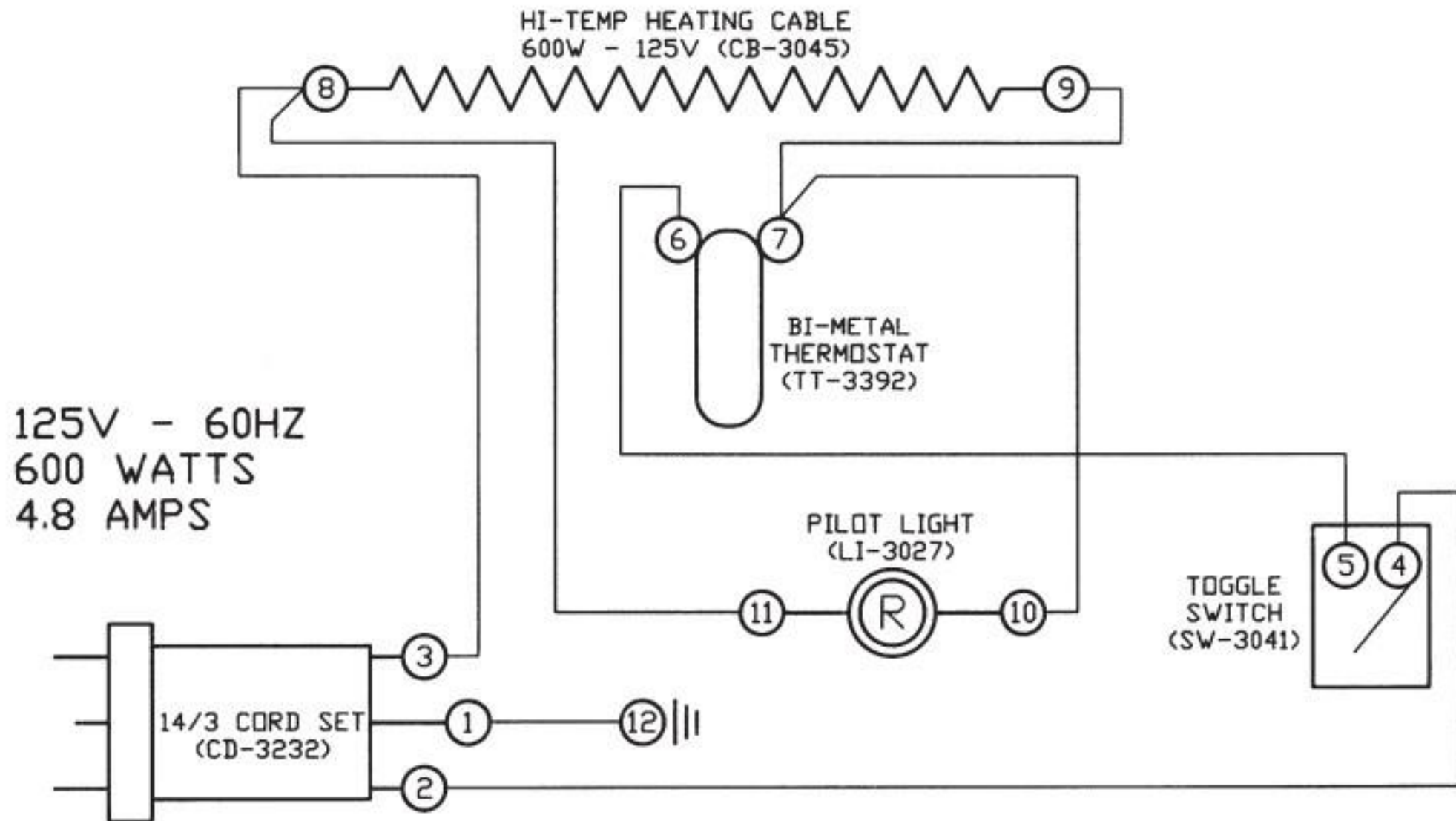
208V, 3.9A, 800W
220V, 4.1A, 900W
240V, 4.2A, 1000W



NOTE 1: ALL NUMBERS IN () = ALTO-SHAAM PART NUMBERS

NOTE 2: SEE DRW. A-8559 WIRE ASSEMBLIES

REVISIONS			200-CT	(208-240V)
NO.	DATE	BY	WIRING DIAGRAM	
1	4-27-88	ALD	ALTO-SHAAM INC.	
2			MENDOTA FALLS, WISCONSIN	
3			DRAWN BY ALD	SCALE 1"=1"
4			APP'D <i>ALD</i>	DATE 8-20-86
5			DWG. NO. A-7275	



NOTE 1 : ALL NUMBERS IN () = ALTO-SHAAM PART NUMBERS

NOTE 2 : SEE DRW #A-8354 FOR WIRE ASSEMBLIES

REVISIONS			200-CT/B.I.	125V	
NO.	DATE	BY	WIRING DIAGRAM		
1	9-11-89	ALD			
2			ALTO-SHAAM INC. MEMONEE FALLS, WISCONSIN		
3					
4			DRAWN BY DAR	SCALE 1"=1'	DWG. NO.
5			APP'D <i>DAR</i>	DATE 7/25/80	A-7168