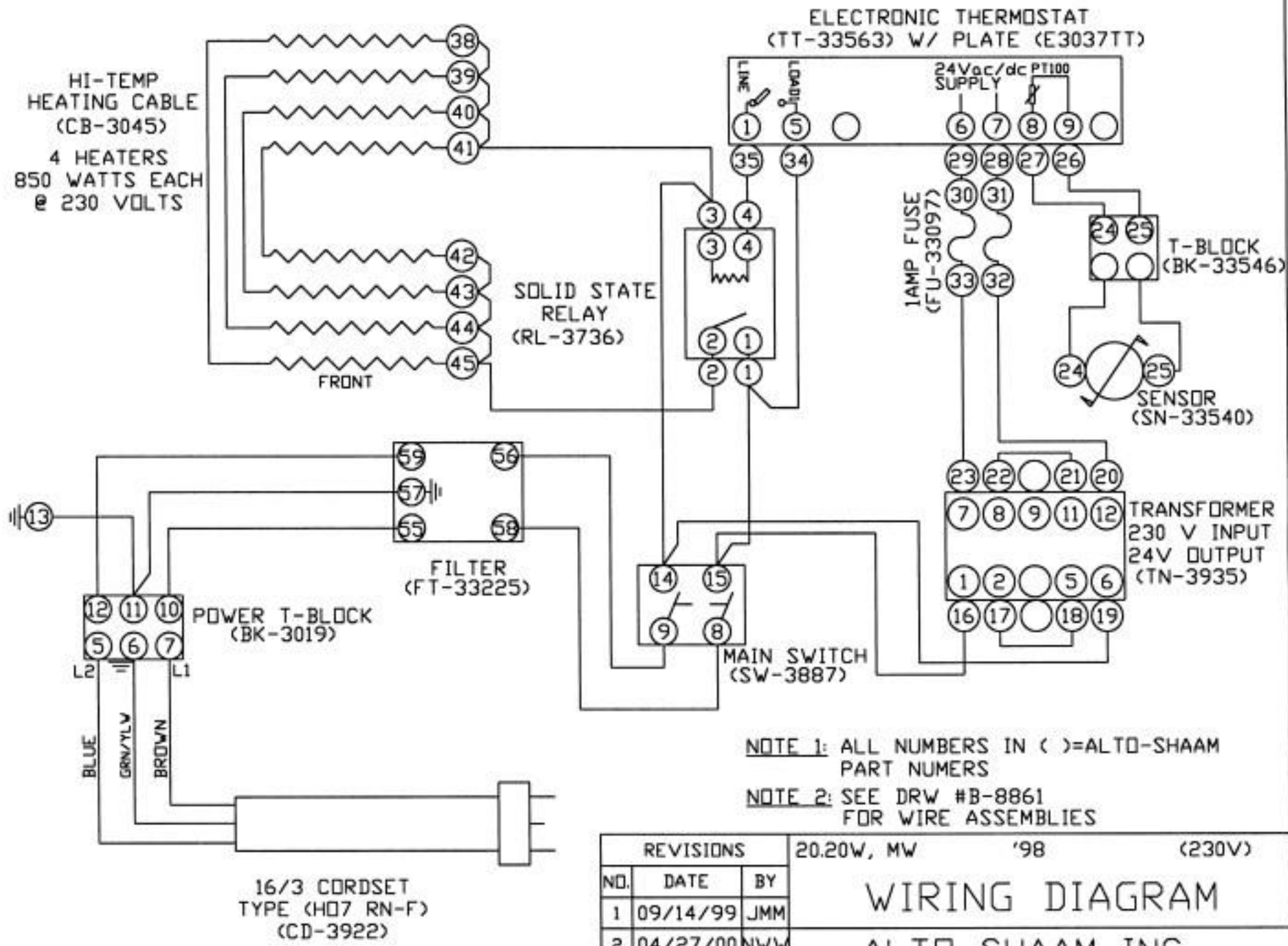


230V
50-60Hz
3400W
14.8A

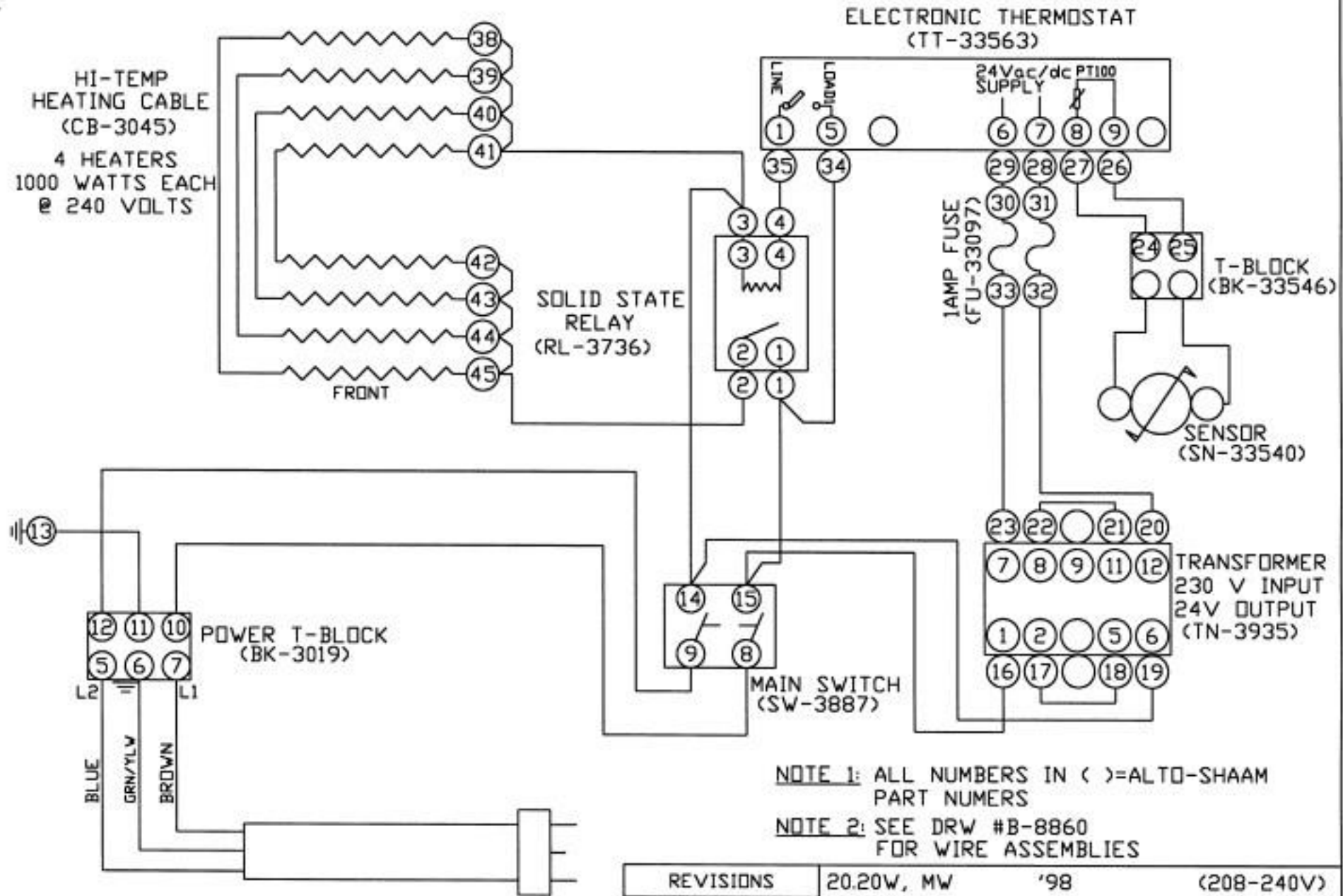


REVISIONS			20.20W, MW	'98	(230V)
ND.	DATE	BY	<p style="text-align: center;">WIRING DIAGRAM</p> <p style="text-align: center;">ALTO-SHAAM INC.</p> <p style="text-align: center;">MENDOTA FALLS, WISCONSIN</p>		
1	09/14/99	JMM			
2	04/27/00	NWW			
3					
4					
APP'D			MS	DATE 7/16/98	DWG. NO. A-7494

208-240V
 50-60Hz
 4000W
 16.7A

HI-TEMP HEATING CABLE (CB-3045)
 4 HEATERS 1000 WATTS EACH @ 240 VOLTS

208vac, 3000w, 14.4a
 220vac, 3400w, 15.5a
 240vac, 4000w, 16.7a



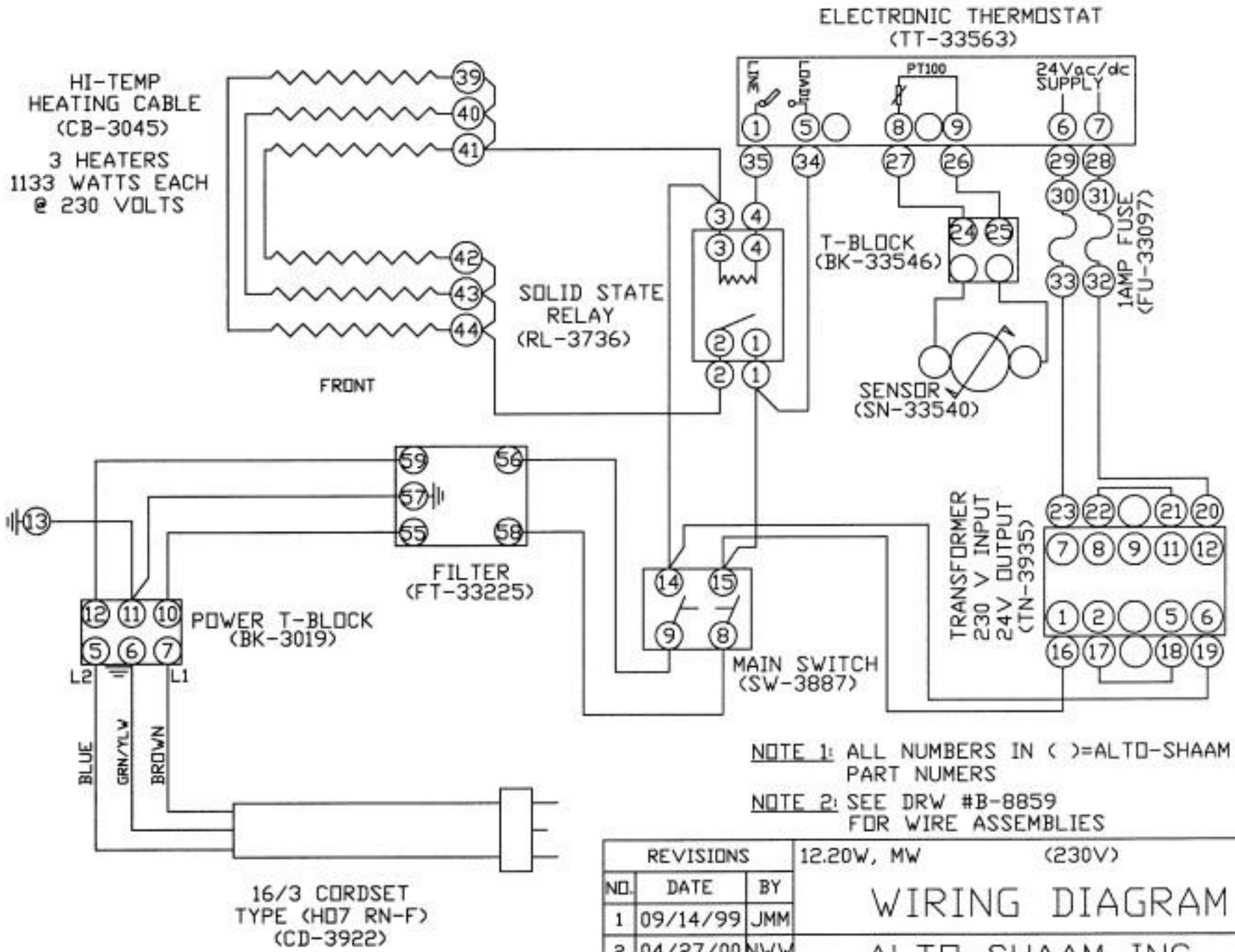
NOTE 1: ALL NUMBERS IN ()=ALTO-SHAAM PART NUMBERS
 NOTE 2: SEE DRW #B-8860 FOR WIRE ASSEMBLIES

14/3 CORDSET (CD-3588)
 20AMP, 250V

REVISIONS			20.20W, MW	'98	(208-240V)
NO.	DATE	BY	WIRING DIAGRAM		
1	09/14/99	JMM	ALTO-SHAAM INC. MENOMONEE FALLS, WISCONSIN		
2	04/27/00	NWW			
3			DRAWN BY TDR SCALE 1"=1" DWG. NO.		
4					
5			APP'D MS	DATE 7/16/98	A-7493

230V
 50-60Hz
 3400W
 14.8A

HI-TEMP HEATING CABLE (CB-3045)
 3 HEATERS
 1133 WATTS EACH @ 230 VOLTS



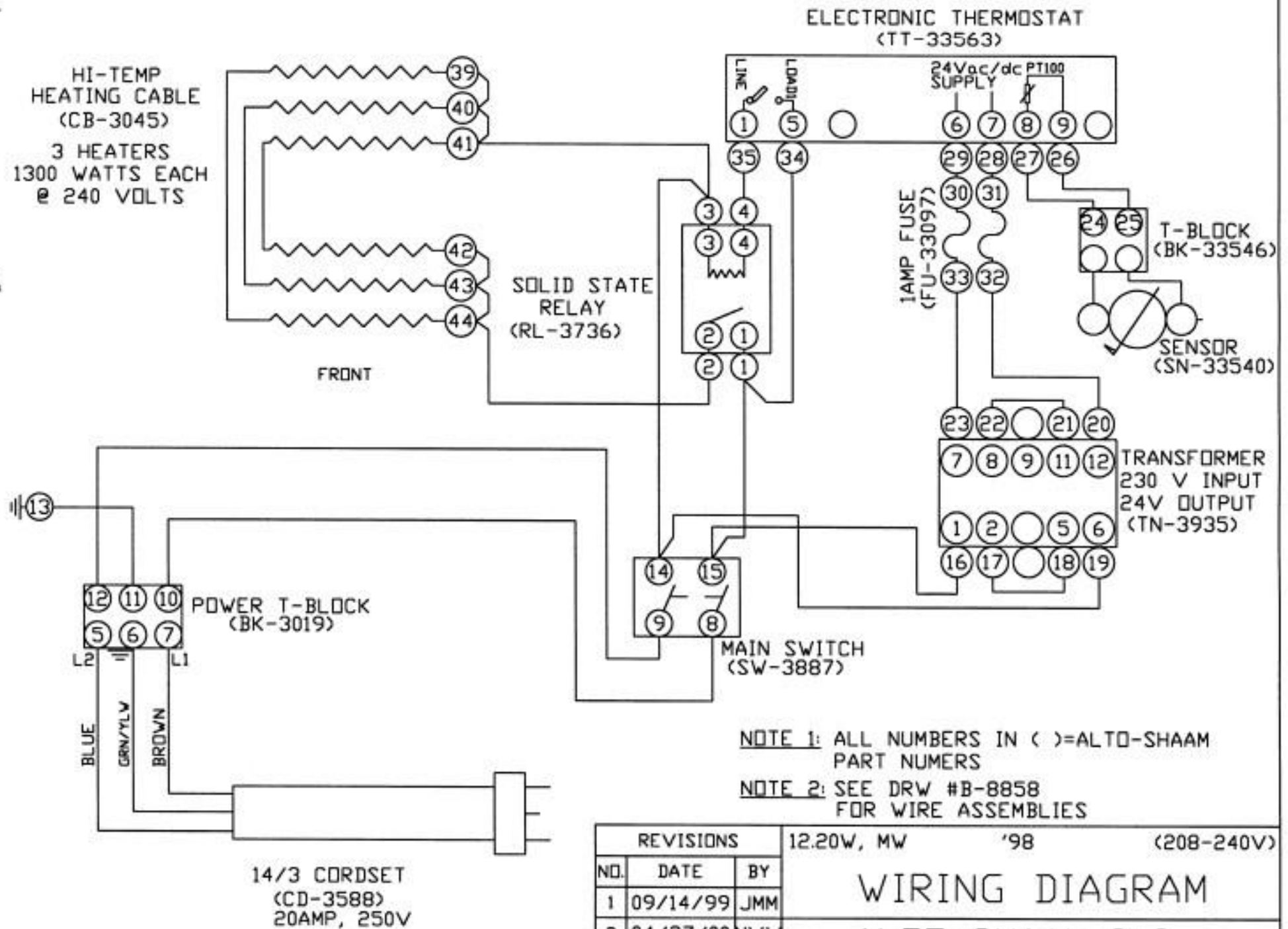
NOTE 1: ALL NUMBERS IN ()=ALTO-SHAAM PART NUMBERS
 NOTE 2: SEE DRW #B-8859 FOR WIRE ASSEMBLIES

REVISIONS			12.20W, MW	(230V)	'98
NO.	DATE	BY			
1	09/14/99	JMM	WIRING DIAGRAM ALTO-SHAAM INC. MENOMONEE FALLS, WISCONSIN		
2	04/27/00	NW			
3	05/29/03	CJB			
4			DRAWN BY TDR	SCALE 1"=1'	DWG. NO.
5			APP'D MS	DATE 7/16/98	A-7492

208-240V
 50-60Hz
 3900W
 16.25A

HI-TEMP
 HEATING CABLE
 (CB-3045)
 3 HEATERS
 1300 WATTS EACH
 @ 240 VOLTS

208vac, 3000w, 14.4a
 220vac, 3300w, 15.5a
 240vac, 3900w, 16.25a



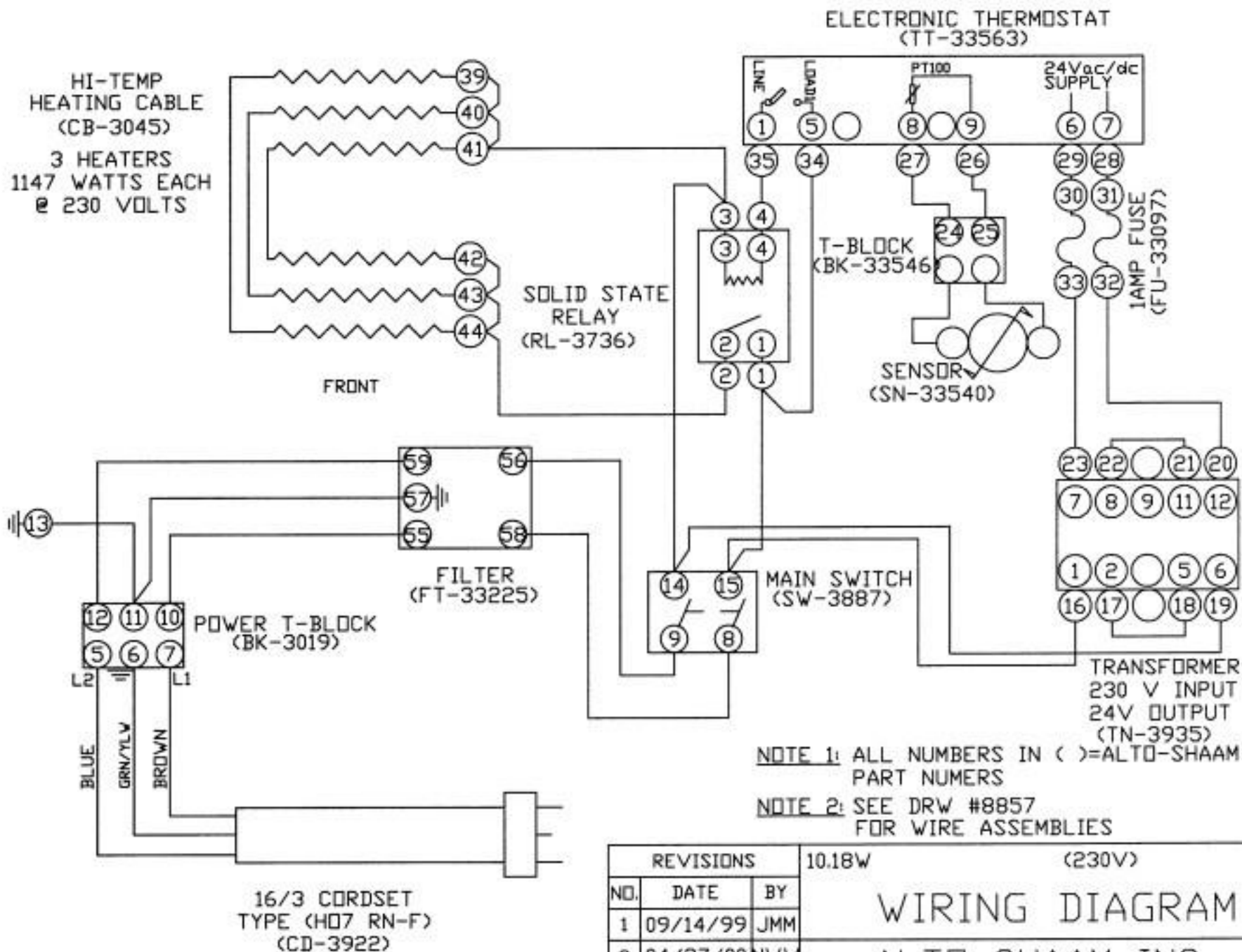
NOTE 1: ALL NUMBERS IN ()=ALTO-SHAAM
 PART NUMERS

NOTE 2: SEE DRW #B-8858
 FOR WIRE ASSEMBLIES

REVISIONS			12.20W, MW	'98	(208-240V)
NO.	DATE	BY			
1	09/14/99	JMM	WIRING DIAGRAM ALTO-SHAAM INC. MENOMONEE FALLS, WISCONSIN DRAWN BY TDR SCALE 1"=1" DWG. NO. APP'D MS DATE 7/16/98 A-7491		
2	04/27/00	NWW			
3					
4					
5					

230V
50-60Hz
3440W
14.7A

HI-TEMP
HEATING CABLE
(CB-3045)
3 HEATERS
1147 WATTS EACH
@ 230 VOLTS



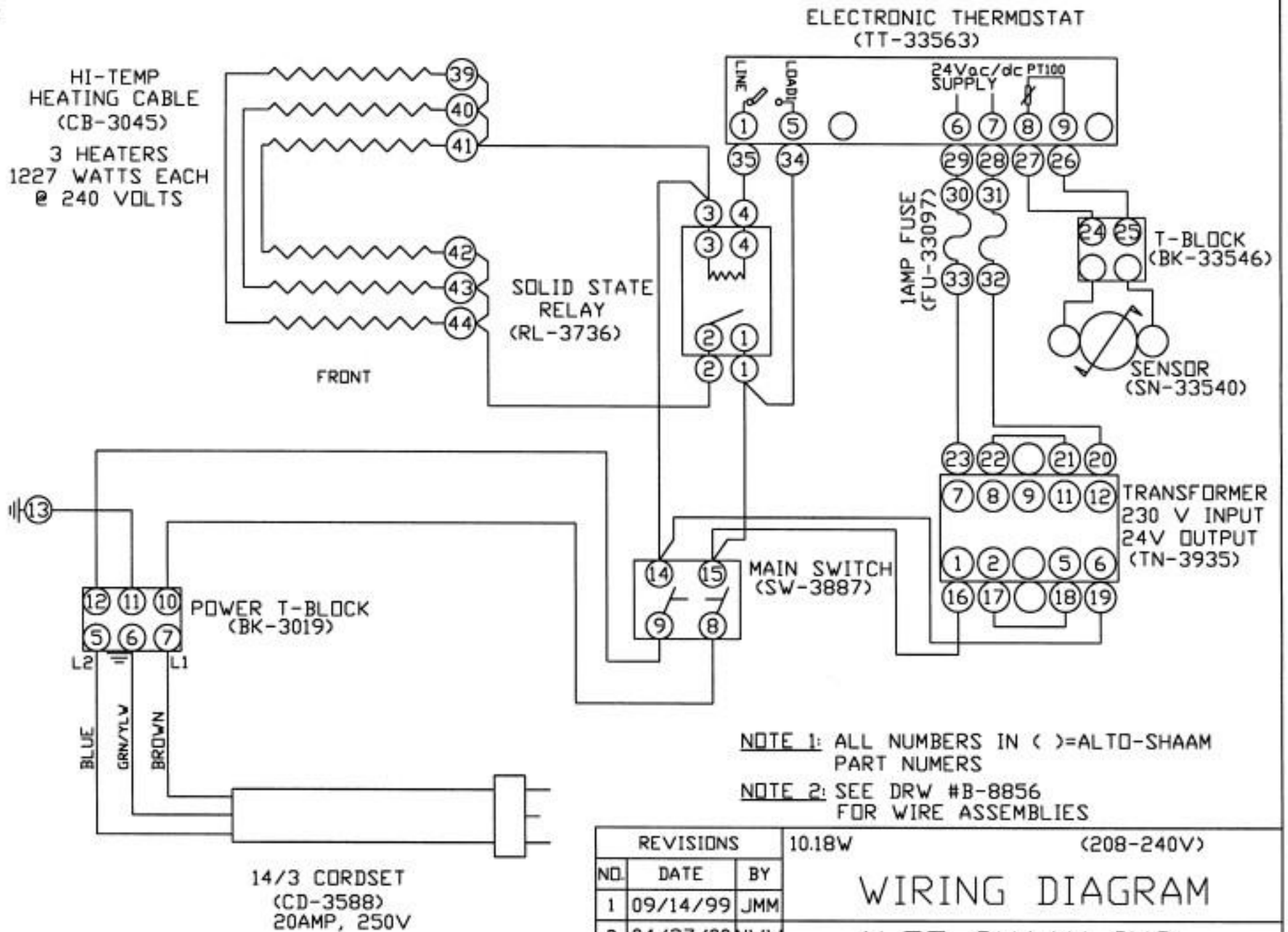
NOTE 1: ALL NUMBERS IN () =ALTO-SHAAM PART NUMERS
NOTE 2: SEE DRW #8857 FOR WIRE ASSEMBLIES

REVISIONS			10.18W	(230V)	'98
NO.	DATE	BY	WIRING DIAGRAM ALTO-SHAAM INC. MENOMONEE FALLS, WISCONSIN		
1	09/14/99	JMM			
2	04/27/00	NWW			
3	05/29/03	CJB			
4					
DRAWN BY TDR			SCALE 1"=1"	DWG. NO.	
APP'D MS			DATE 7/16/98	A-7490	

208-240V
50-60Hz
3680W
15.4A

HI-TEMP
HEATING CABLE
(CB-3045)
3 HEATERS
1227 WATTS EACH
@ 240 VOLTS

208vac, 2780w, 13.2a
220vac, 3130w, 14.0a
240vac, 3680w, 15.4a



NOTE 1: ALL NUMBERS IN ()=ALTO-SHAAM PART NUMERS

NOTE 2: SEE DRW #B-8856 FOR WIRE ASSEMBLIES

REVISIONS			10.18W	(208-240V)	
NO.	DATE	BY	WIRING DIAGRAM ALTO-SHAAM INC. MENOMONEE FALLS, WISCONSIN		
1	09/14/99	JMM			
2	04/27/00	NWW			
3					
4					
			DRAWN BY TDR	SCALE 1"=1"	DWG. NO.
			APP'D MS	DATE 7/16/98	A-7489