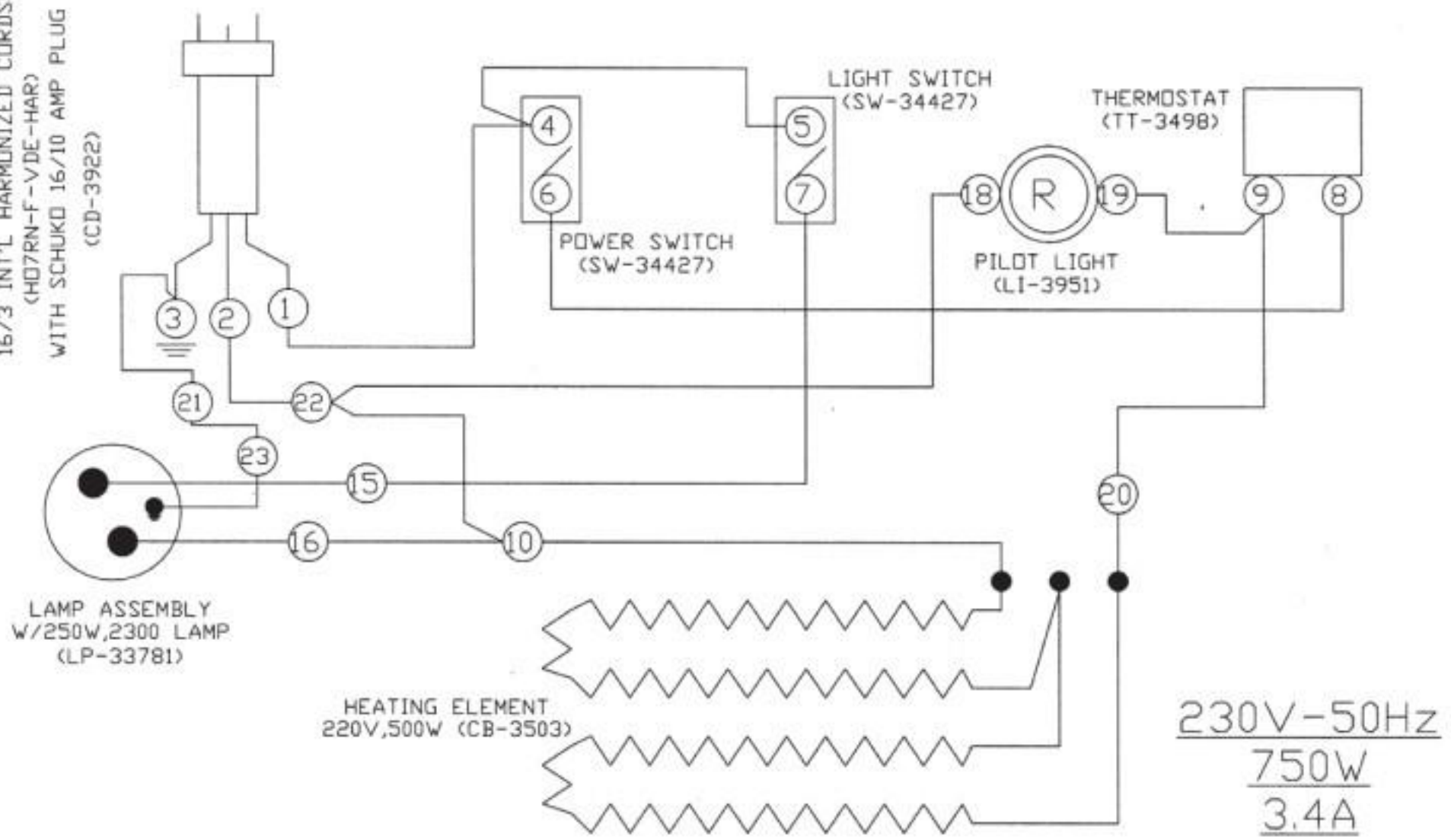


16/3 INT'L HARMONIZED CORDSET
(HD7RN-F-VDE-HAR)
WITH SCHUKO 16/10 AMP PLUG
(CD-3922)



LAMP ASSEMBLY
W/250W,2300 LAMP
(LP-33781)

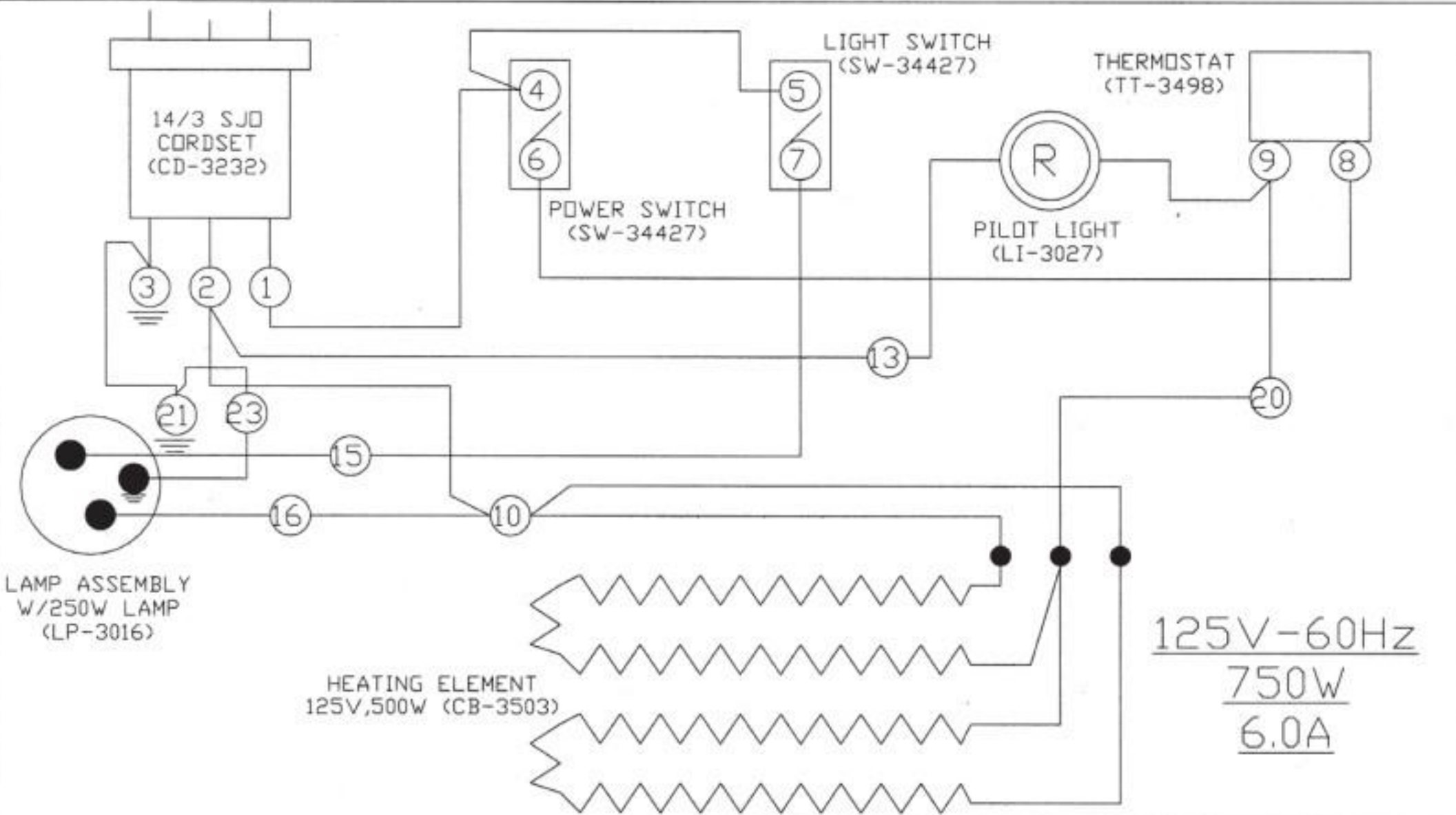
HEATING ELEMENT
220V,500W (CB-3503)

230V-50Hz
750W
3.4A

NOTE #1: ALL NUMBERS IN () = ALTO-SHAAM PART NUMBERS

NOTE #2: SEE DRW. #B-8506 FOR WIRE ASSEMBLIES

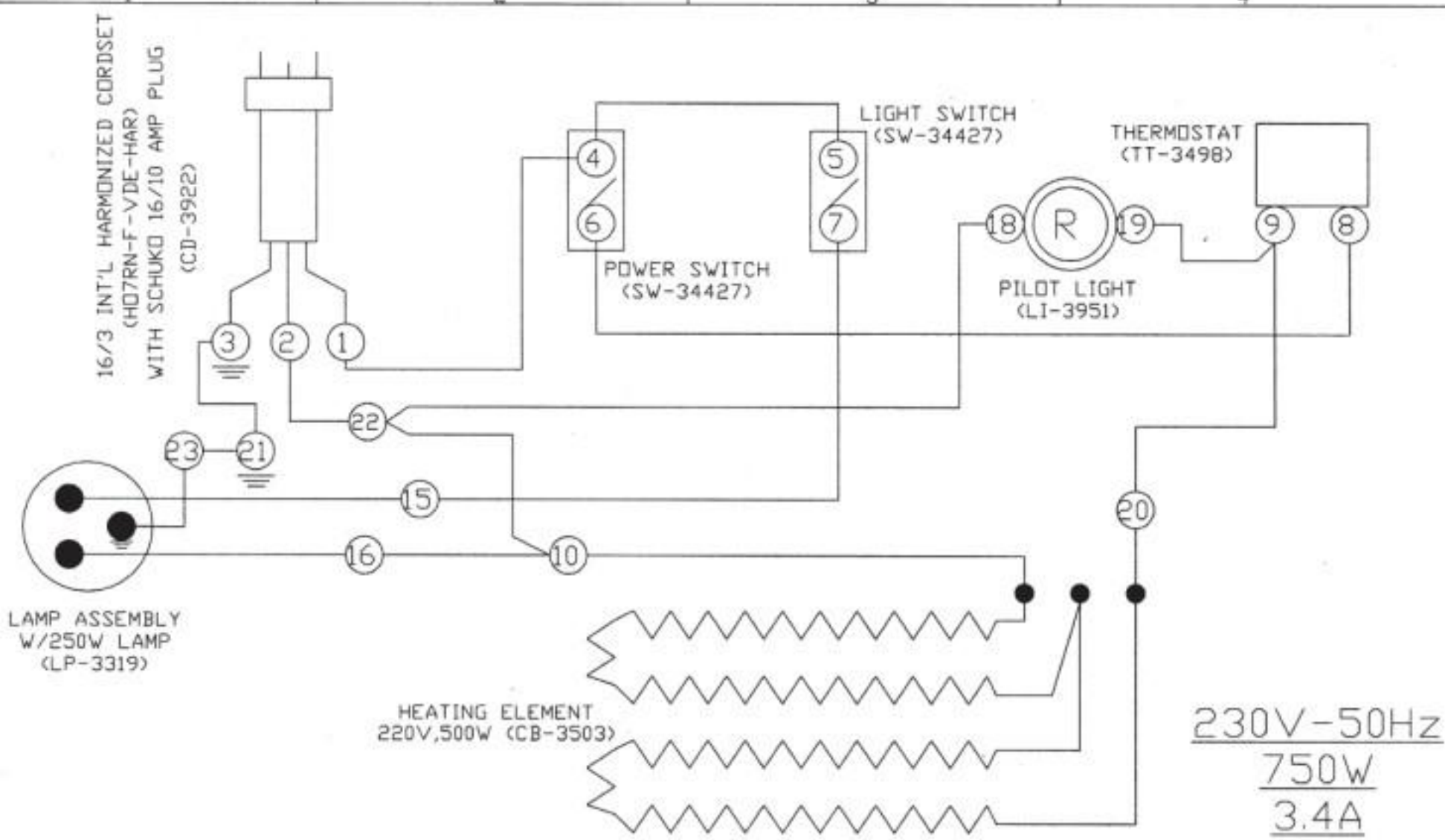
REVISIONS			100-HSL/TM MARINE (230V,50Hz)	
NO.	DATE	BY		
1	03/05/03	CJB	WIRING DIAGRAM	
2	3/22/07	BES		
3				
			ALTO-SHAAM INC. MENDOTA FALLS, WISCONSIN	
4			DRAWN BY NW	SCALE 1"=1"
5			APP'D PAR	DATE 10/05/01
			DWG. NO. A-7593	



NOTE #1: ALL NUMBERS IN () = ALTO-SHAAM PART NUMBERS

NOTE #2: SEE DRW. #B-8505 FOR WIRE ASSEMBLIES

REVISIONS			100-HSL/TM,CT-20		(125V,60Hz)	
NO.	DATE	BY				
2	07/11/86	ALD	<p style="text-align: center;">WIRING DIAGRAM</p> <p style="text-align: center;">ALTO-SHAAM INC.</p> <p style="text-align: center;">MENDOTA FALLS, WISCONSIN</p>			
3	11/25/97	RS				
4	07/18/02	DDF				
5	03/04/03	CJB				
6	3/22/07	BES				
			DRAWN BY ALD	SCALE 1"=1"	DWG. NO.	
			APP'D PED	DATE 7-2-85	A-7249	



WIRING DIAGRAM

MODELS: 100-HSL/TM, /TM/A, CT-20

ALTO-SHAAM.
MENOMONEE FALLS, WISC. 53052-450

NO.	REVISION	BY
1	07/11/86	ALD
2	11/25/97	RS
3	07/18/02	DDF
4	02/27/03	DDF
5	05/22/03	CJB
6	3/22/07	BES

BY: ALD SCALE: NDNE DWG: A-7250
APP'D: DDF DATE: 07/03/85

NOTE #1: ALL NUMBERS IN () = ALTO-SHAAM PART NUMBERS
NOTE #2: SEE DRW. #B-8506 FOR WIRE ASSEMBLIES