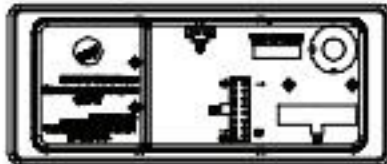


POWER SUPPLY
120VAC/1-PHASE
50/60HZ, 2W+G

SEE TABLE FOR
ELEC RATING
PER MODEL

⑤ POWER CORD
14/3 SJTO

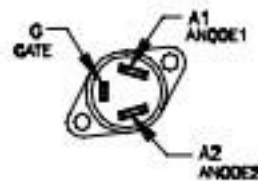
LEGEND



CONNECTOR PIN ASSIGNMENTS

- 1: BREW WARMER
- 2: FRONT WARMER
- 3: REAR WARMER
- 4: INLET VALVE
- 5: DUMP VALVE
- 6: GATE, TRIAC
- 7: TRIAC A2
- 8: 120V HOT (BLK)
- 9: SENSOR
- 10: SENSOR
- 11: GROUND
- 12: LEVEL PROBE
- 13: N/A
- 14: N/A
- 15: N/A
- 16: NEUTRAL (WHT)

TRIAC PIN ASSIGNMENTS



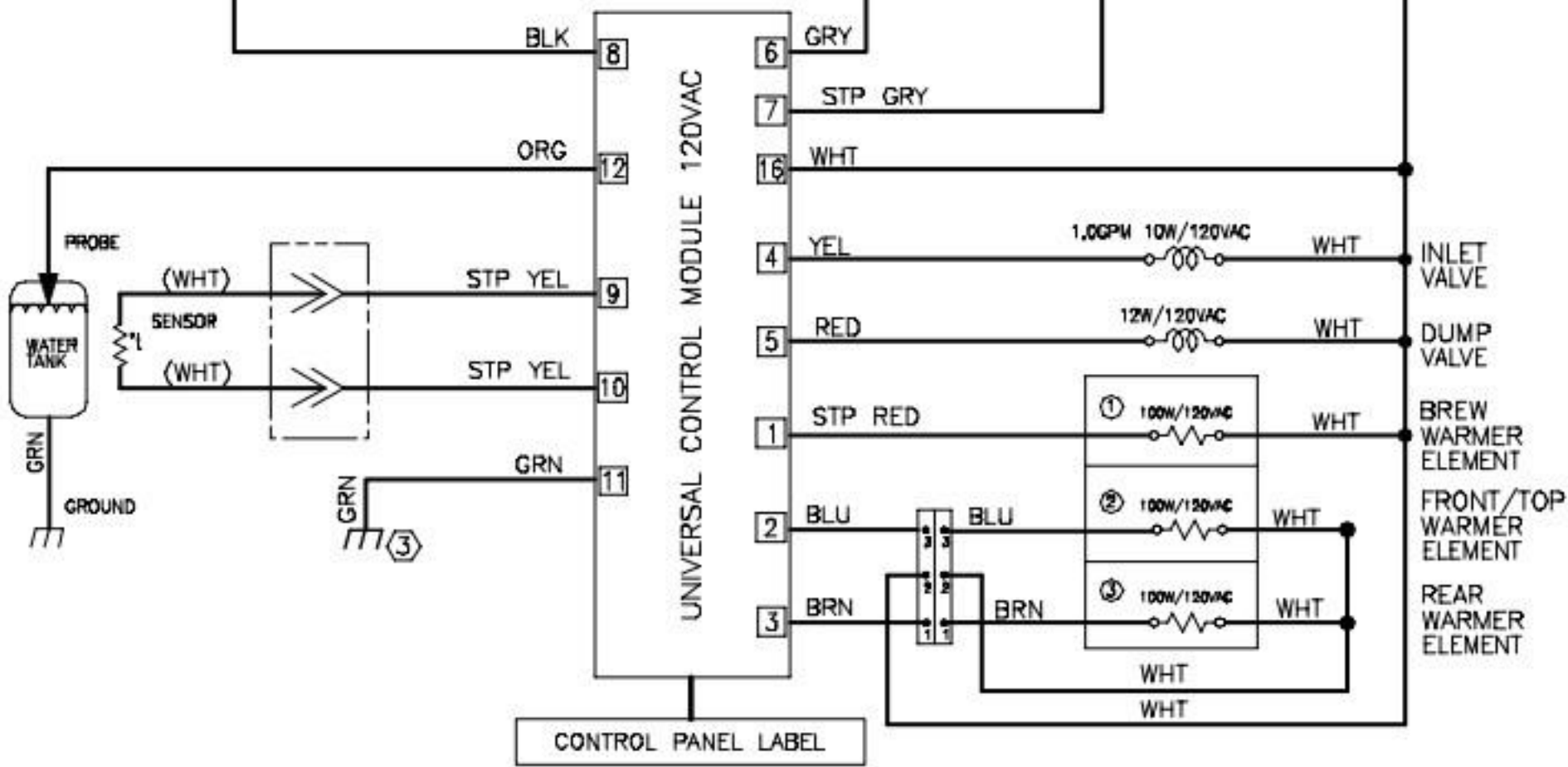
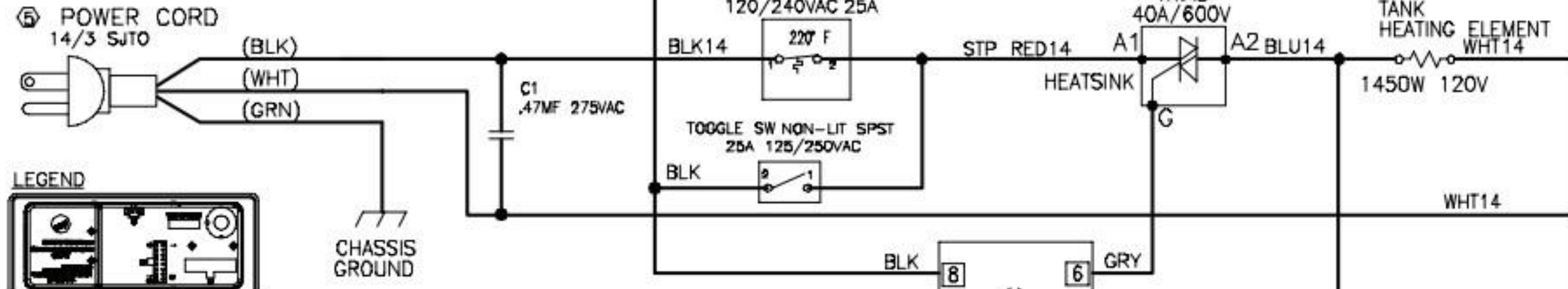
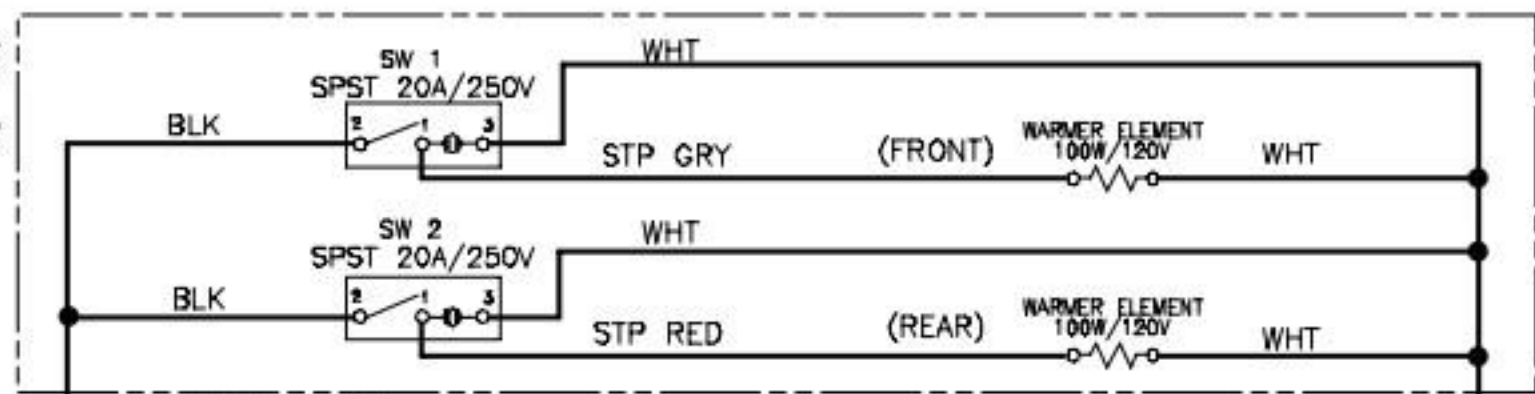
ELECTRICAL RATING TABLE

MACHINE	WARMER ELEMENT			TOTAL POWER (WATTS)	TOTAL CURRENT (AMPERES)
	WARMER ①	WARMER ②	WARMER ③		
ALPHA-1GT	●			1800	13.3
ALPHA-2GT	●	●		1700	14.2
ALPHA-3GT	●	●	●	1800	15
ALPHA-3GTL	●	●	●	1800	15
ALPHA-3GTR	●	●	●	1800	15
ALPHA-5GT	●	●	●	1950	16.3 ⑤
ALPHA-5GTL	●	●	●	1950	16.3 ⑤
ALPHA-5GTR	●	●	●	1950	16.3 ⑤

ELECTRICAL RATING TABLE CANADIAN UNITS

MACHINE	WARMER ELEMENT			TOTAL POWER (WATTS)	TOTAL CURRENT (AMPERES)
	WARMER ①	WARMER ②	WARMER ③		
ALPHA-1GT	●			1300	10.83
ALPHA-2GT	●	●		1400	11.66
ALPHA-3GT	●	●	●	1500	12.5
ALPHA-3GTL	●	●	●	1500	12.5
ALPHA-3GTR	●	●	●	1500	12.5
ALPHA-5GT	●	●	●	1700	14.16 ⑤
ALPHA-5GTL	●	●	●	1700	14.16 ⑤
ALPHA-5GTR	●	●	●	1700	14.16 ⑤

USED FOR
ALPHA-5GT/
5GTL/5GTR



- ⑤ FOR ALPHA-5GT MODELS USE 5 STATION 50A/800V POWER BLOCK INSTEAD OF POWER CORD, EXCEPTION UNITS USING WC-1223 POWER CORD.
 - 4 USE THIS DIAGRAM FOR ALL OTHER MODELS WITH ADDED PREFIX LETTERS AND/OR DIFFERENT DASH NUMBER ON THEIR PART NUMBERS HAVING THE SAME ELECTRICAL RATINGS, Ex: 50ALPHA-3GT-10 and/or ALPHA-3GT-12-01.
 - ③ INSTALL A GROUND WIRE ASSEMBLY FROM THE HARNESS TO THE SEPARATE GROUND STUD ON TANK.
 - 2. DO NOT CHANGE NOR SUBSTITUTE WIRE COLORS.
 - 1. ALL WIRES SHALL BE 22 AWG.
- NOTES: UNLESS OTHERWISE SPECIFIED

VOLTAG: 120 V	TITLE: LADDER DIAGRAM
WATTAGE: SEE TABLE	ALPHA-GT-10 120V
AMPERES: SEE TABLE	PART NUMBER: LD-ALPHAGT-10
HERTZ: 50/60 HZ	REVISION: G
WRES: 2W + G	
PHASE: 1 PH	