

easy compact wiring diagrams

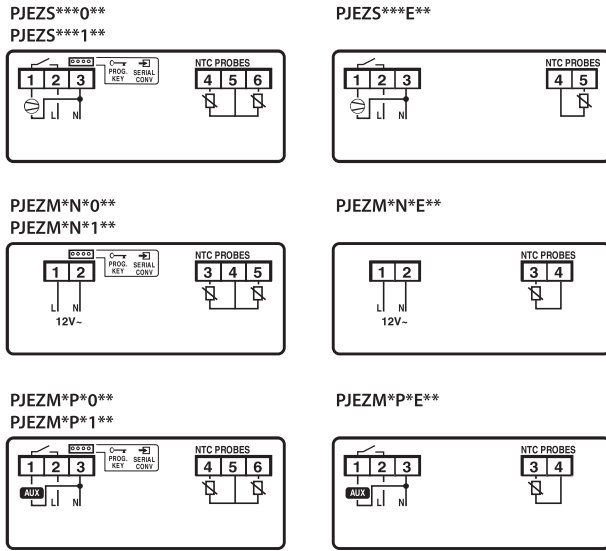


Fig. 2.f

easy split wiring diagram

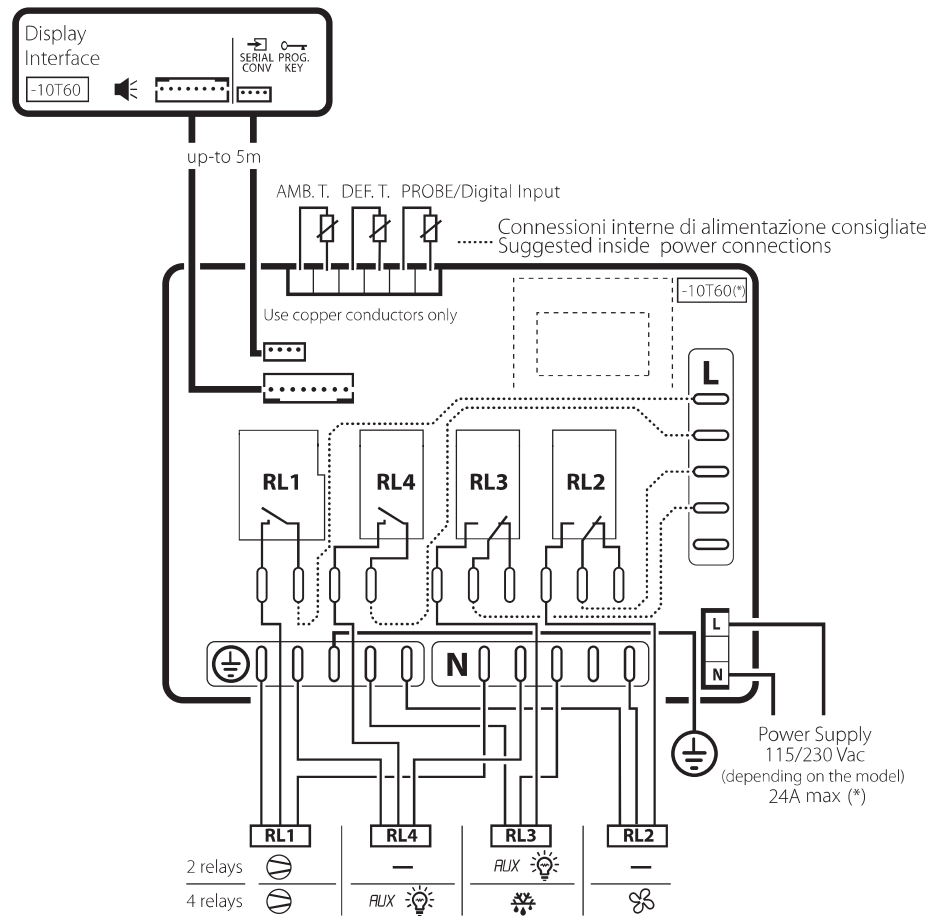


Fig. 2.g

(*) For codes PJEZ*8**5* the temperature range is -10T50 °C and the maximum current is 16 A. See the table of technical specifications.

----- = recommended internal power supply connections.