

Heated Display Cabinet

Models DCH-500, DCH-800, & DCH-1000
owner's manual

Manufacturing Numbers:

9500640, 9500650 & 9500720

CONTENTS

General	2
Warranty	
Information	2
Service/Technical Assistance	2
Important Safety Information	3
Warnings	3
Specifications	4
Dimensions	4
Electrical Ratings	4
Installation	5
Unpacking	5
Equipment Setup	5
Operations and Programming	6
Maintenance	6
Daily Cleaning	6
Display Codes	7
Troubleshooting	8
Replacement Parts DCH-500	9
Replacement Parts DCH-800	11
Replacement Parts DCH-1000	13
Notes	15

GENERAL

This manual provides the safety, installation, and operating procedures for your toaster. Please read all of the information contained in this manual prior to installing and operating the toaster.

This product is manufactured from the finest materials available and is assembled to Roundup's strict quality standards. This toaster was tested at the factory to ensure dependable trouble-free operation.

WARRANTY INFORMATION

Please read the full text of the Limited Warranty in this manual.

If the unit arrives damaged, contact the carrier immediately and file a damage claim with them. Save all packing materials when filing a claim. Freight damage claims are the responsibility of the purchaser and are not covered under warranty.

The warranty does not extend to:

- Damages caused in shipment or damage as result of improper use.
- Installation of electrical service.
- Normal maintenance as outlined in this manual.
- Malfunction resulting from improper maintenance.
- Damage caused by abuse or careless handling.
- Damage from moisture into electrical components.
- Damage from tampering with, removal of, or changing any preset control or safety device.

SERVICE/TECHNICAL ASSISTANCE

If you experience any problems with the installation or operation of your system, contact Antunes at 1-630-784-1000, or toll free in the United States at 1-800-253-2991.

Fill in the information in the next column and have it handy when calling for assistance. The serial number is on the specification plate located on the system.

Purchased From

Date of Purchase

Model Number

Serial Number

Mfg. Number

Use only genuine Antunes replacement parts in this unit. Use of replacement parts other than those supplied by the manufacturer will void the warranty. Your Authorized Service Agency has been factory trained and has a complete supply of parts for this unit.

IMPORTANT

A.J. Antunes & Co. reserves the right to change specifications and product design without notice. Such revisions do not entitle the buyer to corresponding changes, improvements, additions or replacements for previously purchased equipment.

IMPORTANT

Keep these instructions for future reference. If the unit changes ownership, be sure this manual accompanies the equipment.

IMPORTANT SAFETY INFORMATION

Use the following guidelines for safe operation of the unit.

- Read all instructions before using equipment.
- For your safety, the equipment is furnished with a properly grounded cord connector. Do not attempt to defeat the grounded connector.
- Install or locate the equipment only for its intended use as described in this manual. Do not use corrosive chemicals in this equipment.
- Do not operate this equipment if it has a damaged cord or plug, if it is not working properly, or if it has been damaged or dropped.
- This equipment should be serviced by qualified personnel only. Contact your nearest Authorized Service Agency for adjustment or repair.
- Do not block or cover any openings on the unit.
- Do not immerse cord or plug in water.
- Keep cord away from heated surfaces.
- Do not allow cord to hang over edge of table or counter.
- Turn the power off, unplug the power cord, and allow unit to cool down before performing any service or maintenance on the unit.
- The equipment should be grounded according to local electrical codes to prevent the possibility of electrical shock. It requires a grounded receptacle with separate electrical lines, protected by fuses or circuit breaker of the proper rating.
- All electrical connections must be in accordance with local electrical codes and any other applicable codes.
- Do not clean this appliance with a water jet.

WARNINGS

Be advised of the following warnings when operating and performing maintenance on this unit.

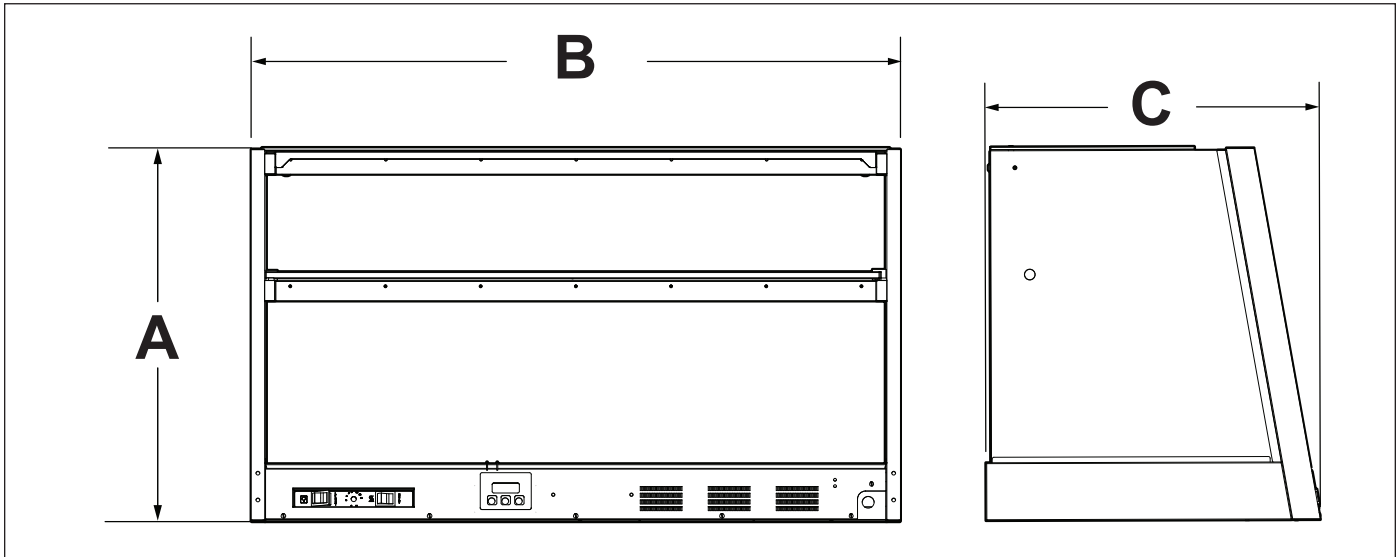
- If the supply cord is damaged, it must be replaced by the manufacturer or its service agent or a similarly qualified person in order to avoid a hazard.
- Do not modify the power supply cord plug. If it does not fit the outlet, have a proper outlet installed by a qualified electrician.
- Do not use an extension cord with this appliance.
- Electrical ground is required on this appliance.
- Check with a qualified electrician if you are unsure if the appliance is properly grounded.
- If a chemical cleaner is used, be sure it is safe to use on cast aluminum. Observe all precautions and warnings on product label.
- Inspection, testing, and repair of electrical equipment should only be performed by qualified service personnel.
- Do not use abrasive materials. The use of these may cause damage to the stainless steel finish.
- Chlorides or phosphates in cleaning agents (e.g. bleach, sanitizers, degreasers or detergents) could cause permanent damage to stainless steel equipment. The damage is usually in the form of discoloration, dulling of metal surface finish, pits, voids, holes, or cracks. This damage is permanent and not covered by warranty.

The following tips are recommended for maintenance of your stainless steel equipment:

- Always use soft, damp cloth for cleaning, rinse with clear water and wipe dry. When required, always rub in direction of metal polish lines.
- Routine cleaning should be done daily with soap, ammonia detergent, and water.
- Stains and spots should be sponged using a vinegar solution.
- Finger marks and smears should be rubbed off using soap and water.
- Hard water spots should be removed using a vinegar solution.

SPECIFICATIONS

Dimensions



Model & Mfg. No.	A Height	B Width	C Depth
DCH-500 9500720	28" (711 mm)	23.75" (603.25 mm)	25" (635 mm)
DCH-800 9500650	28" (711 mm)	37.75" (958.8 mm)	25" (635 mm)
DCH-1000 9500640	28" (711 mm)	47.75" (1212.8 mm)	25" (635 mm)

Electrical Ratings

Model & Mfg. No.	Volts	Watts	Amps	Hertz	Plug Description
DCH-500 9500720	120	500	4.16	50/60	NEMA 5-15P, 15 Amp., 120 Volt
DCH-800 9500650	120	800	6.6	50/60	
DCH-1000 9500640	120	1000	8.3	50/60	

INSTALLATION

Unpacking

1. Remove unit and all packing materials from shipping carton.
2. Open the large box. Remove all packing materials and protective coverings from the unit and parts.

NOTE: If any parts are missing or damaged, contact A.J. Antunes & Co. IMMEDIATELY at 1-800-253-2991 (toll free in the U.S. and Canada) or at 630-784-1000.

3. Clean all glass components with an approved glass cleaner. Wipe all stainless steel areas of the unit with a hot damp cloth.

NOTE: Do NOT use a dripping wet cloth. Wring out before use.

4. Place the unit where required.

Equipment Setup

When placing the unit into service, pay attention to the following guidelines.

- Make sure power is off and the unit is at room temperature.
- Do NOT block or cover any openings on the unit.
- Do NOT immerse cord or plug in water.
- Keep cord away from heated surfaces.
- Do NOT allow cord to hang over edge of table or counter.
- Place unit on a sturdy, level table or work surface.

Ensure that the line voltage corresponds to the stated voltage on the unit specification label.

Ensure the power to the unit is turned off before plugging in the power cord.

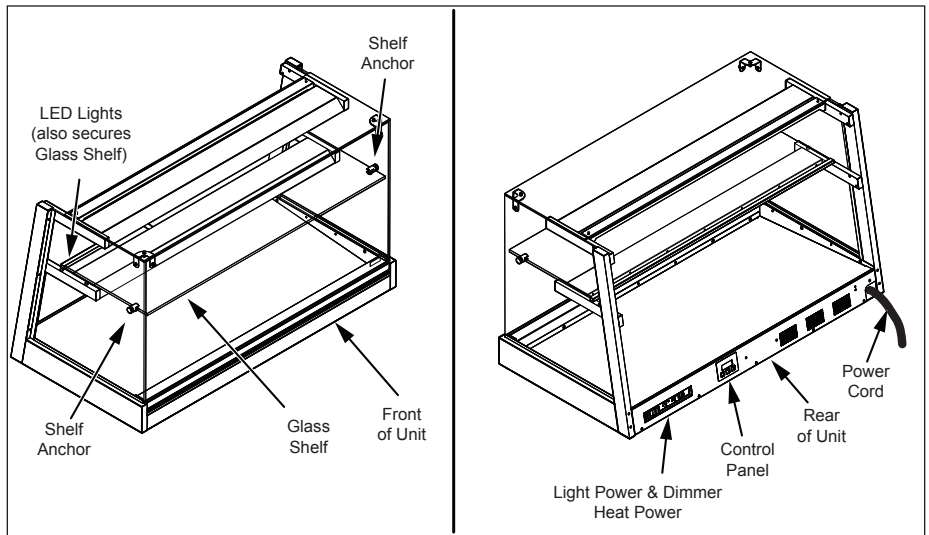


Figure 1. DCH-1000 Components

CAUTION

All electrical connections must be in accordance with local electrical codes and any other applicable codes.

WARNING

- **ELECTRICAL SHOCK HAZARD.** Failure to follow the instructions in this manual could result in serious injury or death.
- Electrical ground is required on this appliance.
- Do NOT modify the power supply cord plug. If it does not fit the outlet, have a proper outlet installed by a qualified electrician.
- Do NOT use an extension cord with this unit.
- The unit should be grounded according to local electrical codes to prevent the possibility of electrical shock. It requires a grounded receptacle with separate electrical lines, protected by fuses or circuit breaker of the proper rating.
- Check with a qualified electrician if you are unsure if the appliance is properly grounded.

OPERATIONS AND PROGRAMMING

The DCH-800 and DCH-1000 is designed to temporarily slow the cooling of food.

NOTE: This unit has an adjustable temperature range of 150-165° F (66-74° C).

NOTE: The Setpoint temperature is the desired cabinet temperature setting. When the Temp UP button is pressed and held (and provided that the unit is up to temperature), the actual cabinet temperature is displayed. When the button is released, the Setpoint temperature is displayed.

1. Turn the Heat rocker switch ON (Figure 2). The display flashes "LO" to indicate that the unit is heating up. After 20-30 minutes (when the unit is up to temperature), the display will show the setpoint temperature.
2. Turn the Light rocker switch to turn on the LED lights and illuminate product. Use the Light Dimmer Knob to adjust the brightness of the lights. 1 is the lowest setting and 10 is the highest setting.
3. To adjust the setpoint temperature, press and hold the **Temp Up** and **Temp Down** buttons until the display begins to flash. Release the buttons. Then, press the **Temp Up** or **Temp Down** buttons to raise or lower the setpoint temperature. Release when the display shows the desired temperature.
4. To change the display from Fahrenheit to Celsius and back, press and hold the **Temp Scale** button (Figure 3) for 2-3 seconds and release.
5. Load product into the display.

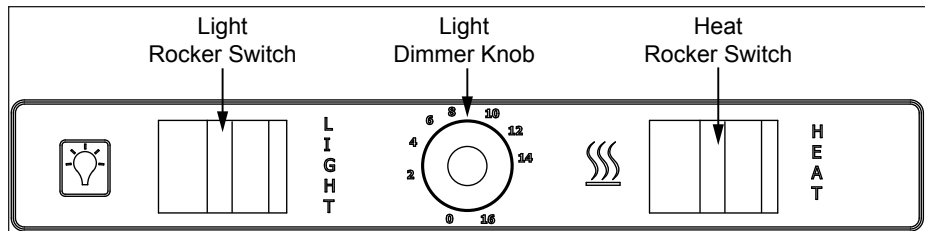


Figure 2. DCH-1000 Turning on Heat and Lights

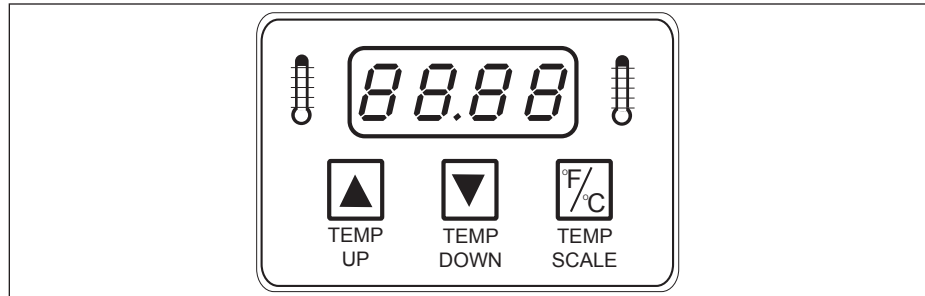


Figure 2. DCH-1000 Control Panel

MAINTENANCE

CAUTION

Chlorides or phosphates in cleaning agents (e.g. bleach, degreasers or detergents) could cause permanent damage to stainless steel equipment. The damage is usually in the form of discoloration, dulling of metal surface finish, pits, voids, holes or cracks. This damage is permanent and NOT covered by warranty. The following tips are recommended for maintenance of your stainless steel equipment:

- Always use soft, damp cloth for cleaning, rinse with clear water and wipe dry. When required, always rub in direction of metal polish lines.
- Routine cleaning should be done daily using soap, ammonia detergent and water.
- Stains and spots should be removed using a vinegar solution.
- Finger marks and smears should be removed using soap and water.
- Hard water spots should be removed using a vinegar solution.

WARNING

Turn the power off, unplug the power cord, and allow the unit to cool down before performing any service or maintenance.

WARNING

Do NOT use abrasive cleansers or materials. The use of these may cause damage to the stainless steel finish.

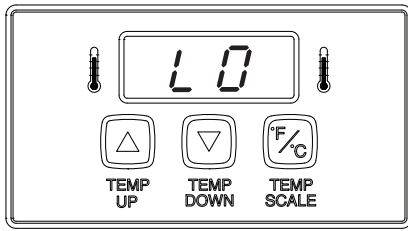
Daily Cleaning

The unit requires a minimum amount of maintenance. To ensure proper operation, clean the unit at the end of each serving day.

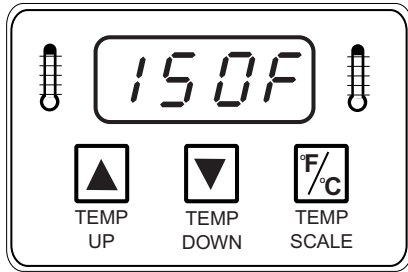
1. Turn both the Light and Heat rocker switches to the off position.
2. Unplug the power cord from the electrical outlet and allow the unit to cool to room temperature before proceeding.
3. Remove any product tray and wash in soap and water. Then rinse and wipe dry.
4. Clean glass surfaces, inside and out, with an approved glass cleaner.
5. Wipe all non-glass surfaces of the unit with a clean damp towel and allow to air dry.

Display Codes

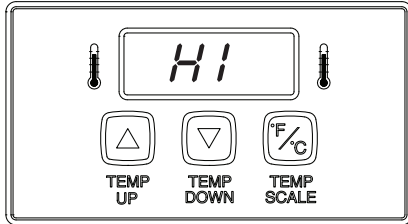
This section describes the different display codes and their meanings.



"LO" flashes during the initial warm up period. The unit continues to display this code until the unit reaches the setpoint temperature. When the unit reaches the setpoint temperature, it displays the setpoint temperature.

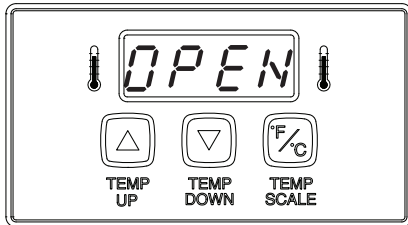


This figure shows an example setpoint temperature of 150° F displayed on the console.



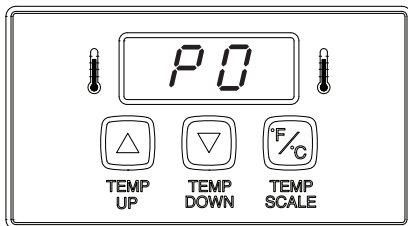
"HI" flashes if the actual cabinet temperature exceeds the setpoint temperature or if the thermistor has shorted.

NOTE: The thermistor should be 100k ohm +/- 2% at room temperature.



"OPEN" flashes if the thermistor is OPEN or disconnected. The unit will not call for heat.

NOTE: The thermistor should be 100k ohms +/- 2% at room temperature.



"PO" In 120 VAC units, this code flashes if the supply voltage is below 100 VAC or above 135 VAC. In 220/240 VAC units, this code flashes if the supply voltage is below 190 VAC or above 265 VAC.

NOTE: If voltage is within normal ranges, then the Control Board is faulty.

To reset a unit in this state, the supply voltage must be within acceptable limits and the unit must be turned off for a few seconds and then turned back on.

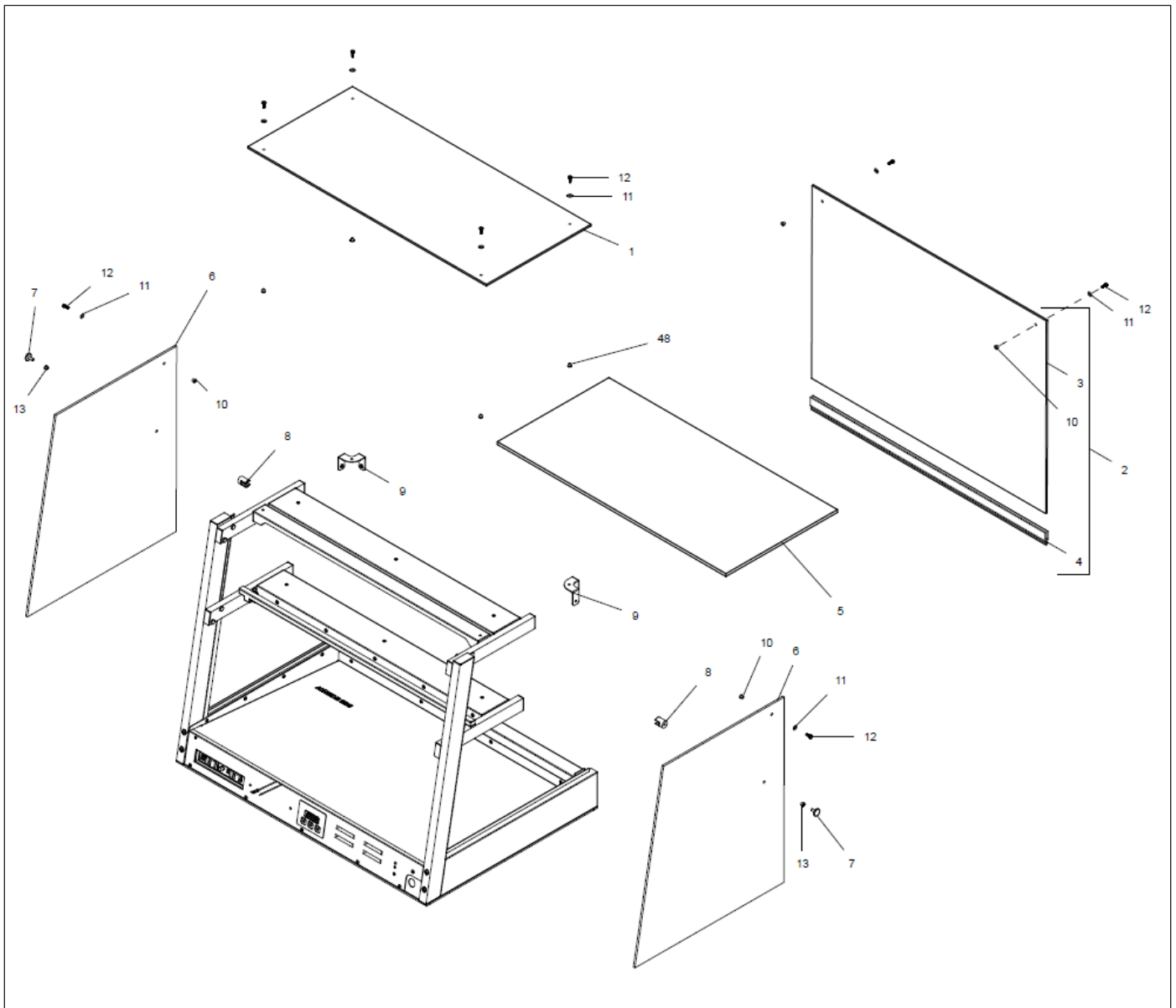
TROUBLESHOOTING

WARNING

To avoid possible personal injury and/or damage to the unit, inspection, test and repair of electrical equipment should be performed by qualified service personnel. The unit should be unplugged when servicing.

Problem	Possible Cause	Corrective Action
No heat, no display, and the power switch indicator light is OFF.	Power cord is not plugged in.	Plug the power cord into the appropriate outlet.
	Circuit breaker is off or has been tripped.	Reset circuit breaker, contact your maintenance person or Authorized Service Agency if it trips again.
	No power at receptacle.	Contact your maintenance person or Authorized Service Agency for service.
	Inoperable power cord.	
	Inoperable power switch.	
Loose, burnt, broken wiring in the circuit.		
No heat, no display, and the power switch indicator light is ON.	Inoperable Transformer.	Contact your maintenance person or Authorized Service agency for service.
	Inoperable Control Board.	
	Loose, burnt, broken wiring in circuit.	
Display flashes "LO" and the cabinet does not heat up.	Inoperable Solid State Relay.	Contact your maintenance person or Authorized Service Agency for service.
	Inoperable Control Board.	
	Inoperable Heater(s).	
	Loose, burnt, broken wiring in circuit.	
Display flashes "HI" and the cabinet does not heat up.	Inoperable Thermistor.	Contact your maintenance person or Authorized Service Agency for service.
	Inoperable control Board.	
Display flashes "HI" and the cabinet is very hot.	Solid State Relay contacts shorted closed.	Contact your maintenance person or Authorized Service Agency for service.
	Inoperable Control Board.	
Display flashes "OPEN" and the cabinet does not heat up.	Thermistor is disconnected or open.	Re-secure the Thermistor onto the Control Board. If this problem persists, contact your maintenance person or Authorized Service Agency for service.
	Inoperable Control Board.	
Display flashes "PO" and the cabinet does not heat up.	For 120 volt units, the supply voltage is below 100 VAC or above 135 VAC.	Contact your maintenance person or Authorized Service Agency for service.
	Inoperable Control Board.	
Product dries out quickly.	Setpoint temperature is set too high.	Lower the Setpoint temperature.
LED lights do not light up.	LED Strip is damaged.	Contact your maintenance person or Authorized Service Agency for service.
	Loose, burnt, or broken wiring in Circuit.	

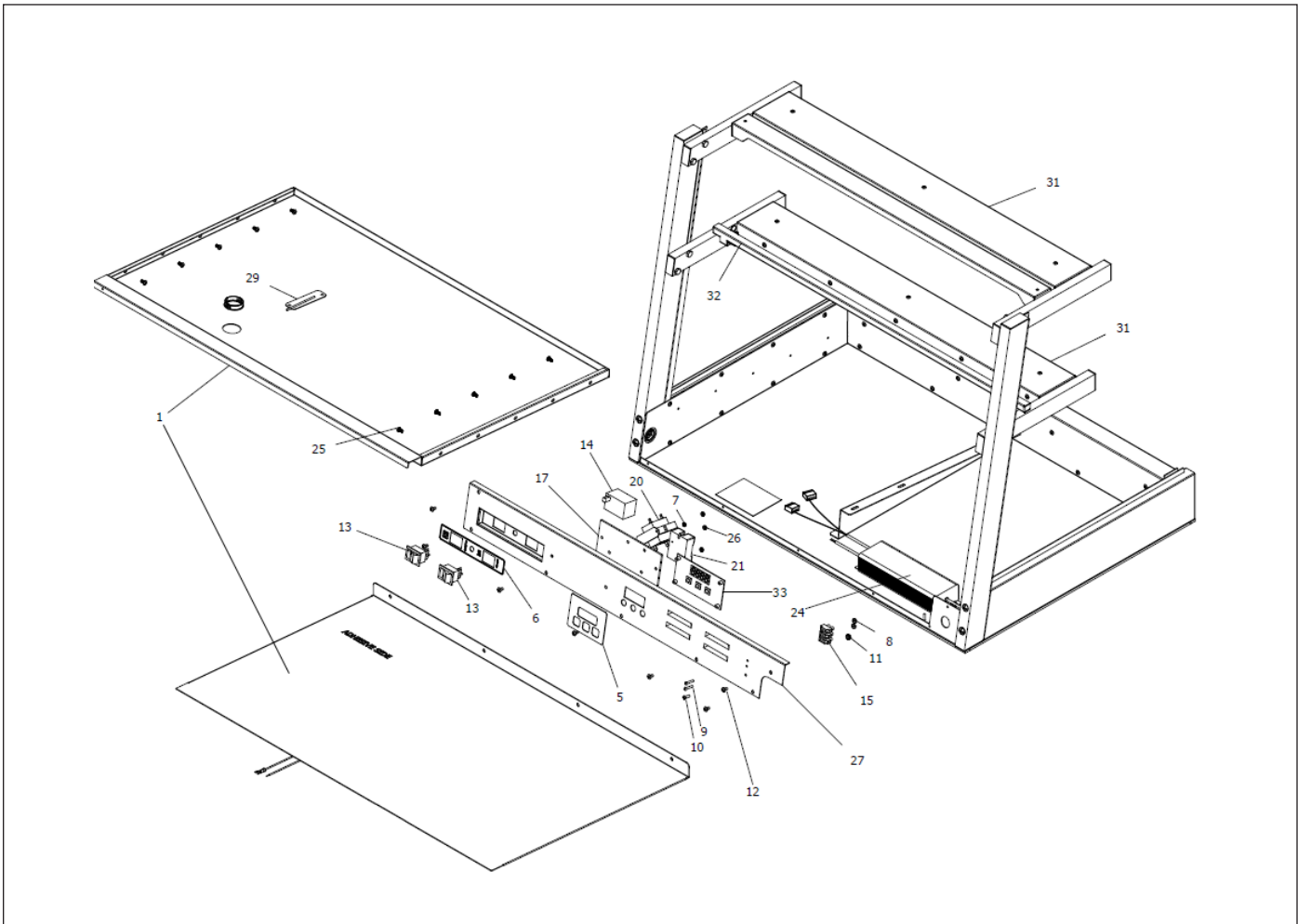
REPLACEMENT PARTS DCH-500 (SHEET 1)



Item	Part No.	Description	Qty.
1	7001773	Top Glass 24	1
2	7001713	Front Glass Kit	1
3	0900320	Front Glass	1
4	5040282	Rail 48.68 LG	1
5	7001732	Glass Shelf Kit, 24"	1
6	7001380	Side Glass Kit, 0900319	2
7	2000253	Glass Shelf Mounting Hdwe	2
8	7001435	Glass Shelf Support Kit	2
9	7001438	Corner Bracket	2
10	215P410	Spacer	1
11	325P207	Washer	1
12	210P360	Thumb Screw	1
13	215P152	Nylon Push in Bearing	1

*Available in packages of ten

REPLACEMENT PARTS DCH-500 (SHEET 2)

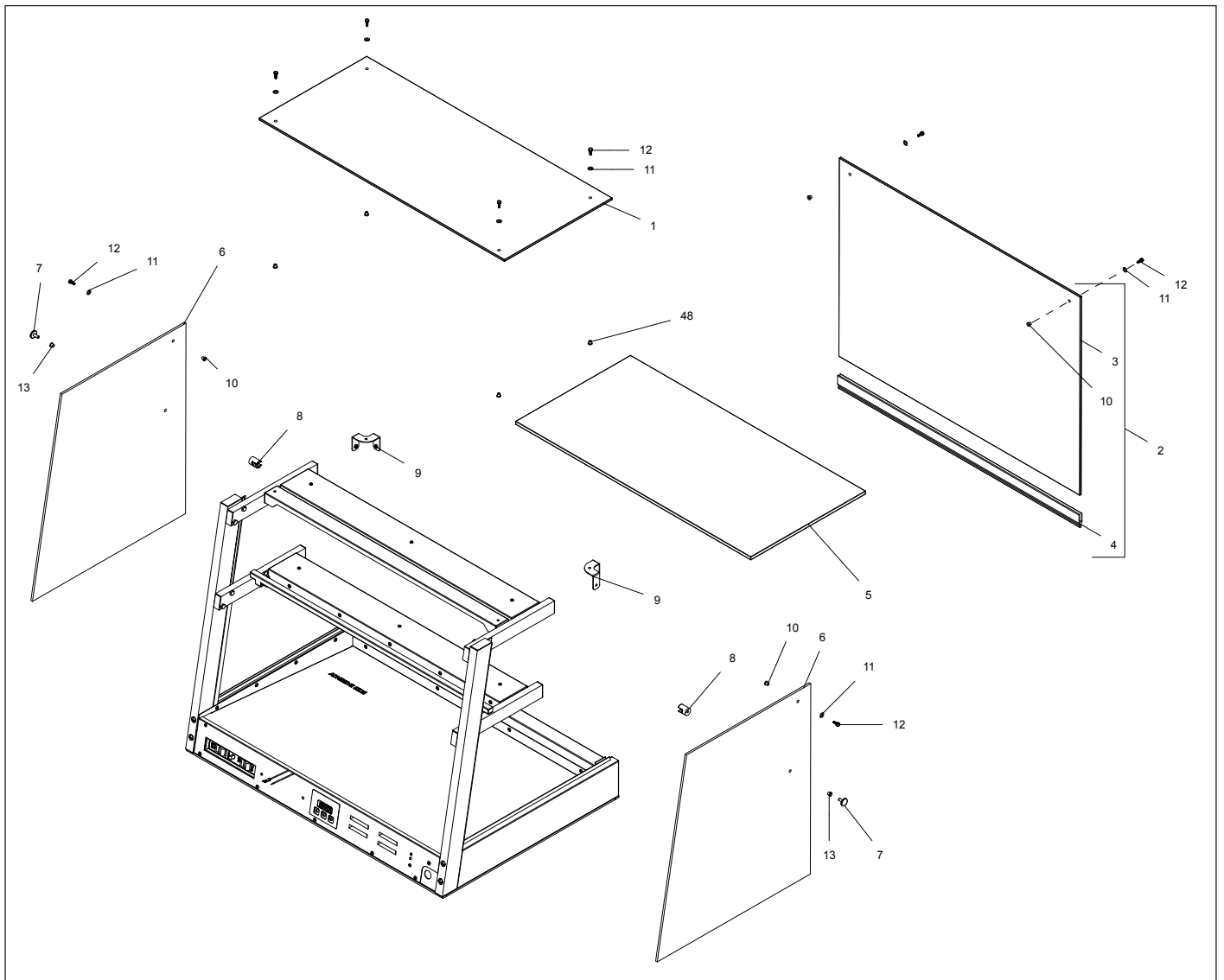


Item	Part No.	Description	Qty.
1	7001717	Heat Plate Kit, 24"	1
4	308P157*	Scr,Tap #08-32 X 3/8 Phtrshd;"F";410 S/S	1
5	1001037	Label, Control Panel	1
6	1001602	Label, SW1	1
6A	1001603	Label, SW2	1
7	304P105*	Nut,Hex'keps'#4-40 Zinc	1
8	306P101*	Nut,Hex #06-32 St.stl.	1
9	306P121*	Scr,Mach #06-32 X 3/4 Slrndhd; Steel;Zinc Pl.	1
10	308P124*	Scr,Mach #8-32 X 1/2" 1-Wayhd;18-8 S/S	1
11	308P143*	Nut,Hex"Keps"#08-32 Steel; Zinc Plated	1
12	308P157*	Scr,Tap #08-32 X 3/8 Phtrshd;"F";410 S/S	1
13	7001580	Power Switch Replacement	2
14	7001720	Thermostat, Hi Limit Kit	1
15	7001478	Terminal Block Kit	1
16	0013258	Control Panel Assembly	1

Item	Part No.	Description	Qty.
17	0022270	Heat Sink Weldment	1
20	7001148	Transformer, 120 VAC/12VAC	1
21	7000370	Solid State Relay Kit	1
22	0400251	Strain Relief	1
23	0700463	Power Cord	1
24	7001718	Power Supply Kit	1
25	308P203*	Screw #8-32 X 3/8 With Int. Tooth Washer	1
26	308P199*	Nut, Hex Keps #8-32 S/S (Cti) Ifn00374	1
27	0022252	Control Panel Weldment	1
28	0400138	Nut, Lock Conduit 1/2"	1
29	0507070	Thermo Bracket	1
30	308P143*	Nut,Hex"Keps"#08-32 Steel; Zinc Plated	1
31	7001456	24" Light Bar Kit	1
33	7000345	Control Board Kit	1
--	7001719	Cable, DC Plug Kit	1
--	7000369	Thermistor Replacement Kit	1

*Available in packages of ten

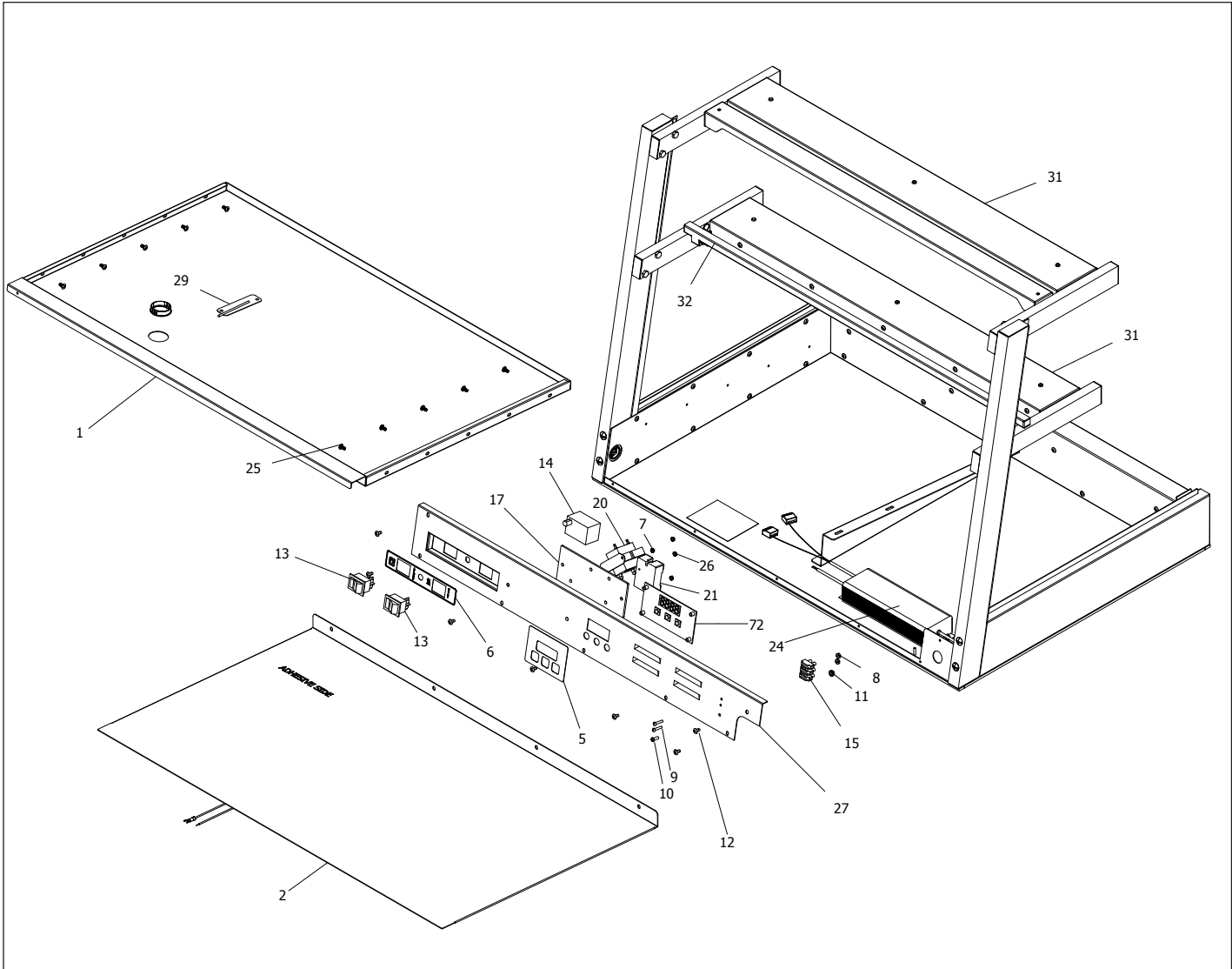
REPLACEMENT PARTS DCH-800 (SHEET 1)



Item	Part No.	Description	Qty.
1	7001714	Top Glass Kit 36"	1
3	0900326	Front Glass Assy	1
4	5040284	36 Frame Hinge	1
5		Middle Shelf - waiting on kit	1
6	7001380	Side Glass Kit, 0900319	2
7	7001435	Glass Shelf Support Kit	2
9	7001438	Corner Bracket	2
10	215P410	Spacer	1
11	325P207	Washer	1
12	210P360	Thumb Screw	1
13	215P152	Nylon Push in Bearing	1

*Available in packages of ten

REPLACEMENT PARTS DCH-800 (SHEET 2)

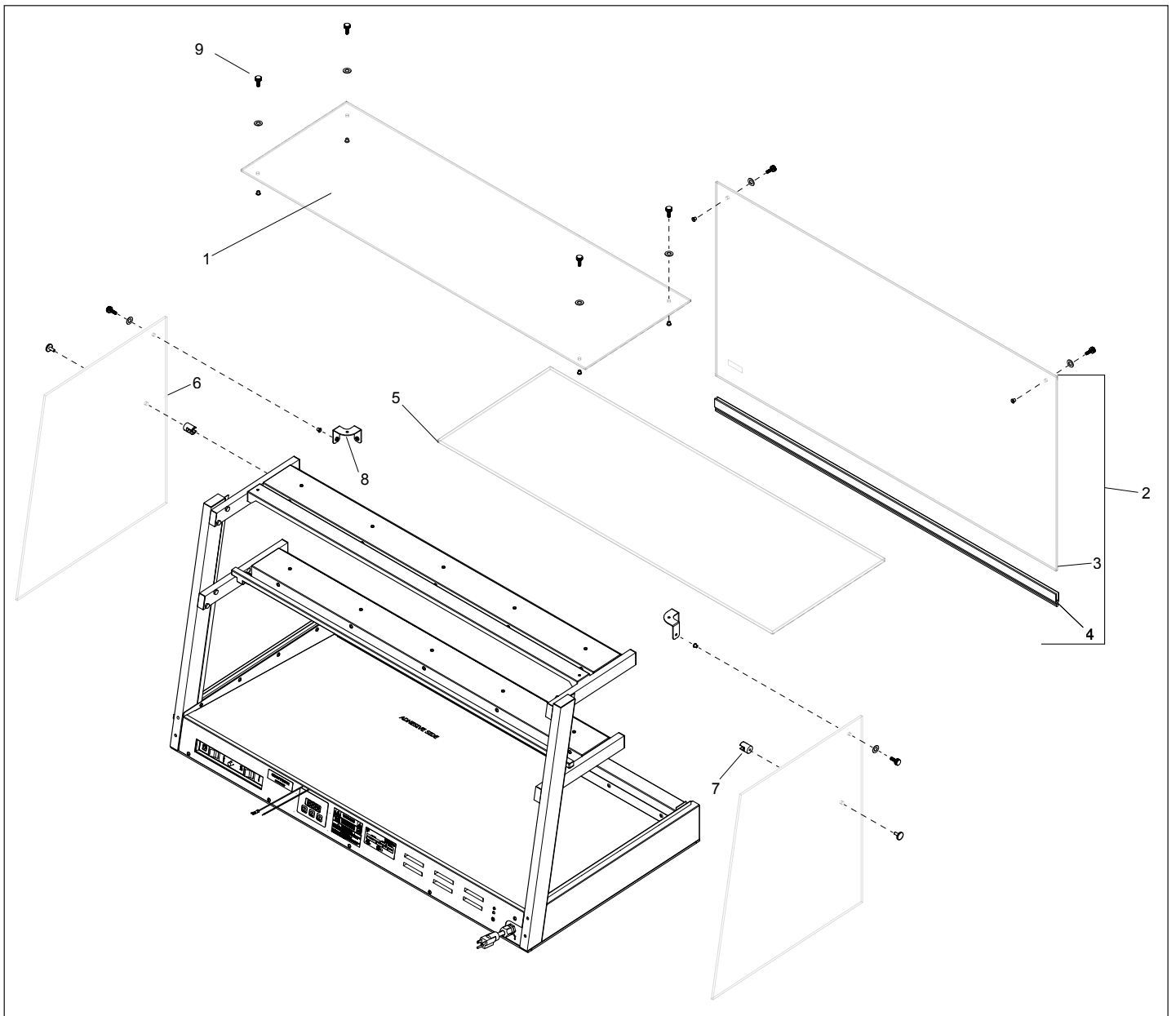


Item	Part No.	Description	Qty.
1	7001721	Heater Plate Kit	1
2	0013161	Heater Assembly	1
4	308P203*	Scr,Tap #8-32 X 3/8 W Int. Tooth Washer	1
5	1001037	Label, Control Panel	1
6	1001597	Label, Control	1
7	306P130*	Nut,Hex 'keys' #6-32 Small Pattern	1
8	306P101*	Nut,Hex #06-32 St.stl.	1
9	306P121*	Scr,Mach #06-32 X 3/4 Slrmdhd; Steel;Zinc Pl.	1
10	308P124*	Scr,Mach #8-32 X 1/2" 1-Wayhd;18-8 S/S	1
11	308P143*	Nut,Hex "Keys" #08-32 Steel; Zinc Plated	1
12	308P157*	Scr,Tap #08-32 X 3/8 Phtrshd;"F";410 S/S	1
13	7001580	Power Switch Replacement Kit	2
14	7001720	Thermostat, Hi-Limit Kit	1
15	7001478	Terminal Block Kit	1

Item	Part No.	Description	Qty.
16	7000345	Control Board Kit	1
17	0022132	Heat Sink Bracket Weldment	1
20	7001148	Transformer, 120 VAC, 12 VAC	1
21	7000370	Solid State Relay Kit	1
22	0400251	Strain Relief	1
23	0700463	Power Cord	1
24	7001718	Power Supply Kit	1
25	308P203*	Screw #8-32 X 3/8 With Int. Tooth Washer	1
26	308P199*	Nut, Hex Keys #8-32 S/S (Cti) Ifn00374	1
27	0022097	Control Panel Weldment	1
28	0400138	Nut, Lock Conduit 1/2"	1
29	0507070	Thermo Bracket	1
30	308P143*	Nut,Hex "Keys" #08-32 Steel; Zinc Plated	1
31	7001455	36" Light Bar Kit	1
--	7001719	Cable, DC Plug Kit	1
--	7000369	Thermistor Replacement Kit	1

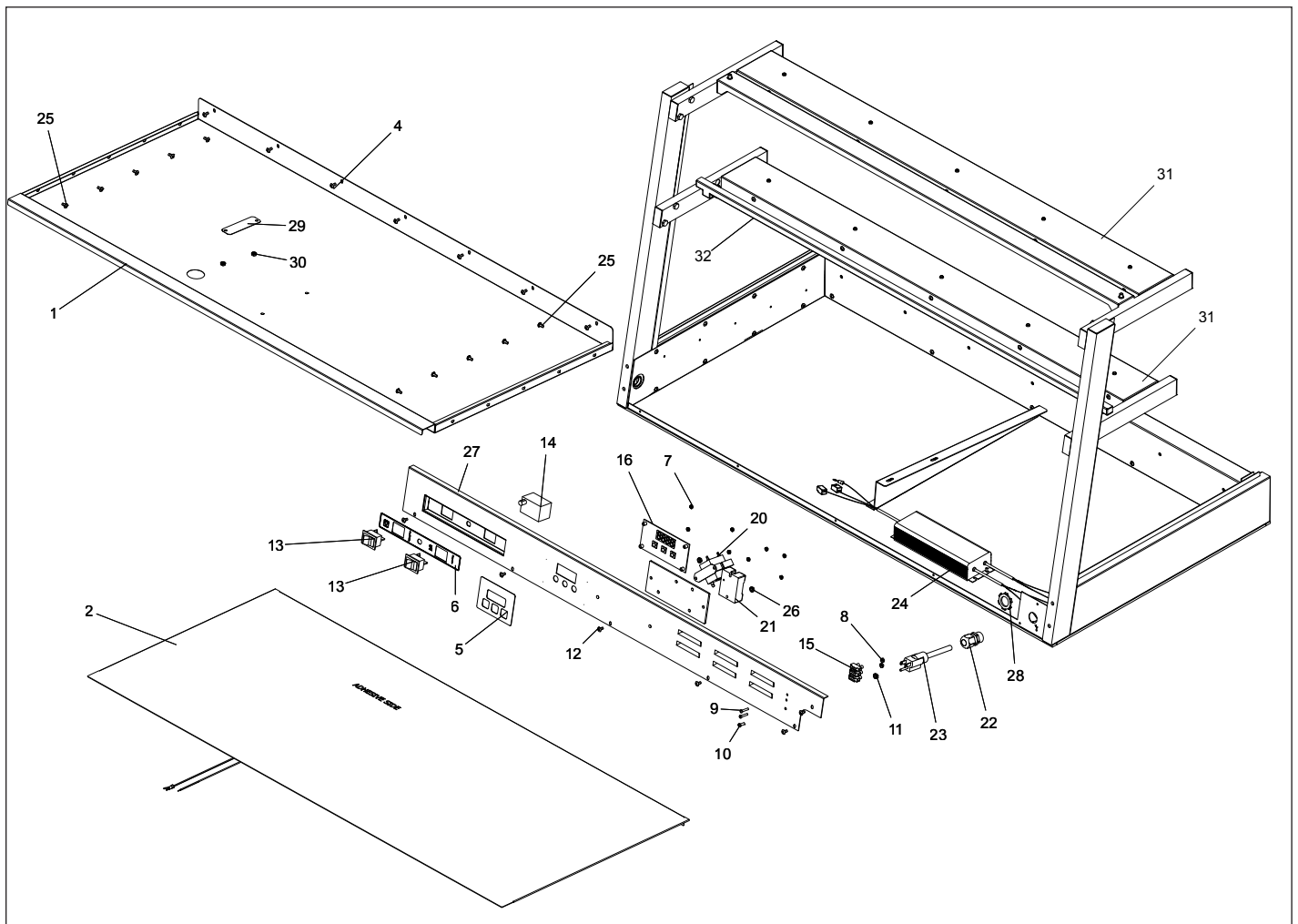
*Available in packages of ten

REPLACEMENT PARTS DCH-1000 (SHEET 1)



Item	Part No.	Description	Qty.
1	7001715	Top Glass Kit, 48	1
2	7001869	Front Glass kit	1
3	0900320	Front Glass	1
4	5040282	Rail 48.68 LG	1
5	7001870	Glass Shelf Kit	1
6	7001380	Side Glass Kit, 0900319	2
7	7001435	Glass Shelf Support Kit	2
8	7001438	Corner Bracket	2
9	210P360	Thumb Screw	1

REPLACEMENT PARTS DCH-1000 (SHEET 2)



Item	Part No.	Description	Qty.
1	7001868	Heater Plate Kit	1
4	308P157*	Scr,Tap #08-32 X 3/8 Phtrshd;"F";410 S/S	1
5	1001037	Label, Control Panel	1
6	1001593	Label, Control	1
7	304P105*	Nut,Hex'keys'#4-40 Zinc	1
8	306P101*	Nut,Hex #06-32 St.stl.	1
9	306P121*	Scr,Mach #06-32 X 3/4 Slrmdhd; Steel;Zinc Pl.	1
10	308P124*	Scr,Mach #8-32 X 1/2" 1-Wayhd;18-8 S/S	1
11	308P143*	Nut,Hex"Keys"#08-32 Steel; Zinc Plated	1
12	308P157*	Scr,Tap #08-32 X 3/8 Phtrshd;"F";410 S/S	1
13	7001580	Power Switch Replacement	2
14	7001720	Thermostat, Hi Limit Kit	1
15	7001478	Terminal Block Kit	1
16	7000345	Control Board Kit	1

Item	Part No.	Description	Qty.
17	0022132	Heat Sink Weldment	1
20	7001148	Transformer, 120VAC/12VAC	1
21	7000370	Solid State Relay Kit	1
22	0400251	Strain Relief	1
23	0700463	Power Cord	1
24	7001718	Power Supply Kit	1
25	308P203*	Screw #8-32 X 3/8 With Int. Tooth Washer	1
26	308P199*	Nut, Hex Keys #8-32 S/S (Cti) Ifn00374	1
27	0022097	Control Panel Weldment	1
28	0400138	Nut, Lock Conduit 1/2"	1
29	0507070	Thermo Bracket	1
30	308P143*	Nut,Hex"Keys"#08-32 Steel; Zinc Plated	1
31	7001716	Light Bar Kit, 48"	1
--	7000369	Thermistor Replacement Kit	1
--	7001719	Cable, DC Plug Kit	1

*Available in packages of ten

LIMITED WARRANTY

Equipment manufactured by Roundup Food Equipment Division of A.J. Antunes & Co. has been constructed of the finest materials available and manufactured to high quality standards. These units are warranted to be free from electrical and mechanical defects for a period of one (1) year from date of purchase under normal use and service, and when installed in accordance with manufacturer's recommendations. To insure continued operation of the units, follow the maintenance procedures outlined in the Owner's Manual. During the first 12 months, electro-mechanical parts, non-overtime labor, and travel expenses up to 2 hours (100 miles/160 km), round trip from the nearest Authorized Service Center are covered.

1. This warranty does not cover cost of installation, defects caused by improper storage or handling prior to placing of the Equipment. This warranty does not cover overtime charges or work done by unauthorized service agencies or personnel. This warranty does not cover normal maintenance, calibration, or regular adjustments as specified in operating and maintenance instructions of this manual, and/or labor involved in moving adjacent objects to gain access to the equipment. This warranty does not cover consumable/wear items. This warranty does not cover damage to the Load Cell or Load Cell Assembly due to abuse, misuse, dropping of unit/shock loads or exceeding maximum weight capacity (4 lbs). This warranty does not cover water contamination problems such as foreign material in water lines or inside solenoid valves. It does not cover water pressure problems or failures resulting from improper/incorrect voltage supply. This warranty does not cover Travel Time & Mileage in excess of 2 hours (100 miles/160 km) round trip from the nearest authorized service agency.
2. Roundup reserves the right to make changes in design or add any improvements on any product. The right is always reserved to modify equipment because of factors beyond our control and government regulations. Changes to update equipment do not constitute a warranty charge.
3. If shipment is damaged in transit, the purchaser should make a claim directly upon the carrier. Careful inspection should be made of the shipment as soon as it arrives and visible damage should be noted upon the carrier's receipt. Damage should be reported to the carrier. This damage is not covered under this warranty.
4. Warranty charges do not include freight or foreign, excise, municipal or other sales or use taxes. All such freight and taxes are the responsibility of the purchaser.
5. This warranty is exclusive and is in lieu of all other warranties, expressed or implied, including any implied warranty or merchantability or fitness for a particular purpose, each of which is hereby expressly disclaimed. The remedies described above are exclusive and in no event shall roundup be liable for special consequential or incidental damages for the breach or delay in performance of this warranty.



Corporate Headquarters

Carol Stream, Illinois
Phone: +1 (630) 784-1000
Toll Free: +1 (800) 253-2991
Fax: +1 (630) 784-1650

China Facility

Suzhou, China
Phone: +86-512-6841-3637
Fax: +86-512-6841-3907