

540038

540038

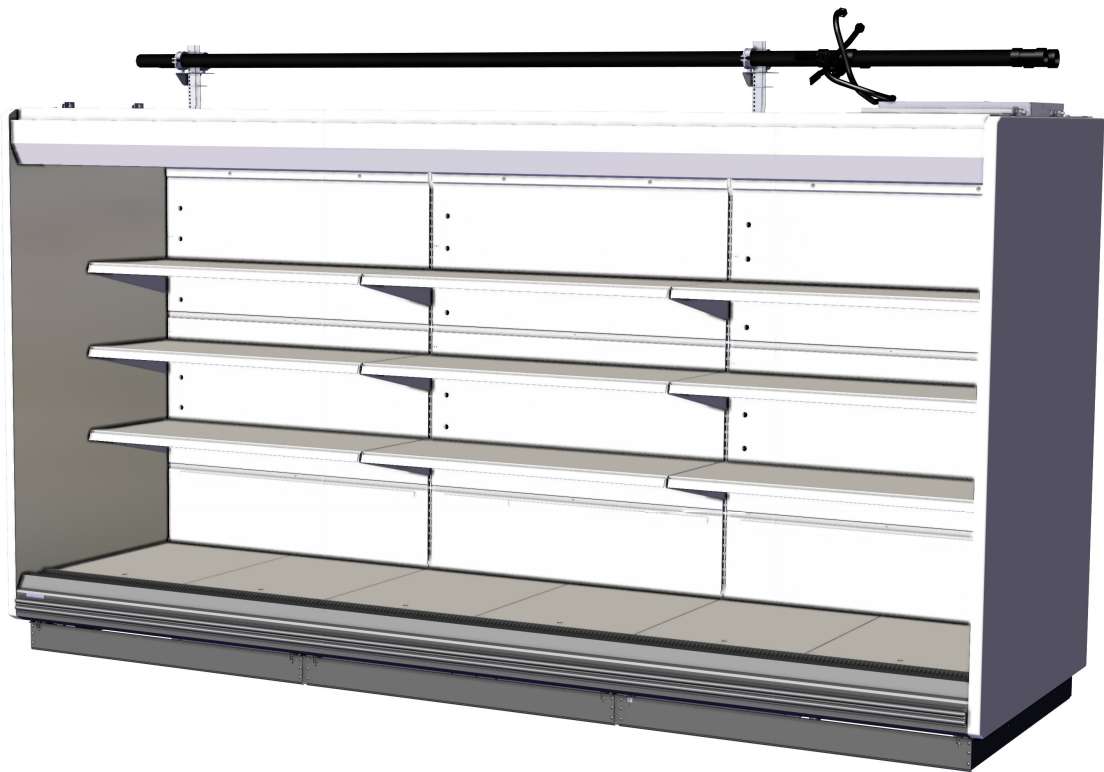
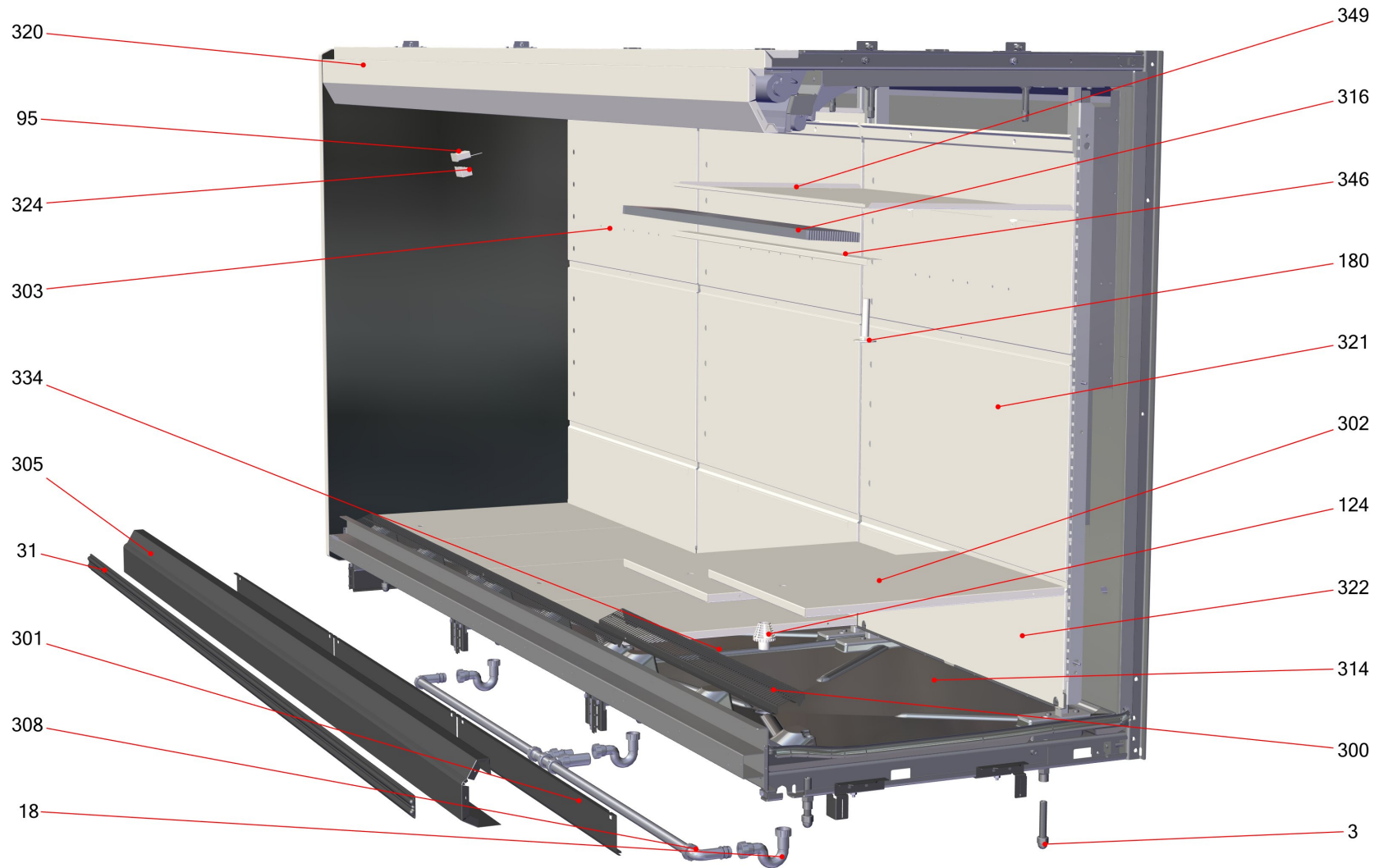


Table of contents

Basic unit VENTO (394673)	3
Refrigeration VENTO (394675)	5
Electrics VENTO (394676)	7
controlling board MC 3C USA G5 (394677)	9
Module roller blind VENTO (363635)	11
Acessories VENTO (394678)	13

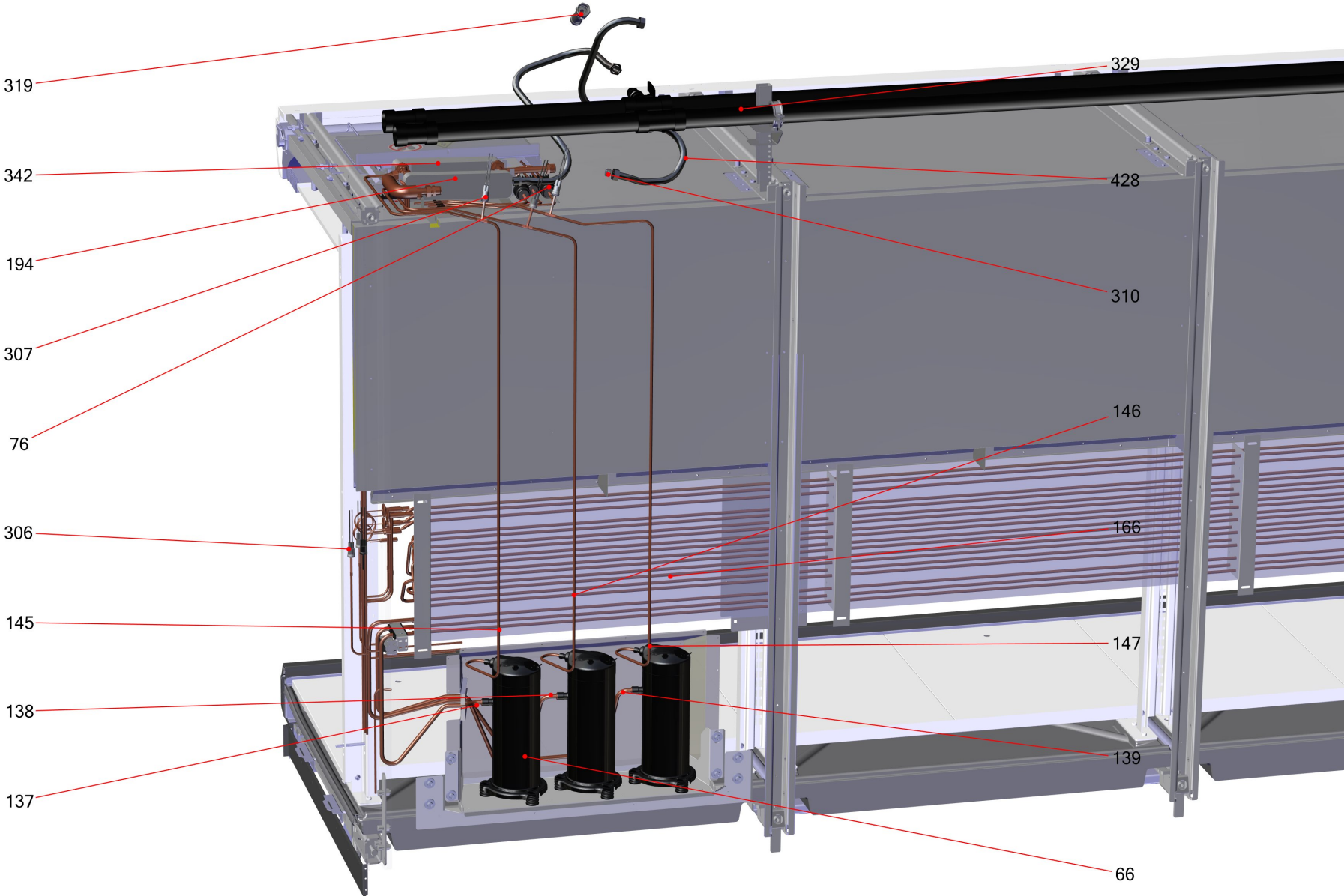
Basic unit VENTO (394673)



Basic unit VENTO (394673)

Item no.	Article no.	Description	Quantity	Unit
	465598	SKY COAT MD L/H7 RAL9005 BON V4 PACK	3	ST
3	330009	base mounted 117,5mm	6	ST
18	311222	plugsiphon DN32	3	ST
31	305166	bumper P2 Vento375 NCS6500	1	ST
95	328964	digital thermometer °F TF-LCD-battery white	1	ST
124	301718	dirt filter Vento white9003	2	ST
180	357296	round-heat screw M10x16 Poly black 9005 x20	1	ST
300	306789	return air grill Vento mod. black9005	3	ST
301	308256	kickplate set front Vento375 NCS6500 2mm	1	ST
302	394674	floor shelf with rails L/H7Vento Isol. black9005x2	3	ST
303	395364	backwall top Vento L exDucts UniledV5 black9005	3	ST
305	400524	base cover + bumper Vento 375 NCS6500	1	ST
308	358573	effluents unit Vento375 plug in left/right	1	ST
314	350967	tray V2 Vento L/H7	3	ST
316	308376	comb pipe Vento 4mm 150x1252mm	3	ST
320	619953	canopy steel Vento 375 black9005	1	ST
321	368839	backwall middle Vento Uniled V4 black9005	3	ST
322	329660	backwall bottom Vento L/H V3 black9005	3	ST
324	306791	holder Solarthermometer black 9005	1	ST
334	326269	seal profile middle confection Vento L/H7	2	ST
346	306790	comb retaining ledge coated Vento black9005	3	ST

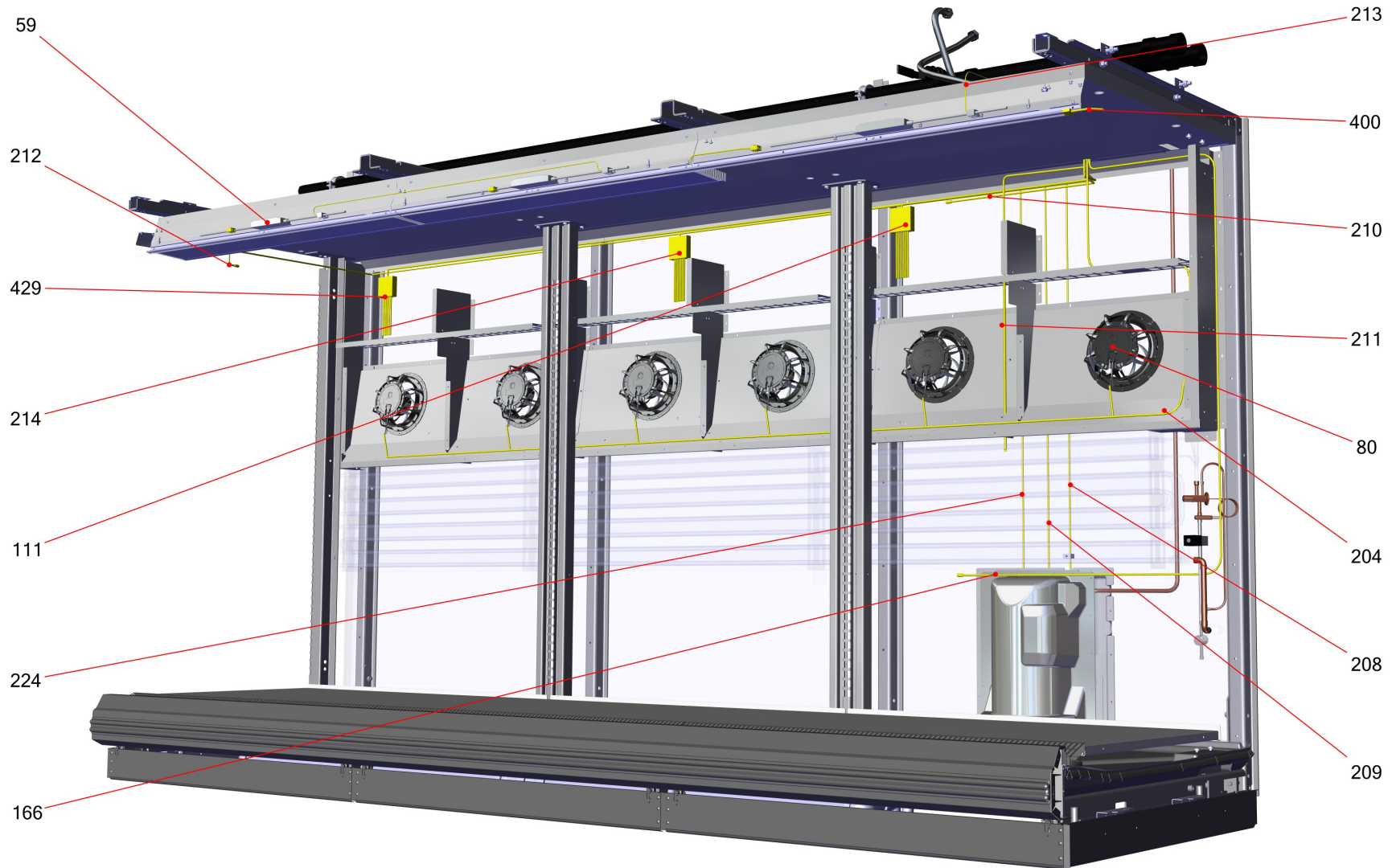
Refrigeration VENTO (394675)



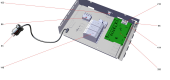
Refrigeration VENTO (394675)

Item no.	Article no.	Description	Quantity	Unit
66	379407	compressor Scroll ZB09KAU-TF5 548 R290 USA	3	ST
76	351965	filter dryer DML 1.52x2/2x 46bar	3	ST
137	395307	suction pipe Vento circle1 press. TXV V2	1	ST
138	395308	suction pipe Vento circle2 press. TXV V2	1	ST
139	395309	suction pipe Vento circle3 press. TXV V2	1	ST
145	404809	pressure pipe Vento L sole circle1	1	ST
146	404810	pressure pipe Vento GM L Spi circle2	1	ST
147	404811	pressure pipe Vento L sole circle3	1	ST
166	363582	evaporator Vento R290 MC 3C TXV 3400mm	1	ST
194	395215	micro-plate heat exchanger Vento D22-20 T24006-011	1	ST
306	401654	pressostat low pressure Vento ACB-4UA 2800 Danfoss	3	ST
307	401649	pressostat high pressure Vento ACB-4UB 1000 Danfoss	1	ST
307	401649	pressostat high pressure Vento ACB-4UB 1000 Danfoss	3	ST
307	401649	pressostat high pressure Vento ACB-4UB 1000 Danfoss	1	ST
310	357298	seal Klingerit 24x17x2 x10	1	ST
319	351301	balancing valve Caleffi 1,6m ³ /h yellow V2	1	ST
342	395212	micro heat plate exchanger H22-C-40-L T24006-012	1	ST
428	406986	panzer flex pipe set PE Vento R290	1	ST
903	351963	expansion valve TLK 2,0 R290	3	ST

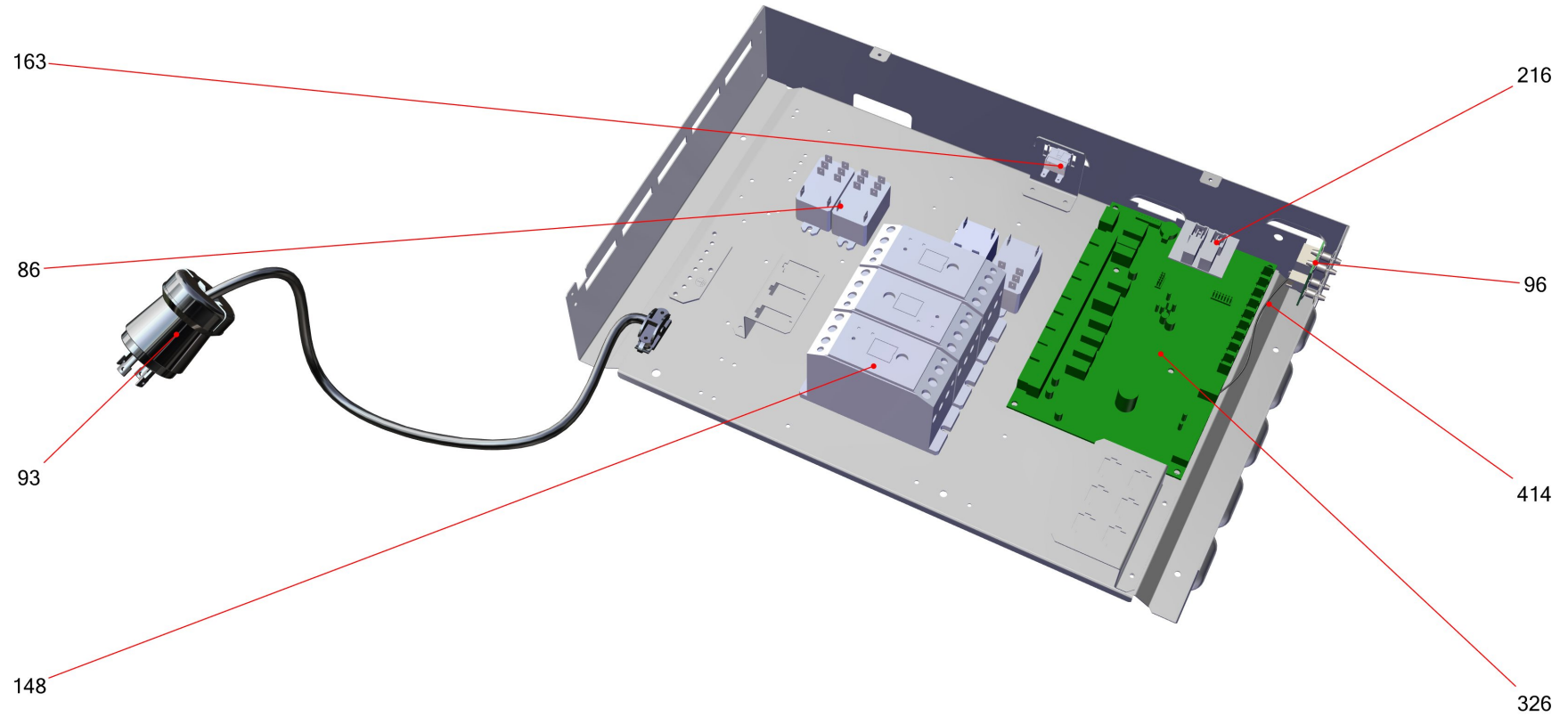
Electrics VENTO (394676)



Electrics VENTO (394676)

Item no.	Article no.	Description	Quantity	Unit	Picture
	394677	controlling board MC 3C USA G5	1	ST	
59	309594	LED driver 100-240V/80W/50-60 HZ	4	ST	
80	390656	fan diagonal EBM K1G200-AA84-25	6	ST	
111	410751	distributor shelf lightening ICC 2100mm BK	1	ST	
166	352343	sensor Vento 250/375 Air in	1	ST	
204	364164	cable harness fan Vento375 L USA	1	ST	
208	374919	compressor cable Vento ZB07 UL 1circle white	1	ST	
209	374920	compressor cable Vento ZB07 UL 2circle blue	1	ST	
210	352344	sensor Vento 250/375 Air out	1	ST	
211	352345	sensor Vento 250/375 Defrost	1	ST	
212	352346	sensor Vento 250/375 Product	1	ST	
213	209151	cable light Vento UL/VDE	1	ST	
214	410752	distributor shelf lightening ICC 3400mm BK	1	ST	
224	375096	compressor cable Vento ZB07 UL 3circle black	1	ST	
400	210142	cable LED Strips 1100mm	1	ST	
429	410753	distributor shelf lightening ICC 4700mm BK	1	ST	

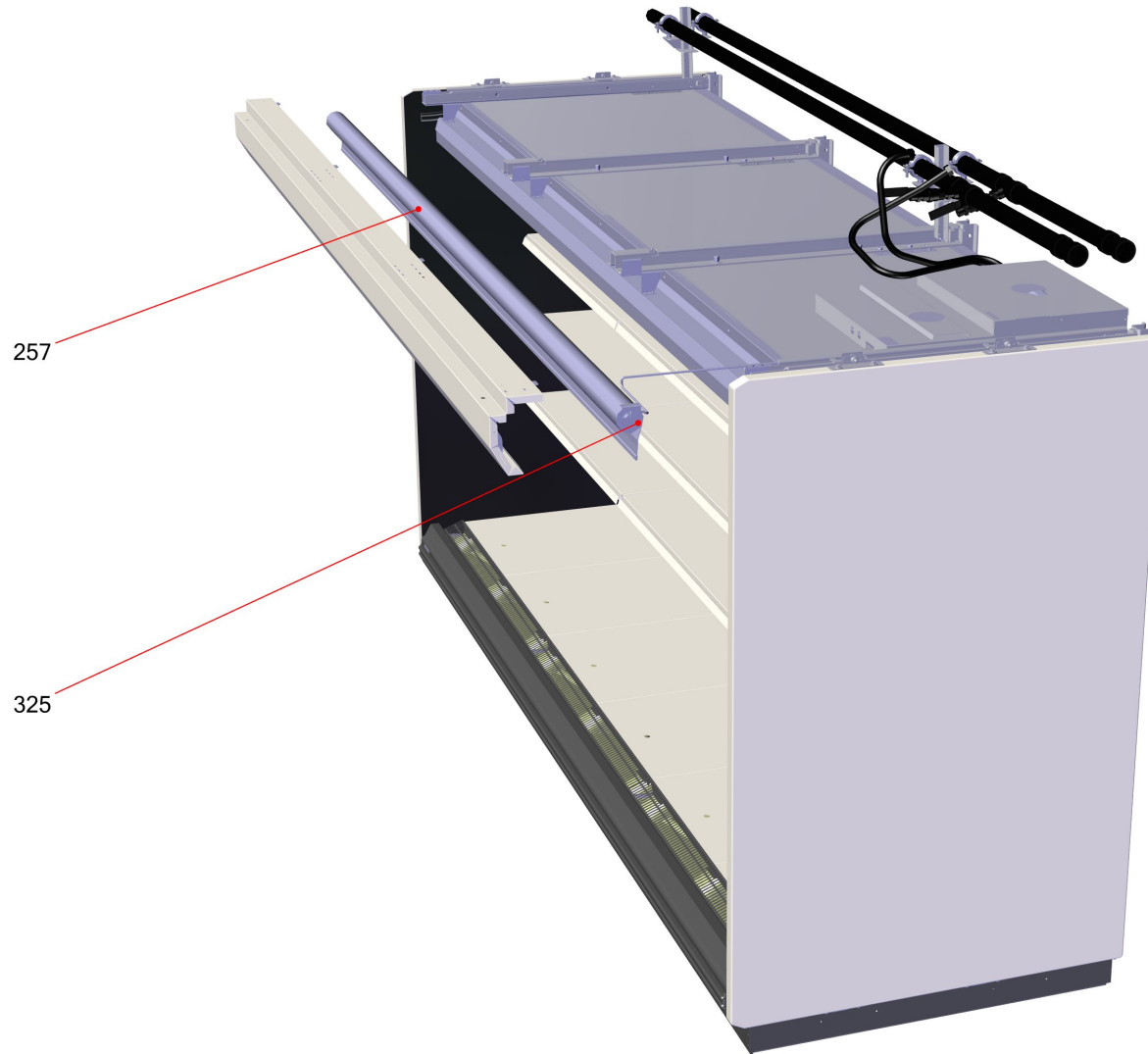
controlling board MC 3C USA G5 (394677)



controlling board MC 3C USA G5 (394677)

Item no.	Article no.	Description	Quantity	Unit
86	459997	RELAIS 230V 30A R290 HONGFA	4	ST
93	360968	connection cable Vento UL L15-20P	1	ST
96	276845	bus board Secop SLV	1	ST
148	337753	3 phase softstarter RSBT Scroll compressor	3	ST
163	334120	switch Everel R290 SXL532A1H200W	1	ST
216	347792	pack controller Emerson ECB I2 ECB 10	1	ST
326	395043	controller Vento Emerson ECB-D10 V9.02	1	ST
414	400729	bus line intern Cat5 1,2m	1	ST

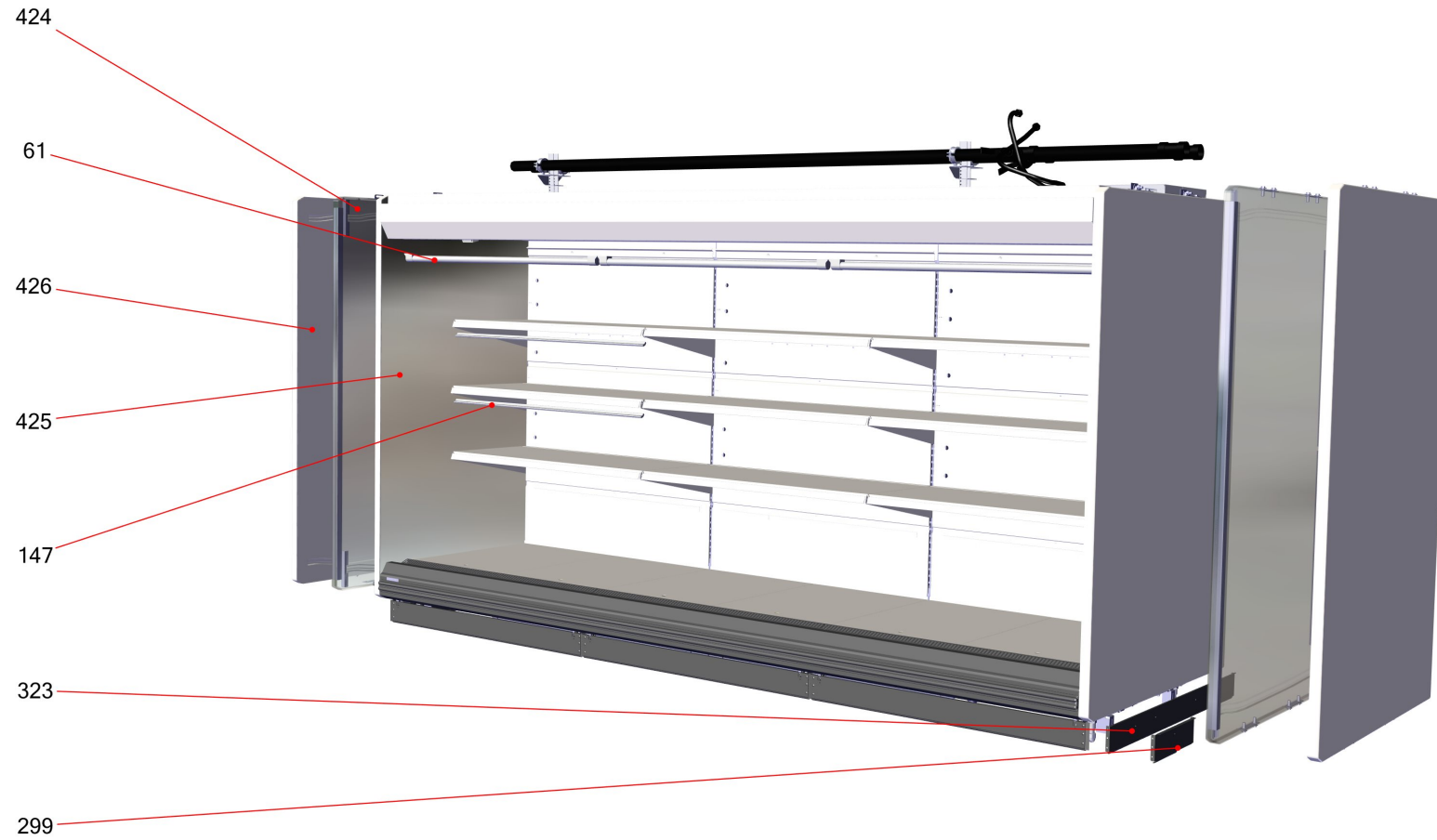
Module roller blind VENTO (363635)



Module roller blind VENTO (363635)

Item no.	Article no.	Description	Quantity	Unit
257	329031	roller blind+motor Vento 375 L Pan-Dur VDE/UL	1	ST
325	361303	roller blind DM35S 220V/60Hz UL	1	ST

Accessories VENTO (394678)



Accessories VENTO (394678)

Item no.	Article no.	Description	Quantity	Unit
	327874	mountingkit side wall Vento left L/H7 G2-G3	1	ST
	351021	accessory box Vento Green MC 250/375 R290	1	ST
	327876	mountingkit side wall Vento right L/H8 G2-G3	1	ST
61	325327	LED tube LTG 5000K 24V TL125-26-5 250/375	3	ST
61	325577	LED tube LTG RT076 TL125-26-6 24V 250/375	3	ST
61	325326	canopy LED LTG 4000K 24V TL125 250/375	3	ST
147	325328	shelf light LTG 4000K 250/375	1	ST
147	325329	shelf light LTG 5000K 250/375	1	ST
147	325578	shelf light LTG red076 250/375	1	ST
169	371194	shelf + holder Vento 450mm0/8° black9005	1	ST
169	371195	shelf + holder 550mm 0/8° black9005	1	ST
169	371192	shelf + holder 500mm 0/8° black9005	1	ST
169	371193	shelf + holder 600mm 0/8° black9005	1	ST
169	371191	shelf + holder 400mm 0/8° black9005	1	ST
323	325265	kickplate set side Vento L/H7 NCS6500 G3	2	ST
424	371185	side wall Panorama Vento le/ri H7 black 9005	2	ST
425	371186	sidewall mirrored le/ri H7 plastic black 9005	2	ST
426	371187	side wall full glass le/ri L7 plastic black9005	2	ST