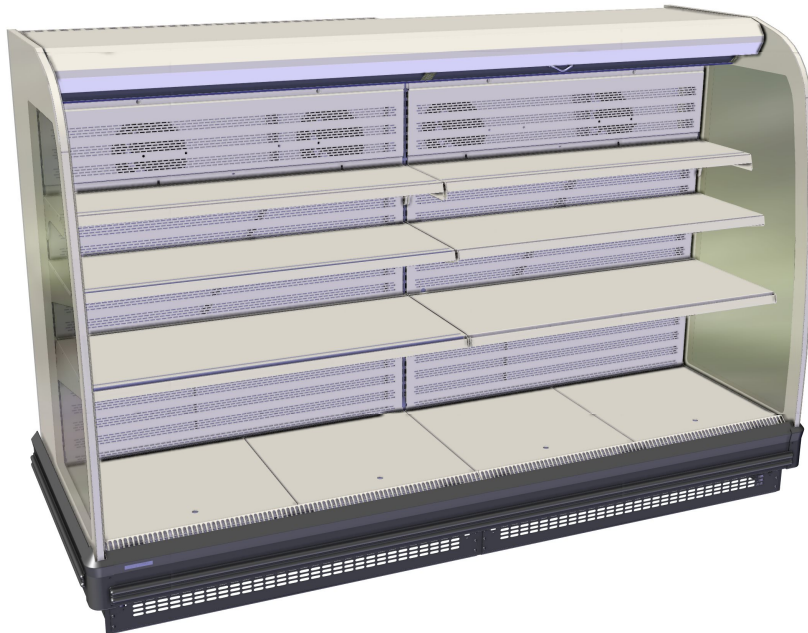


**540022**

540022

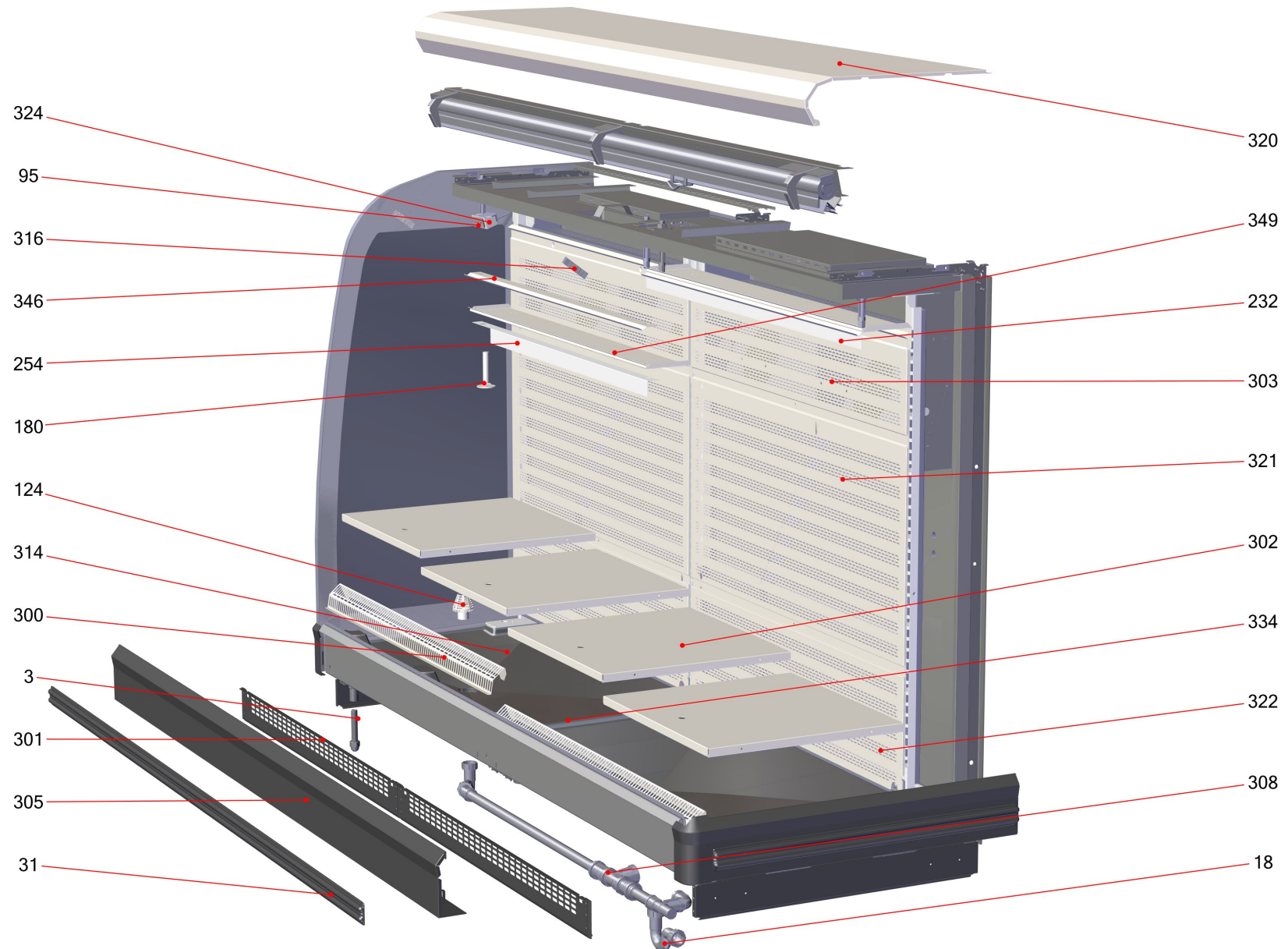


## Table of contents

---

Basic unit VENTO (432581)	3
Refrigeration VENTO (431728)	5
Electrics VENTO (431729)	7
controlling board MC Air 2Cycle USA G5 SLED (364393)	9
Module end cabinet VENTO (431745)	11
Accessories VENTO (431730)	13

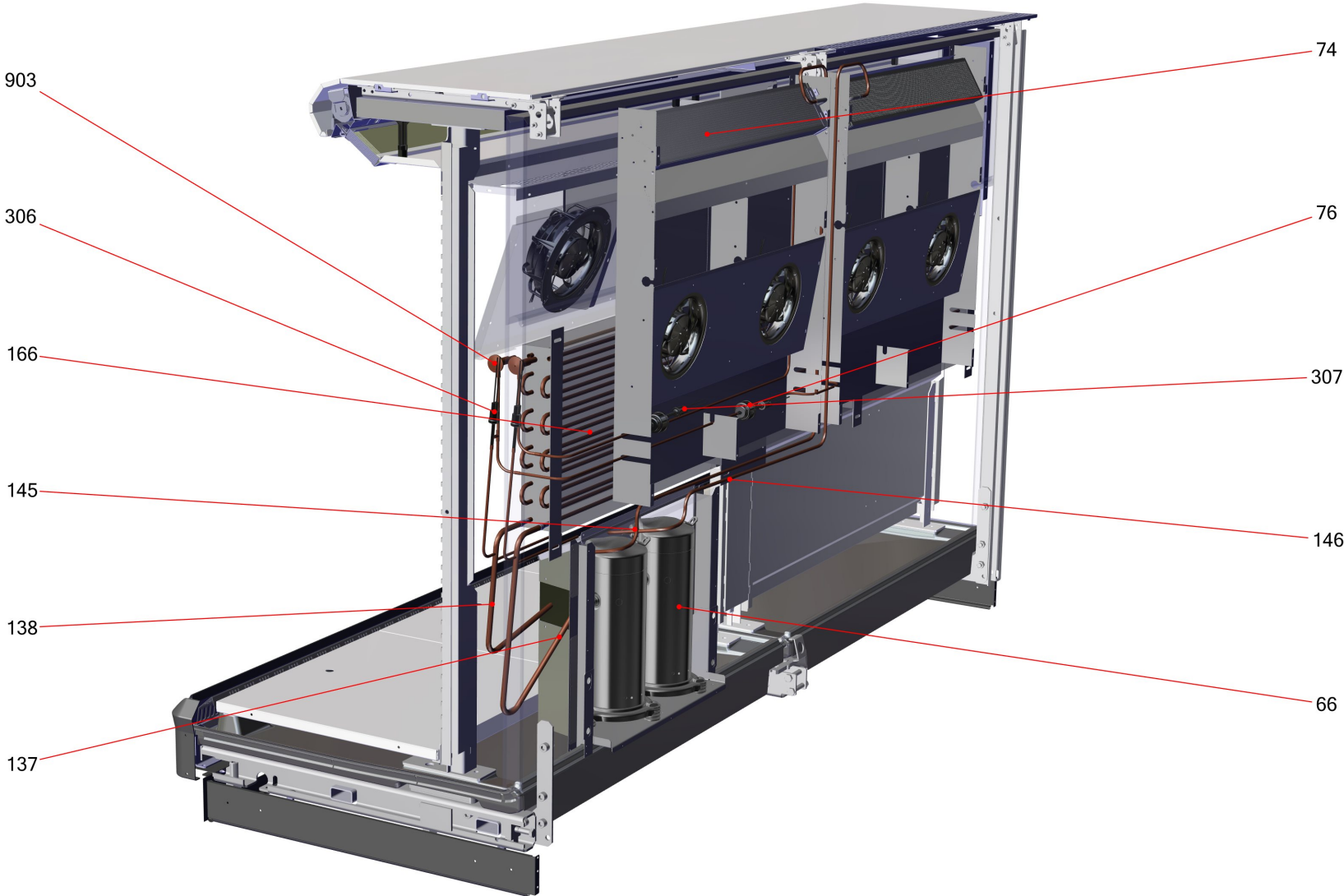
## Basic unit VENTO (432581)



## Basic unit VENTO (432581)

Item no.	Article no.	Description	Quantity	Unit
	340086	bottom rail for shelf EC198 grey7045	2	ST
3	330009	base mounted 117,5mm	6	ST
18	311222	plugsiphon DN32	2	ST
95	328964	digital thermometer °F TF-LCD-battery white	1	ST
124	301718	dirt filter Vento white9003	2	ST
300	363646	return air grill Vento198 Slim black9005	2	ST
301	340027	kickplate set front Vento EC198 NCS6500	1	ST
302	380556	floor shelf Vento L/H6 198 black9005	2	ST
303	379767	backwall top left Vento SV198 USA black9005	1	ST
303	379766	backwall top right Vento SV198 USA black9005	2	ST
305	360073	base cover Vento 198 Slim 1977mm NCS6500	1	ST
308	340026	effluents unit Vento SV Air 198 plug in	1	ST
321	389945	backwall middle Vento SV198 USA black9005	2	ST
322	379769	backwall bottom Vento SV198 USA black9005	2	ST
324	306791	holder Solarthermometer black 9005	1	ST
334	328406	seal profile middle confection Vento LS/HS6	1	ST
346	374129	comb retaining ledge Vento SV198 USA V2 black9005	2	ST
349	374130	top cover Vento SV198 USA V2 black9005	2	ST
462	375823	set handle+holder rollo Vento SV	2	ST

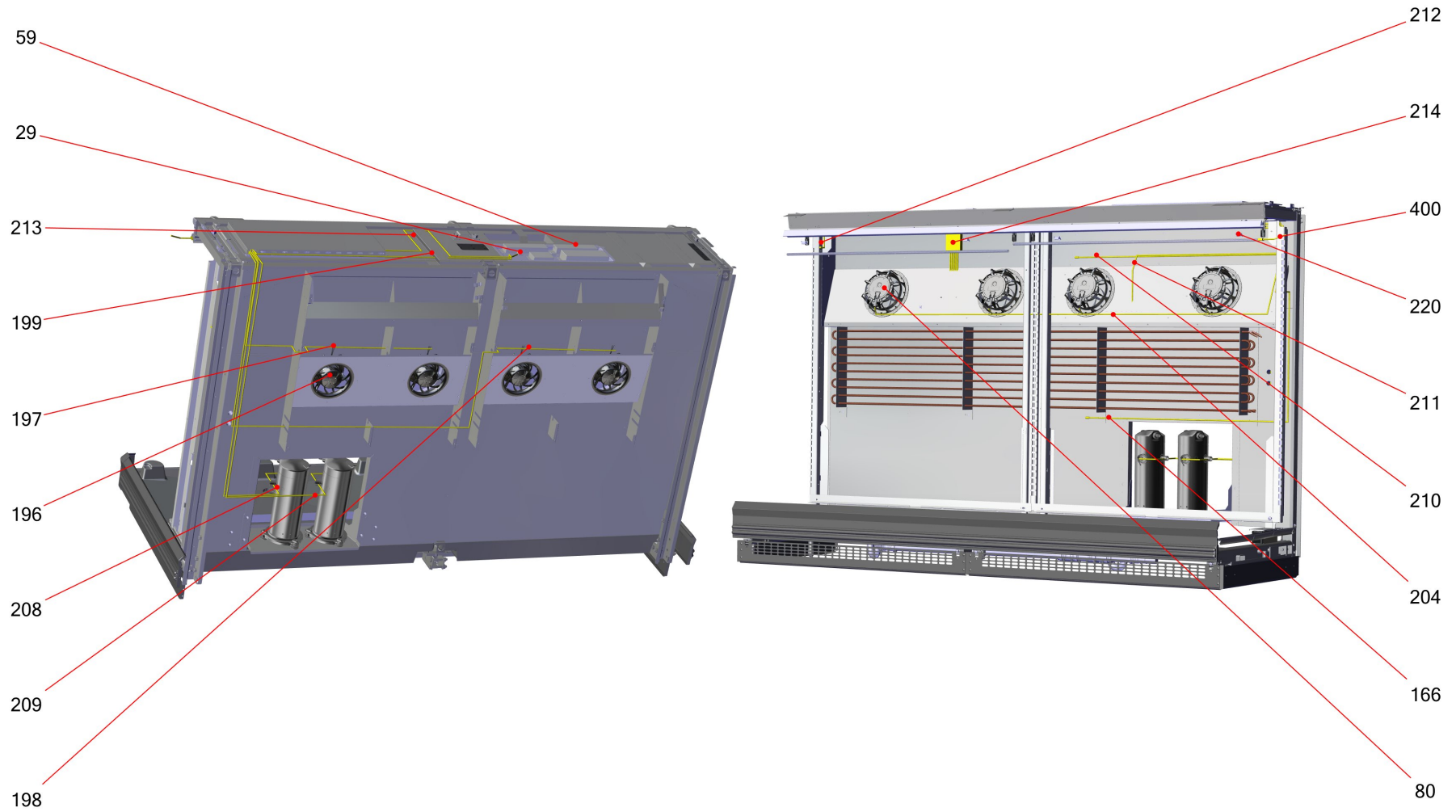
# Refrigeration VENTO (431728)



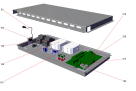
## Refrigeration VENTO (431728)

Item no.	Article no.	Description	Quantity	Unit
66	373304	compressor Scroll ZB07KAU-TF5 XXP R290 USA	1	ST
74	351950	condenser SV Sanhua ex bracket angle AHT039	1	ST
76	351965	filter dryer DML 1.52x2/2x 46bar	2	ST
137	351973	suction pipe Vento 1circle pressostat TXV	1	ST
138	351976	suction pipe Vento 2circle pressostat TXV	1	ST
145	368644	pressure pipe CUØ8x1,0 Vento SV198 Air USA 1circle	1	ST
146	368645	pressure pipe CUØ8x1,0 Vento SV198 Air 2Circle	1	ST
166	431744	evaporator Vento MC 1626m R290 2C TXV	1	ST
306	401654	pressostat low pressure Vento ACB-4UA 2800 Danfoss	1	ST
307	401649	pressostat high pressure Vento ACB-4UB 1000 Danfoss	1	ST
903	351963	expansion valve TLK 2,0 R290	2	ST

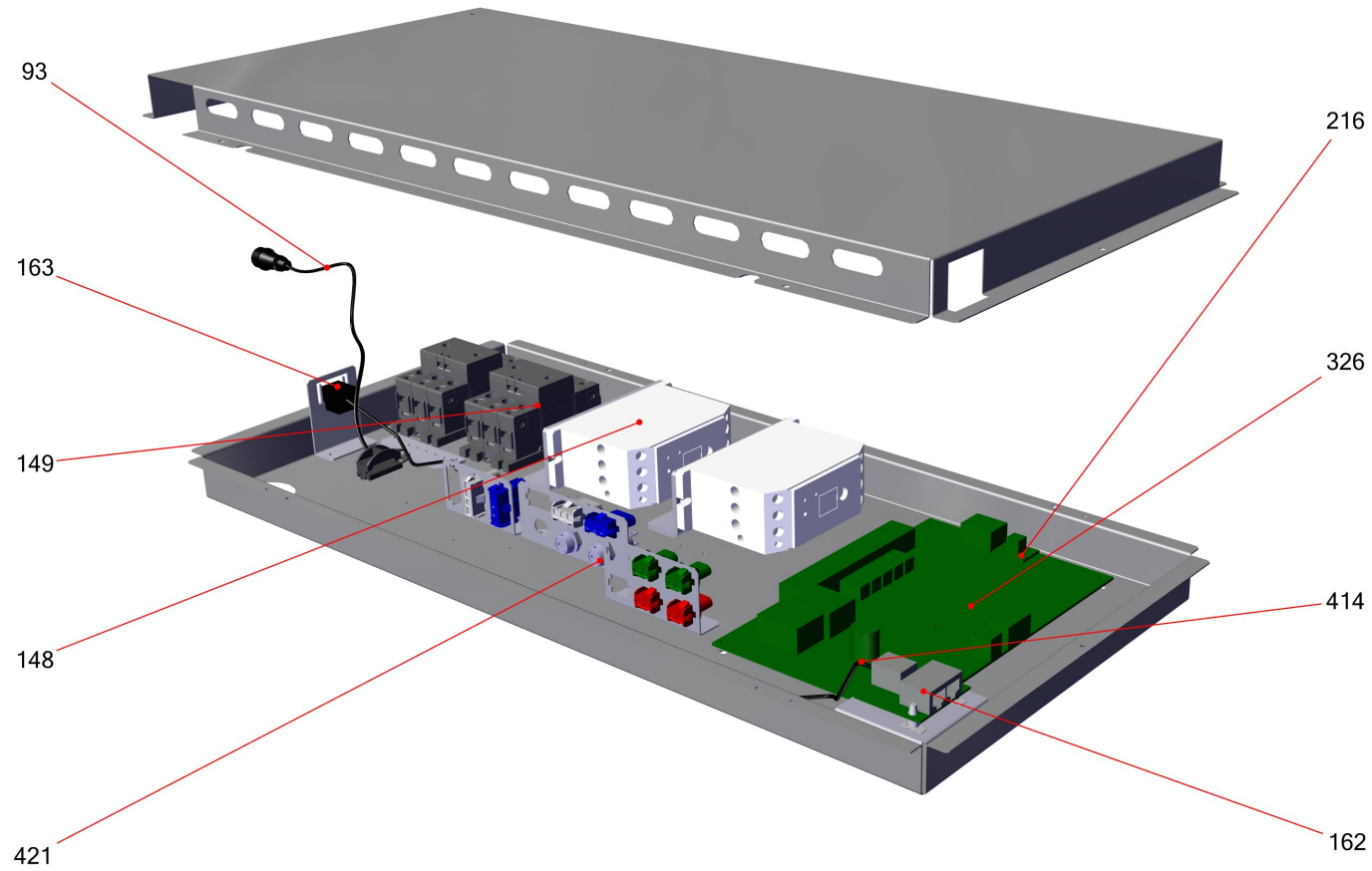
# Electrics VENTO (431729)



## Electrics VENTO (431729)

Item no.	Article no.	Description	Quantity	Unit	Picture
	364393	controlling board MC Air 2Cycle USA G5 SLED	1	ST	
59	<a href="#">309594</a>	LED driver 100-240V/80W/50-60 HZ	2	ST	
80	364689	fan diagonal EBM DRZ 1100/1200	2	ST	
166	352343	sensor Vento 250/375 Air in	1	ST	
196	308786	fan diagonal EBM K1G200-AA89-13	4	ST	
197	365227	cable harness fan Vento Air SV K1 WH	1	ST	
198	365228	cable harness fan Vento Air SV K2BU	1	ST	
204	372787	cable harness fan Vento SV 178/198 USA KT	1	ST	
208	364283	compressor cable Vento SV ZB07 USA 1circle	1	ST	
209	364284	compressor cable Vento SV ZB07 USA 2circle	1	ST	
210	352344	sensor Vento 250/375 Air out	1	ST	
211	352345	sensor Vento 250/375 Defrost	1	ST	
212	352346	sensor Vento 250/375 Product	1	ST	
213	209151	cable light Vento UL/VDE	1	ST	
214	410752	distributor shelf lightening ICC 3400mm BK	1	ST	
400	210142	cable LED Strips 1100mm	2	ST	

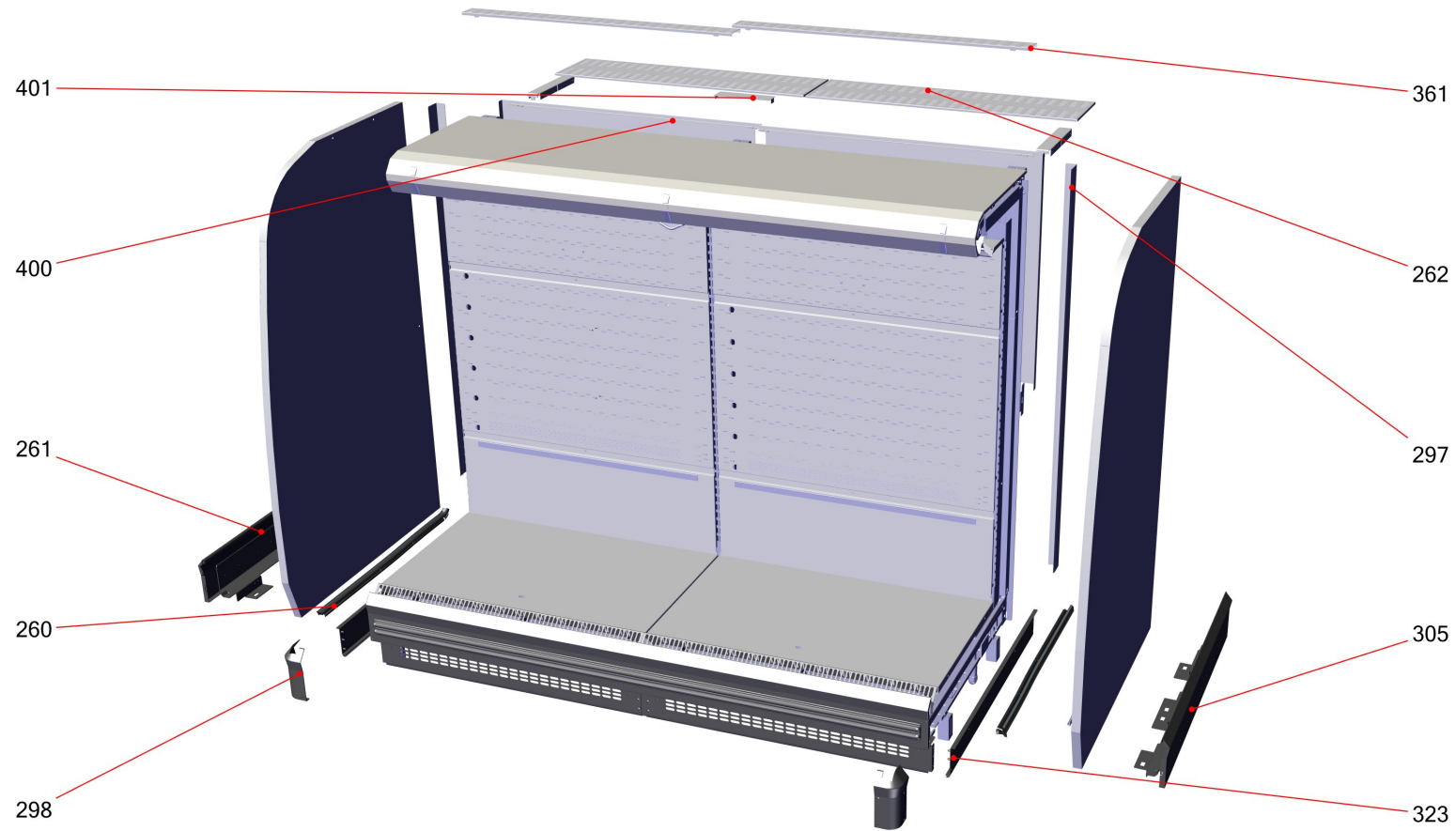
# controlling board MC Air 2Cycle USA G5 SLED (364393)



**controlling board MC Air 2Cycle USA G5 SLED (364393)**

Item no.	Article no.	Description	Quantity	Unit
93	360968	connection cable Vento UL L15-20P	1	ST
96	276845	bus board Secop SLV	1	ST
148	337753	3 phase softstarter RSBT Scroll compressor	2	ST
163	<a href="#">334120</a>	switch Everel R290 SXL532A1H200W	1	ST
216	347792	pack controller Emerson ECB I2 ECB 10	1	ST
326	395043	controller Vento Emerson ECB-D10 V9.02	1	ST
414	400729	bus line intern Cat5 1,2m	1	ST
421	363655	glass tube fuse T 1,6A x10	1	ST
422	357839	solid state relay Carlo Gavazzi RGC3A 3-pole	2	ST

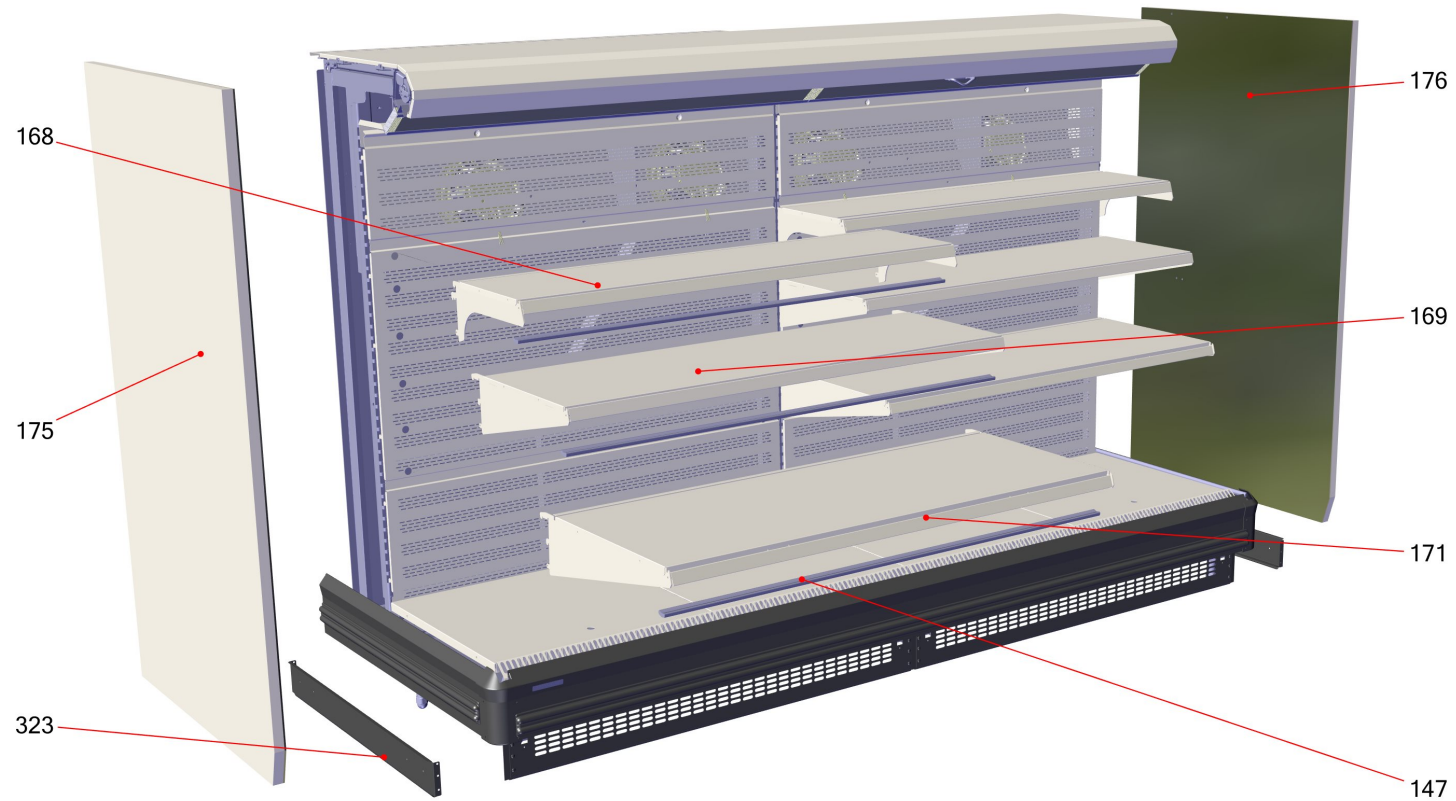
## Module end cabinet VENTO (431745)



## Module end cabinet VENTO (431745)

Item no.	Article no.	Description	Quantity	Unit
	363691	connection kit Vento250 row EC198 SV white9010	1	ST
	356008	connection kit Vento198 Zeile EC198 SV white9010	1	ST
260	329234	seal profile le+ri Vento LS/HS6	1	ST
261	363687	base cover transition left Vento SV Slim NCS6500	1	ST
262	361351	cover device Vento SV EC198 white9010	2	ST
297	363684	cover bracket sidewall Vento SV white9010	2	ST
298	351057	salient angle set Vento SV NCS6500	1	ST
305	363685	base cover on the side right SV EC Slim NCS6500	1	ST
323	348534	kickplate set side Vento SV EC NCS6500	1	ST
400	364449	back cover le/ri Vento SV EC198 white 9010	1	ST
401	363689	cover plate side wall Vento SV EC198 white 9010	1	ST

# Accessories VENTO (431730)



## Accessories VENTO (431730)

Item no.	Article no.	Description	Quantity	Unit
	374250	accessory box Vento SV 250 open USA G5	1	ST
147	325328	shelf light LTG 4000K 250/375	1	ST
147	325329	shelf light LTG 5000K 250/375	1	ST
147	325578	shelf light LTG red076 250/375	1	ST
168	357589	shelf + holder Vento Slim 300mm0/8° black9005	1	ST
169	375474	shelf + holder Slim 350mm 0/8° black9005	1	ST
170	357591	shelf + holder Vento Slim 450mm0/8° black9005	1	ST
175	364438	sidewall Panorama Vento SV left white 9010	1	ST
176	364439	sidewall Panorama Vento SV right white 9010	1	ST