

540020

540020

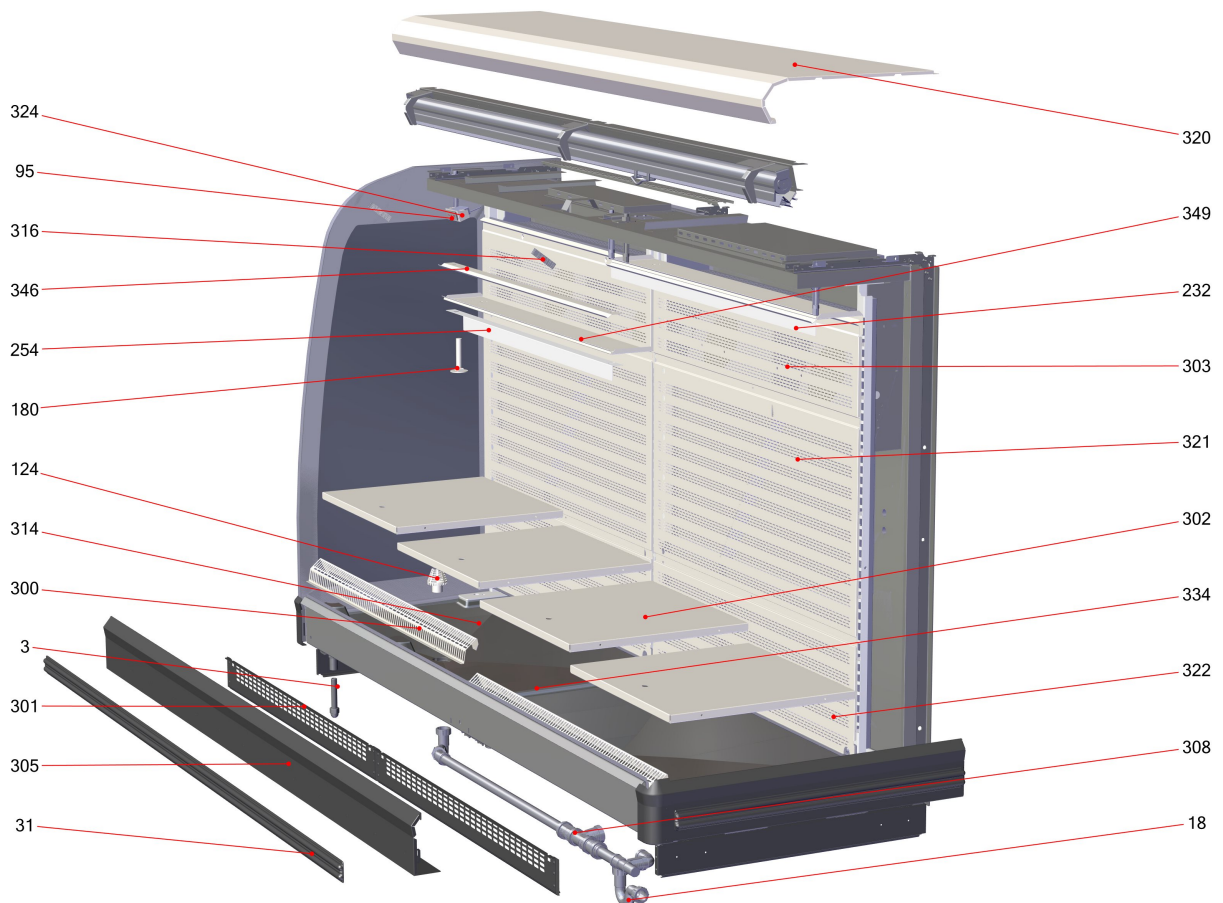
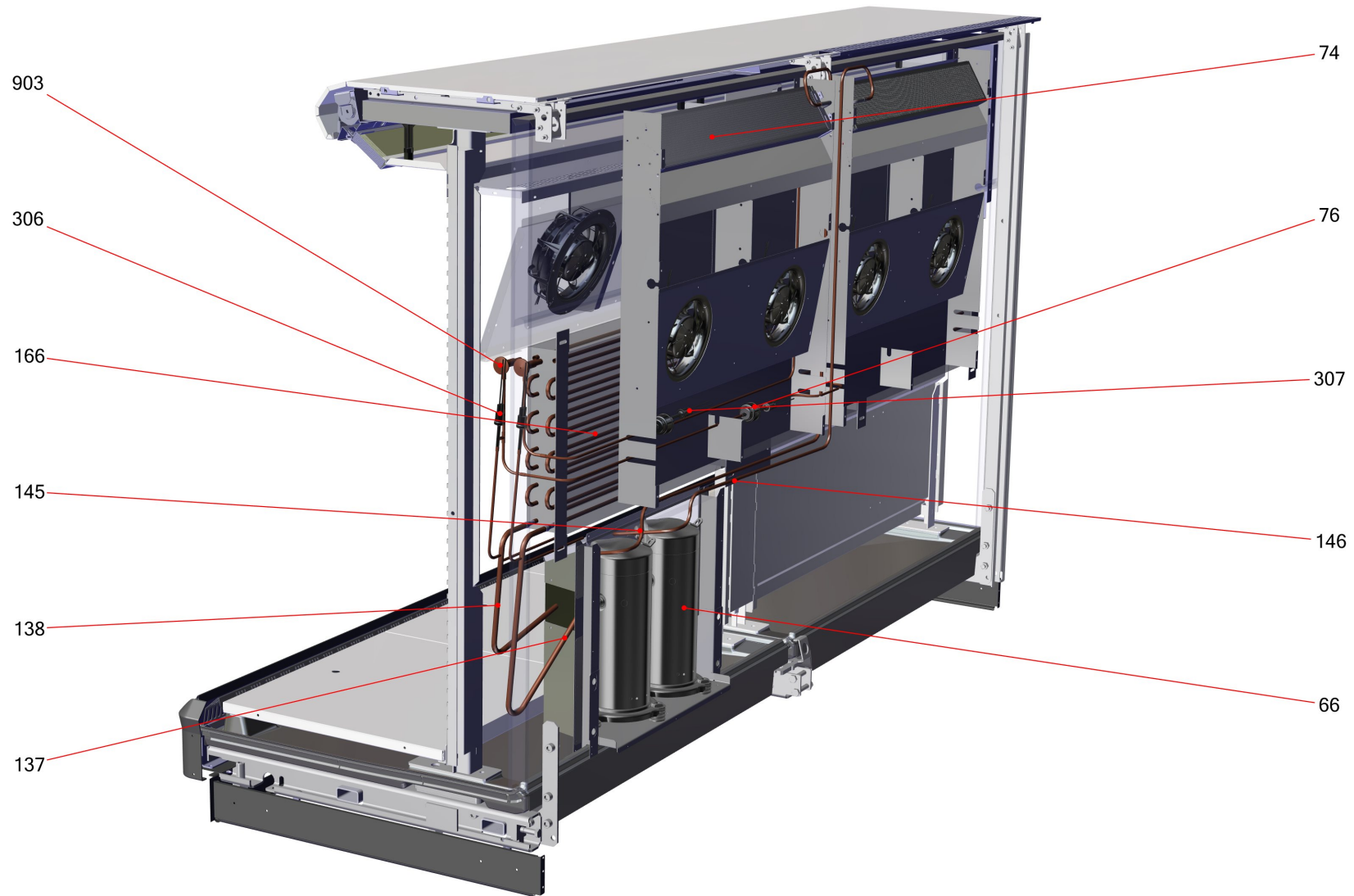


Table of contents

Refrigeration VENTO (431724)	3
Electrics VENTO (431725)	5
controlling board MC Air 2Cycle USA G5 SLED (364393)	8
Module roller blind VENTO (364403)	10
Accessories VENTO (431726)	12

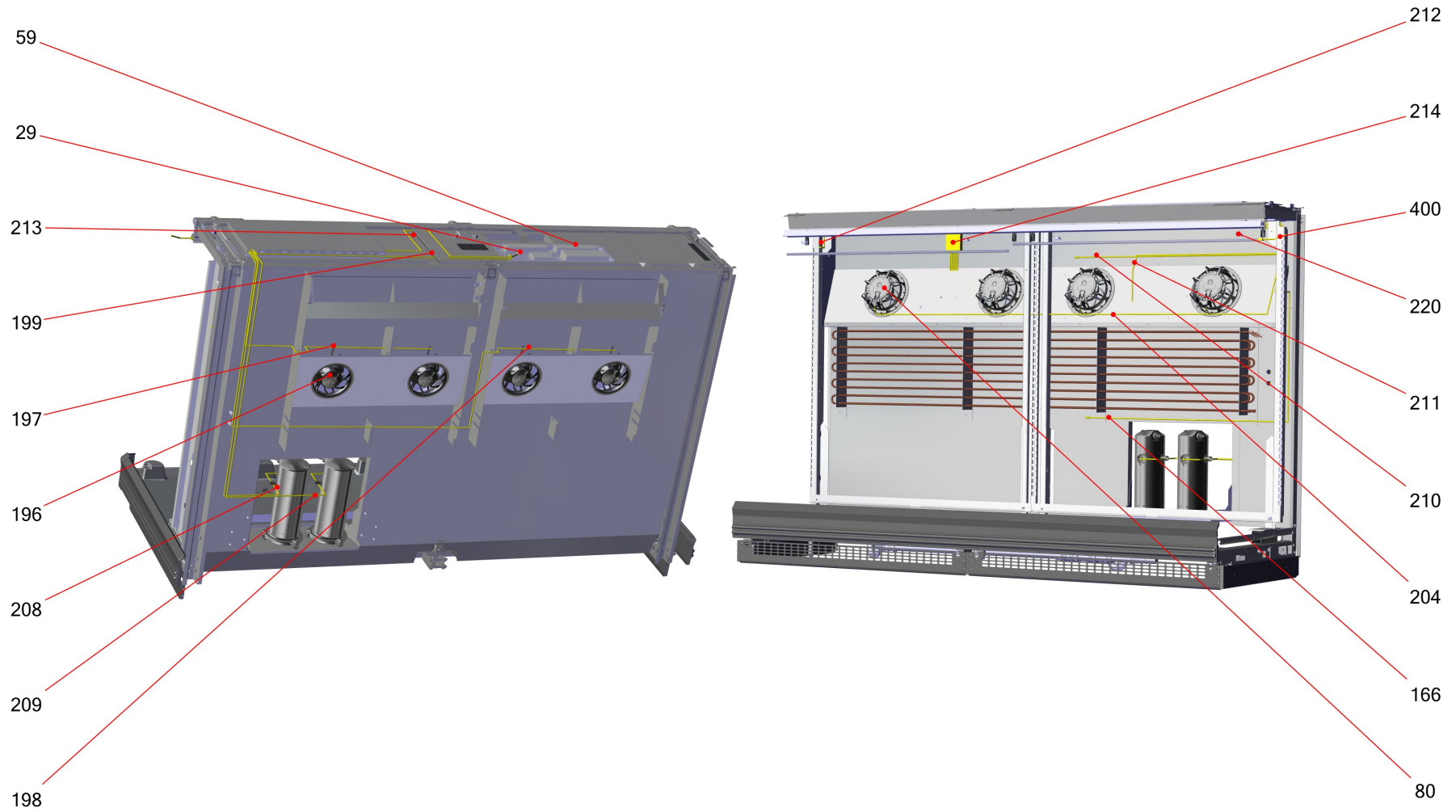
Refrigeration VENTO (431724)



Refrigeration VENTO (431724)

Item no.	Article no.	Description	Quantity	Unit
	436534	KLAMMER SANHUA RFK-000-025003 Ø12mm	2	ST
1	437646	EVAPORATOR VENTO GM 250 2C +TXV V2	1	ST
66	373304	compressor Scroll ZB07KAU-TF5 XXP R290 USA	2	ST
74	351950	condenser SV Sanhua ex bracket angle AHT039	1	ST
76	351965	filter dryer DML 1.52x2/2x 46bar	2	ST
137	395307	suction pipe Vento circle1 press. TXV V2	1	ST
138	395308	suction pipe Vento circle2 press. TXV V2	1	ST
145	367104	pressure pipe CUØ8x1,0 Vento SV250 Air USA 1circle	1	ST
146	367105	pressure pipe CUØ8x1,0 Vento SV250 Air USA 2circle	1	ST
306	401654	pressostat low pressure Vento ACB-4UA 2800 Danfoss	1	ST
307	401649	pressostat high pressure Vento ACB-4UB 1000 Danfoss	1	ST
903	351963	expansion valve TLK 2,0 R290	2	ST

Electrics VENTO (431725)



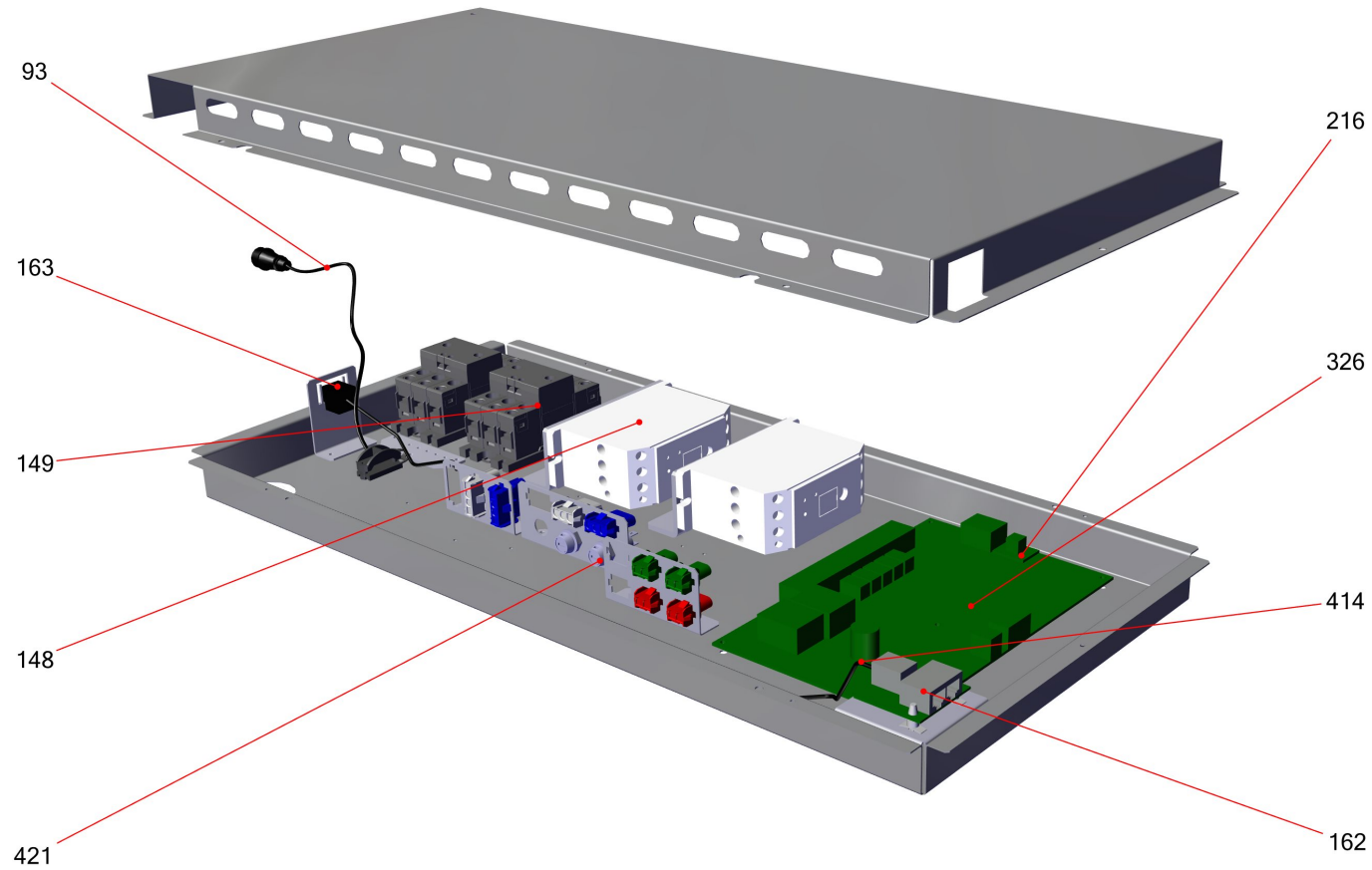
Electrics VENTO (431725)

Item no.	Article no.	Description	Quantity	Unit	Picture
	364393	controlling board MC Air 2Cycle USA G5 SLED	1	ST	
59	309594	LED driver 100-240V/80W/50-60 HZ	3	ST	
80	364689	fan diagonal EBM DRZ 1100/1200	2	ST	
80	390656	fan diagonal EBM K1G200-AA84-25	6	ST	
111	410763	distributor shelf Vento ICC 2100mm WH	1	ST	
166	352343	sensor Vento 250/375 Air in	1	ST	
196	321893	fan diagonal EBM DRZ 1300/1300	2	ST	
196	308786	fan diagonal EBM K1G200-AA89-13	3	ST	
197	365227	cable harness fan Vento Air SV K1 WH	1	ST	
198	365228	cable harness fan Vento Air SV K2BU	1	ST	
204	390917	wire harness fan Vento 375	1	ST	
204	364287	cable harness fan Vento SV 250 USA	1	ST	
208	364283	compressor cable Vento SV ZB07 USA 1circle	1	ST	
209	364284	compressor cable Vento SV ZB07 USA 2circle	1	ST	
210	352344	sensor Vento 250/375 Air out	1	ST	
211	352345	sensor Vento 250/375 Defrost	1	ST	
212	352346	sensor Vento 250/375 Product	1	ST	
213	209151	cable light Vento UL/VDE	1	ST	
214	410764	distributor shelf lightening ICC 3400mm WH	1	ST	
400	210142	cable LED Strips 1100mm	3	ST	

Electrics VENTO (431725)

Item no.	Article no.	Description	Quantity	Unit	Picture
429	410765	distributor shelf light ICC 4700mm WH	1	ST	

controlling board MC Air 2Cycle USA G5 SLED (364393)

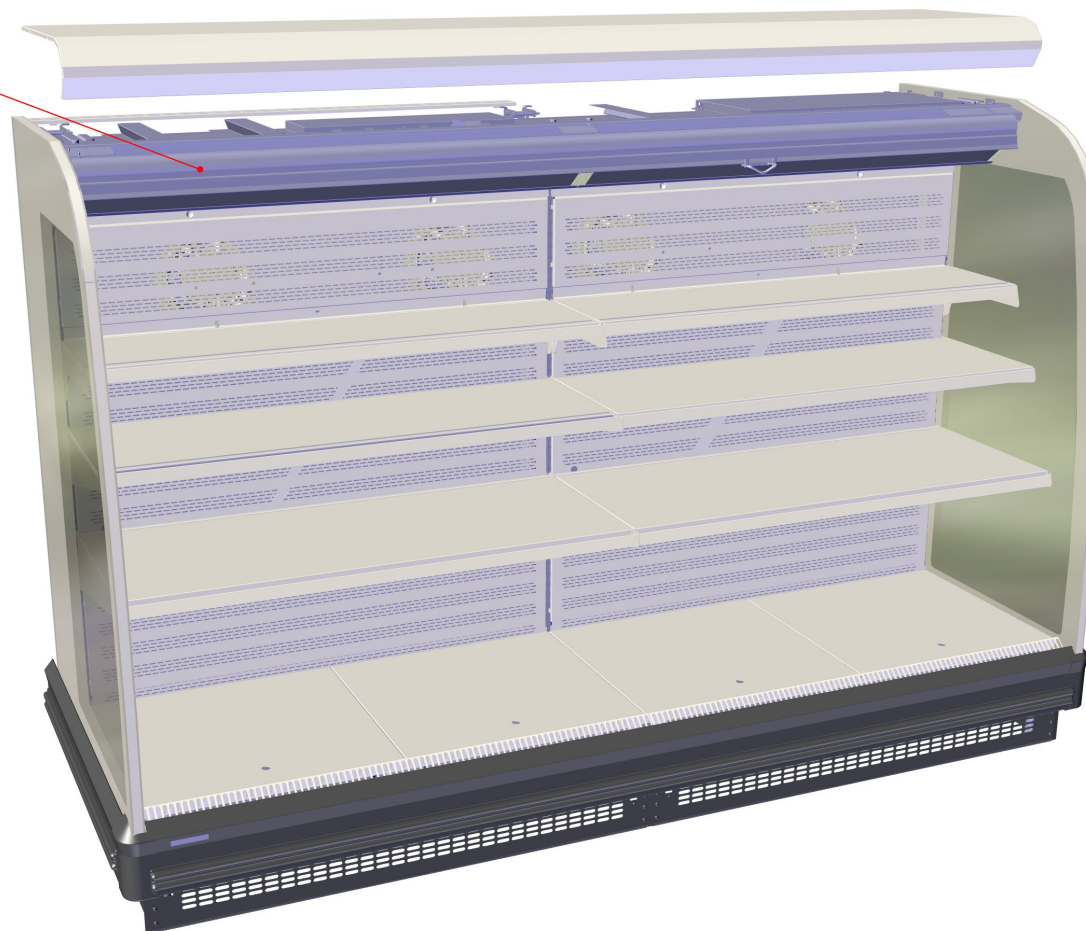


controlling board MC Air 2Cycle USA G5 SLED (364393)


Item no.	Article no.	Description	Quantity	Unit
93	360968	connection cable Vento UL L15-20P	1	ST
96	276845	bus board Secop SLV	1	ST
148	337753	3 phase softstarter RSBT Scroll compressor	2	ST
163	334120	switch Everel R290 SXL532A1H200W	1	ST
216	347792	pack controller Emerson ECB I2 ECB 10	1	ST
326	395043	controller Vento Emerson ECB-D10 V9.02	1	ST
414	400729	bus line intern Cat5 1,2m	1	ST
421	363655	glass tube fuse T 1,6A x10	1	ST
422	357839	solid state relay Carlo Gavazzi RGC3A 3-pole	2	ST

Module roller blind VENTO (364403)

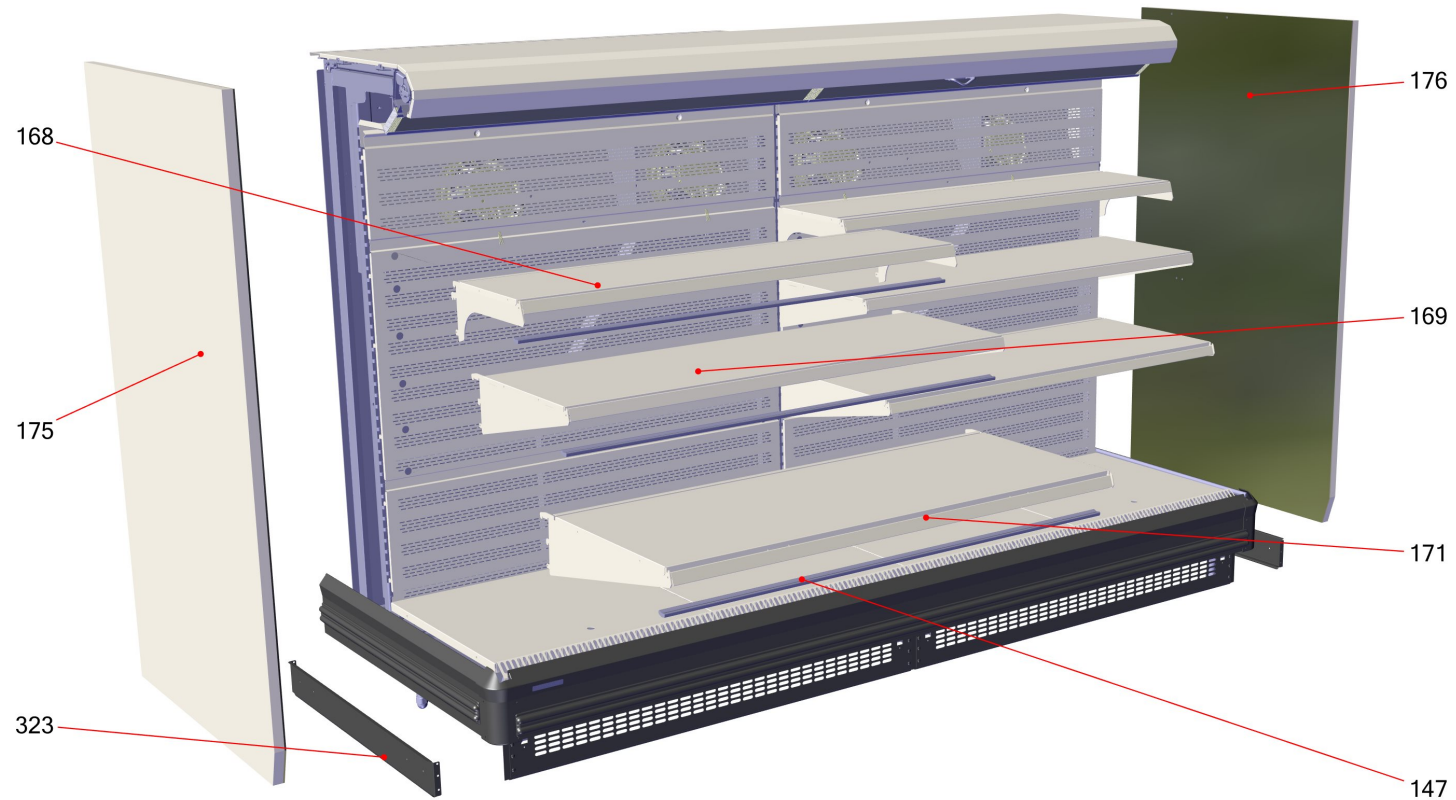
257



Module roller blind VENTO (364403)

Item no.	Article no.	Description	Quantity	Unit	Picture
257	351108	roller blind+motor Vento SV 250	1	ST	

Accessories VENTO (431726)



Accessories VENTO (431726)

Item no.	Article no.	Description	Quantity	Unit
	374250	accessory box Vento SV 250 open USA G5	1	ST
147	325328	shelf light LTG 4000K 250/375	1	ST
147	325329	shelf light LTG 5000K 250/375	1	ST
147	325578	shelf light LTG red076 250/375	1	ST
168	357589	shelf + holder Vento Slim 300mm0/8° black9005	1	ST
169	375474	shelf + holder Slim 350mm 0/8° black9005	1	ST
170	357591	shelf + holder Vento Slim 450mm0/8° black9005	1	ST
175	364438	sidewall Panorama Vento SV left white 9010	1	ST
176	364439	sidewall Panorama Vento SV right white 9010	1	ST