

459976

459976

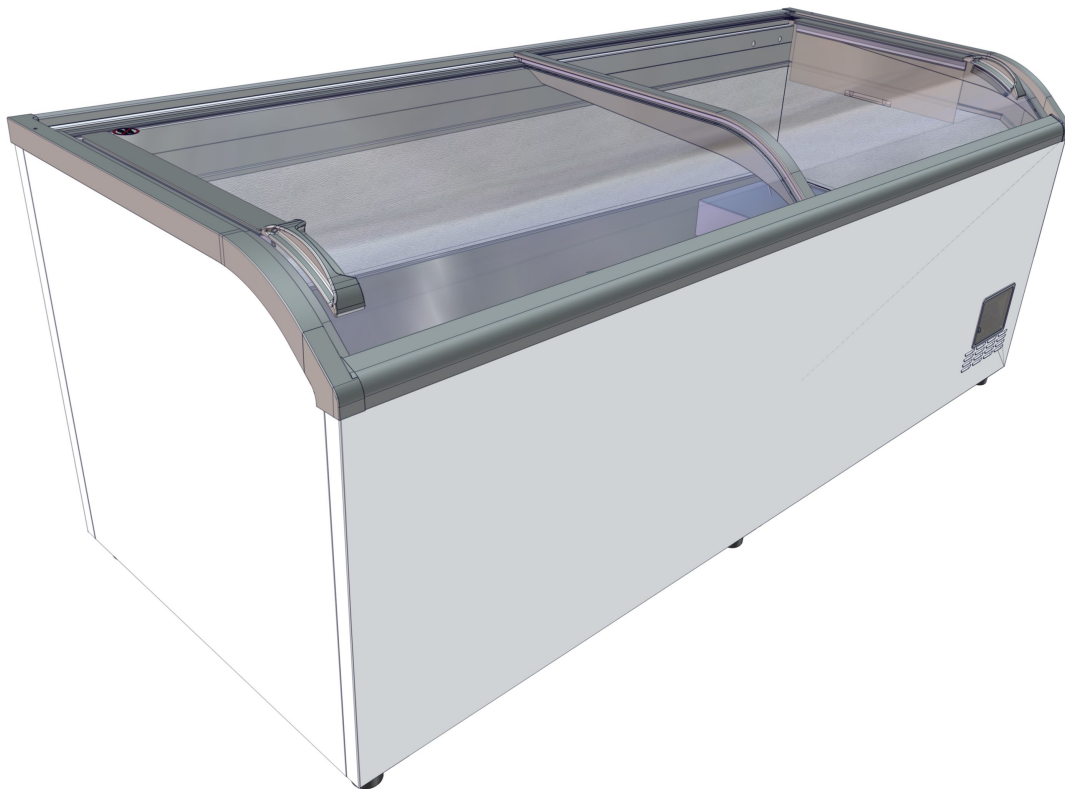
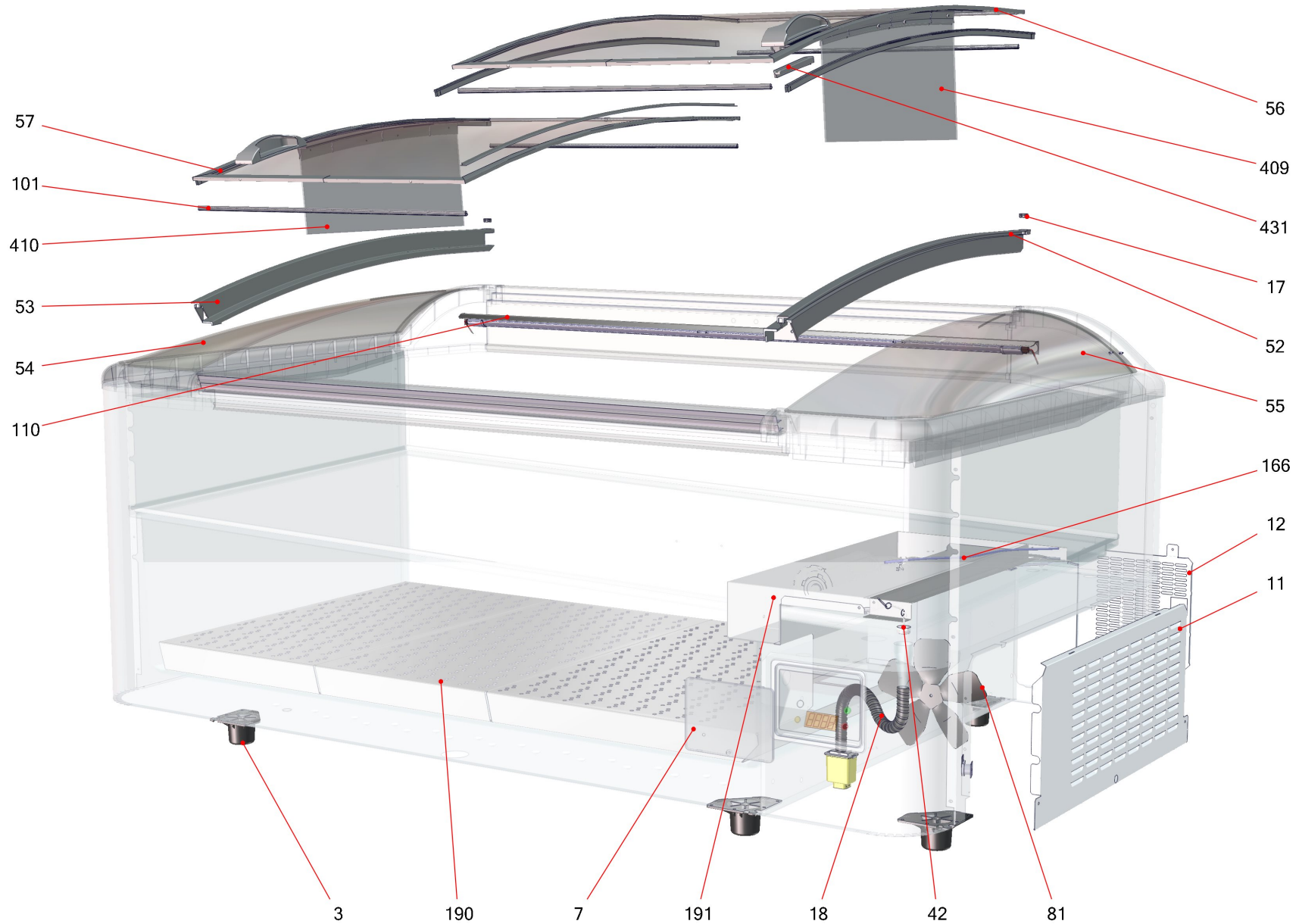


Table of contents

Basic unit PARIS (434208)	3
Refrigeration chest cooler (434315)	5
Electrics PARIS (434209)	7

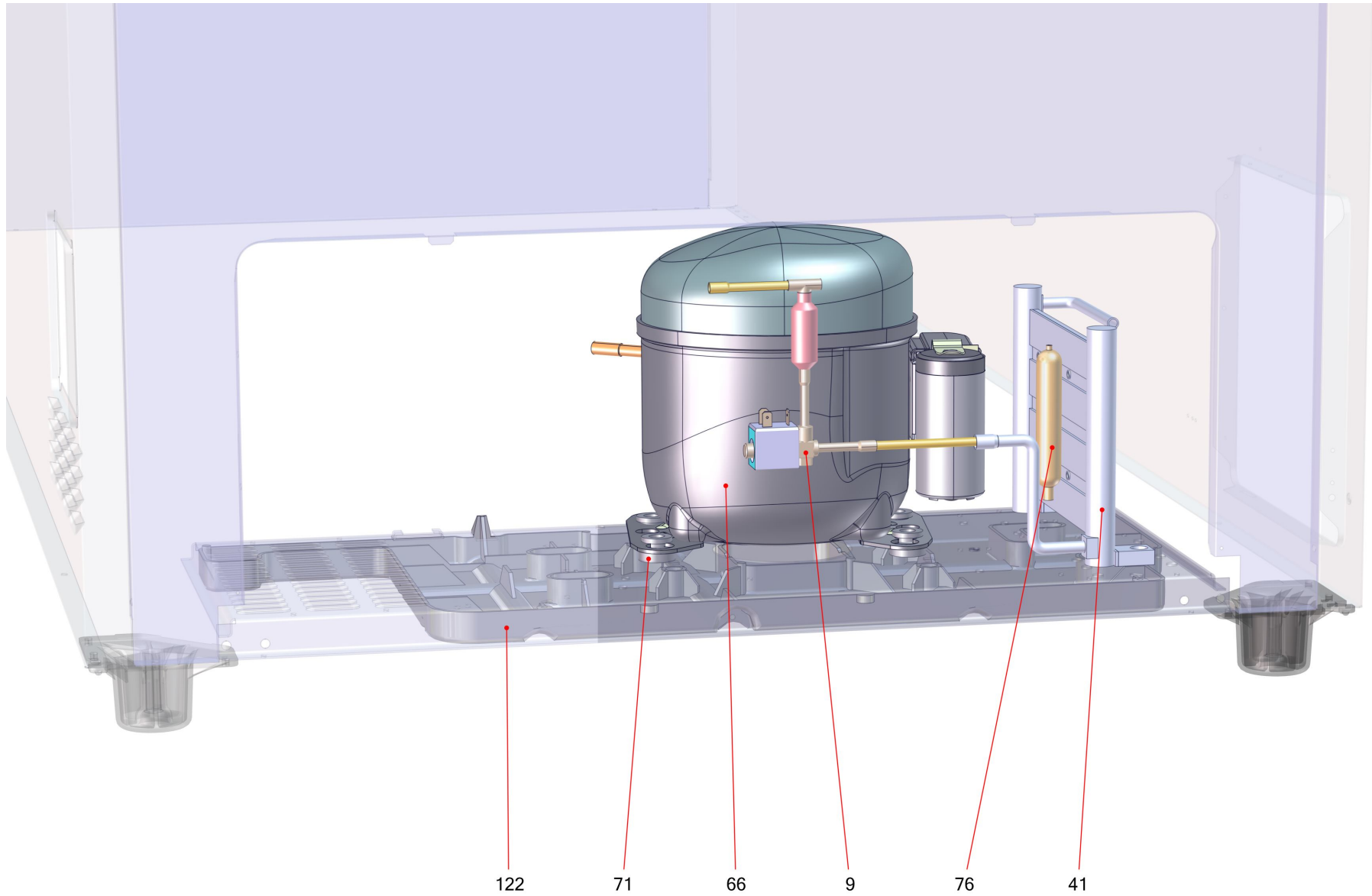
Basic unit PARIS (434208)



Basic unit PARIS (434208)

Item no.	Article no.	Description	Quantity	Unit
3	441238	roller foot thread Jumbo	6	ST
3	277091	sliding part 00/6500-00.00-00.18.00 36,5mm	6	ST
7	229877	cover controll unit front	1	ST
11	287200	air grill Jumbo black9005	1	ST
12	214518	air grill back Jumbo PS GP grey7045	1	ST
18	276715	siphon evaporatorbox	1	ST
18	278377	lid siphon evaporation tray	1	ST
18	275812	tube 14x19mm 50m FFPYL-MOD-BS	2	M
56	230413	lid upper Paris210 Eco grey7045	1	ST
57	230414	lid lower Paris210 Eco grey7045	1	ST
101	361773	seal set supermarket	1	ST
190	427287	air outlet canal set row Montreal	1	ST
191	433951	blower carrier edged Jumbo 120/60 UL Nam1	1	ST
431	467244	buffer upper lid Athen Eco EF	1	ST

Refrigeration chest cooler (434315)



Refrigeration chest cooler (434315)

Item no.	Article no.	Description	Quantity	Unit
9	470556	MAGNETVENT KPL. NLV 120 LOKR.RHØ8ZHZ KT	1	ST
41	370786	additional heather Sanhua HX-L125-99-AHT055	1	ST
66	373529	compressor Secop NLV12.6CN 105H6355	1	ST
66	114798	lid with mounting bracked 103N2009	1	ST
71	5039	rubber pad compressor black	1	ST
76	342854	filter dreyer XH9 12,5G Lokring	1	ST
122	276714	evaporator box Jumbo AD	1	ST

Electrics PARIS (434209)

Item no.	Article no.	Description	Quantity	Unit
10	365520	control unit Secop GP grey7045	1	ST
41	413175	heat plate HP13 3/22 A-P-100-240V SKII	2	ST
59	309594	LED driver 100-240V/80W/50-60 HZ	1	ST
61	429976	LED-set strips CW LP Miami 210	1	ST
68	434130	FI-switch ABB GFCI 110V	1	ST
80	440133	fan EBM QLZ06/1800-iQ3608 120/60 UL	1	ST
80	402913	fan ECR2-371 Wellington + cable GP	1	ST
81	203025	fan blade UL DM200 4VEA009/IMB	1	ST
93	335196	connection cable IEC UL 5-15P device+barcode	1	ST
95	266479	control panel Secop SLV105N9510 TYP CRA162	1	ST
96	203705	bus board Secop GP	1	ST
123	267095	cable connector control panel SLV 105N9509	1	ST
165	335725	sensor floor T1 GP UL NAM red	1	ST
166	419637	sensor air T2 GP blue 2times Roll+Verg	1	ST
167	419636	sensor limit T4 GP yellow 2x Roll+Verg.	1	ST
400	368034	LED-cable set Miami Eco 185(U) CW	1	ST
405	424032	controller NLV/GP 110-240V 50/60Hz 4668	1	ST
414	400729	bus line intern Cat5 1,2m	1	ST