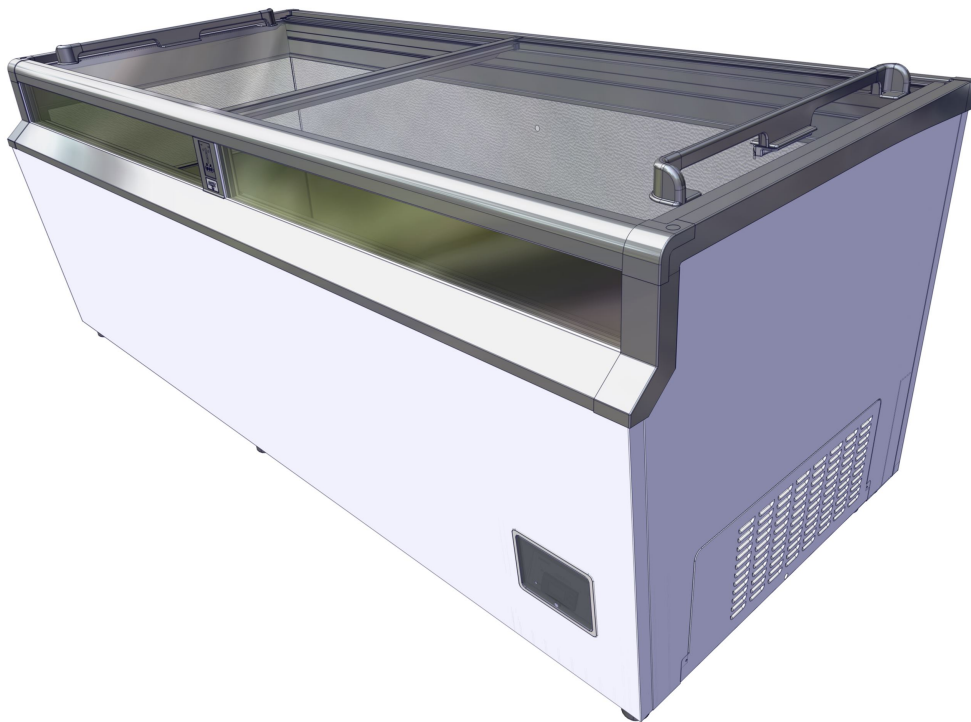


**434244**

**434244**

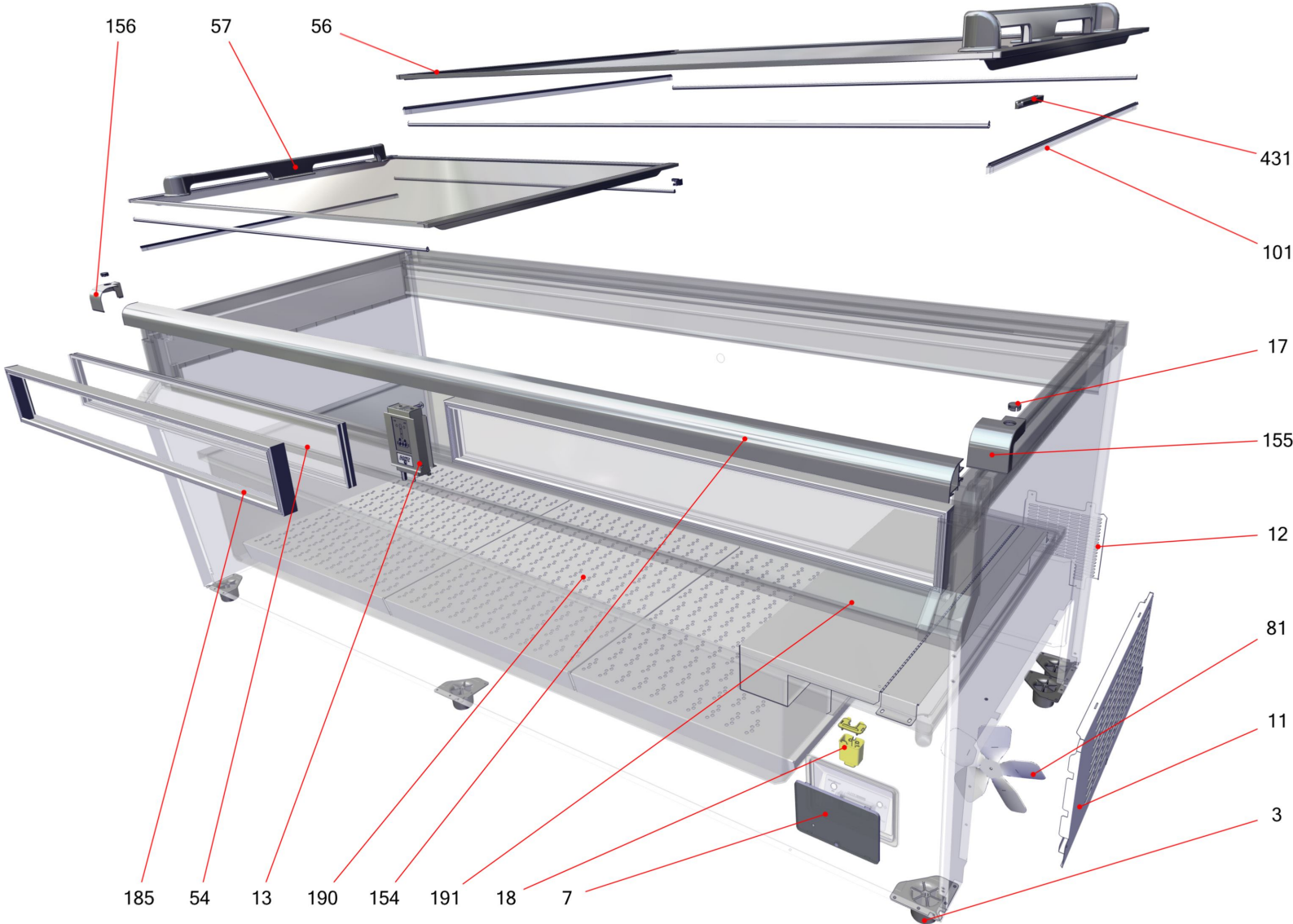


## Table of contents

---

Basic unit SYDNEY (434257)	3
Refrigeration chest cooler (434315)	5
Electrics SYDNEY (434251)	7

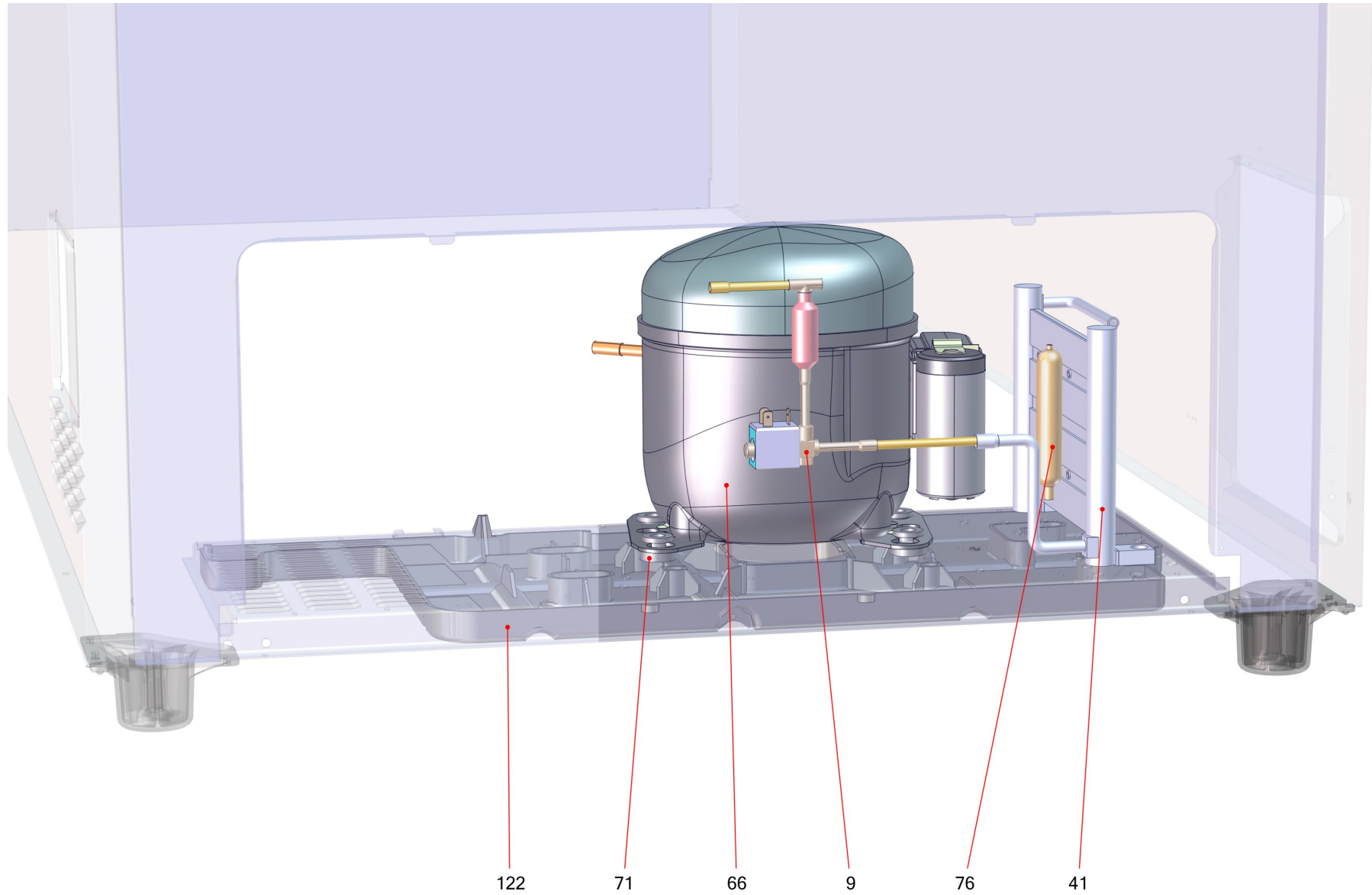
# Basic unit SYDNEY (434257)



## Basic unit SYDNEY (434257)

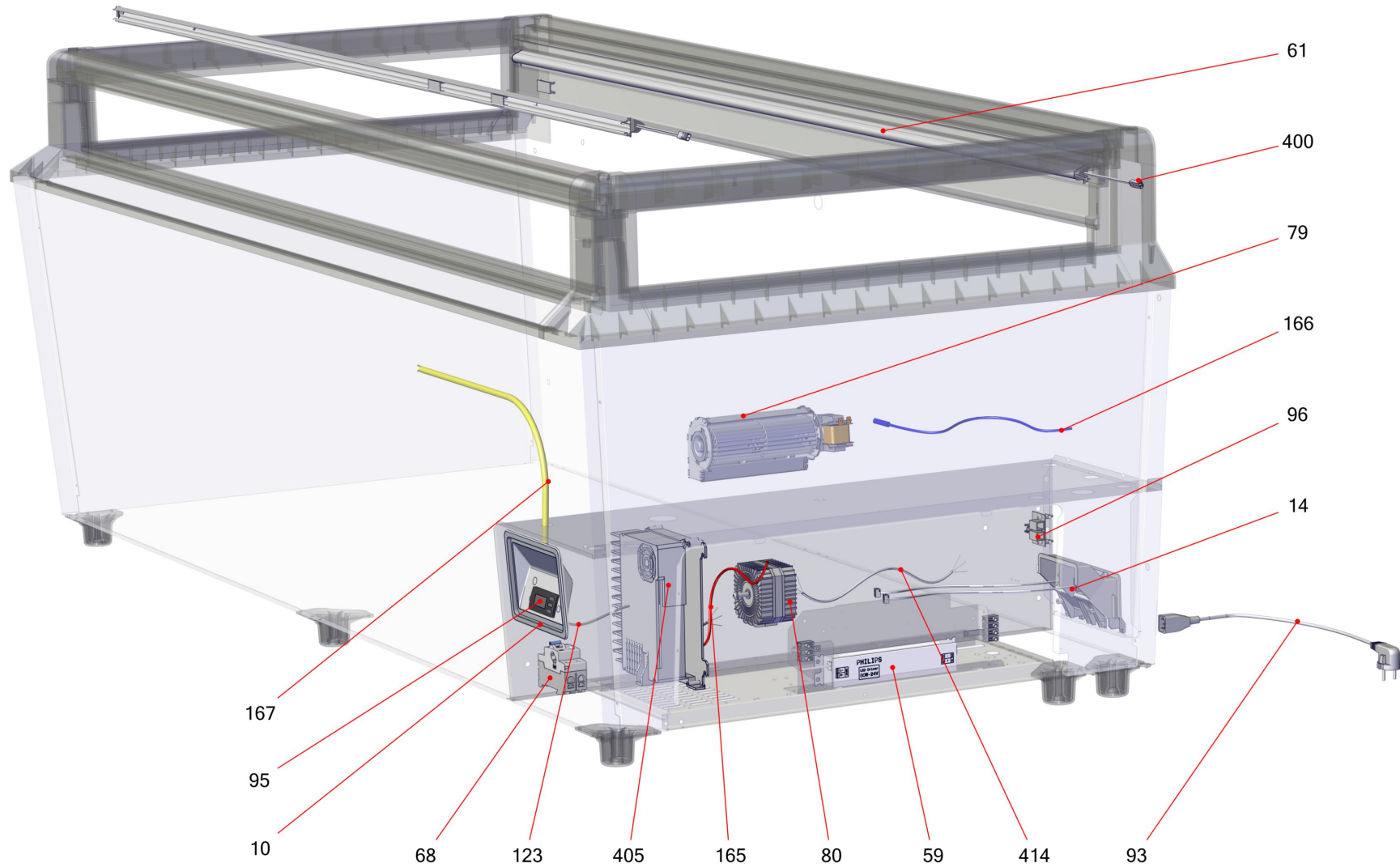
Item no.	Article no.	Description	Quantity	Unit
3	373228	extension feet VFU 35+gliding piece 36,5mm	8	ST
7	<a href="#">229877</a>	cover controll unit front	1	ST
11	<a href="#">335176</a>	air grill Jumbo coated grey7044	1	ST
12	469494	air grille back Jumbo grey7037 GP	1	ST
13	371891	central web Sydney blind cover	1	ST
17	235911	plug Paris185 ABS grey7045	2	ST
18	276715	siphon evaporatorbox	1	ST
18	278377	lid siphon evaporation tray	1	ST
54	372049	frontglass Sydney 210	2	ST
56	<a href="#">345729</a>	lid upper Sydney210XL grey7045	1	ST
57	<a href="#">340000</a>	lid lower Sydney210XL grey7045	1	ST
81	<a href="#">203025</a>	fan blade UL DM200 4VEA009/IMB	1	ST
101	<a href="#">361773</a>	seal set supermarket	1	ST
154	324686	cover frame face plate Sydney210	1	ST
155	304238	cover side frame right Sydney grey7045	1	ST
156	304239	cover side frame left Sydney grey7045	1	ST
185	324692	frame seal profil welded Sydney210	2	ST
190	427287	air outlet canal set row Montreal	1	ST
191	433951	blower carrier edged Jumbo 120/60 UL Nam1	1	ST
431	467244	buffer upper lid Athen Eco EF	1	ST

## Refrigeration chest cooler (434315)



## Refrigeration chest cooler (434315)

Item no.	Article no.	Description	Quantity	Unit
9	470556	MAGNETVENT KPL. NLV 120 LOKR.RHØ8ZHZ KT	1	ST
41	370786	additional heather Sanhua HX-L125-99-AHT055	1	ST
66	<a href="#">373529</a>	compressor Secop NLV12.6CN 105H6355	1	ST
66	114798	lid with mounting bracked 103N2009	1	ST
71	5039	rubber pad compressor black	1	ST
76	<a href="#">342854</a>	filter dreyer XH9 12,5G Lokring	1	ST
122	276714	evaporator box Jumbo AD	1	ST



## Electrics SYDNEY (434251)

Item no.	Article no.	Description	Quantity	Unit
10	365520	control unit Secop GP grey7045	1	ST
14	428105	IEC-connector set GP LI GR ZHZ NAM RCCB	1	ST
41	413175	heat plate HP13 3/22 A-P-100-240V SKII	2	ST
59	<a href="#">309594</a>	LED driver 100-240V/80W/50-60 HZ	1	ST
61	<a href="#">372047</a>	LED tube Strips Sydney 210 NW	1	ST
68	434130	FI-switch ABB GFCI 110V	1	ST
80	402913	fan ECR2-371 Wellington + cable GP	1	ST
80	440133	fan EBM QLZ06/1800-iQ3608 120/60 UL	1	ST
93	335196	connection cable IEC UL 5-15P device+barcode	1	ST
93	<a href="#">373377</a>	connection cable IEC US C5 light+barcode	1	ST
95	<a href="#">266479</a>	control panel Secop SLV105N9510 TYP CRA162	1	ST
96	203705	bus board Secop GP	1	ST
123	267095	cable connector control panel SLV 105N9509	1	ST
165	335725	sensor floor T1 GP UL NAM red	1	ST
166	<a href="#">419637</a>	sensor air T2 GP blue 2times Roll+Verg	1	ST
167	335726	sensor limit T4 GP UL NAM yellow	1	ST
400	372048	cableset LED Strips Sydney 210 NW	1	ST
405	424032	controller NLV/GP 110-240V 50/60Hz 4668	1	ST
414	400729	bus line intern Cat5 1,2m	1	ST