

**433980**

433980

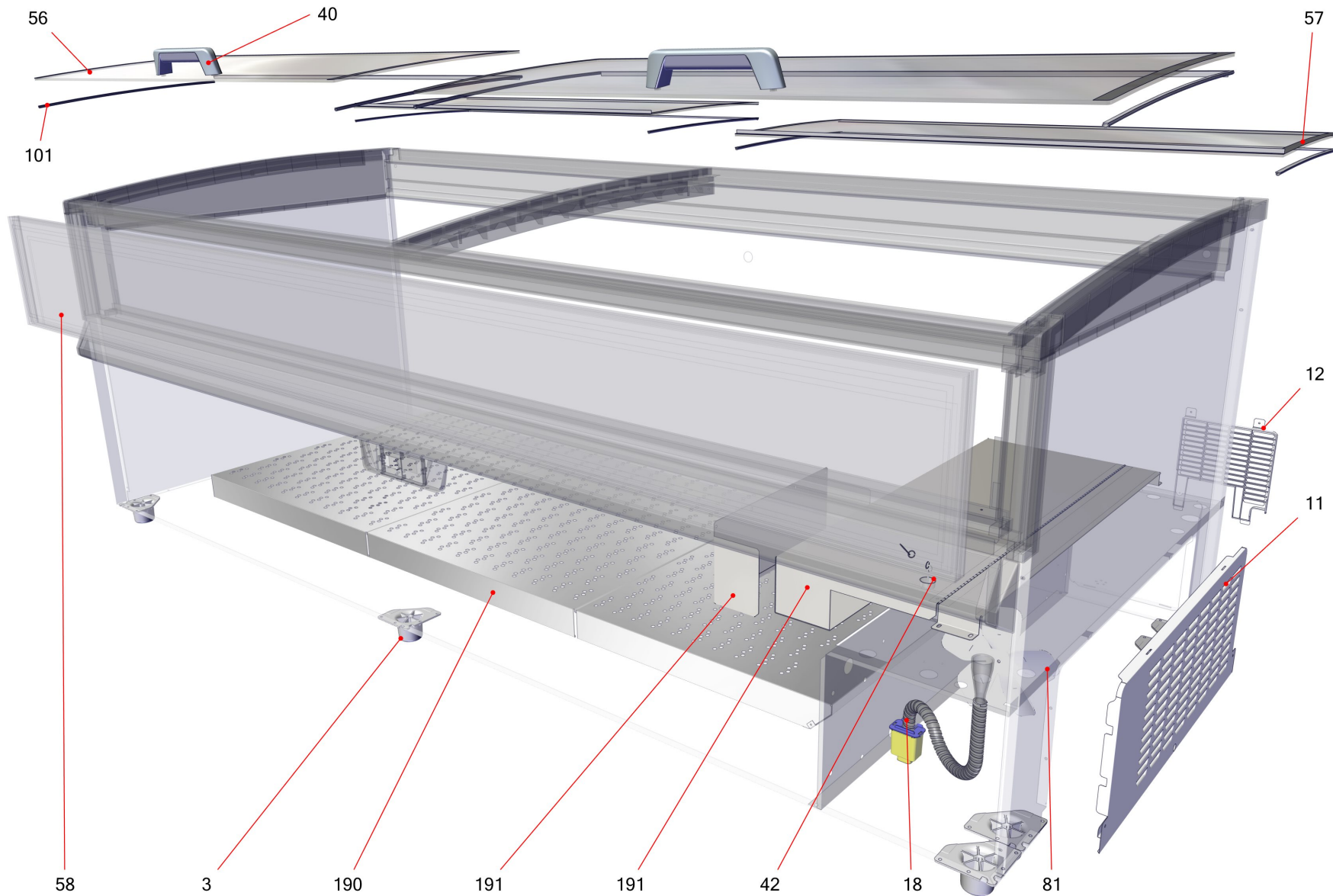


## Table of contents

---

Basic unit MONTREAL (433996)	3
Refrigeration chest cooler (434315)	5
Electrics MONTREAL (433966)	7

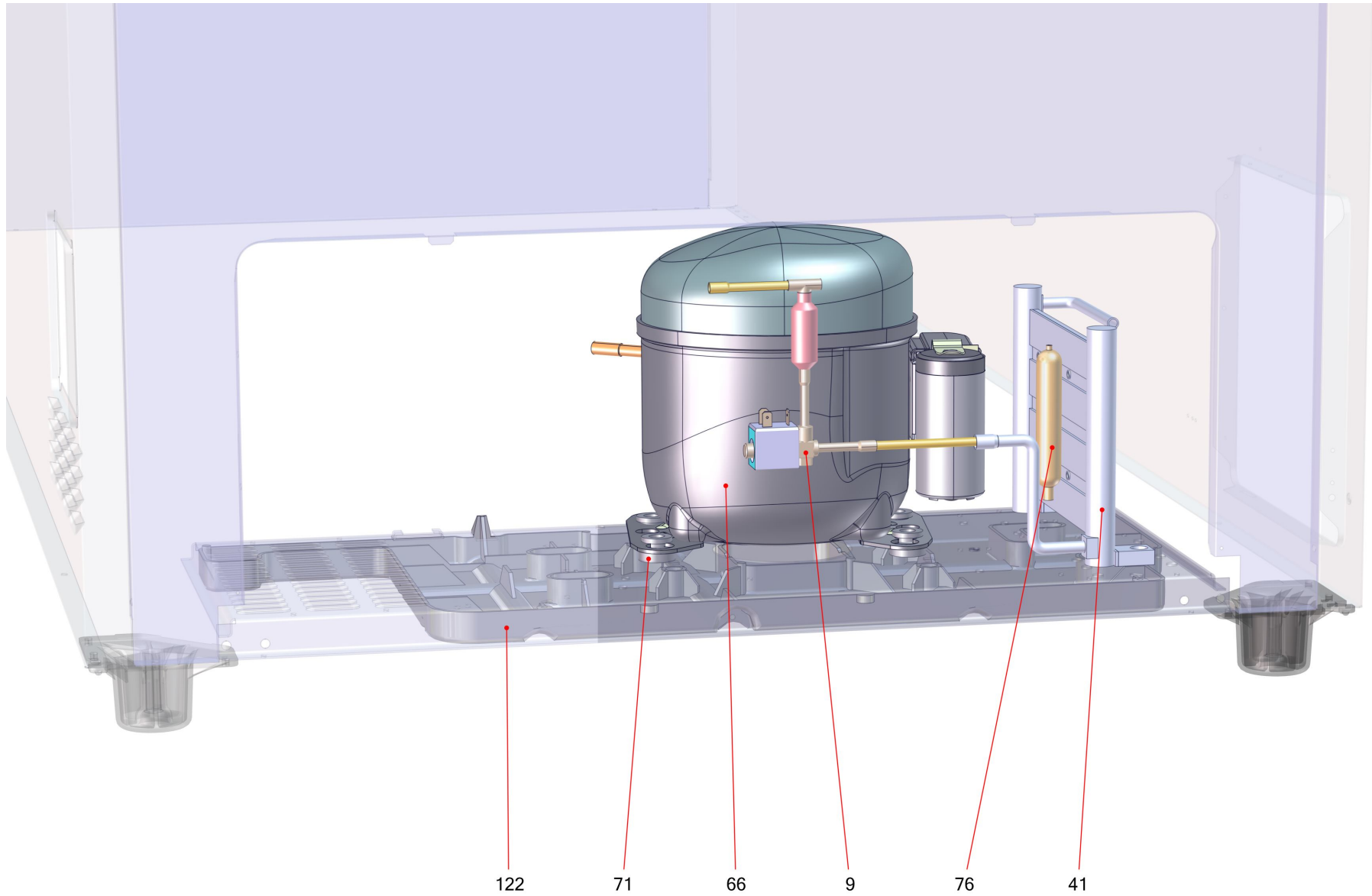
# Basic unit MONTREAL (433996)



## Basic unit MONTREAL (433996)

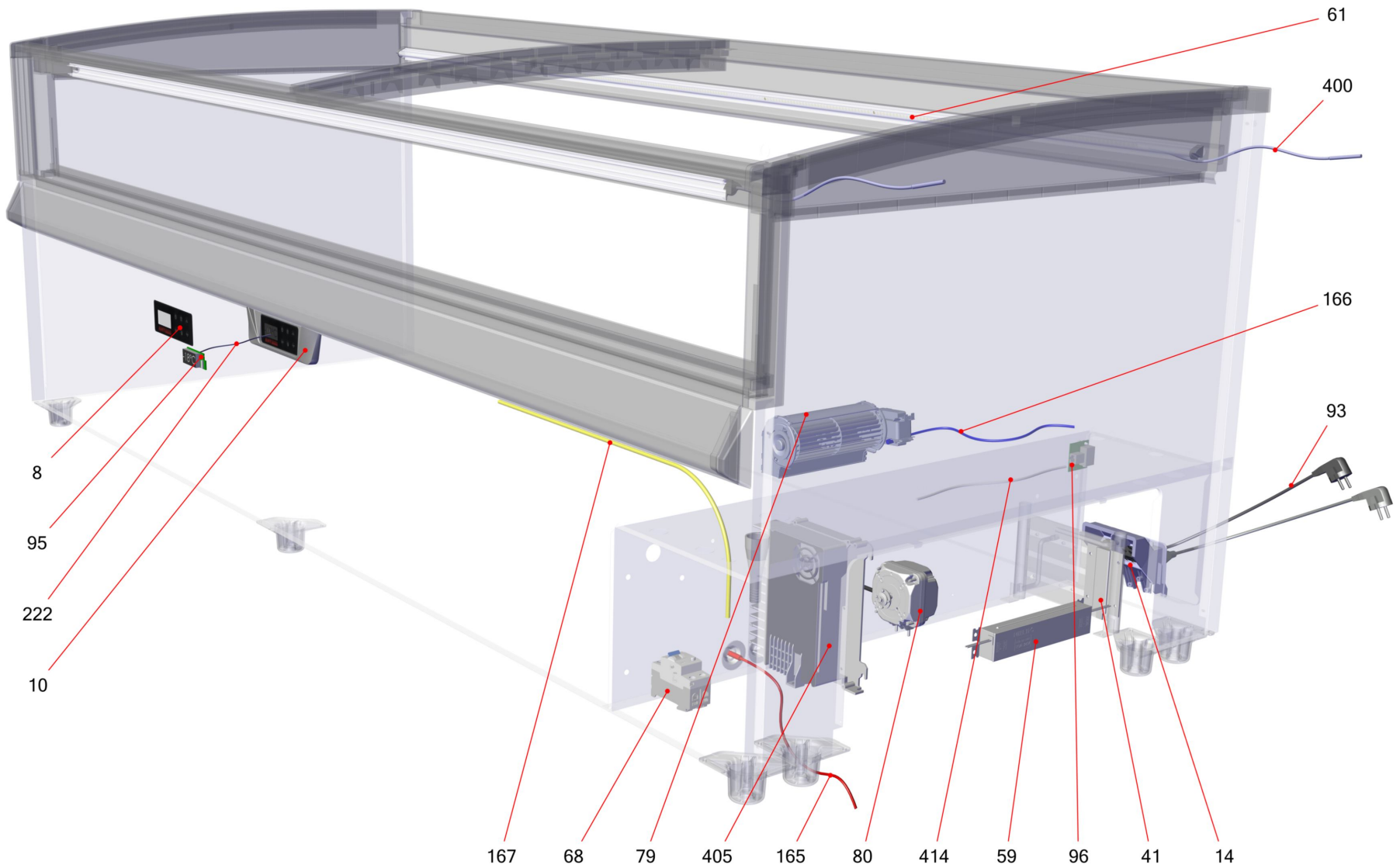
Item no.	Article no.	Description	Quantity	Unit
3	235456	sliding base 235456	6	ST
11	287200	air grill Jumbo black9005	1	ST
12	214518	air grill back Jumbo PS GP grey7045	1	ST
18	278377	lid siphon evaporation tray	1	ST
18	276715	siphon evaporatorbox	1	ST
56	402779	lid front Montreal Slim 210 PBL grey7045	2	ST
57	402780	lid back Montreal Slim 210 PBL grey7045	2	ST
58	434225	front glass Montreal 210	1	ST
81	<a href="#">203025</a>	fan blade UL DM200 4VEA009/IMB	1	ST
101	427900	seal set front Montreal	1	ST
101	370418	seal set back Montreal	1	ST
190	427287	air outlet canal set row Montreal	1	ST
191	433951	blower carrier edged Jumbo 120/60 UL Nam1	1	ST

## Refrigeration chest cooler (434315)



## Refrigeration chest cooler (434315)

Item no.	Article no.	Description	Quantity	Unit
9	470556	MAGNETVENT KPL. NLV 120 LOKR.RHØ8ZHZ KT	1	ST
41	370786	additional heather Sanhua HX-L125-99-AHT055	1	ST
66	<a href="#">373529</a>	compressor Secop NLV12.6CN 105H6355	1	ST
66	114798	lid with mounting bracked 103N2009	1	ST
71	5039	rubber pad compressor black	1	ST
76	<a href="#">342854</a>	filter dreyer XH9 12,5G Lokring	1	ST
122	276714	evaporator box Jumbo AD	1	ST



## Electrics MONTREAL (433966)

Item no.	Article no.	Description	Quantity	Unit
8	376813	display membrane keyboard Mekop. Secop NAM	1	ST
10	428073	display set NLV Montreal grey7045	1	ST
14	434158	IEC-connector set GP GR ZHZ Nam RCCB 1xAN	1	ST
41	413175	heat plate HP13 3/22 A-P-100-240V SKII	2	ST
59	<a href="#">309594</a>	LED driver 100-240V/80W/50-60 HZ	1	ST
61	433121	LED-set front strips CW LP Montreal210	1	ST
61	433119	LED-set back strips CW PBL LP Montreal 210	1	ST
68	434130	FI-switch ABB GFCI 110V	1	ST
80	406075	fan Delta 230/51	1	ST
80	440133	fan EBM QLZ06/1800-iQ3608 120/60 UL	1	ST
93	335196	connection cable IEC UL 5-15P device+barcode	1	ST
95	370116	display Secop/Nidec NLV CRA200 105N9593	1	ST
96	203705	bus board Secop GP	1	ST
165	335725	sensor floor T1 GP UL NAM red	1	ST
166	<a href="#">419637</a>	sensor air T2 GP blue 2times Roll+Verg	1	ST
167	<a href="#">419636</a>	sensor limit T4 GP yellow 2x Roll+Verg.	1	ST
222	370182	display cable Montreal NLV	1	ST
400	380318	LED-cable set Montreal210/250	1	ST
405	424032	controller NLV/GP 110-240V 50/60Hz 4668	1	ST