

432680

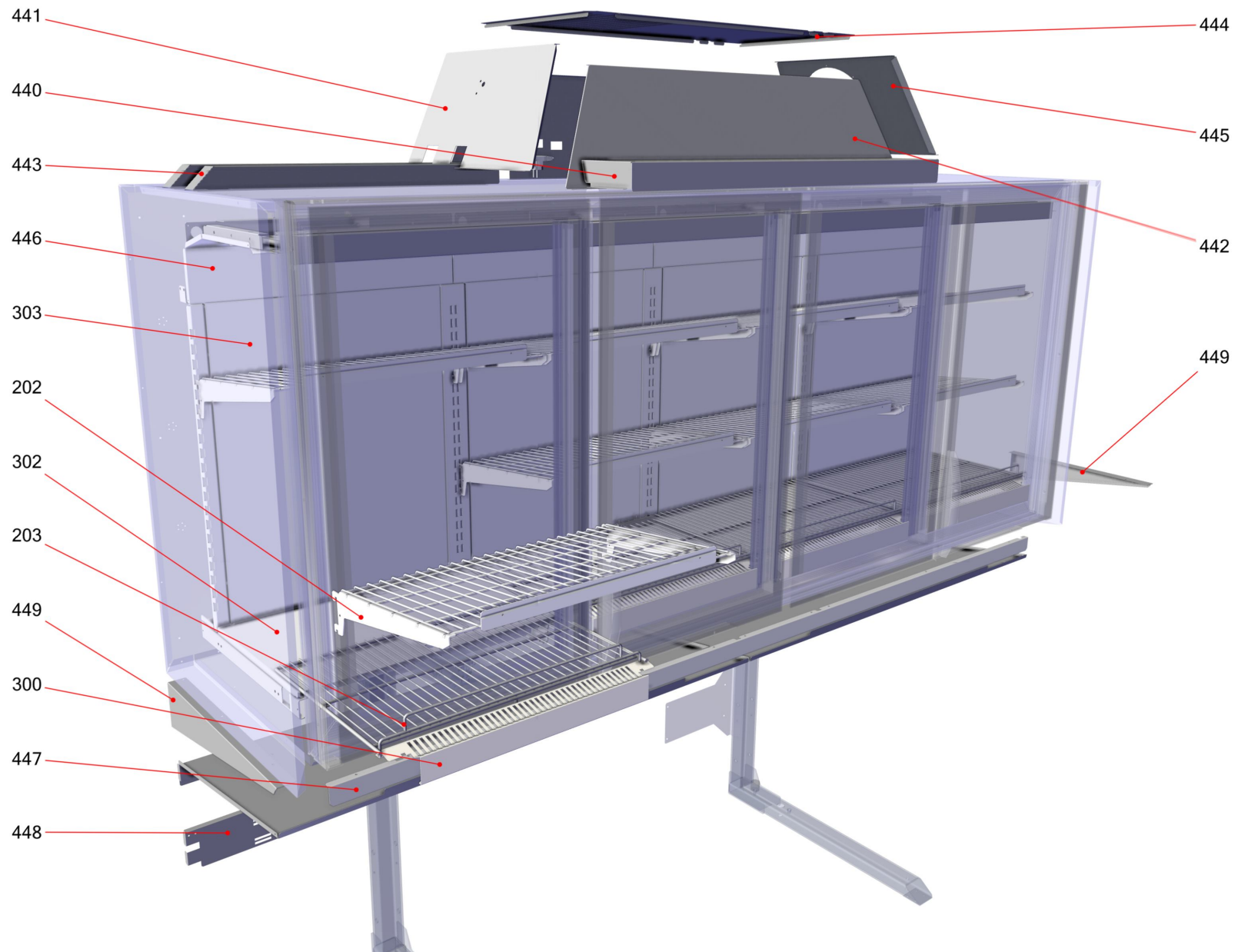
432680



Table of contents

Basic unit KINLEY (432824)	3
Refrigeration KINLEY (404162)	5
Module glass door system KINLEY (377445)	7
Electrics KINLEY (432825)	9
LED Strips+GP from 06.12.21 Kinley210 (446474)	12

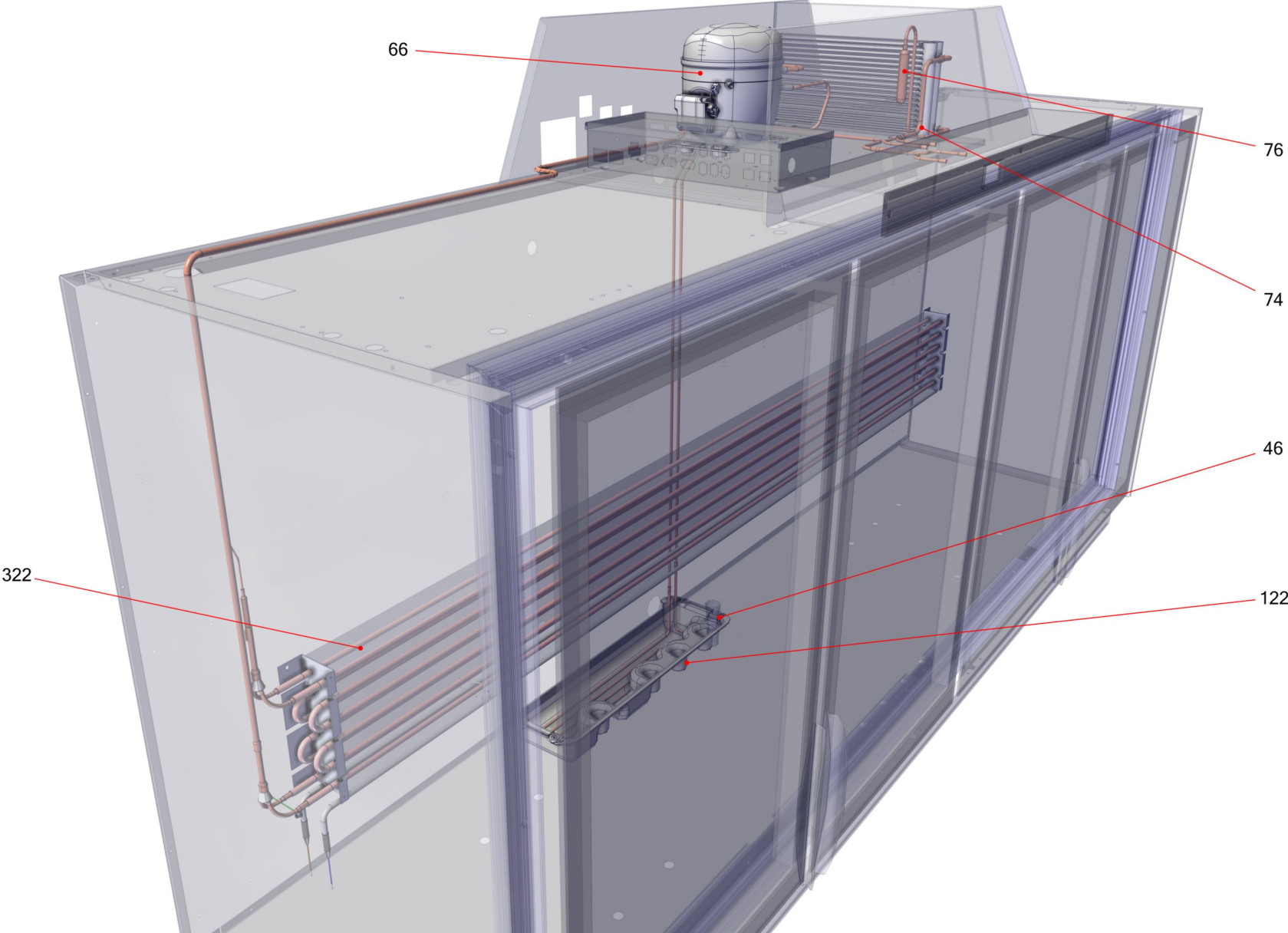
Basic unit KINLEY (432824)



Basic unit KINLEY (432824)

Item no.	Article no.	Description	Quantity	Unit
	418344	tubular cover Kinley 210XL Nam G5	1	ST
	381282	tubular cover Kinley RW US	1	ST
	426771	ROHRKANAL KINLEY XL G5 NAM1	1	ST
	441779	ROHRABD KURZ KIN.GEK.VLAC7045 LIDL G5 V2	1	ST
202	373070	hanging grid Kinley 210 1,5 white9003	6	ST
300	429781	air plate Kinley210XL grey7045	3	ST
302	462685	BODEN EINSATZ KINLEY210 LACK GR7045 G5	3	ST
303	377974	backwall brass cover Kinley 210XL grey7045	3	ST
441	441774	AGGREGATABD LI KIN XL VLACK7045 G5 V2	1	ST
442	402123	cover aggregate front Kinley250XL grey7045	1	ST
444	441811	cover aggregate cap Kinley XL G5	1	ST
445	462364	AGGREGATABD RE KINLEY XL VLACK 7045	1	ST
446	462749	DECKBLECH KIEMEN KIN210XL GEK. V2 VL7045	1	ST
447	354046	price marking Kinley210XL grey7045	1	ST
449	387542	sidewall wedge right Kinley XL grey7045 G4.1	1	ST
449	387540	sidewall wedge left Kinley XL grey7045 G4.1	1	ST

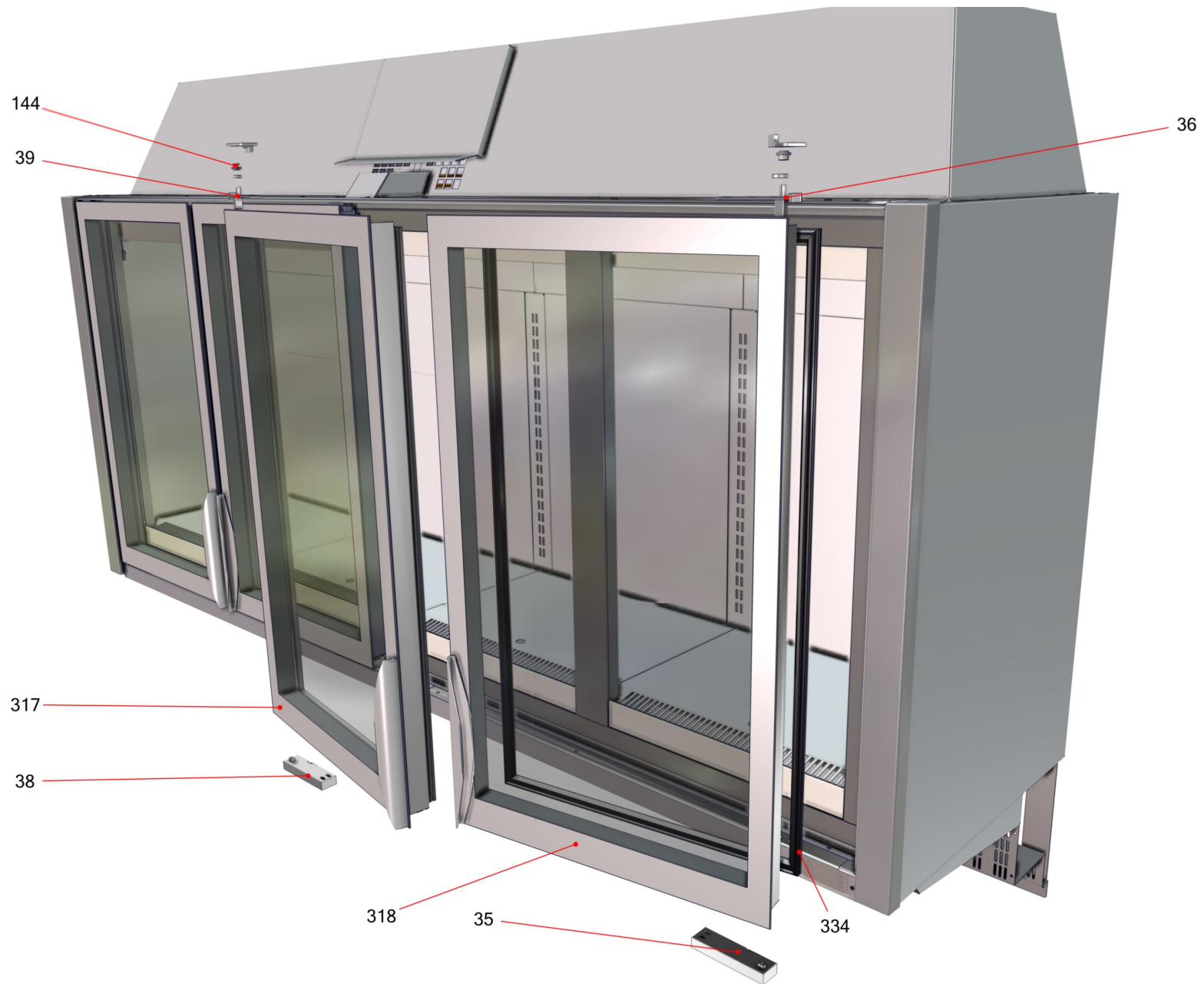
Refrigeration KINLEY (404162)



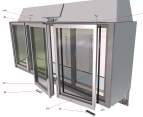
Refrigeration KINLEY (404162)

Item no.	Article no.	Description	Quantity	Unit
46	355843	interlocking TKL 175+pane white9003	2	ST
66	373529	compressor Secop NLV12.6CN 105H6355	1	ST
74	402250	condenser Kinley XL G5 X001-JD56-1	1	ST
76	441536	FILTERTROCKNER 6,1/2,7 12,5G	1	ST
122	377261	evaporator box Kinley XL	1	ST
332	446290	evaporator Kinley210 EU Refrion	1	ST

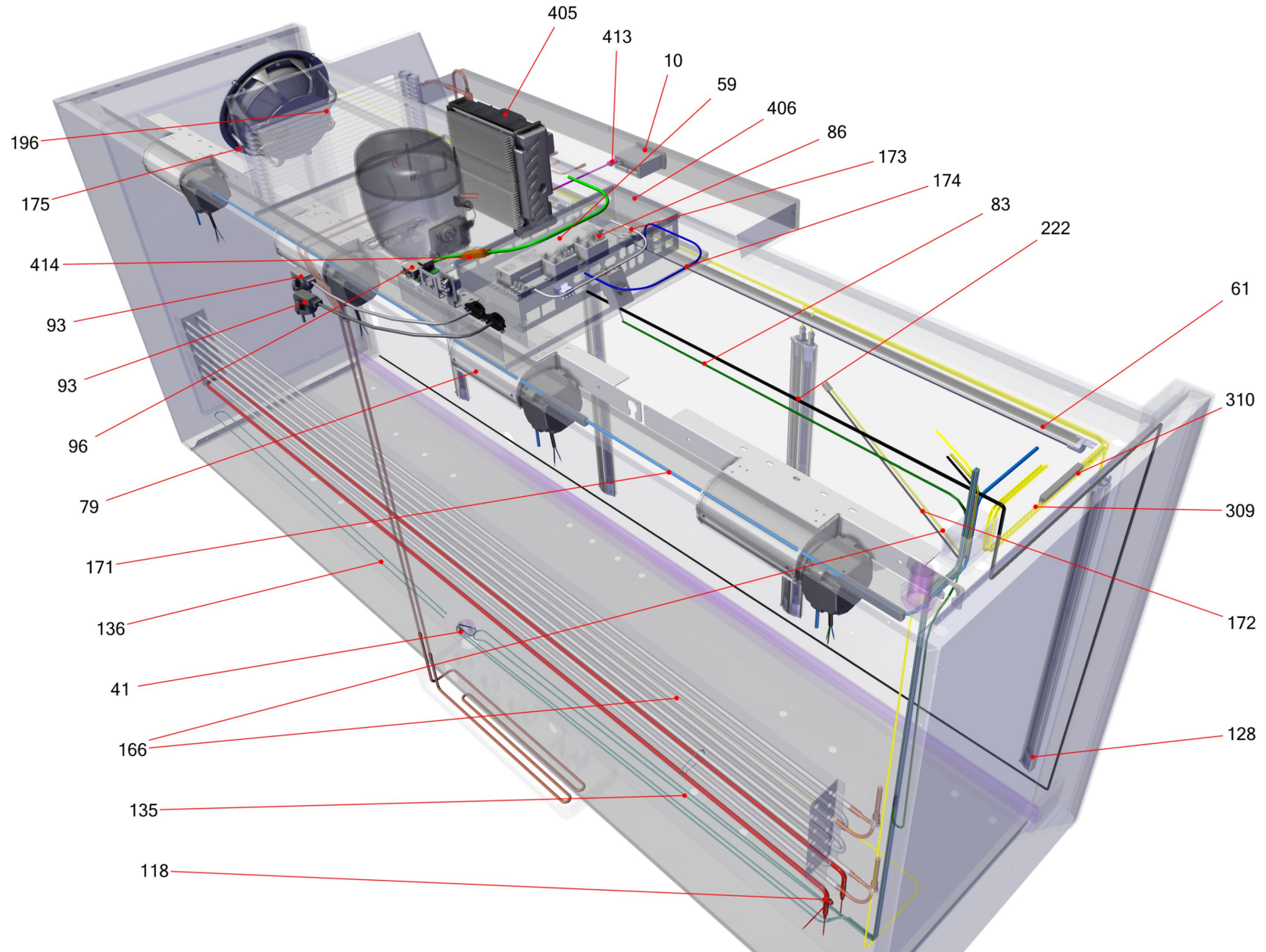
Module glass door system KINLEY (377445)



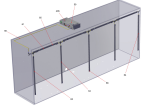
Module glass door system KINLEY (377445)

Item no.	Article no.	Description	Quantity	Unit	Picture
318	377447	glass door right Kinley210XL Valentini Edh	3	ST	
334	373982	door seal le/ri Kinley210 Valentini	1	ST	

Electrics KINLEY (432825)



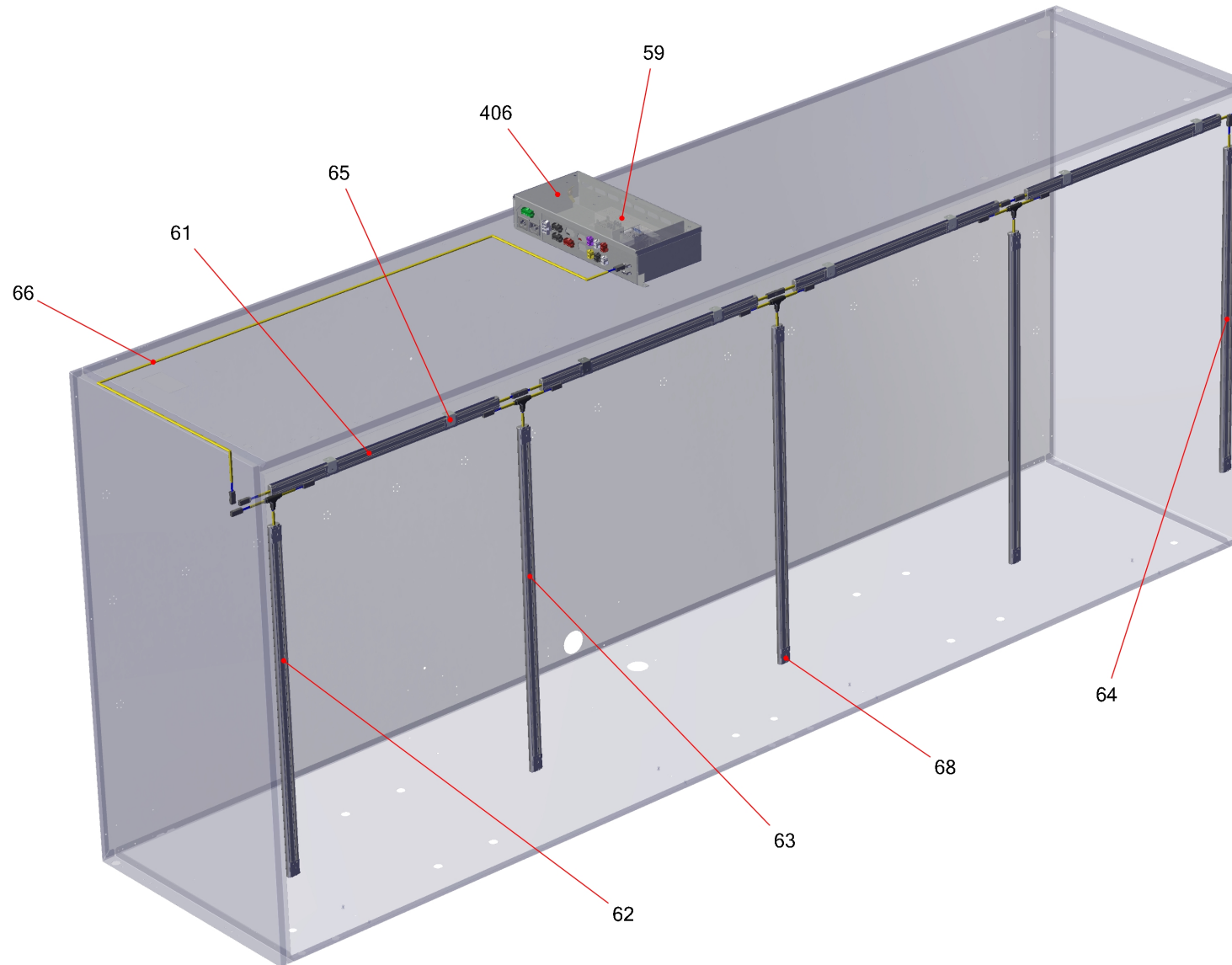
Electrics KINLEY (432825)

Item no.	Article no.	Description	Quantity	Unit	Picture
	446474	LED Strips+GP from 06.12.21 Kinley210	1	ST	
	425448	heathing water drain Kinley UL G5	1	ST	
10	424031	display Secop mekoprint Kinley grey7045 G5	1	ST	
79	355853	fan cross current QLZ06/1800iQ3608	3	ST	
80	442365	LÜFTER DIAG. EBM TYP.K1G200-AA84-24 SP	1	ST	
83	398241	temperature switch STB LS1 542097 2000mm	1	ST	
93	373377	connection cable IEC US C5 light+barcode	1	ST	
93	442641	ANSCHLUSSKABEL KINLEY 250 NAM	1	ST	
96	203705	bus board Secop GP	1	ST	
118	442305	ADAPTER FÜR HEIZSTAB KINLEY	1	ST	
118	462807	HEATER ROD DEF.HEAT.230V KINL.X5 210 PCB	1	ST	
135	432826	drain gutter Kinley210XL left G5	1	ST	
136	432827	drain gutter Kinley210XL right G5	1	ST	
166	408125	sensor temperature air out Kinley 210XL GP G5	1	ST	
166	408127	sensor limit Kinley 210XL GP G5	1	ST	
166	408126	sensor temperature air in Kinley 210XL GP G5	1	ST	
171	440514	cable evaporator fan GP Kinley210 G5 Tyco	1	ST	
172	402372	cable temperature switch Kinley G5	1	ST	
173	410619	cable harness controller box GP G5	1	ST	
174	407949	connection cable electronic box-GP Kinley250XL G5	1	ST	

Electrics KINLEY (432825)

Item no.	Article no.	Description	Quantity	Unit	Picture
175	407947	cable condenser fan Kinley UL GP G5	1	ST	
405	424032	controller NLV/GP 110-240V 50/60Hz 4668	1	ST	
414	381076	bus line Cat5 0,5m	1	ST	

LED Strips+GP from 06.12.21 Kinley210 (446474)



LED Strips+GP from 06.12.21 Kinley210 (446474)

Item no.	Article no.	Description	Quantity	Unit
59	398279	LED driver Philips 100-240V/100W/50-60Hz	1	ST
61	418827	LED tube strips Kinley 5000K	3	ST
62	418824	LED-tube left Kinley Strips 5000K	1	ST
63	418825	LED-tube middle Kinley strips 5000K	2	ST
64	418826	LED-tube right Kinley strips 5000K	1	ST
65	440191	fastening angle LED strips Kinley white9003	6	ST
66	440486	LED cable stips Kinley X5 250 vertic.	1	ST
68	418828	fastening clip strips Kinley	14	ST
406	462745	STEUERUNGSBOX KPL KINLEY PHIL IEC GP	1	ST