

432670

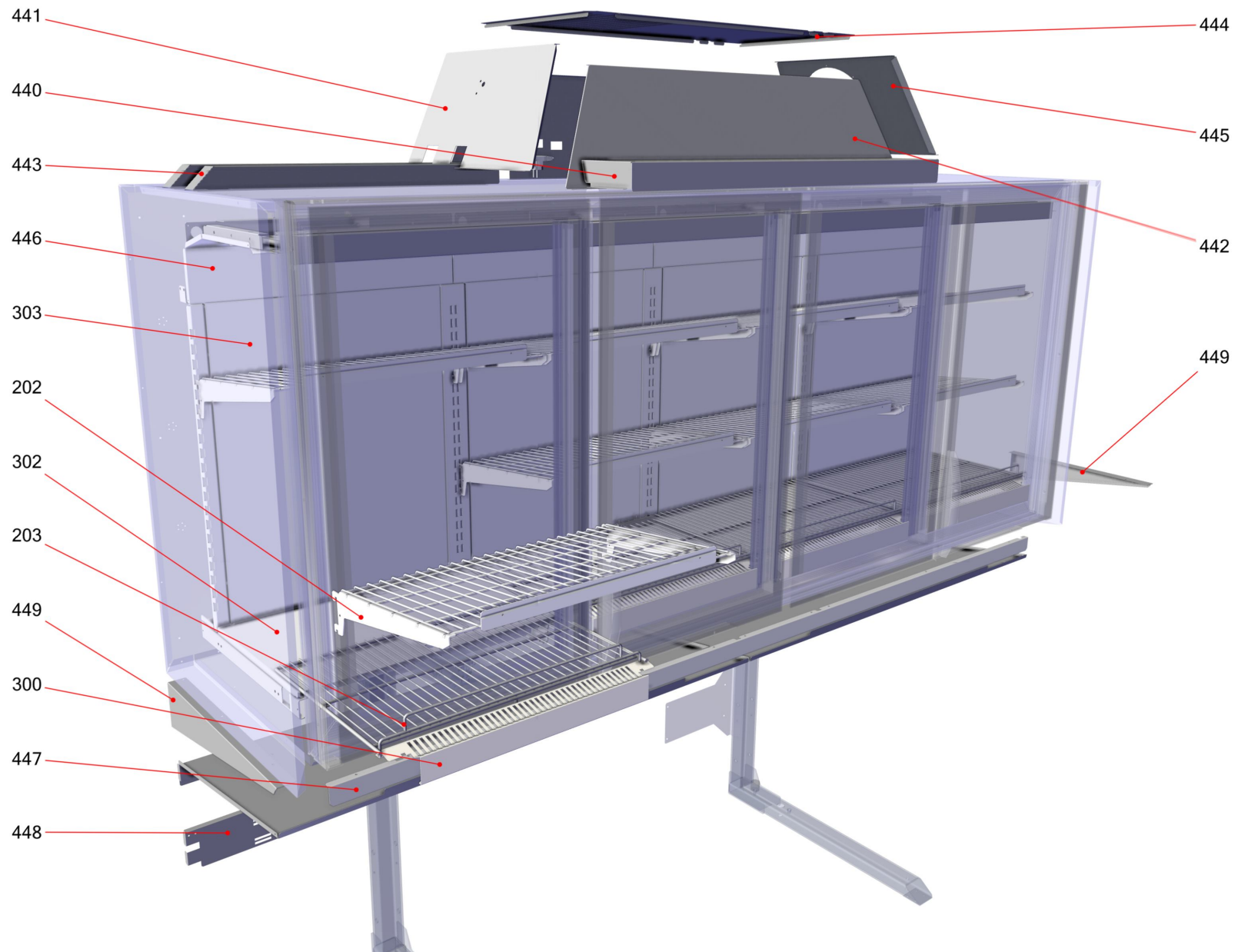
432670



Table of contents

Basic unit KINLEY (432986)	3
Refrigeration KINLEY (432990)	5
Module glass door system KINLEY (377445)	7
Electrics KINLEY (432987)	9

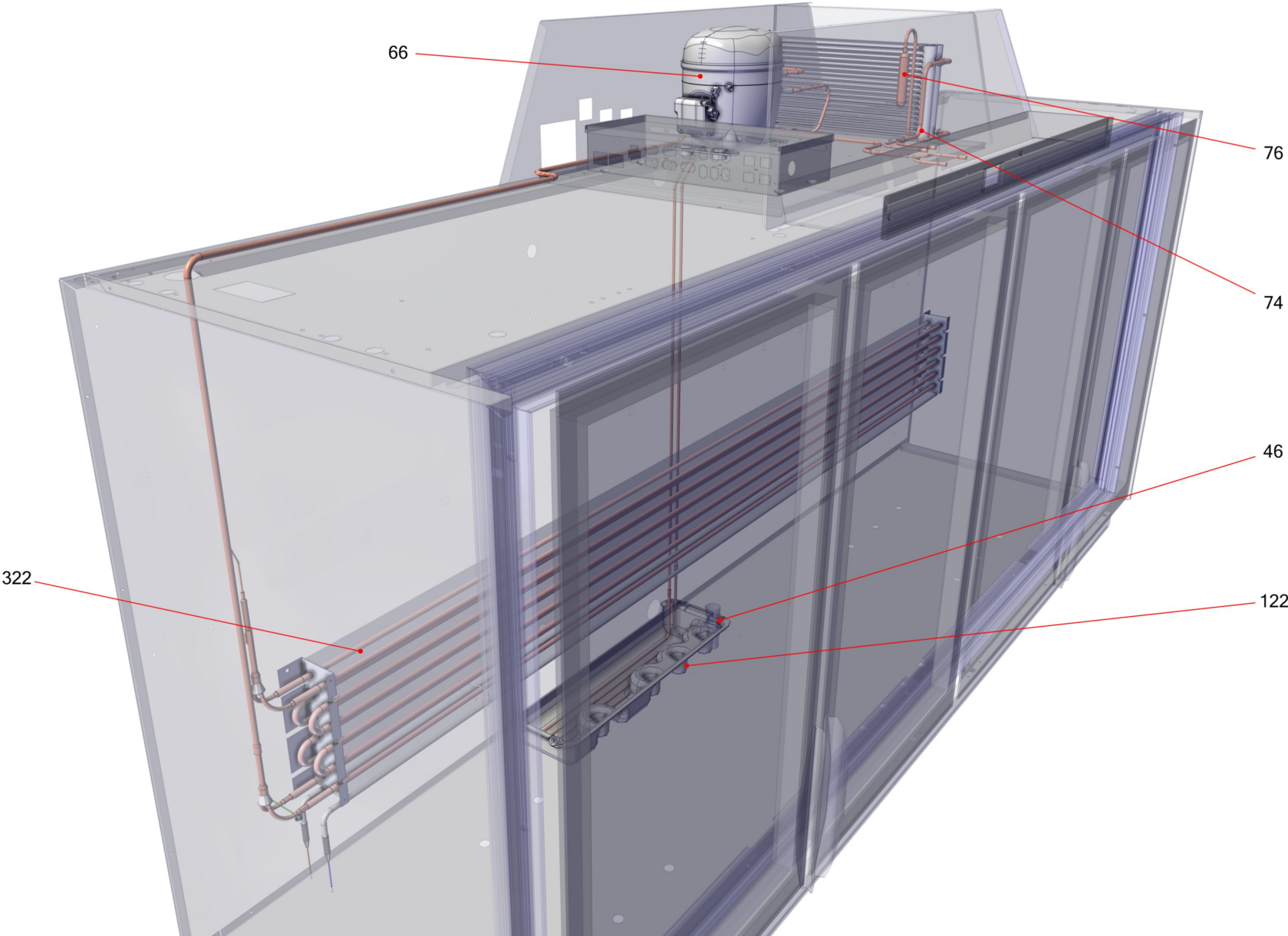
Basic unit KINLEY (432986)



Basic unit KINLEY (432986)

Item no.	Article no.	Description	Quantity	Unit
	418344	tubular cover Kinley 210XL Nam G5	1	ST
	381282	tubular cover Kinley RW US	1	ST
	426143	tubural channel Kinley XL G5 Nam	1	ST
202	381276	basket curved Kinley 210 white9003	6	ST
300	377037	air plate Kinley210XL silver9006	3	ST
302	462689	BODEN EINSATZ KINLEY210 LACK RAL9006 G5	3	ST
303	462707	RÜCKWANDBLECH KINLEY XL 210 GEK. VL9006	3	ST
441	407962	cover aggregate KinleyXL left black9005	1	ST
442	407959	cover aggregate Kinley XL front black9005	1	ST
444	441811	cover aggregate cap Kinley XL G5	1	ST
445	407963	cover aggregate KinleyXL right black9005	1	ST
446	462751	DECKBLECH KIEMEN KIN210XL GEK. V2 VL9006	1	ST
447	455628	price labeling Kinley 210 XL black9005	1	ST
449	377923	sidewall wedge right KinleyXL black9005 G4.1	1	ST
449	377924	sidewall wedge left KinleyXL black9005 G4.1	1	ST

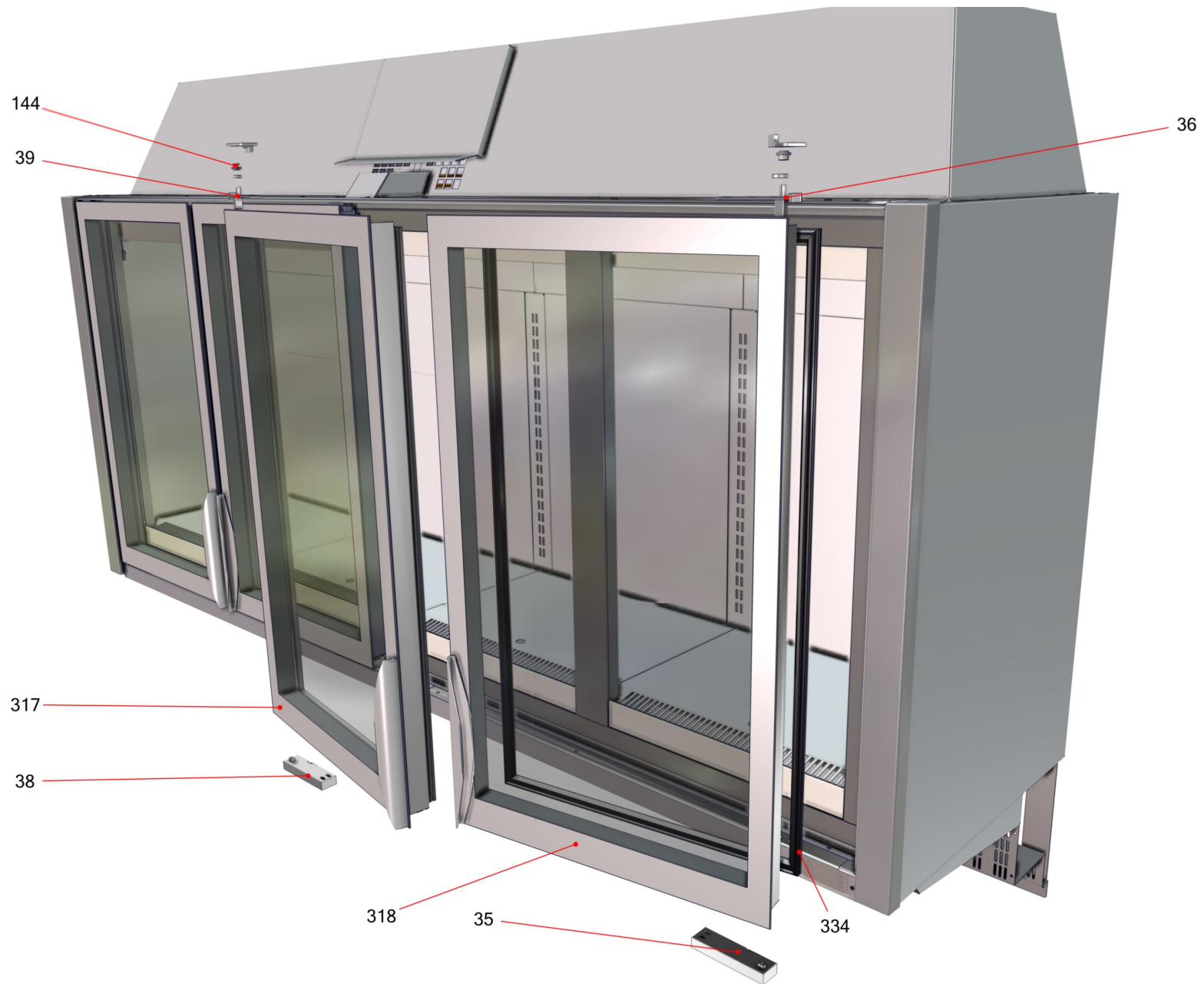
Refrigeration KINLEY (432990)



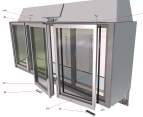
Refrigeration KINLEY (432990)

Item no.	Article no.	Description	Quantity	Unit
46	355843	interlocking TKL 175+pane white9003	2	ST
66	373529	compressor Secop NLV12.6CN 105H6355	1	ST
74	402250	condenser Kinley XL G5 X001-JD56-1	1	ST
76	441536	FILTERTROCKNER 6,1/2,7 12,5G	1	ST
122	377261	evaporator box Kinley XL	1	ST
332	353729	evaporator Sest Kinley210	1	ST

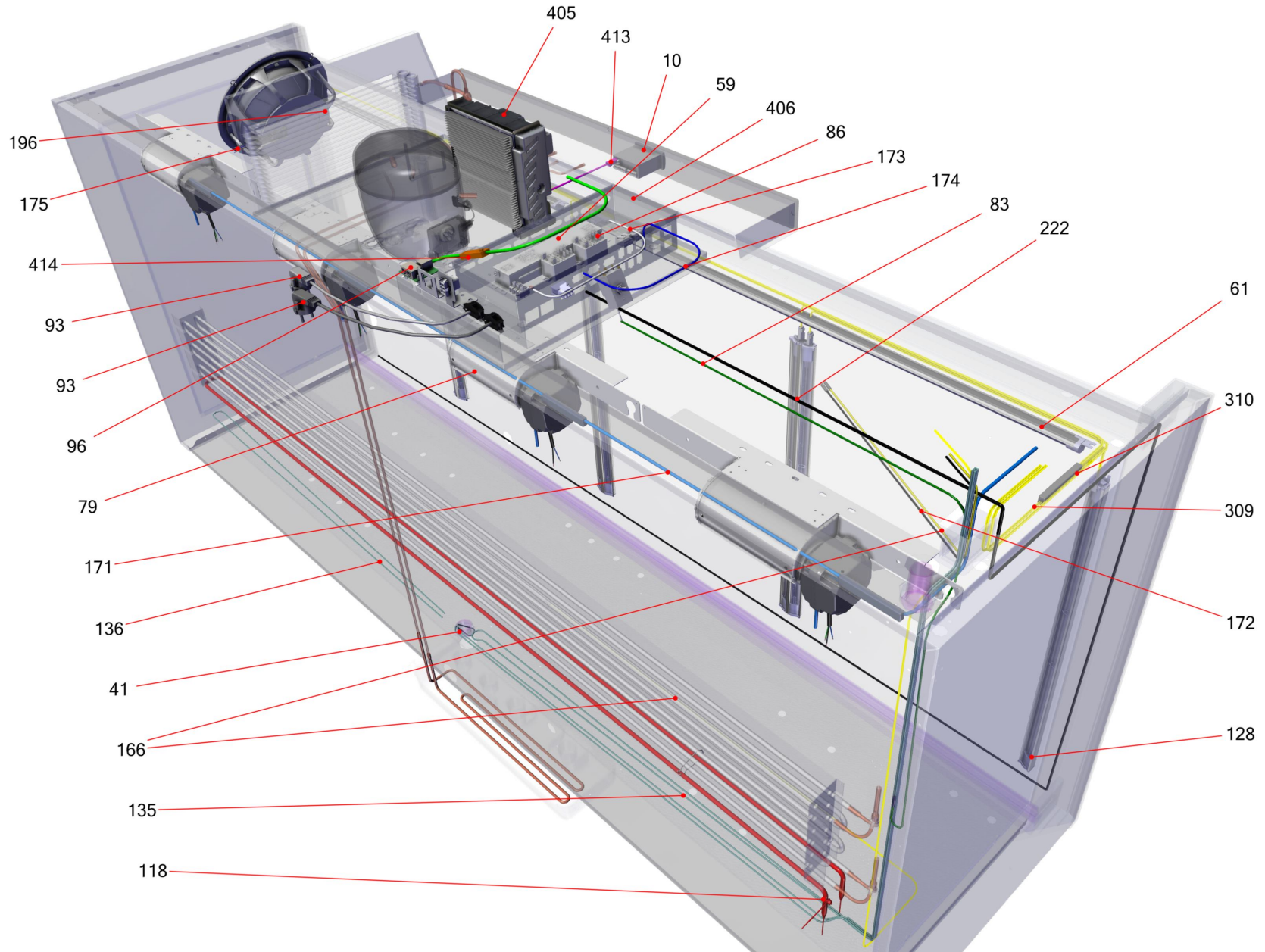
Module glass door system KINLEY (377445)



Module glass door system KINLEY (377445)

Item no.	Article no.	Description	Quantity	Unit	Picture
318	377447	glass door right Kinley210XL Valentini Edh	3	ST	
334	373982	door seal le/ri Kinley210 Valentini	1	ST	

Electrics KINLEY (432987)



Electrics KINLEY (432987)

Item no.	Article no.	Description	Quantity	Unit
	425448	heathing water drain Kinley UL G5	1	ST
	441489	cable wire harness controller box GP G5 NAM	1	ST
	446285	LED KABEL KPL. SAPS KINLEY XL 210 G5	1	ST
10	432988	display Secop Mekop Kinley G5 black9005	1	ST
61	354000	LED tube SAPS Kinley 900mm 24V 14W 6500K	2	ST
79	432989	fan cross current L ECM7108AAA2FF031 60.183	3	ST
80	442365	LÜFTER DIAG. EBM TYP.K1G200-AA84-24 SP	1	ST
83	398241	temperature switch STB LS1 542097 2000mm	1	ST
93	373377	connection cable IEC US C5 light+barcode	1	ST
93	442641	ANSCHLUSSKABEL KINLEY 250 NAM	1	ST
96	203705	bus board Secop GP	1	ST
118	462807	HEATER ROD DEF.HEAT.230V KINL.X5 210 PCB	1	ST
118	442305	ADAPTER FÜR HEIZSTAB KINLEY	1	ST
128	343544	LED tube SAPS Kinley 720mm 24V5,5W 6500K	6	ST
135	432826	drain gutter Kinley210XL left G5	1	ST
136	432827	drain gutter Kinley210XL right G5	1	ST
166	408127	sensor limit Kinley 210XL GP G5	1	ST
166	408125	sensor temperature air out Kinley 210XL GP G5	1	ST
166	408126	sensor temperature air in Kinley 210XL GP G5	1	ST
171	455646	cable evaporator fan Kinley210 UL GP NAM	1	ST
172	402372	cable temperature switch Kinley G5	1	ST
174	376828	connection cable electronic box-GP Kinley XL Nam	1	ST

Electrics KINLEY (432987)

Item no.	Article no.	Description	Quantity	Unit
175	407947	cable condenser fan Kinley UL GP G5	1	ST
405	424032	controller NLV/GP 110-240V 50/60Hz 4668	1	ST
414	381076	bus line Cat5 0,5m	1	ST