

405382

405382

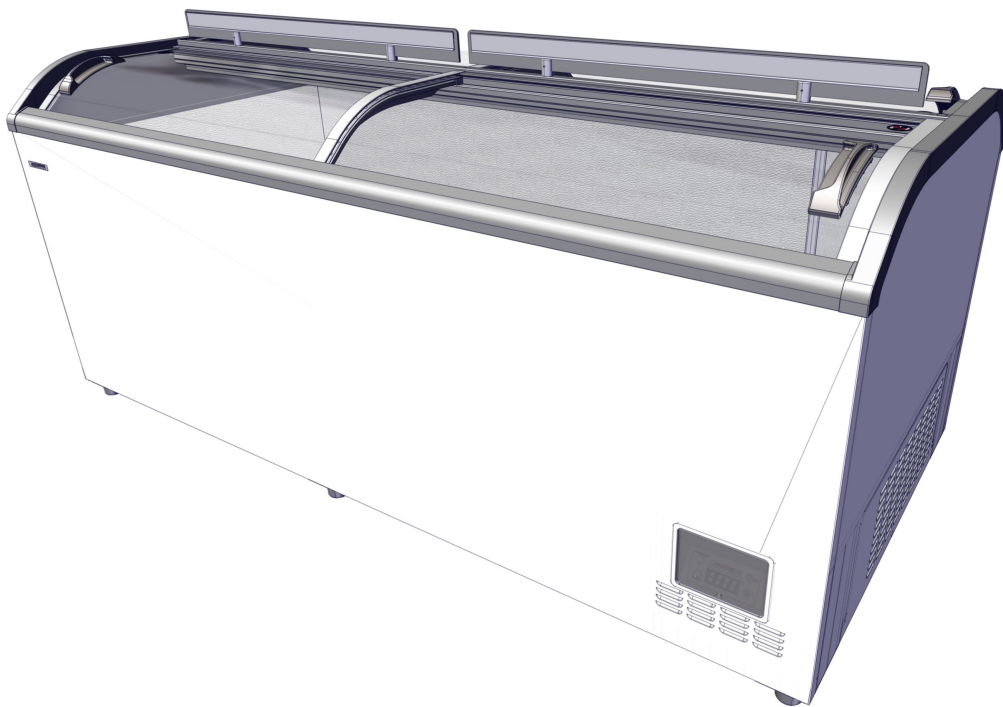
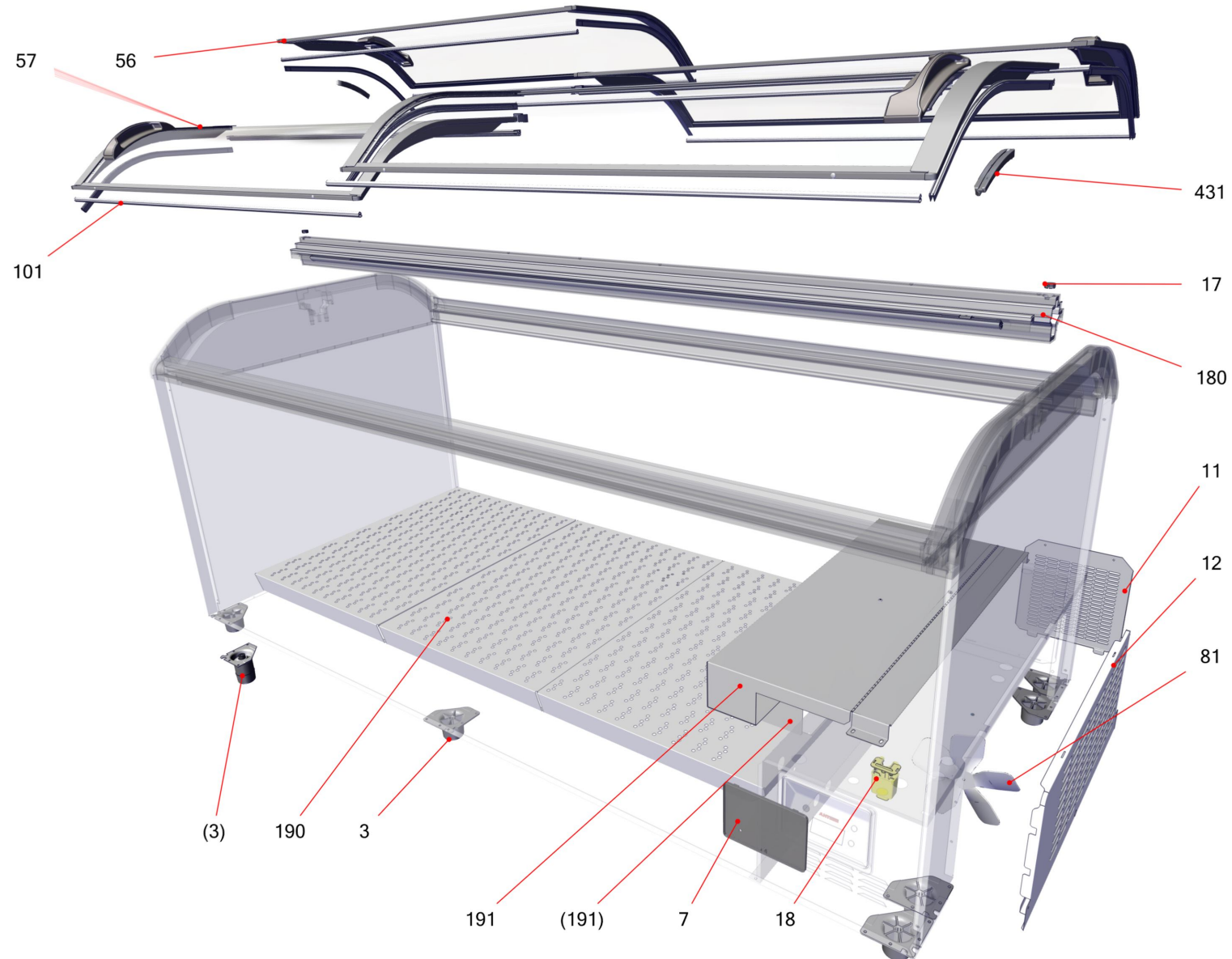


Table of contents

| | |
|-------------------------------------|---|
| Basic unit MANHATTAN (405273) | 3 |
| Refrigeration chest cooler (356077) | 5 |
| Electrics MANHATTAN (405274) | 7 |

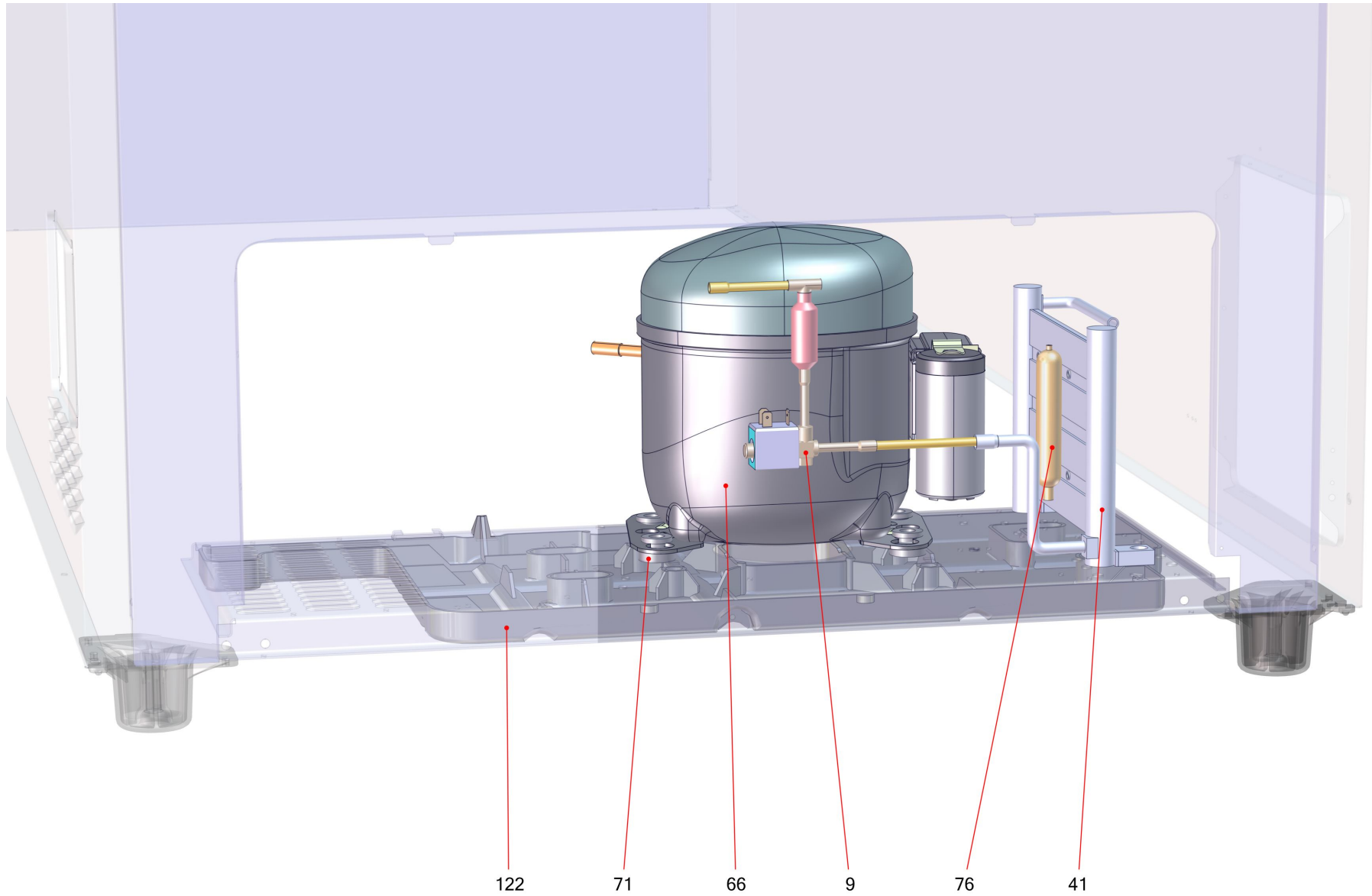
Basic unit MANHATTAN (405273)



Basic unit MANHATTAN (405273)

| Item no. | Article no. | Description | Quantity | Unit |
|----------|------------------------|--|----------|------|
| 3 | 373228 | extension feet VFU 35+gliding piece 36,5mm | 8 | ST |
| 7 | 229877 | cover controll unit front | 1 | ST |
| 11 | 287200 | air grill Jumbo black9005 | 1 | ST |
| 12 | 301424 | air grill back Manhattan black9005 | 1 | ST |
| 17 | 235911 | plug Paris185 ABS grey7045 | 2 | ST |
| 56 | 211595 | lid upper Manhattan210XL grey | 1 | ST |
| 57 | 211596 | lid lower Manhattan210XL grey | 1 | ST |
| 81 | 442362 | VENTILATORFL. DM200,CCW,A KUSTO TRAN SP | 1 | ST |
| 101 | 361773 | seal set supermarket | 1 | ST |
| 180 | 405271 | tie bar Manhattan 210 Nam | 1 | ST |
| 190 | 427287 | air outlet canal set row Montreal | 1 | ST |
| 191 | 370913 | blower carrier Jumbo VS 115/60 UL NAM | 1 | ST |
| 431 | 467244 | buffer upper lid Athen Eco EF | 1 | ST |

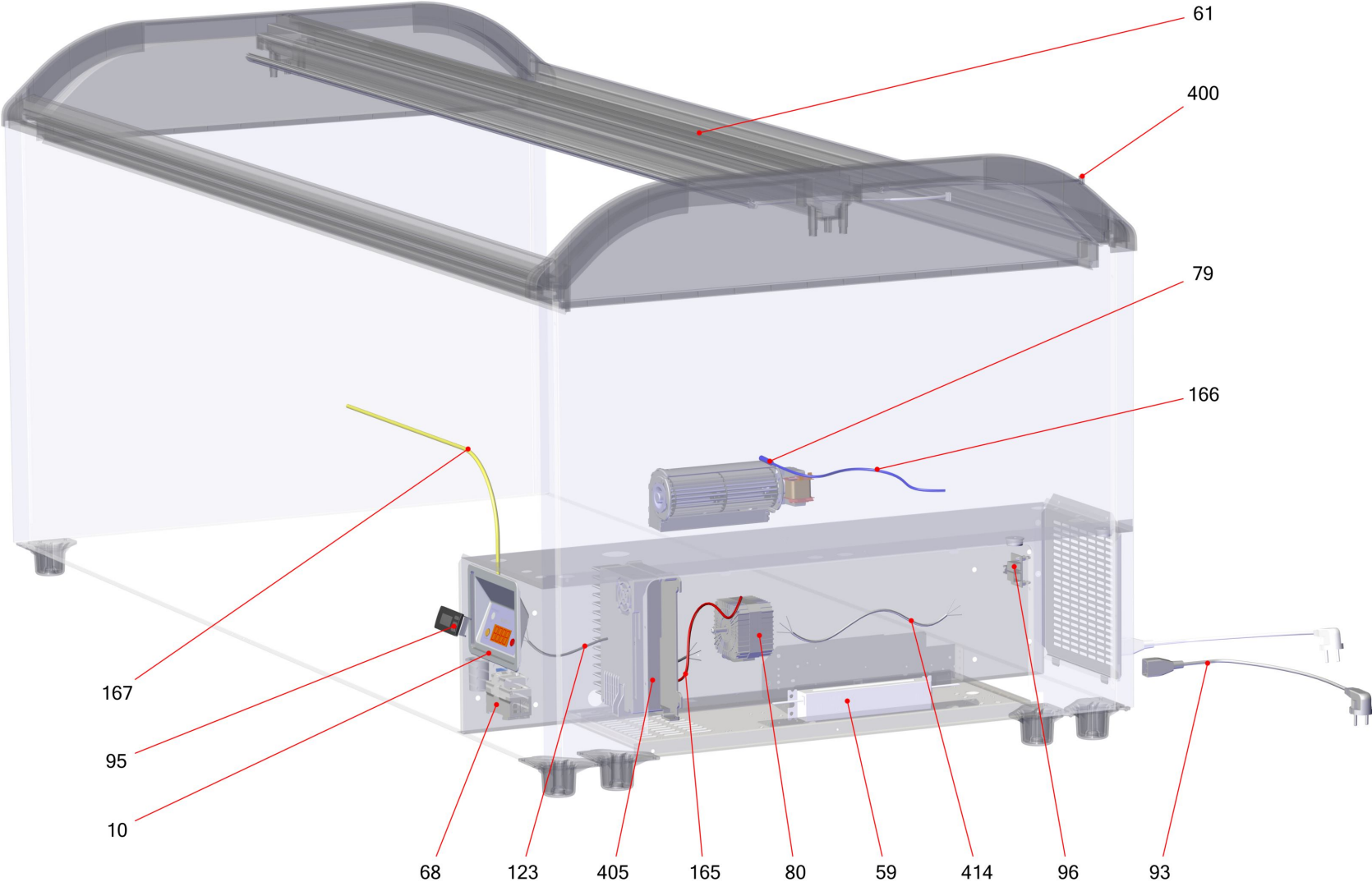
Refrigeration chest cooler (356077)



Refrigeration chest cooler (356077)

| Item no. | Article no. | Description | Quantity | Unit |
|----------|------------------------|---|----------|------|
| 9 | 282686 | magnet valve 14VA R04 5C-E21 120V60Hz | 1 | ST |
| 66 | 359065 | compressor Secop SLV15CNK 104H8578 115V | 1 | ST |
| 66 | 114798 | lid with mounting bracked 103N2009 | 1 | ST |
| 71 | 5039 | rubber pad compressor black | 1 | ST |
| 76 | 342854 | filter dreyer XH9 12,5G Lokring | 1 | ST |
| 122 | 276714 | evaporator box Jumbo AD | 1 | ST |

Electrics MANHATTAN (405274)



Electrics MANHATTAN (405274)

| Item no. | Article no. | Description | Quantity | Unit |
|----------|------------------------|--|----------|------|
| 10 | 365520 | control unit Secop GP grey7045 | 1 | ST |
| 59 | 440312 | LED driver Delta 60W 24V 50-60HZ | 1 | ST |
| 61 | 405272 | LED-set CW Manhattan 210 satined grey7045 | 1 | ST |
| 68 | 434130 | FI-switch ABB GFCI 110V | 1 | ST |
| 79 | 228908 | fan cross current QLZ06/1800 120V/60HZ 12W | 1 | ST |
| 80 | 442390 | LÜFTER WEL. ECR2-0371 100-240V 50-60H SP | 1 | ST |
| 93 | 337151 | connection cable USA SJT3x14AWG UL | 1 | ST |
| 95 | 266479 | control panel Secop SLV105N9510 TYP CRA162 | 1 | ST |
| 96 | 203705 | bus board Secop GP | 1 | ST |
| 123 | 267095 | cable connector control panel SLV 105N9509 | 1 | ST |
| 165 | 335725 | sensor floor T1 GP UL NAM red | 1 | ST |
| 166 | 419637 | sensor air T2 GP blue 2times Roll+Verg | 1 | ST |
| 167 | 419636 | sensor limit T4 GP yellow 2x Roll+Verg. | 1 | ST |
| 400 | 380318 | LED-cable set Montreal210/250 | 1 | ST |
| 405 | 424048 | controller GP 240V 50/60 4627 V1.14 V2 | 1 | ST |
| 414 | 400729 | bus line intern Cat5 1,2m | 1 | ST |