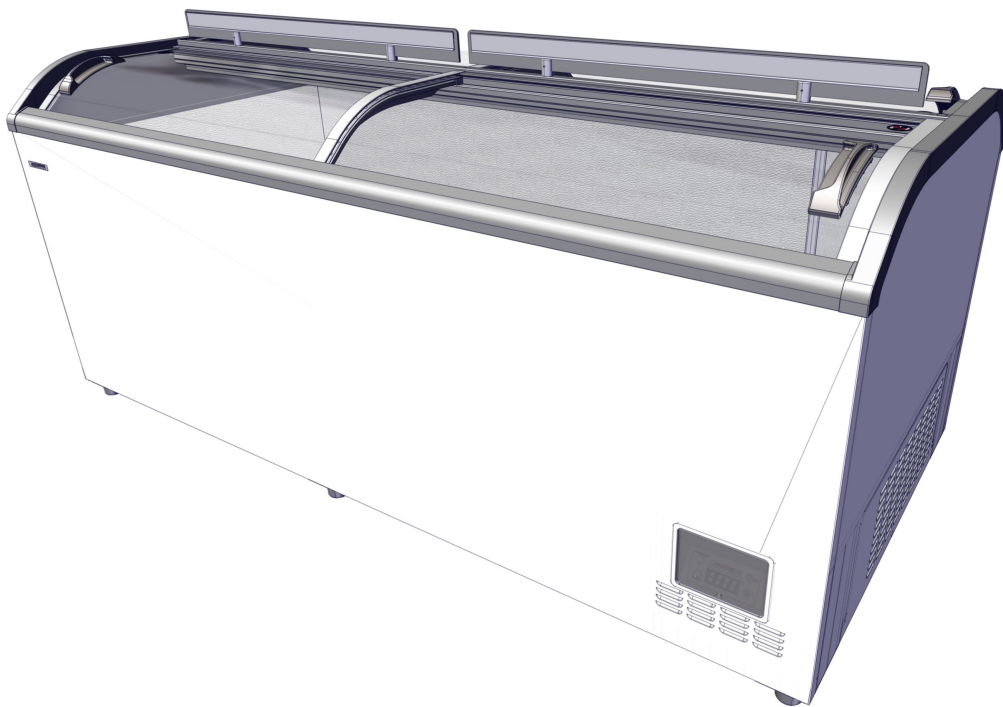


**405276**

405276

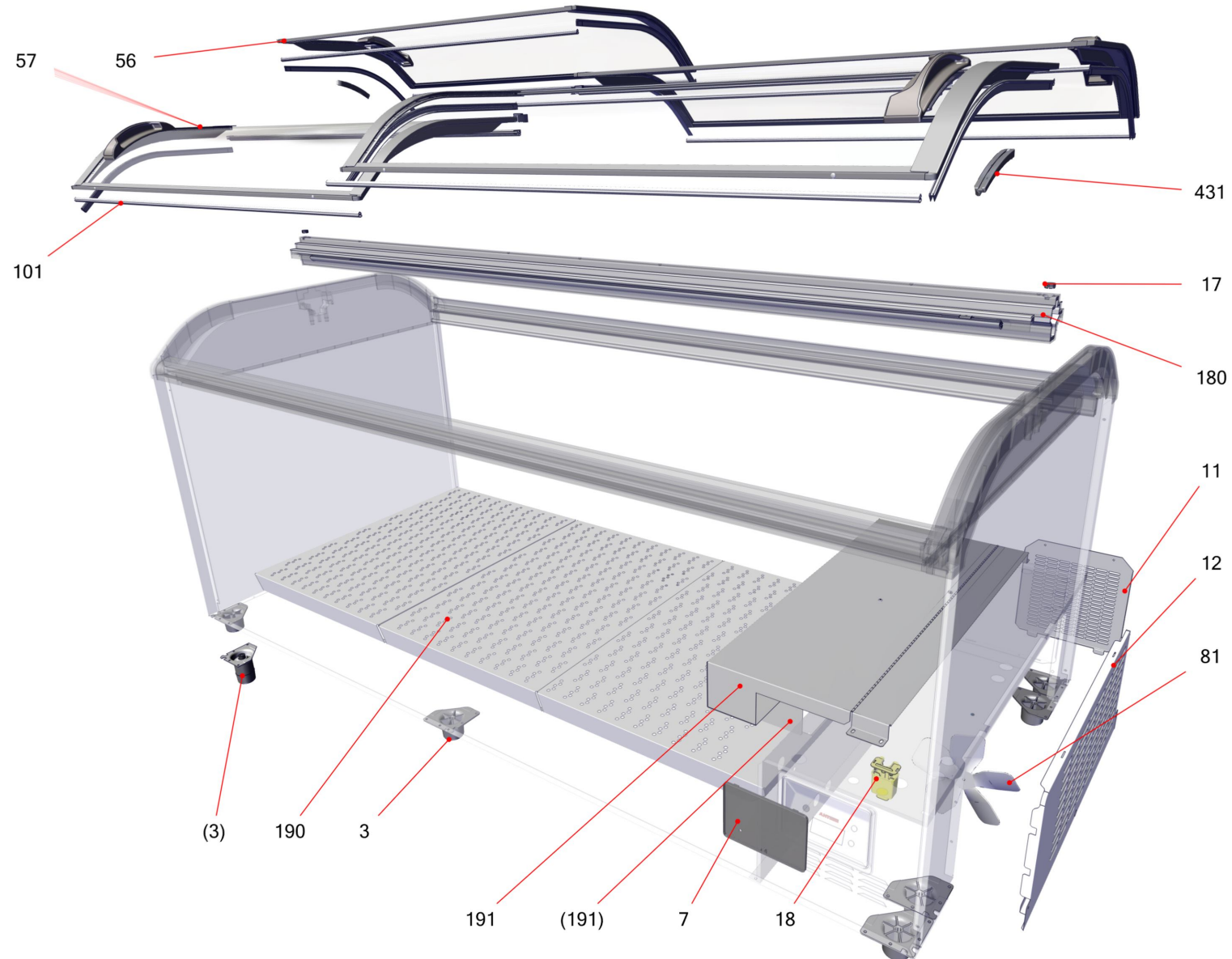


## Table of contents

---

Basic unit MANHATTAN (405282)	3
Refrigeration chest cooler (356077)	5
Electrics MANHATTAN (405283)	7

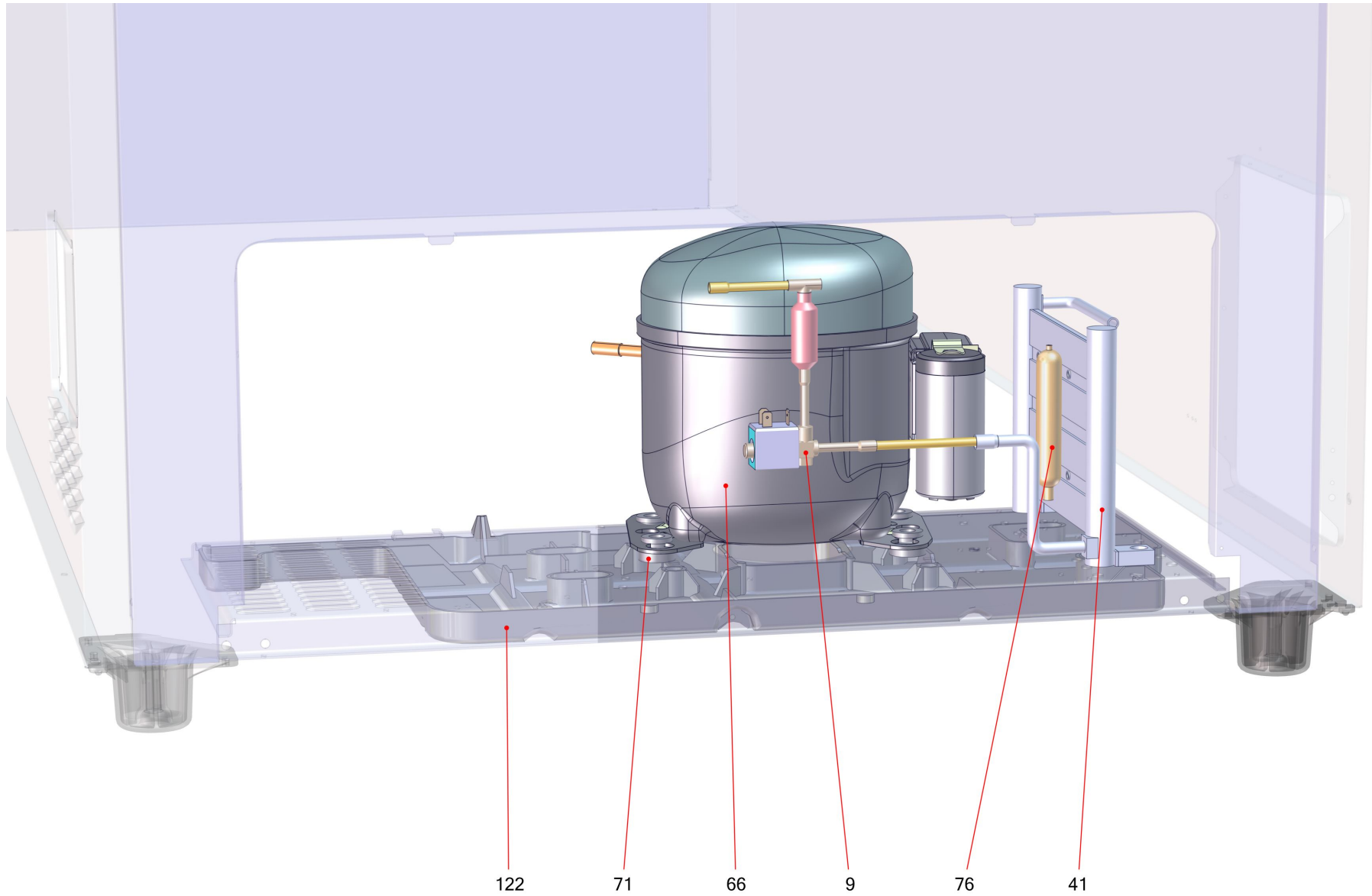
## Basic unit MANHATTAN (405282)



## Basic unit MANHATTAN (405282)

Item no.	Article no.	Description	Quantity	Unit
3	373228	extension feet VFU 35+gliding piece 36,5mm	8	ST
7	<a href="#">229877</a>	cover controll unit front	1	ST
11	<a href="#">286714</a>	air grill air flap white9003	1	ST
11	203669	air grill back Manhattan coated white9003	1	ST
17	235911	plug Paris185 ABS grey7045	2	ST
56	<a href="#">211595</a>	lid upper Manhattan210XL grey	1	ST
57	<a href="#">211596</a>	lid lower Manhattan210XL grey	1	ST
81	442362	VENTILATORFL. DM200,CCW,A KUSTO TRAN SP	1	ST
101	<a href="#">361773</a>	seal set supermarket	1	ST
180	405271	tie bar Manhattan 210 Nam	1	ST
190	427287	air outlet canal set row Montreal	1	ST
191	370913	blower carrier Jumbo VS 115/60 UL NAM	1	ST
431	467244	buffer upper lid Athen Eco EF	1	ST

## Refrigeration chest cooler (356077)



## Refrigeration chest cooler (356077)

Item no.	Article no.	Description	Quantity	Unit
9	<a href="#">282686</a>	magnet valve 14VA R04 5C-E21 120V60Hz	1	ST
66	359065	compressor Secop SLV15CNK 104H8578 115V	1	ST
66	114798	lid with mounting bracked 103N2009	1	ST
71	5039	rubber pad compressor black	1	ST
76	<a href="#">342854</a>	filter dreyer XH9 12,5G Lokring	1	ST
122	276714	evaporator box Jumbo AD	1	ST



## Electrics MANHATTAN (405283)

Item no.	Article no.	Description	Quantity	Unit
10	356222	control unit Secop gp white 9003	1	ST
59	<a href="#">440312</a>	LED driver Delta 60W 24V 50-60HZ	1	ST
61	405272	LED-set CW Manhattan 210 satined grey7045	1	ST
68	434130	FI-switch ABB GFCI 110V	1	ST
79	<a href="#">228908</a>	fan cross current QLZ06/1800 120V/60HZ 12W	1	ST
80	442390	LÜFTER WEL. ECR2-0371 100-240V 50-60H SP	1	ST
93	337151	connection cable USA SJT3x14AWG UL	1	ST
95	<a href="#">266479</a>	control panel Secop SLV105N9510 TYP CRA162	1	ST
96	203705	bus board Secop GP	1	ST
123	267095	cable connector control panel SLV 105N9509	1	ST
165	335725	sensor floor T1 GP UL NAM red	1	ST
166	<a href="#">419637</a>	sensor air T2 GP blue 2times Roll+Verg	1	ST
167	<a href="#">419636</a>	sensor limit T4 GP yellow 2x Roll+Verg.	1	ST
400	380318	LED-cable set Montreal210/250	1	ST
405	<a href="#">424048</a>	controller GP 240V 50/60 4627 V1.14 V2	1	ST
414	400729	bus line intern Cat5 1,2m	1	ST