

390019

390019

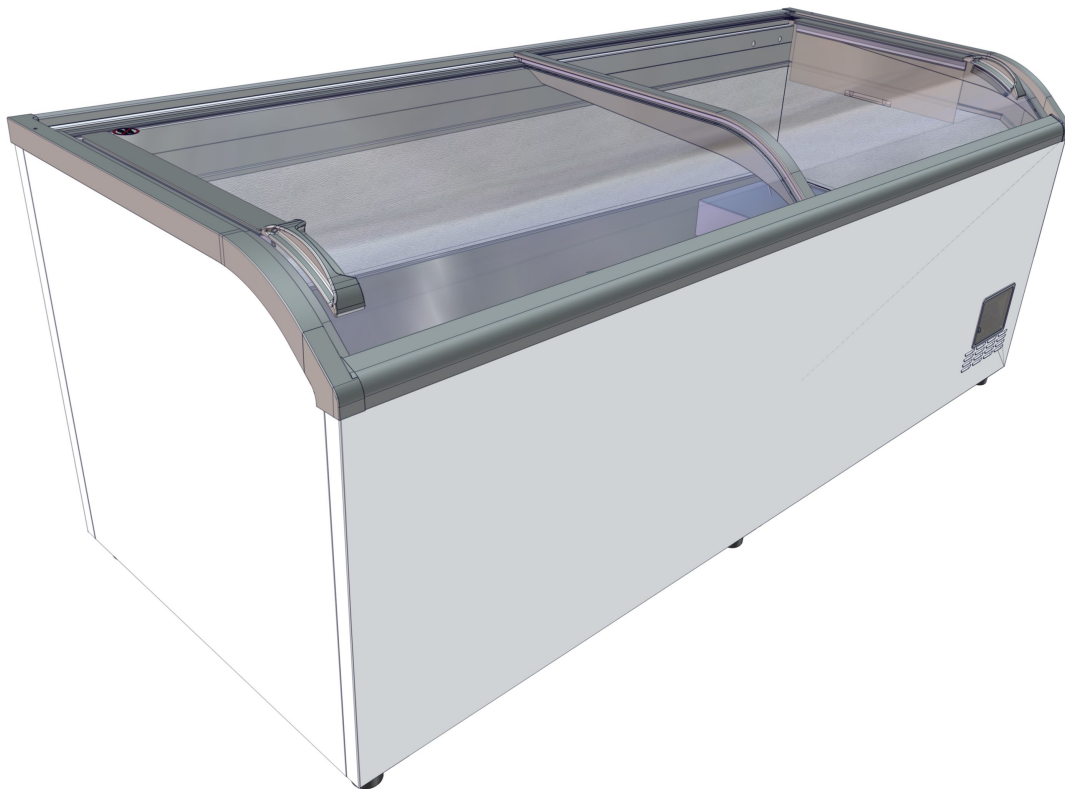
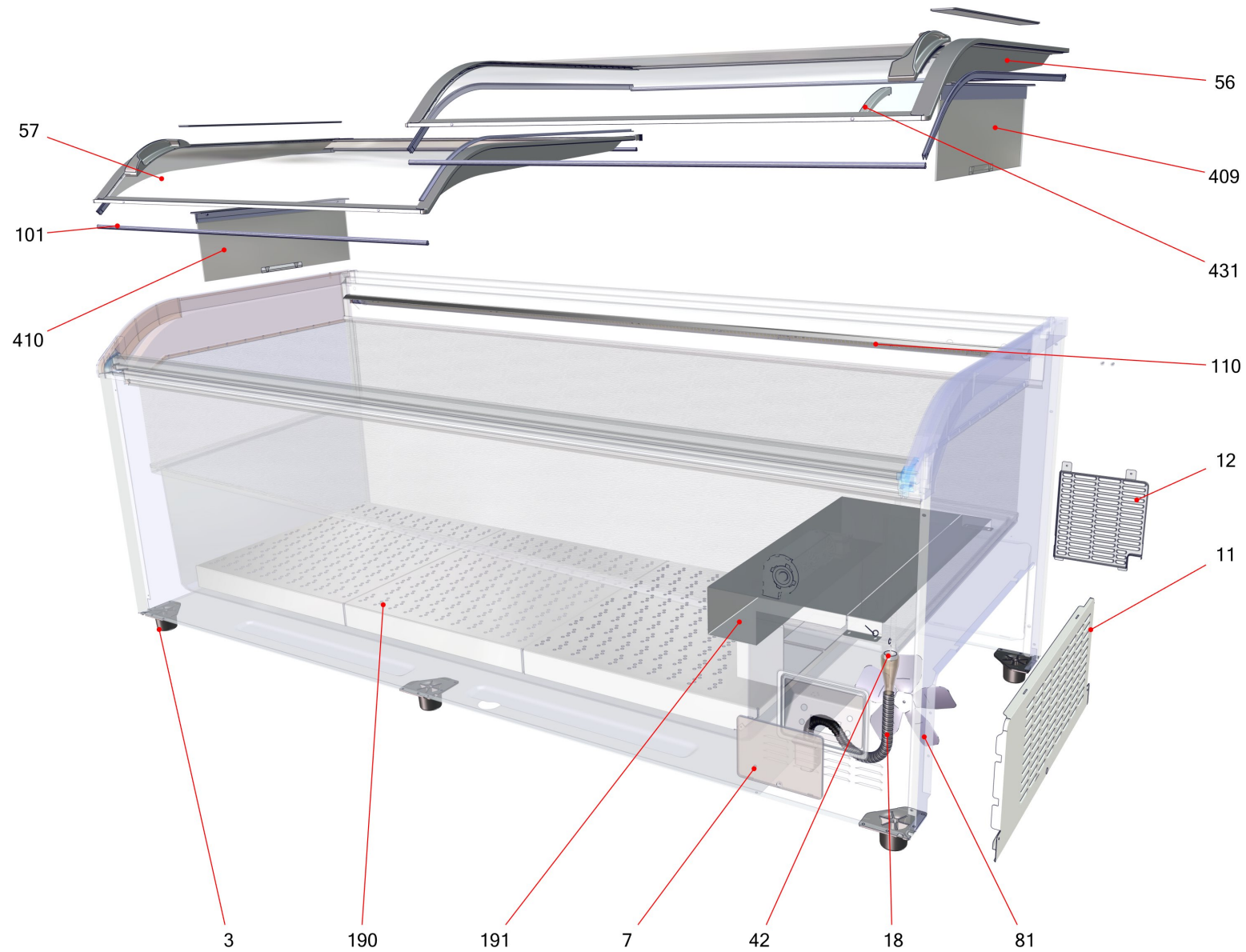


Table of contents

| | |
|-------------------------------------|---|
| Basic unit PARIS (366452) | 3 |
| Refrigeration chest cooler (373531) | 5 |
| Electrics PARIS (373532) | 7 |

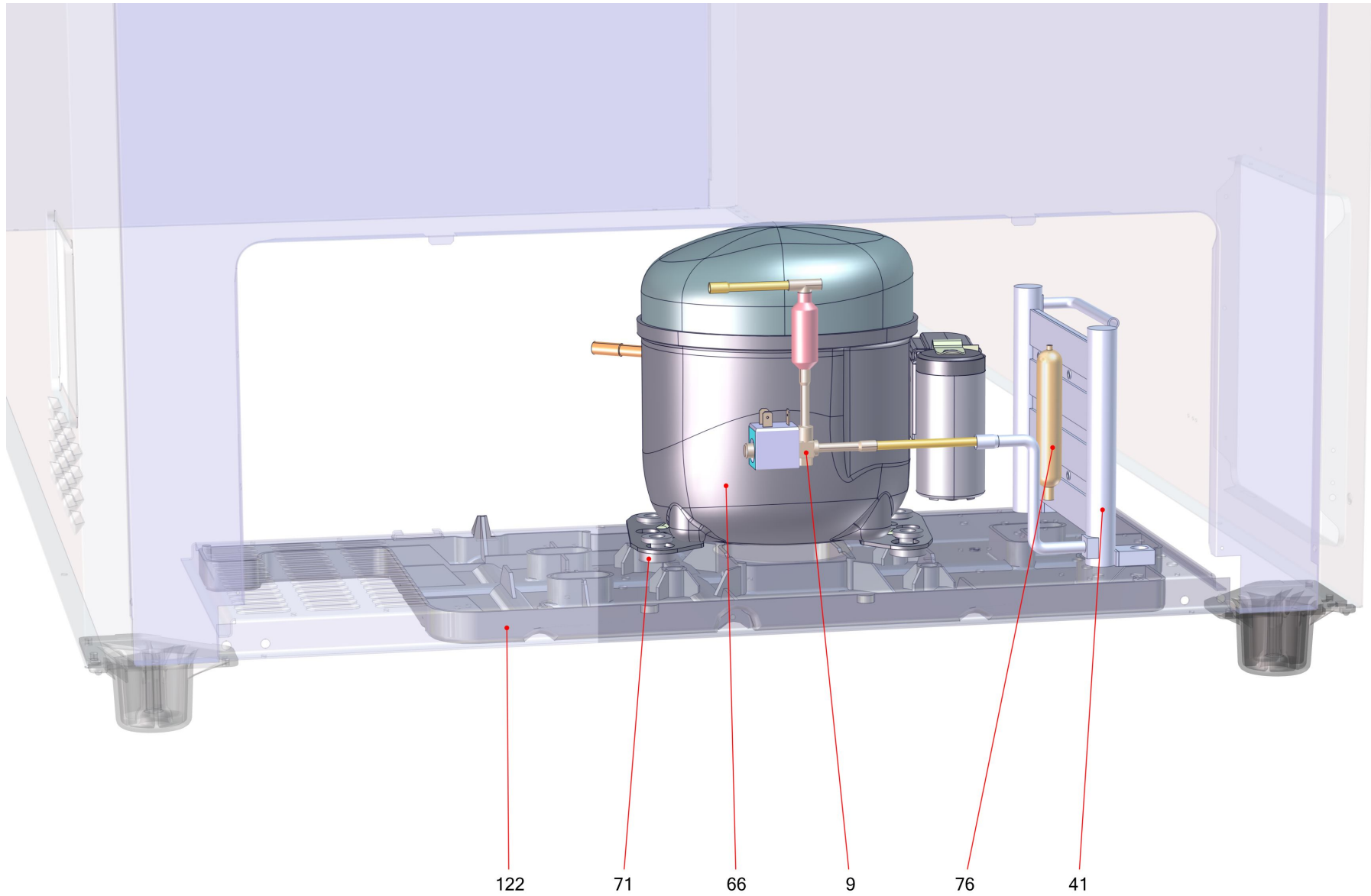
Basic unit PARIS (366452)



Basic unit PARIS (366452)

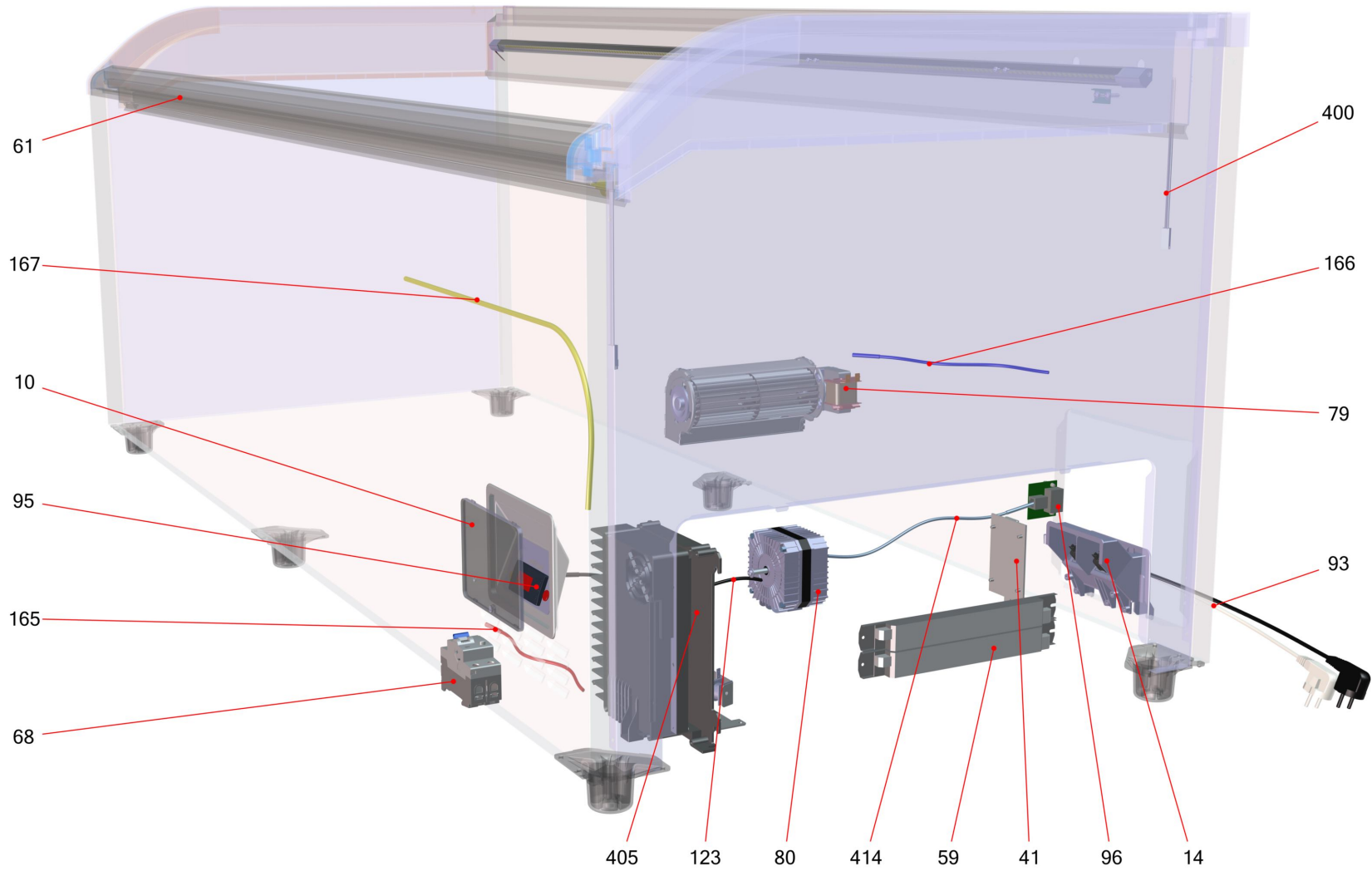
| Item no. | Article no. | Description | Quantity | Unit |
|----------|------------------------|--|----------|------|
| 3 | 441238 | roller foot thread Jumbo | 6 | ST |
| 3 | 277091 | sliding part 00/6500-00.00-00.18.00 36,5mm | 6 | ST |
| 7 | 229877 | cover controll unit front | 1 | ST |
| 11 | 287200 | air grill Jumbo black9005 | 1 | ST |
| 12 | 214518 | air grill back Jumbo PS GP grey7045 | 1 | ST |
| 18 | 276715 | siphon evaporatorbox | 1 | ST |
| 18 | 278377 | lid siphon evaporation tray | 1 | ST |
| 18 | 275812 | tube 14x19mm 50m FFPYL-MOD-BS | 2 | M |
| 56 | 230413 | lid upper Paris210 Eco grey7045 | 1 | ST |
| 57 | 230414 | lid lower Paris210 Eco grey7045 | 1 | ST |
| 101 | 361773 | seal set supermarket | 1 | ST |
| 190 | 427287 | air outlet canal set row Montreal | 1 | ST |
| 191 | 370913 | blower carrier Jumbo VS 115/60 UL NAM | 1 | ST |
| 431 | 467244 | buffer upper lid Athen Eco EF | 1 | ST |

Refrigeration chest cooler (373531)



Refrigeration chest cooler (373531)

| Item no. | Article no. | Description | Quantity | Unit |
|----------|------------------------|---------------------------------------|----------|------|
| 9 | 282686 | magnet valve 14VA R04 5C-E21 120V60Hz | 1 | ST |
| 66 | 373529 | compressor Secop NLV12.6CN 105H6355 | 1 | ST |
| 66 | 114798 | lid with mounting bracked 103N2009 | 1 | ST |
| 71 | 5039 | rubber pad compressor black | 1 | ST |
| 76 | 342854 | filter dreyer XH9 12,5G Lokring | 1 | ST |
| 122 | 276714 | evaporator box Jumbo AD | 1 | ST |



Electrics PARIS (373532)

| Item no. | Article no. | Description | Quantity | Unit |
|----------|------------------------|--|----------|------|
| 10 | 365520 | control unit Secop GP grey7045 | 1 | ST |
| 59 | 309594 | LED driver 100-240V/80W/50-60 HZ | 1 | ST |
| 61 | 356374 | LED-set CW Athen Eco 210XL (-) | 1 | ST |
| 68 | 434130 | FI-switch ABB GFCI 110V | 1 | ST |
| 79 | 228908 | fan cross current QLZ06/1800 120V/60HZ 12W | 1 | ST |
| 80 | 402913 | fan ECR2-371 Wellington + cable GP | 1 | ST |
| 81 | 442362 | VENTILATORFL. DM200,CCW,A KUSTO TRAN SP | 1 | ST |
| 93 | 335196 | connection cable IEC UL 5-15P device+barcode | 1 | ST |
| 95 | 266479 | control panel Secop SLV105N9510 TYP CRA162 | 1 | ST |
| 96 | 203705 | bus board Secop GP | 1 | ST |
| 123 | 267095 | cable connector control panel SLV 105N9509 | 1 | ST |
| 165 | 335725 | sensor floor T1 GP UL NAM red | 1 | ST |
| 166 | 402406 | sensor air T2 GP blue 1000lg | 1 | ST |
| 167 | 335726 | sensor limit T4 GP UL NAM yellow | 1 | ST |
| 400 | 368034 | LED-cable set Miami Eco 185(U) CW | 1 | ST |
| 405 | 424032 | controller NLV/GP 110-240V 50/60Hz 4668 | 1 | ST |
| 414 | 400729 | bus line intern Cat5 1,2m | 1 | ST |