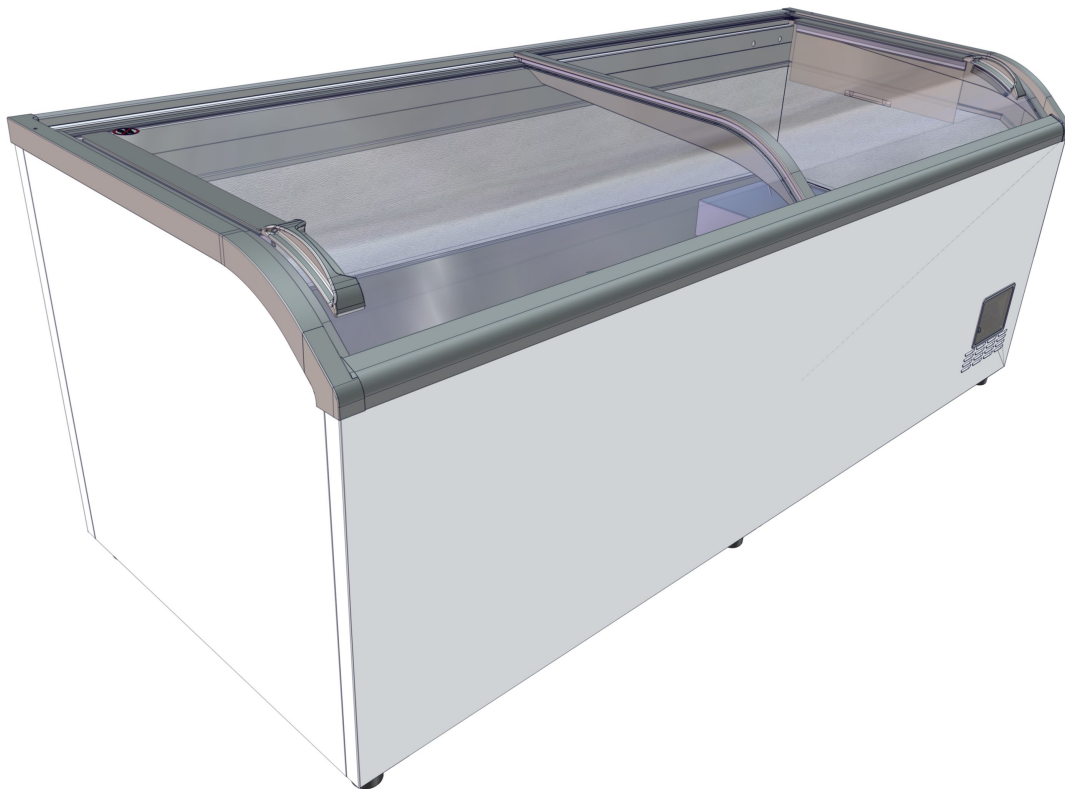


**373502**

373502

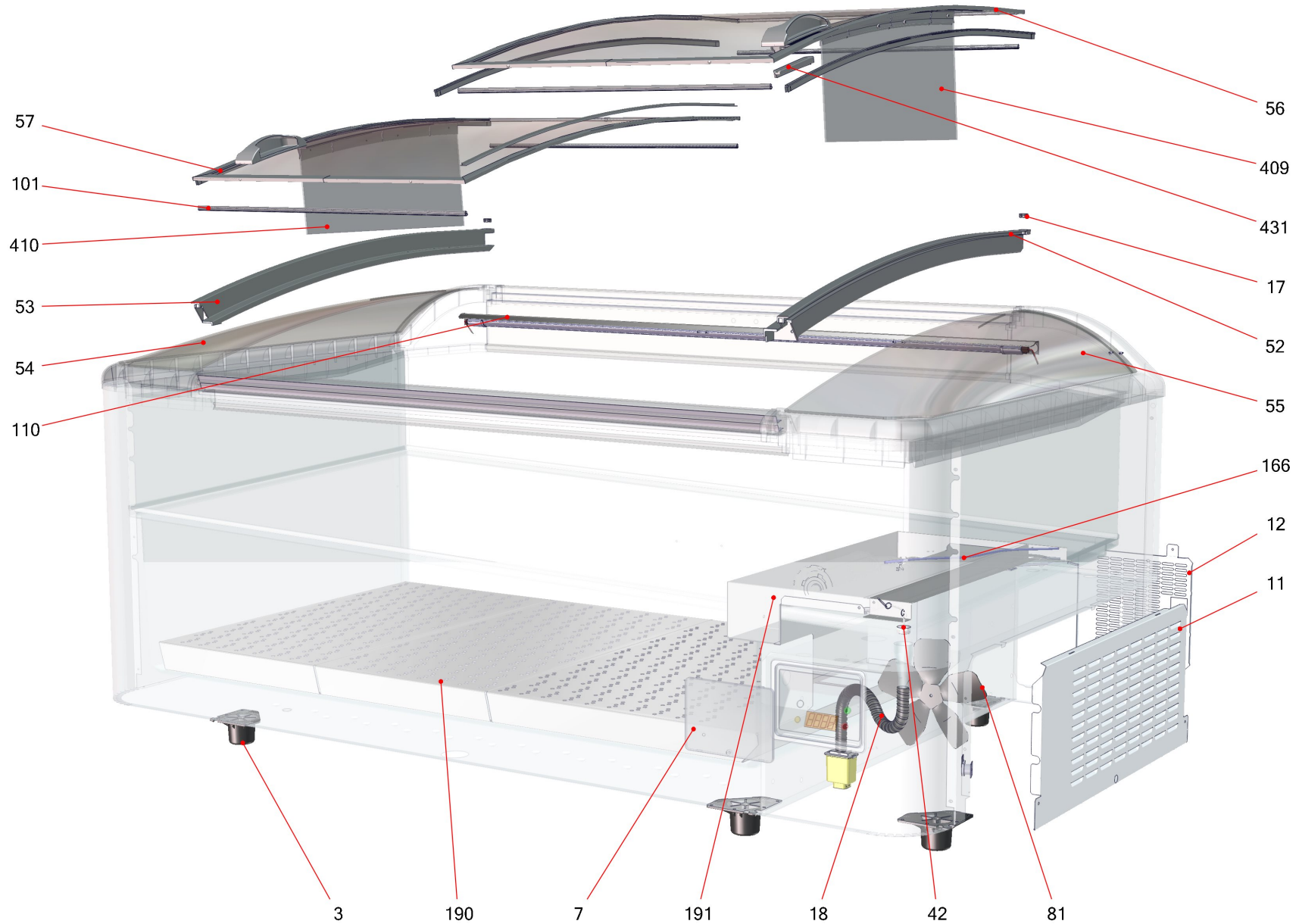


## Table of contents

---

Basic unit PARIS (366454)	3
Refrigeration chest cooler (373531)	5
Electrics PARIS (373532)	7

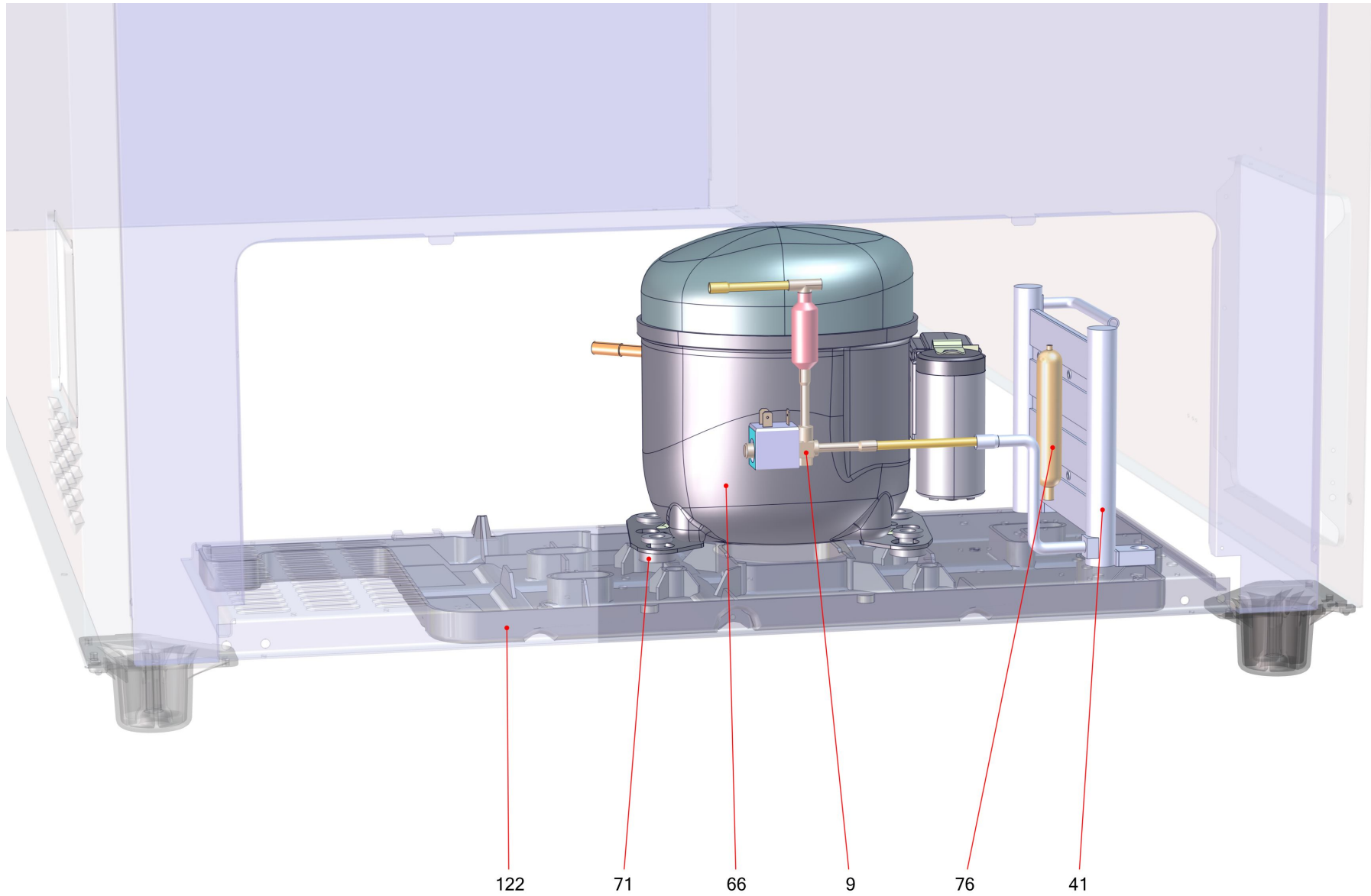
# Basic unit PARIS (366454)



## Basic unit PARIS (366454)

Item no.	Article no.	Description	Quantity	Unit
3	441238	roller foot thread Jumbo	6	ST
3	<a href="#">277091</a>	sliding part 00/6500-00.00-00.18.00 36,5mm	6	ST
7	<a href="#">229877</a>	cover controll unit front	1	ST
11	<a href="#">286714</a>	air grill air flap white9003	1	ST
12	469494	air grille back Jumbo grey7037 GP	1	ST
18	276715	siphon evaporatorbox	1	ST
18	278377	lid siphon evaporation tray	1	ST
18	275812	tube 14x19mm 50m FFPYL-MOD-BS	2	M
56	<a href="#">230413</a>	lid upper Paris210 Eco grey7045	1	ST
57	<a href="#">230414</a>	lid lower Paris210 Eco grey7045	1	ST
101	<a href="#">361773</a>	seal set supermarket	1	ST
190	427287	air outlet canal set row Montreal	1	ST
191	370913	blower carrier Jumbo VS 115/60 UL NAM	1	ST
431	467244	buffer upper lid Athen Eco EF	1	ST

## Refrigeration chest cooler (373531)



## Refrigeration chest cooler (373531)

Item no.	Article no.	Description	Quantity	Unit
9	<a href="#">282686</a>	magnet valve 14VA R04 5C-E21 120V60Hz	1	ST
66	<a href="#">373529</a>	compressor Secop NLV12.6CN 105H6355	1	ST
66	114798	lid with mounting bracked 103N2009	1	ST
71	5039	rubber pad compressor black	1	ST
76	<a href="#">342854</a>	filter dreyer XH9 12,5G Lokring	1	ST
122	276714	evaporator box Jumbo AD	1	ST



## Electrics PARIS (373532)

Item no.	Article no.	Description	Quantity	Unit
10	365520	control unit Secop GP grey7045	1	ST
59	<a href="#">309594</a>	LED driver 100-240V/80W/50-60 HZ	1	ST
61	356374	LED-set CW Athen Eco 210XL (-)	1	ST
68	434130	FI-switch ABB GFCI 110V	1	ST
79	<a href="#">228908</a>	fan cross current QLZ06/1800 120V/60HZ 12W	1	ST
80	402913	fan ECR2-371 Wellington + cable GP	1	ST
81	442362	VENTILATORFL. DM200,CCW,A KUSTO TRAN SP	1	ST
93	335196	connection cable IEC UL 5-15P device+barcode	1	ST
95	<a href="#">266479</a>	control panel Secop SLV105N9510 TYP CRA162	1	ST
96	203705	bus board Secop GP	1	ST
123	267095	cable connector control panel SLV 105N9509	1	ST
165	335725	sensor floor T1 GP UL NAM red	1	ST
166	<a href="#">402406</a>	sensor air T2 GP blue 1000lg	1	ST
167	335726	sensor limit T4 GP UL NAM yellow	1	ST
400	368034	LED-cable set Miami Eco 185(U) CW	1	ST
405	424032	controller NLV/GP 110-240V 50/60Hz 4668	1	ST
414	400729	bus line intern Cat5 1,2m	1	ST