

349907

349907

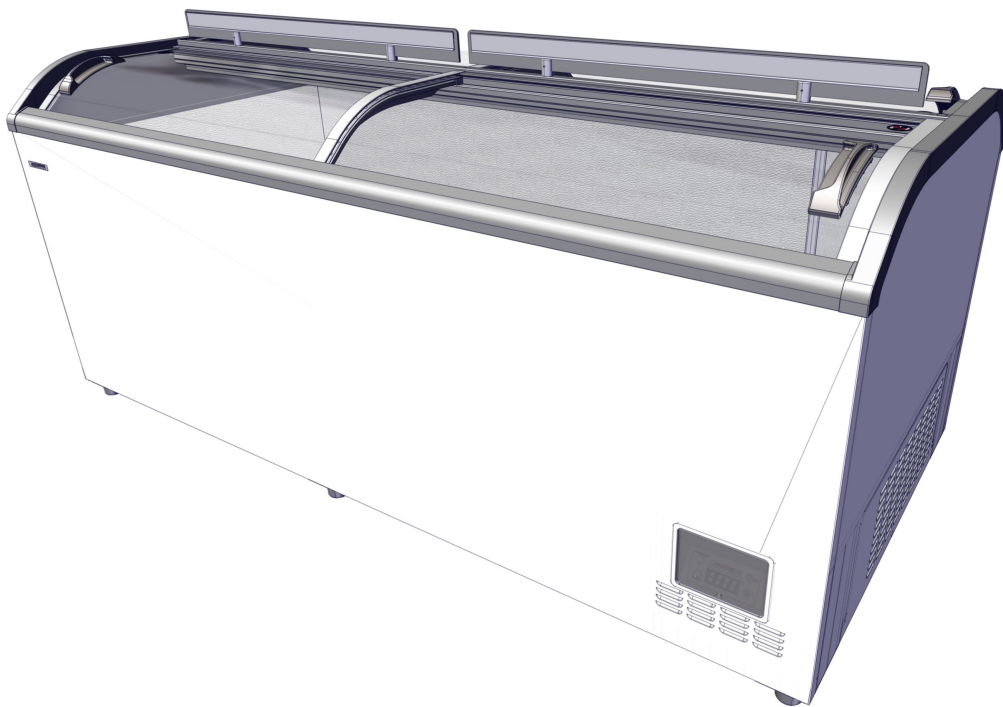
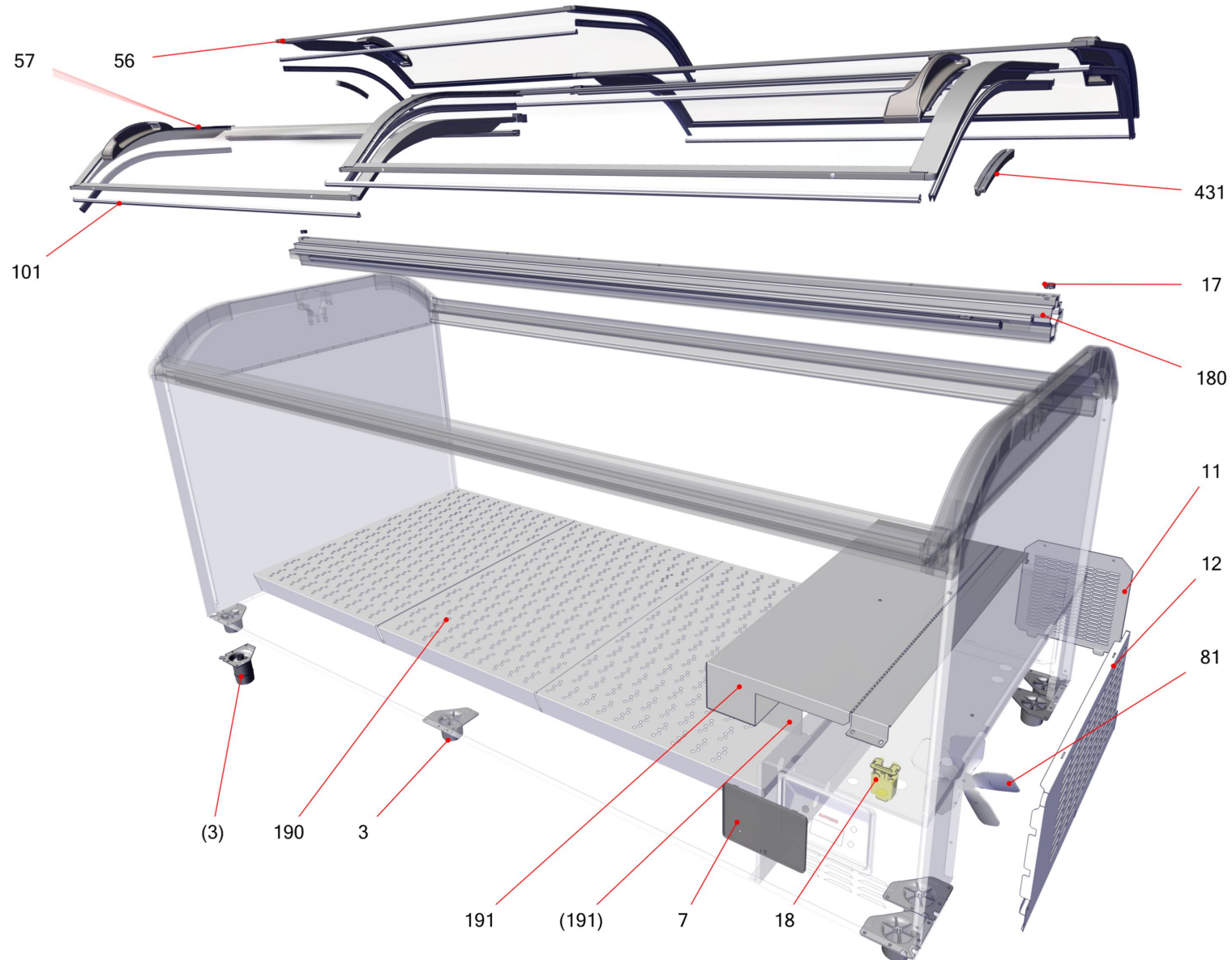


Table of contents

Basic unit MANHATTAN (372046)	3
Refrigeration chest cooler (356077)	5
Electrics MANHATTAN (372045)	7

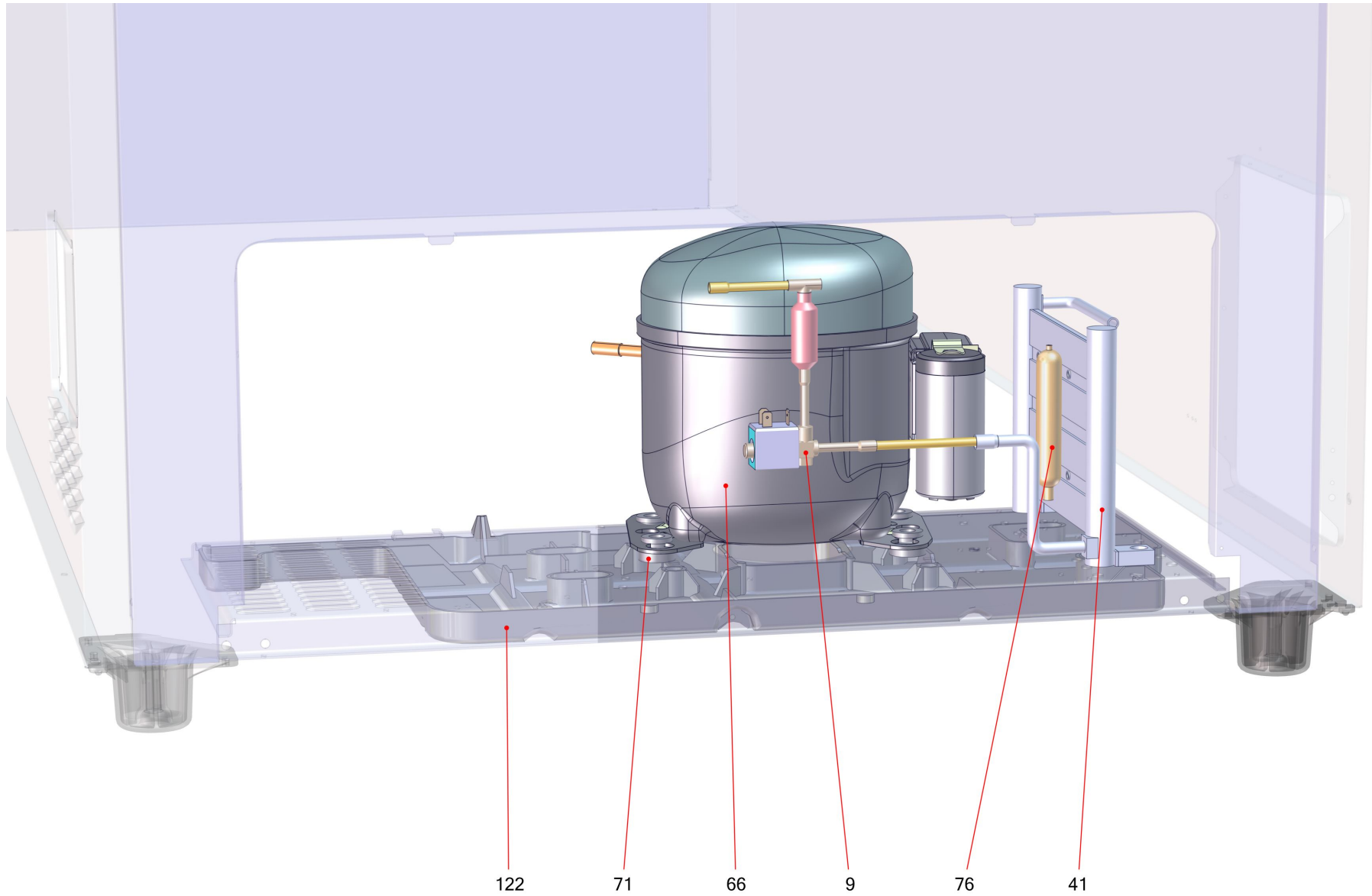
Basic unit MANHATTAN (372046)



Basic unit MANHATTAN (372046)

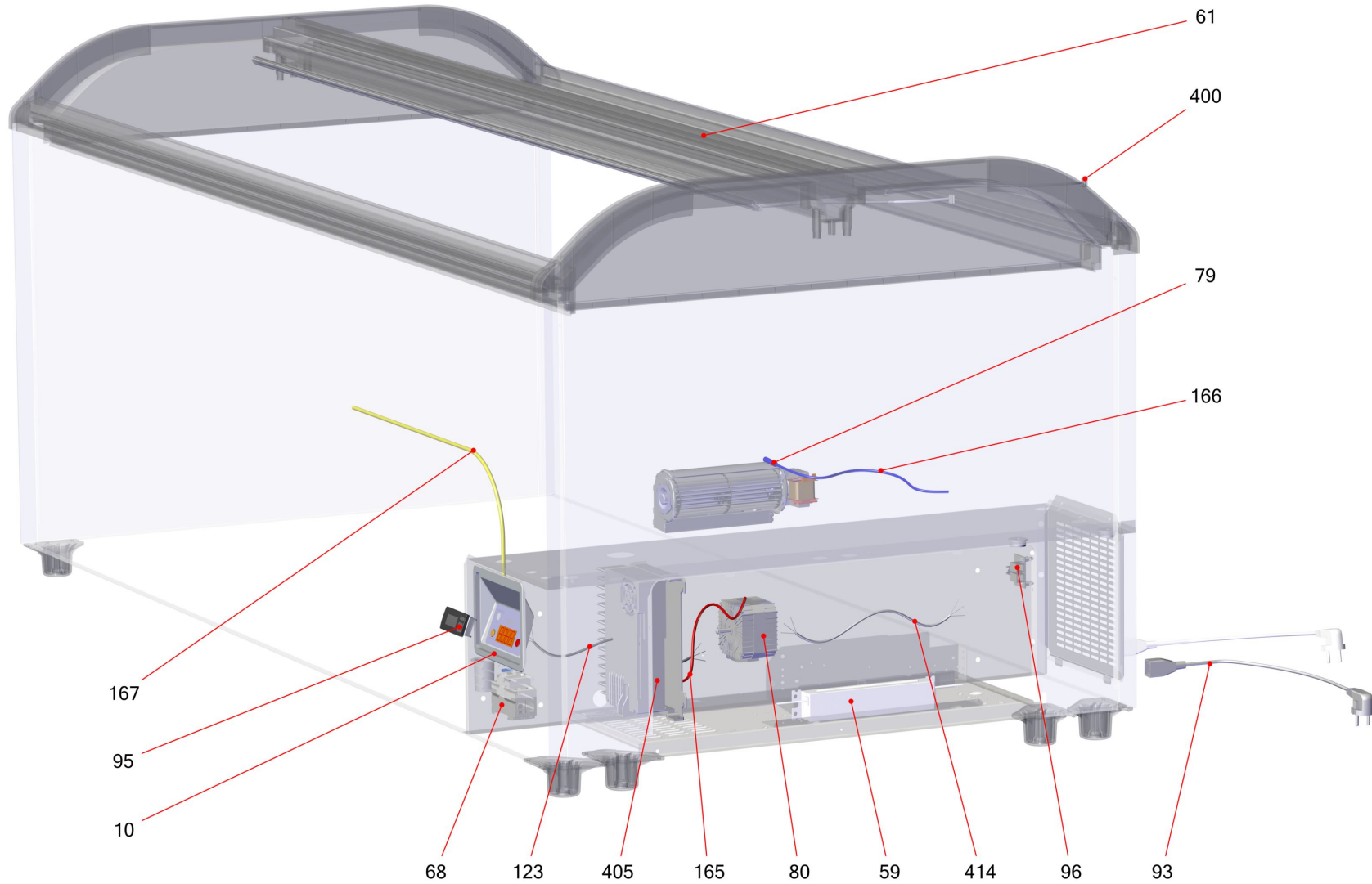
Item no.	Article no.	Description	Quantity	Unit
3	373228	extension feet VFU 35+gliding piece 36,5mm	8	ST
7	229877	cover controll unit front	1	ST
11	335176	air grill Jumbo coated grey7044	1	ST
12	349916	air grill back Manhattan coated grey7044	1	ST
17	235911	plug Paris185 ABS grey7045	2	ST
56	211595	lid upper Manhattan210XL grey	1	ST
57	211596	lid lower Manhattan210XL grey	1	ST
81	442362	VENTILATORFL. DM200,CCW,A KUSTO TRAN SP	1	ST
101	361773	seal set supermarket	1	ST
180	371769	tia bar set Manhattan210 LED+Strips CW	1	ST
190	427287	air outlet canal set row Montreal	1	ST
191	370913	blower carrier Jumbo VS 115/60 UL NAM	1	ST
431	467244	buffer upper lid Athen Eco EF	1	ST

Refrigeration chest cooler (356077)



Refrigeration chest cooler (356077)

Item no.	Article no.	Description	Quantity	Unit
9	282686	magnet valve 14VA R04 5C-E21 120V60Hz	1	ST
66	359065	compressor Secop SLV15CNK 104H8578 115V	1	ST
66	114798	lid with mounting bracked 103N2009	1	ST
71	5039	rubber pad compressor black	1	ST
76	342854	filter dreyer XH9 12,5G Lokring	1	ST
122	276714	evaporator box Jumbo AD	1	ST



Electrics MANHATTAN (372045)

Item no.	Article no.	Description	Quantity	Unit
10	365520	control unit Secop GP grey7045	1	ST
59	309594	LED driver 100-240V/80W/50-60 HZ	1	ST
61	371770	LED-set CW 1982/18-b satined grey7045	1	ST
79	228908	fan cross current QLZ06/1800 120V/60HZ 12W	1	ST
93	384477	connection cable LTG US SJT3X18AWG 3,2 15A	1	ST
95	266479	control panel Secop SLV105N9510 TYP CRA162	1	ST
96	203705	bus board Secop GP	1	ST
123	267095	cable connector control panel SLV 105N9509	1	ST
165	335725	sensor floor T1 GP UL NAM red	1	ST
166	419637	sensor air T2 GP blue 2times Roll+Verg	1	ST
167	419636	sensor limit T4 GP yellow 2x Roll+Verg.	1	ST
400	210143	LED cable strips 1500mm	2	ST
405	424048	controller GP 240V 50/60 4627 V1.14 V2	1	ST
414	400729	bus line intern Cat5 1,2m	1	ST