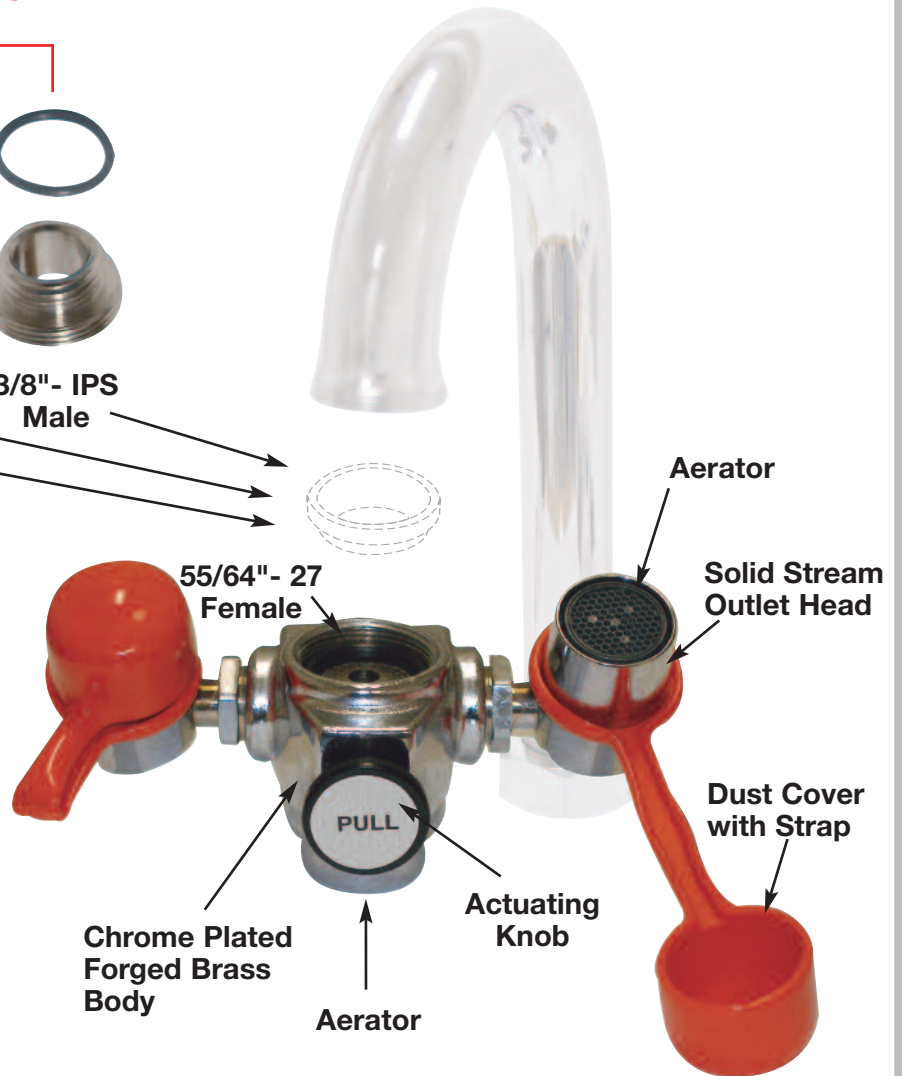
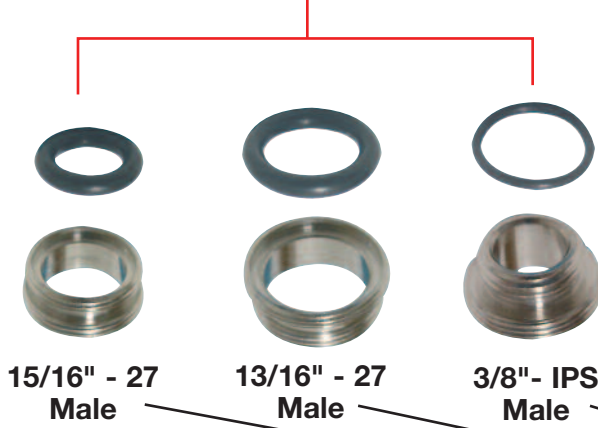


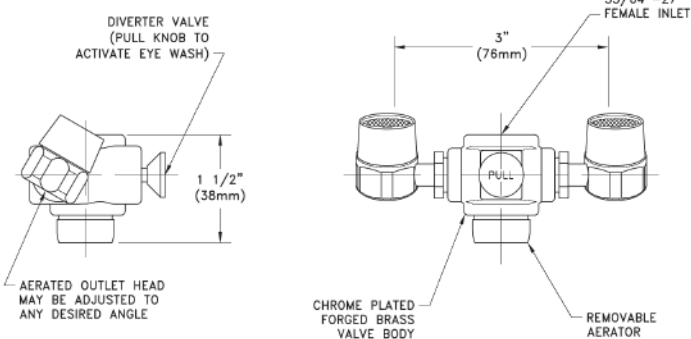
FAUCET PARTS - EXPLODED VIEW

For Model: **K-170**

ADAPTERS WITH WASHERS



DIMENSIONS



IMPORTANT: Faucet-mounted eyewashes require two motions to operate (turn on water, pull knob to activate eyewash flow). Therefore, **Advance Tabco does not believe that these units meet the provisions of ANSI Z358.1-2004 as eyewash units.** These units are intended solely as supplemental units in addition to dedicated, plumbed eyewash equipment installed in the workplace. Faucet-mounted eyewashes should be used with cold or warm water only. Use of hot water might cause scalding. Eyewash Faucets not to be used with Electronic Faucets.



HAND SINK PARTS, ACCESSORIES & MODIFICATIONS

Item #: _____

Project #: _____

FAUCETS & REPLACEMENT PARTS

<u>QTY.</u>		
_____	K-00	Repair Kit for K-50, K-52 and K-59 Faucets
_____	K-01	Bonnet for Pedal Valve/Knee Valve (K-103 & 104, 7-PS-32 & 7-PS-39 replacement)
_____	K-08	.5 GPM Low-Flow Aerator
_____	K-12	Deck Mounted Soap Dispenser
_____	K-13	Stainless Steel Wall Mounted Soap Dispenser
_____	K-22	Deck Mounted Faucet
_____	K-47	Drinking Bubbler
_____	K-52	Gooseneck - Deck Mounted - Extra Heavy Duty
_____	K-59	Splash Mounted Gooseneck Faucet - 4" O.C.
_____	K-69	Splash Mounted Gooseneck Faucet - 4" O.C. (extra heavy duty)
_____	K-121	Gooseneck Faucet
_____	K-123	6" Extended Style Swing Spout Splash Mount Faucet
_____	K-124	6" Extended Style Swing Spout Deck Mount Faucet
_____	K-175	Splash Mounted Hands Free Electronic Faucet (AC/DC Operated)
_____	K-180	Deck Mounted Hands Free Electronic Faucet (AC/DC Operated)
_____	K-190	Metered Faucet
_____	K-208	6" Extended Style Swing Spout Deck Mount Faucet with Wrist Handles
_____	K-316	Replacement Wrist Handle Faucet for Splash Mounted Handsinks
_____	K-316-LU	Wrist Handles Only for Splash Mount
_____	K-320-LU	Wrist Handles Only for Deck Mount
_____	K-400	Hands-Free Wand

ACCESSORIES & MODIFICATIONS

<u>QTY.</u>		
_____	K-26	Lever Operated Drain with Overflow & P-Trap
_____	K-103	Foot Pedal Valve Replacement
_____	K-104	Knee Valve Replacement
_____	K-170	Eye Wash Attachment
_____	K-310	Strainer Basket With Metal Post
_____	K-316-LU	Wrist Handles Only For Splash Mounted Faucets
_____	K-320-LU	Wrist Handles Only For Deck Mounted Faucets
_____	K-410	Strainer Plate For 7-PS-50 Drain
_____	7-PS-10	P-Trap Chrome plated (1-1/2" IPS-17 gauge)
_____	7-PS-11	Welded 12" High Side Splash For Units with 10"x14" Bowl and Splash Mounted Faucet
_____	7-PS-11A	Welded 12" High Side Splash For Units with 9"x9" Bowls
_____	7-PS-11B	Welded 12" High Side Splash For Units with 10"x14" Bowl and Deck Mounted Faucet
_____	7-PS-11C	Welded 12" High Side Splash For Units with 16"x14"
_____	7-PS-11D	Welded 12" High Side Splash For 7-PS-25, 7-PS-26
_____	7-PS-11E	Welded 12" High Side Splash For 16"x20" Bowl
_____	7-PS-12	Wall Mounted Soap Dispenser
_____	7-PS-14	P-Trap Chrome plated (1-1/2" IPS-22 gauge)
_____	7-PS-15	Two Welded 12" High Welded Side Splashes For Units with 10"x14" Bowl and Splash Mounted Faucet
_____	7-PS-15A	Two Welded 12" High Side Splashes For Units with 9"x9" Bowls

QTY.

_____	7-PS-15B	Two Welded 12" High Side Splashes For Units with 10"x14" Bowl and Deck Mounted Faucet
_____	7-PS-15C	Two Welded 12" High Side Splashes For Units with 16"x14"
_____	7-PS-15D	Two Welded 12" High Side Splashes For 7-PS-25, 7-PS-26
_____	7-PS-15E	Two Welded 12" High Side Splashes For 16"x20" Bowls
_____	7-PS-16	Welded 7-3/4" High Side Splash For Units with 10"x14" Bowl and Splash Mounted Faucet
_____	7-PS-16A	Welded 7-3/4" High Side Splash For Units with 9"x9" Bowls
_____	7-PS-16B	Welded 7-3/4" High Side Splash For Units with 10"x14" Bowl and Deck Mounted Faucet
_____	7-PS-16C	Welded 7-3/4" High Side Splash For Units with 16"x14" Bowls
_____	7-PS-16D	Welded 7-3/4" High Side Splash For 7-PS-25, 7-PS-26
_____	7-PS-17	Two Welded 7-3/4" High Welded Side Splashes For Units with 10"x14" Bowl and Splash Mounted Faucet
_____	7-PS-17A	Two Welded 7-3/4" High Side Splashes For Units with 9"x9" Bowls
_____	7-PS-17B	Two Welded 7-3/4" High Side Splashes For Units with 10"x14" Bowl and Deck Mounted Faucet
_____	7-PS-17C	Two Welded 7-3/4" High Side Splashes For Units with 16"x14" Bowls
_____	7-PS-17D	Two Welded 7-3/4" High Side Splashes For 7-PS-25, 7-PS-26
_____	7-PS-24	Tubular Wall Supports
_____	7-PS-27	Bolted 7-3/4" High Side Splash For Units with 10"x14" Bowl and Splash Mounted Faucet
_____	7-PS-27A	Bolted 7-3/4" High Side Splash For Units with 9"x9" Bowls
_____	7-PS-27B	Bolted 7-3/4" High Side Splash For Units with 10"x14" Bowl and Deck Mounted Faucet
_____	7-PS-27C	Bolted 7-3/4" High Side Splash For Units with 16"x14" Bowls
_____	7-PS-27D	Bolted 7-3/4" High Side Splashes For 7-PS-25, 7-PS-26
_____	7-PS-27E	Bolted 7-3/4" High Side Splashes For 16"x20" Bowls
_____	7-PS-29	Added Trash Receptacle (To Pedestal Base Models 7-PS-33 or 7-PS-37)
_____	7-PS-31	Skirt Assembly For Support For 10" x 14" Bowls with Splash Mounted Faucets (Clearance Height: Front - 5-1/4", Back - 7-1/2")
_____	7-PS-31A	Skirt Assembly For Support For 9" x 9" Bowls (Clearance Height: Front - 5-1/4", Back - 7-1/2")
_____	7-PS-31B	Skirt Assembly For Support For 10" x 14" Bowls with Deck Mounted Faucets (Clearance Height: Front - 5-1/4", Back - 7-1/2")
_____	7-PS-32	Knee Operated Valve Assembly
_____	7-PS-33	Pedestal Base With Foot Valve
_____	7-PS-34	Towel & Soap Dispenser
_____	7-PS-35	Paper Towel Dispenser - Wall Mounted
_____	7-PS-36	Side Mounting Wall Brackets For Added Strength
_____	7-PS-37	Pedestal Base Only
_____	7-PS-37B	Pedestal Base For Deck Mounted Faucet
_____	7-PS-38	Plastic Replacement Handles
_____	7-PS-39	Foot Pedal Assembly with Floor Bracket
_____	7-PS-92	Tankless Water Heater for edestal Base Hand Sinks



Customer Service Available To Assist You **1-800-645-3166** 8:30 am - 8:00 pm E.S.T.

Email Orders To: customer@advancetabco.com. For Smart Fabrication™ Quotes, Email To: smartfab@advancetabco.com or Fax To: 631-586-2933

NEW YORK
Fax: (631) 242-6900

GEORGIA
Fax: (770) 775-5625

TEXAS
Fax: (972) 932-4795

NEVADA
Fax: (775) 972-1578

Side Splashes For Hand Sinks



Welded



Bolted

(Includes Holes.
Hardware not
included)

7-3/4" High Welded Side Splashes

ONE SIDE SPLASH

MODEL #
7-PS-16

TWO SIDE SPLASHES

MODEL # DESCRIPTION
7-PS-17 Units with 10"x14" Bowl
and Splash Mounted Faucet

7-PS-16A	7-PS-17A	Units with 9"x9" Bowls
7-PS-16B	7-PS-17B	Units with 10"x14" Bowl and Deck Mounted Faucet
7-PS-16C	7-PS-17C	Units with 16"x14" & 16"x20" Bowls
7-PS-16D	7-PS-17D	7-PS-25, 7-PS-26, 7-PS-75

12" High Welded Side Splashes

ONE SIDE SPLASH

MODEL #
7-PS-11

TWO SIDE SPLASHES

MODEL # DESCRIPTION
7-PS-15 Units with 10"x14" Bowl
and Splash Mounted Faucet

7-PS-11A	7-PS-15A	Units with 9"x9" Bowls
7-PS-11B	7-PS-15B	Units with 10"x14" Bowl and Deck Mounted Faucet
7-PS-11C	7-PS-15C	7-PS-18, 7-PS-30, 7-PS-49
7-PS-11D	7-PS-15D	7-PS-25, 7-PS-26, 7-PS-75
7-PS-11E	7-PS-15E	Units with 16"x20" Bowl

7-3/4" High Bolted Side Splashes

ONE SIDE SPLASH

MODEL #	DESCRIPTION
7-PS-27	Units with 10"x14" Bowl and Splash Mounted Faucet
7-PS-27A	Units with 9"x9" Bowls
7-PS-27B	Units with 10"x14" Bowl and Deck Mounted Faucet
7-PS-27C	Units with 16"x14" & 16"x20" Bowls
7-PS-27D	7-PS-25, 7-PS-26, 7-PS-75
7-PS-27E	Units with 16"x20" Bowl

Pedestal Bases

For use with 10" x 14" Hand Sink Bowls*
(Sinks Not Included)



With Foot Valve
7-PS-33



Pedestal Base Only
7-PS-37



**Plastic
Replacement
Handles**
7-PS-38



Add Trash Receptacle
For 7-PS-33, 7-PS-37 or 7-PS-37B Only
7-PS-29

*Pedestal Base For 7-PS-20 and 7-PS-20-NF Hand Sinks
7-PS-37B

ADVANCE TABCO is constantly engaged in a program of improving our products.
Therefore, we reserve the right to change specifications without prior notice.

© ADVANCE TABCO, NOVEMBER 2012

HAND SINK ACCESSORIES

Instant Hot Water on Demand

This unit allows for hand sinks to be
installed in remote areas with just a
cold water supply and available 30
amp electric power.

There is no delay or wasted water
while waiting for hot water to reach
the faucet.

Includes Heater & Plumbing Hardware



7-PS-92

Tubular Wall Supports



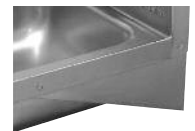
MODEL # DESCRIPTION
7-PS-24 Units with 10"x14" Bowl
and Splash Mounted Faucet

7-PS-24B Units with 10"x14" Bowl
and Deck Mounted Faucet

7-PS-24C Units with 16"x14" & 16"x20" Bowls

Side Mounting Wall Brackets For Added Strength

7-PS-36
(includes 2 brackets (Add to price of sink)



Skirt Assembly For Support

7-PS-31 7-PS-31A 7-PS-31B

Fits Hand Sinks
with 10" x 14"
Bowl and Splash
Mounted Faucets

Fits Hand Sinks
with 9" x 9"
Bowl Only

Fits Hand Sinks
with 10" x 14"
Bowl and Deck
Mounted Faucets



Mirror Highlite Edge For Hand Sinks

7-PS-106



C-Fold Style Paper Towel & Soap Dispenser

Mounts On 17" Wide Hand Sinks Only

7-PS-34



7-PS-35



Removable Utility Tray for Side Splashes

- 8" x 3" x 2 5/16" Tray.
- Tray hem allows to hang from any
standard side splash.
- Perforated for water drainage.

7-PS-48



200 Heartland Boulevard, Edgewood, NY 11717-8380

HAND SINK ACCESSORIES

Standard Faucet conforms to NSF 61 Standard 9. An optional faucet upgrade is required for compliance to AB 1953 Standards.

<p>EXTRA HEAVY DUTY Splash Mounted Faucet K-69 4" O.C.</p>  	<p>Splash Mounted Faucet K-59 4" O.C.</p> 	<p>Splash Mounted Hands Free Faucet New Design Powered by AC or Battery! K-175</p> 	<p>Deck Mounted Hands Free Faucet New Design Powered by AC or Battery! K-180</p> 	<p>Splash Mounted Gooseneck Spout K-121</p> 
<p>Deck Mounted Faucet K-22</p> 	<p>Splash Mounted 6" Extended Faucet K-123</p> 	<p>Deck Mounted 6" Extended Faucet K-124</p> 	<p>Deck Mounted 6" Extended Faucet with Wrist Handles K-208</p> 	<p>Replacement Wrist Handle Faucet for Splash Mounted Handsink Faucets K-316</p> 
<p>Wrist Handles Only For Splash Mount K-316-LU</p>  <p>For Deck Mount K-320-LU</p>  <p>For 7-PS-20, 7-PS-22, 7-PS-83 & 7-PS-88 hand sinks.</p>	<p>Metered Faucet K-190</p> 	<p>Hands-Free Wand NEW! K-400 (Spout not included)</p> 	<p>Foot Pedal Assembly w/ Floor Bracket 7-PS-39</p>  <p>Foot Pedal Valve Replacement K-103 Combo, H/C Single Pedal</p> 	<p>Knee Valve Replacement K-104</p>  <p>Knee Valve Assembly w/ Mounting Bracket 7-PS-32</p> 
<p>Bonnet for Pedal Valve/ Knee Valve (K-103 & K-104, 7-PS-32 & 7-PS-39 replacement) K-01</p> 	<p>Eye Wash Attachment K-170</p> 	<p>Chrome Plated P-Trap 7-PS-14 1-1/2" IPS 22 Gauge</p>  <p>Heavy Duty 7-PS-10 1-1/2" IPS 17 Gauge</p>	<p>3-1/2" Basket Drain Assembly K-6 1-1/2" IPS</p>  <p>Replacement Drain For K-6 K-310</p> 	<p>Replacement Strainer Plate for 3-1/2" Drain K-410</p> 
<p>Replacement Lever Drain w/ overflow & P-trap K-26</p> 	<p>Punch For Single Hole Deck Mount Faucet (Faucet not included) K-71</p>  <p>Punch For 8" O.C. Faucet Holes K-70</p> 	<p>Repair Kit for K-22, K-50, K-52 and K-59 K-00</p>  <p>Repair Kit can only be used on faucets purchased after 12/03</p>	<p>SOAP DISPENSERS</p> <p>Wall Mounted Soap Dispensers</p>  <p>7-PS-12 K-13</p> <p>Deck Mounted Soap Dispenser</p>  <p>K-12</p>	



200 Heartland Boulevard, Edgewood, NY 11717-8380

ADVANCE TABCO is constantly engaged in a program of improving our products. Therefore, we reserve the right to change specifications without prior notice.

© ADVANCE TABCO, AUGUST 2012