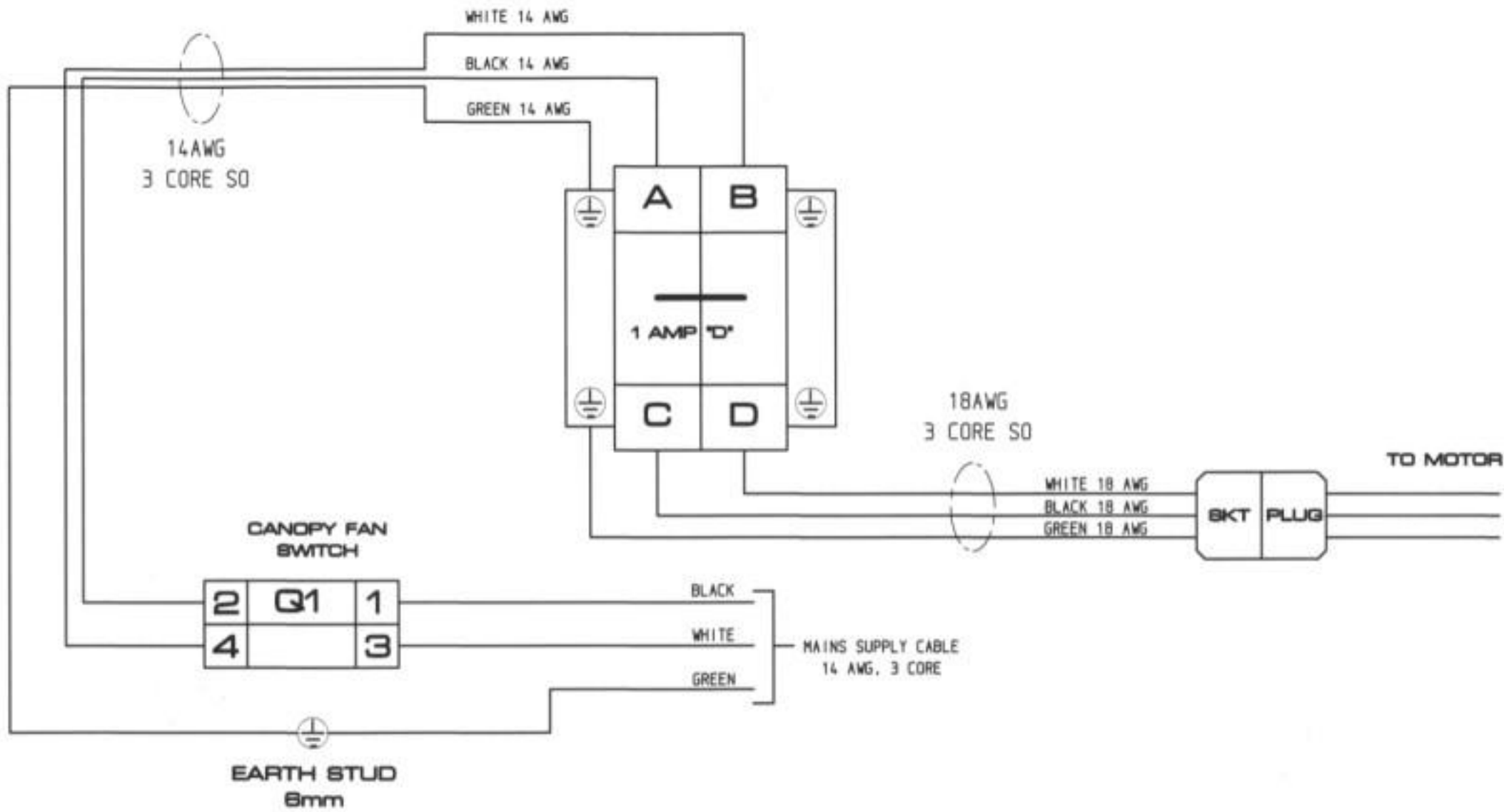
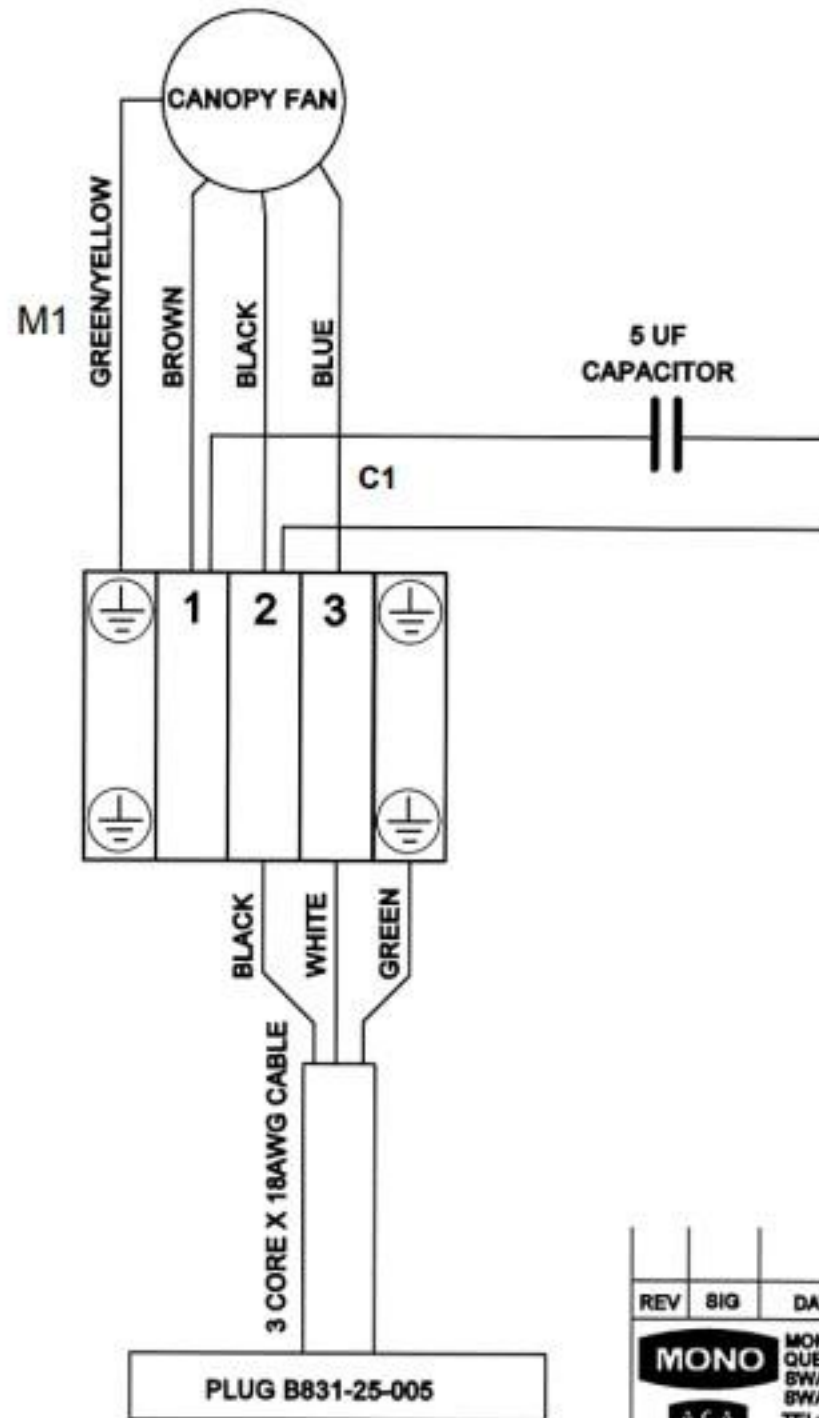


IF IN ANY DOUBT - ASK




REV	SIG	DATE	REVISION	ECN NO.
<p>MONO EQUIPMENT QUEENSWAY SWANSEA WEST IND PARK SWANSEA, SA5 4EB. TEL: (01792) 561234 FAX: (01792) 561016 Email: engineering@monoequip.com</p>			<p>TITLE: HARMONY DECK OVEN CANOPY FAN WIRING</p>	
<p>ELECTRICAL SPECIFICATIONS:-</p>			<p>UL</p>	<p>ELECTRICALLY APPROVED BY:- AT</p>
<p>DRAWN: RAC</p>			<p>DATE: 5-02-07</p>	<p>DRAWING NO. M257E25-50500</p>
<p>REV: ---</p>			<p>REV: ---</p>	

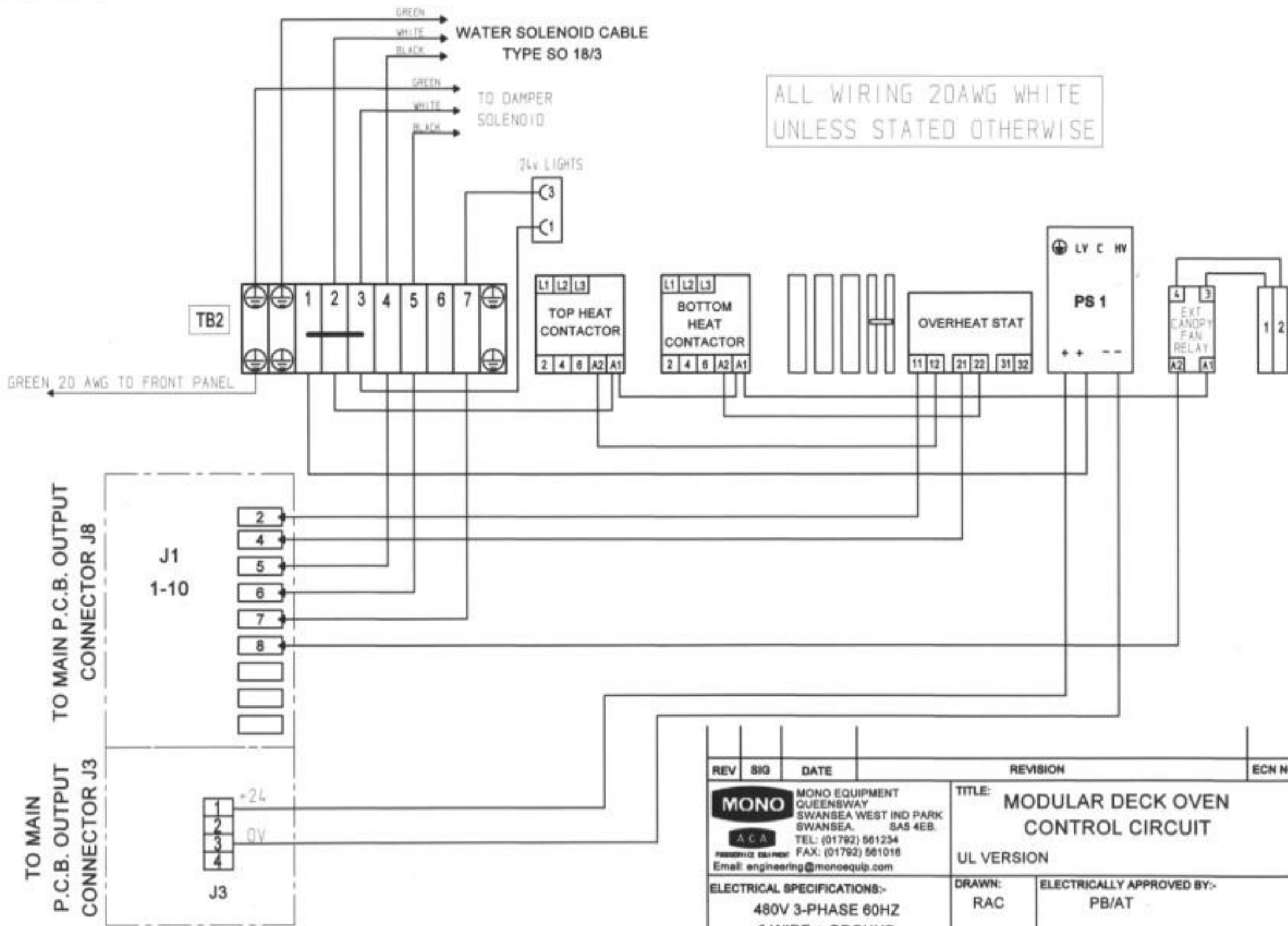
IF IN ANY DOUBT - ASK



FROM CANOPY CONTROL PANEL

REV	SIG	DATE	REVISION	ECN NO.
 MONO EQUIPMENT QUEENSWAY SWANSEA WEST IND PARK SWANSEA, SA5 4EB. TEL: (01792) 551234 FAX: (01792) 551018 Email: engineering@monoequip.com			TITLE: MODULAR DECK OVEN CANOPY FAN WIRING UL VERSION	
ELECTRICAL SPECIFICATIONS:-			DRAWN: RAC	ELECTRICALLY APPROVED BY:- PB/AT
			DATE: 28-4-05	DRAWING NO. M247E25-50600
				REV: -

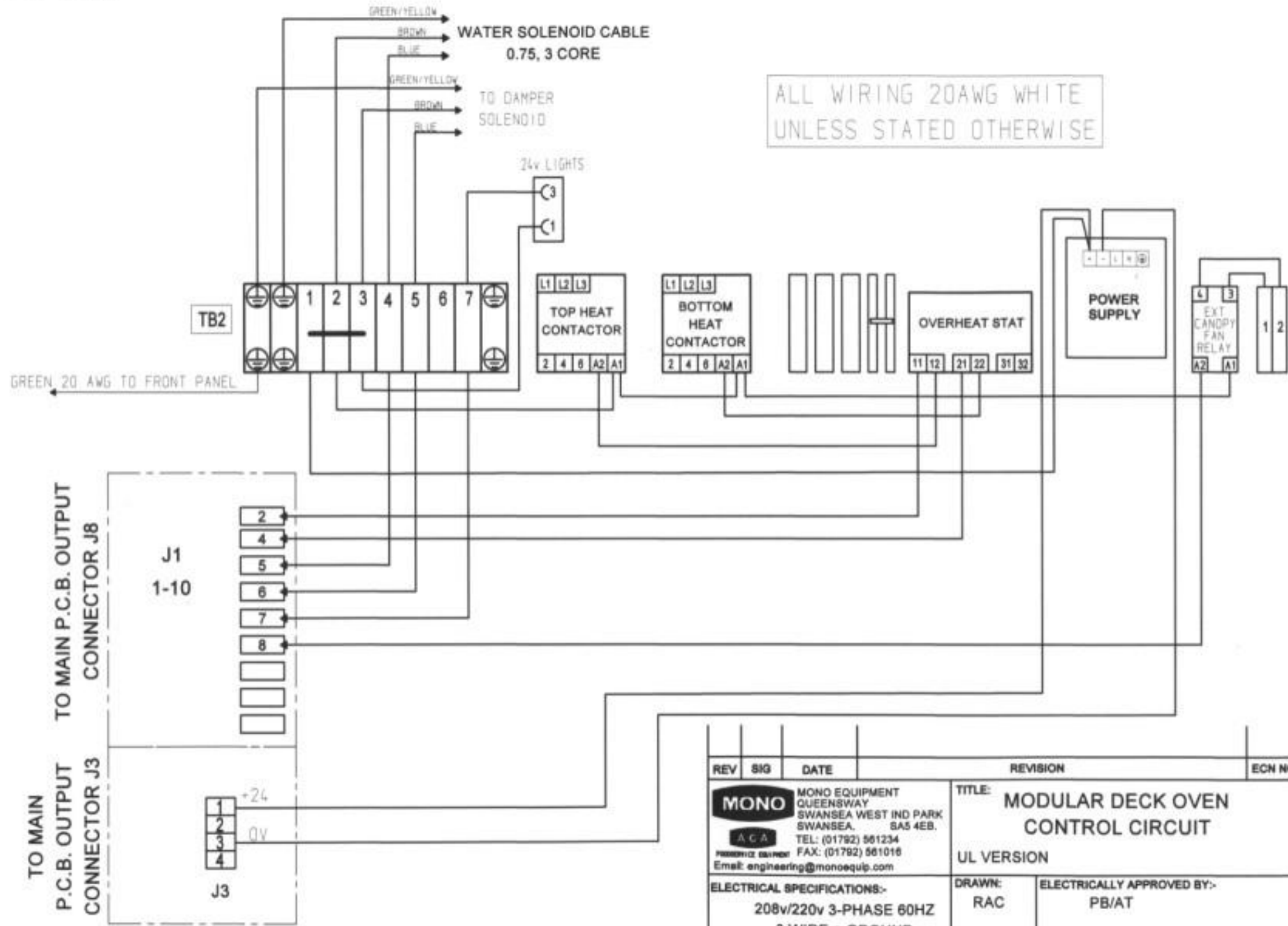
IF IN ANY DOUBT - ASK



ALL WIRING 20AWG WHITE
UNLESS STATED OTHERWISE

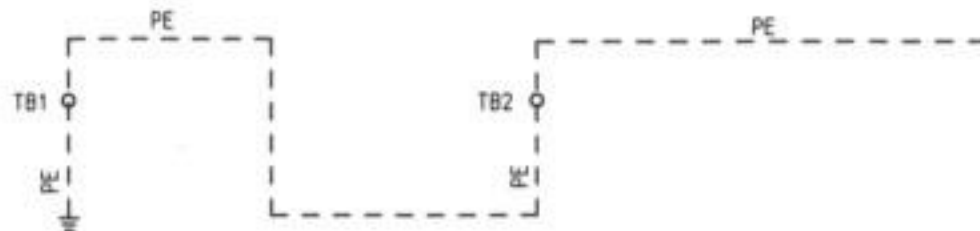
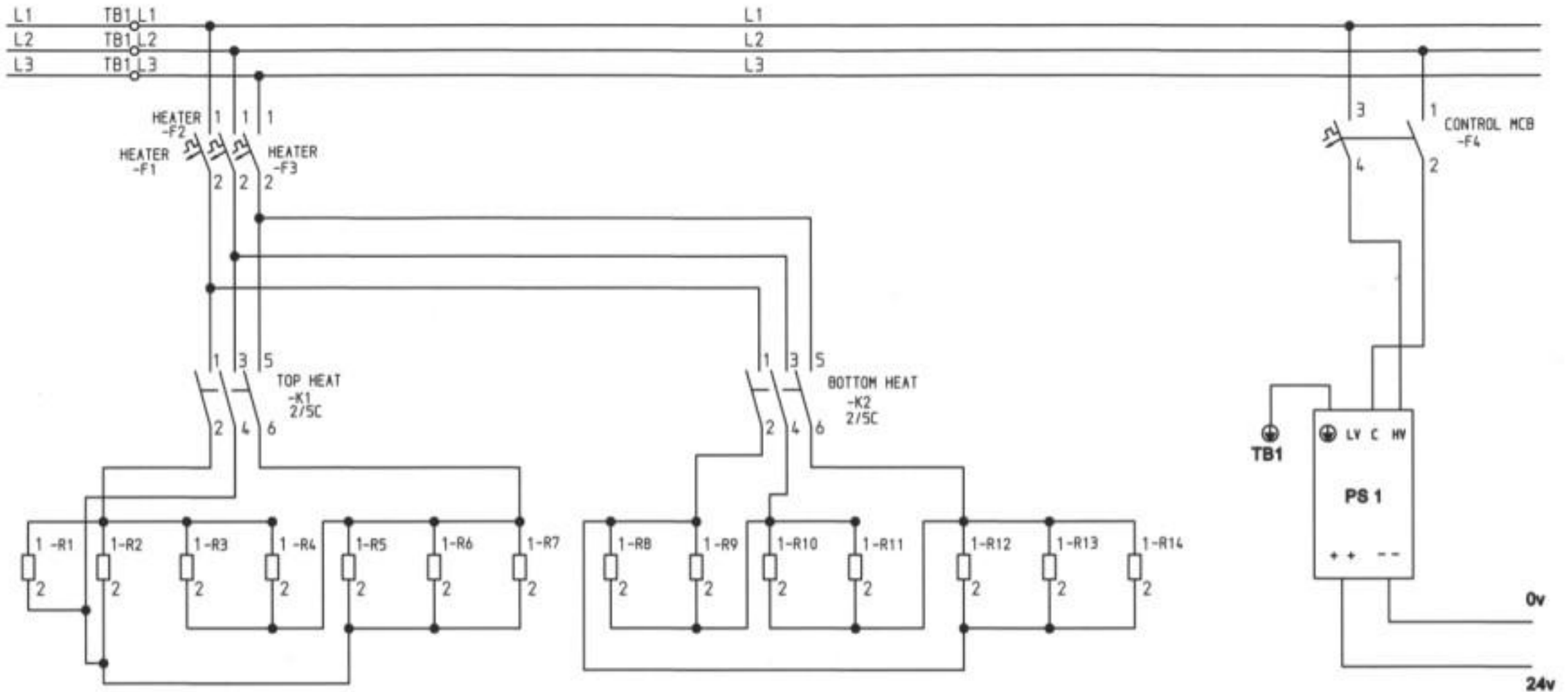
REV	SIG	DATE	REVISION	ECN NO.
		MONO EQUIPMENT QUEENSWAY SWANSEA WEST IND PARK SWANSEA, SA5 4EB. TEL: (01792) 561234 FAX: (01792) 561016 Email: engineering@monoequip.com		TITLE: MODULAR DECK OVEN CONTROL CIRCUIT UL VERSION
ELECTRICAL SPECIFICATIONS:- 480V 3-PHASE 60HZ 3 WIRE + GROUND		DRAWN: RAC	ELECTRICALLY APPROVED BY:- PB/AT	
		DATE: 26-4-05	DRAWING NO. M257E25-50900	REV:

IF IN ANY DOUBT - ASK



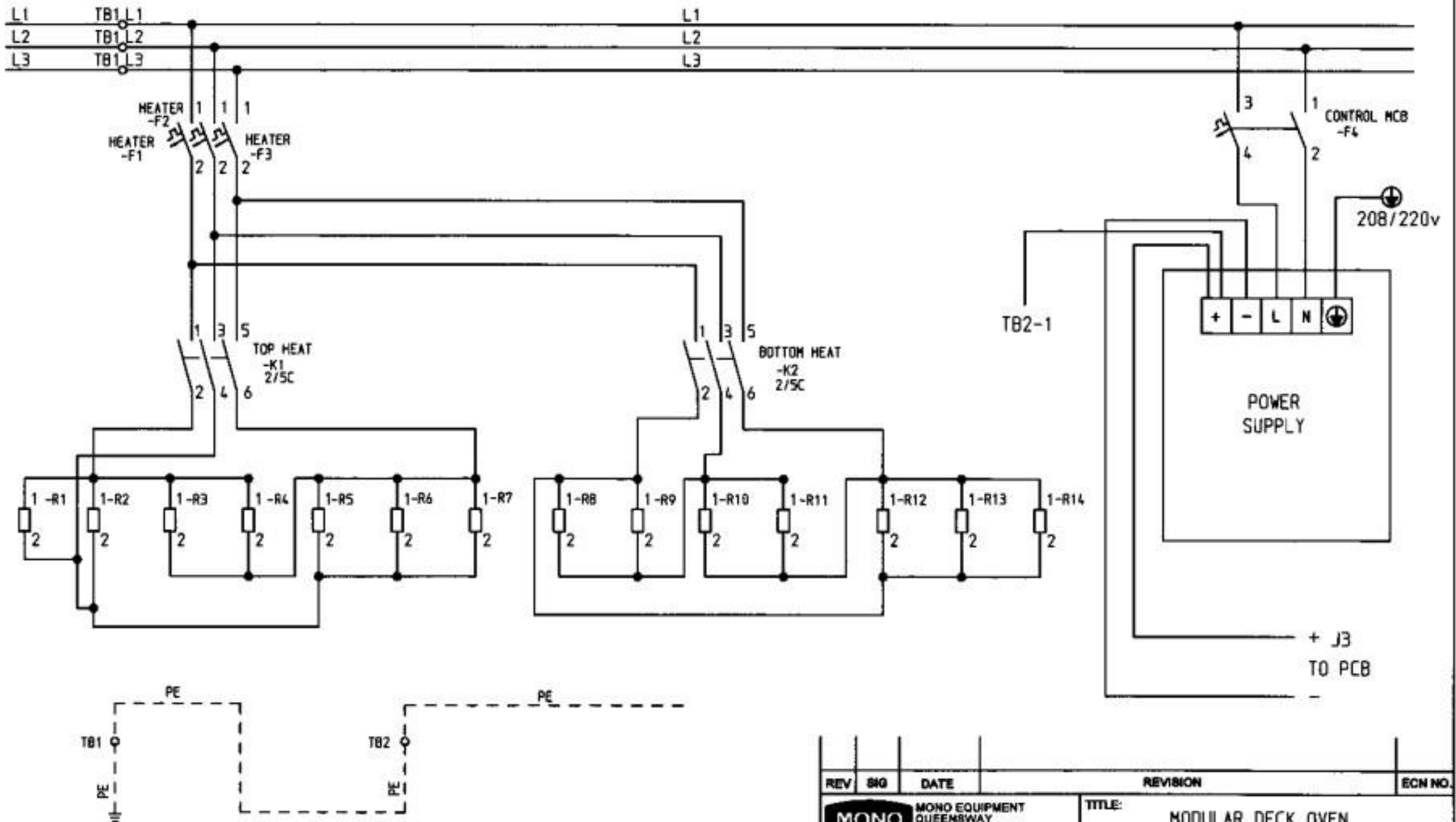
REV	SIG	DATE	REVISION	ECH NO.
		MONO EQUIPMENT QUEENSWAY SWANSEA WEST IND PARK SWANSEA, SA5 4EB. TEL: (01792) 561234 FAX: (01792) 561016 Email: engineering@monoequip.com		TITLE: MODULAR DECK OVEN CONTROL CIRCUIT UL VERSION
ELECTRICAL SPECIFICATIONS:- 208v/220v 3-PHASE 60HZ 3 WIRE + GROUND			DRAWN: RAC	ELECTRICALLY APPROVED BY:- PB/AT
DATE: 9-10-06			DRAWING NO. M257E25-	REV:


IF IN ANY DOUBT - ASK



REV	SIG	DATE	REVISION	ECN NO.
<p>MONO EQUIPMENT QUEENSWAY SWANSEA WEST IND PARK SWANSEA, SA5 4EB. TEL: (01792) 561234 FAX: (01792) 561016 Email: engineering@monoequip.com</p>			<p>TITLE: MODULAR DECK OVEN POWER CIRCUIT TOP-BOTTOM HEAT</p> <p>UL VERSION</p>	
<p>ELECTRICAL SPECIFICATIONS:- 480V 3 PHASE 60HZ 3 WIRE + GROUND</p>			<p>DRAWN: RAC</p>	<p>ELECTRICALLY APPROVED BY:- PB/AT</p>
			<p>DATE: 9-10-06</p>	<p>DRAWING NO. M257E25-50800</p>
				<p>REV: —</p>

IF IN ANY DOUBT - ASK



REV	SIG	DATE	REVISION	ECN NO.	
 MONO EQUIPMENT QUEENSWAY SWANSEA WEST IND PARK SWANSEA, SA5 4EB. TEL: (01792) 561234 FAX: (01792) 561016 Email: engineering@monoequip.com					
TITLE: MODULAR DECK OVEN POWER CIRCUIT TOP-BOTTOM HEAT			U.K. VERSION		
ELECTRICAL SPECIFICATIONS:- 220V 3 PHASE 60HZ 3 WIRE + GROUND		DRAWN: RAC	ELECTRICALLY APPROVED BY:- PB/AT		
		DATE: 12-6-06	DRAWING NO. M257E25-	REV: —	