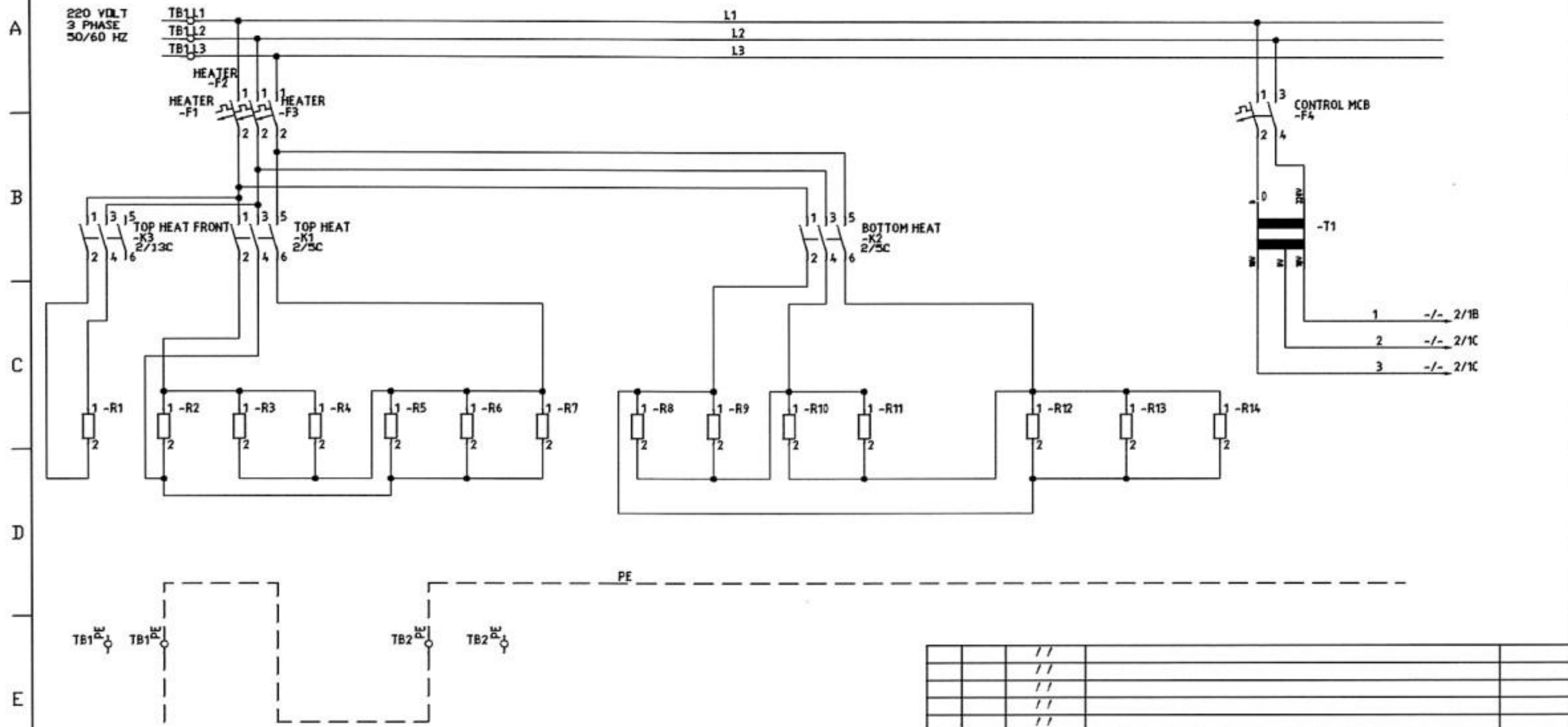


1 4 7 10 13 16 19 22
 IF IN ANY DOUBT - ASK

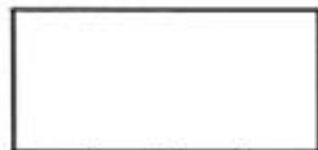


REV	SIG	DATE	REVISION	ECN NO.

 SVANSEA IND EST. FFORESTFACH, SVANSEA. SA5 4EB. TEL: (01792) 561234 EQUIPMENT LINES FAX: (01792) 561016 Email: 100432.5@compuserve.com		TITLE: DXM DECK OVEN LED 220V 3 PHASE 50/60 POWER CIRCUIT TOP-BOTTOM HEAT	
ELECTRICAL SPECIFICATIONS:- LOCATION:- = DFS ZONE:- + DFZ PREV.DWG- NEXT.DWG- 2		DRAWN: DATE: 30/07/2002 ELECTRICALLY APPROVED BY:- DRAWING NO. SHEET: 1 OF: 5	

IF IN ANY DOUBT - ASK

3 WAY 0.156 PITCH
POWER INPUT CONNECTOR J3



- U1
MAIN PCB
- | | | | | | | |
|---|------|---|-----------|----|------|---|
| 1 | 2/1E | - | 4V THERMO | 7 | 2/5B | - |
| 2 | 2/1E | - | | 8 | 2/5B | - |
| 3 | 2/1E | - | | 9 | 2/5B | - |
| 4 | 2/1E | - | | 10 | 2/5B | - |
| 1 | 2/5B | - | 150TT | 11 | 2/5B | - |
| 2 | 2/5B | - | | 12 | 2/5B | - |
| 3 | 2/5B | - | | 13 | 2/5B | - |
| 4 | 2/5B | - | | 14 | 2/5B | - |
| 5 | 2/5B | - | | | | |
| 6 | 2/5B | - | | | | |

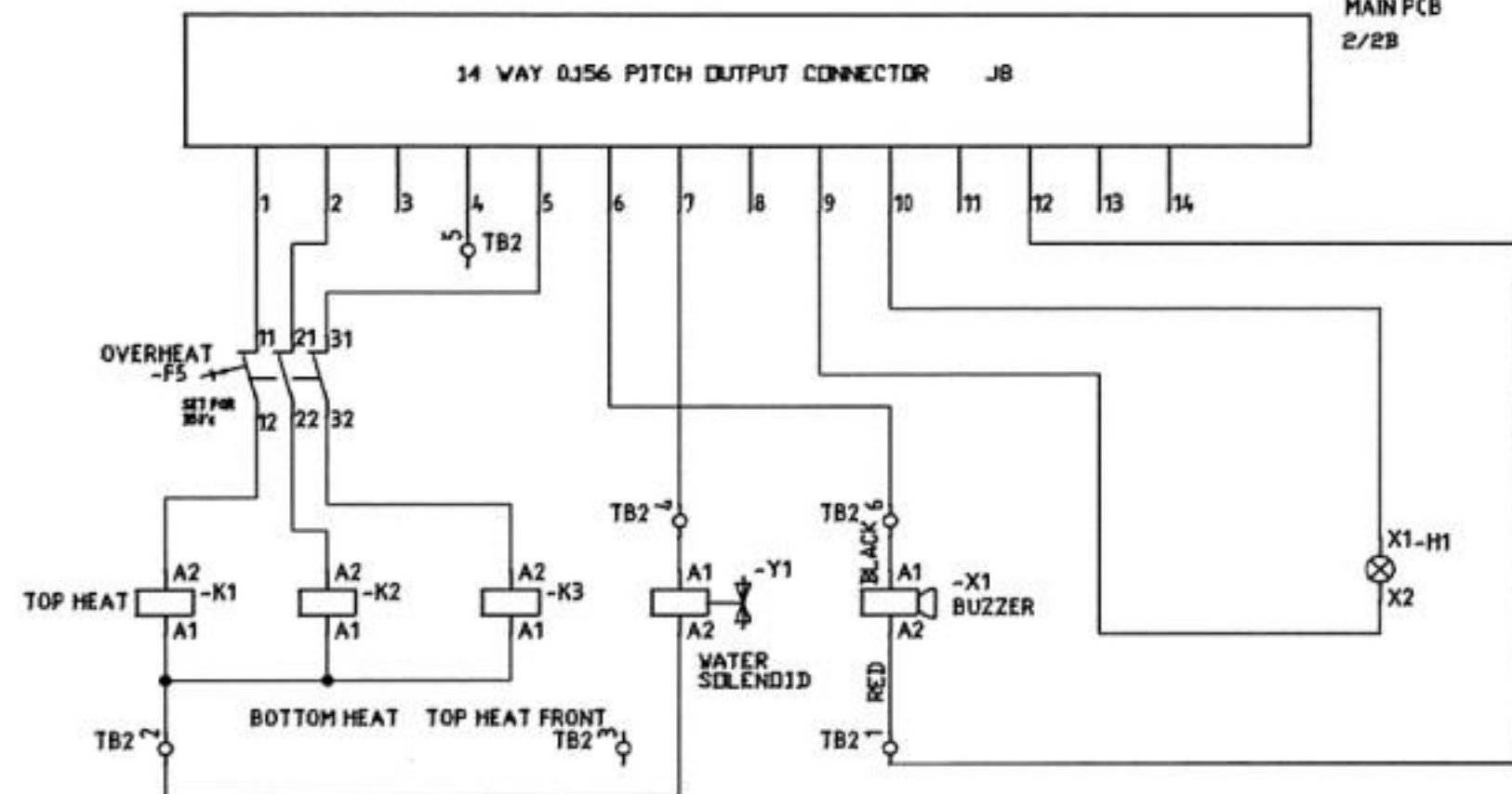
1/22C -/- 1

1/22C -/- 2

1/22C -/- 3

-U1
MAIN PCB
2/2B

14 WAY 0.156 PITCH OUTPUT CONNECTOR J8



- | | | | | | | | | |
|----|----|------|----|----|------|----|----|------|
| 1 | 2 | 1/2B | 1 | 2 | 1/5B | 1 | 2 | 1/1B |
| 3 | 4 | 1/2B | 3 | 4 | 1/5B | 3 | 4 | 1/1B |
| 5 | 6 | 1/2B | 5 | 6 | 1/5B | 5 | 6 | 1/1B |
| 13 | 14 | | 13 | 14 | | 13 | 14 | |

J2
4 WAY SCREW TERMINAL
THERMOCOUPLE INPUT.



-U1
MAIN PCB
2/2B

-B1
OVEN THERMOCOUPLE

REV	SIG	DATE	REVISION	ECN NO.
SVANSEA IND EST. FFIRESTFACH, SVANSEA. SA5 4EB. TEL: (01792) 561234 EQUIPMENT LIMITED: (01792) 561016 Email: 1004325@compuserve.com			TITLE: DXM DECK OVEN LED 220V 3 PHASE 50/60 CONTROL CIRCUIT	
ELECTRICAL SPECIFICATIONS-- LOCATION- = DFS ZONE- = +DFZ PREV.DWG- 1 NEXT.DWG- 3			DRAWN: _____ ELECTRICALLY APPROVED BY: _____ DATE: 30/07/2002 DRAWING NO. _____ SHEET: 2 OF: 5	