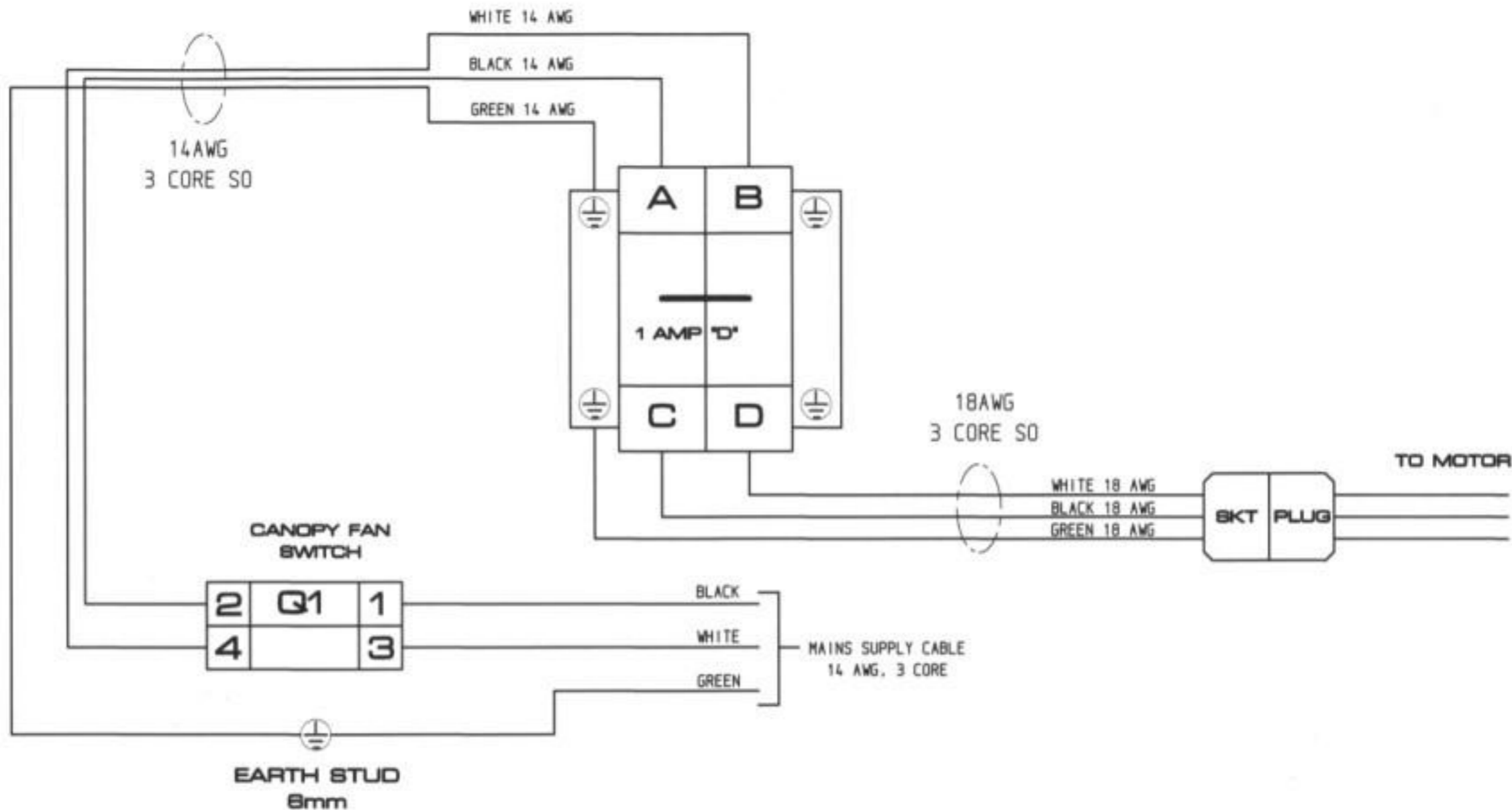
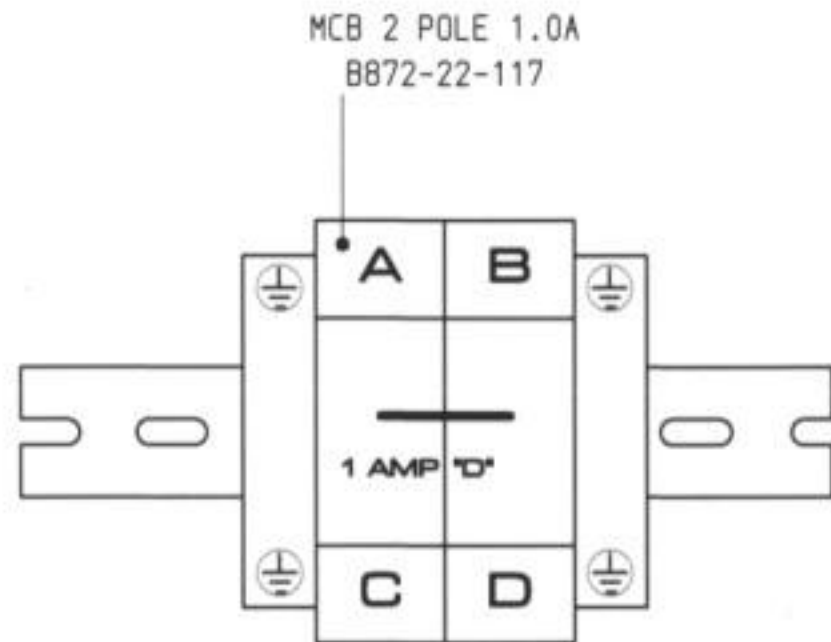


IF IN ANY DOUBT - ASK



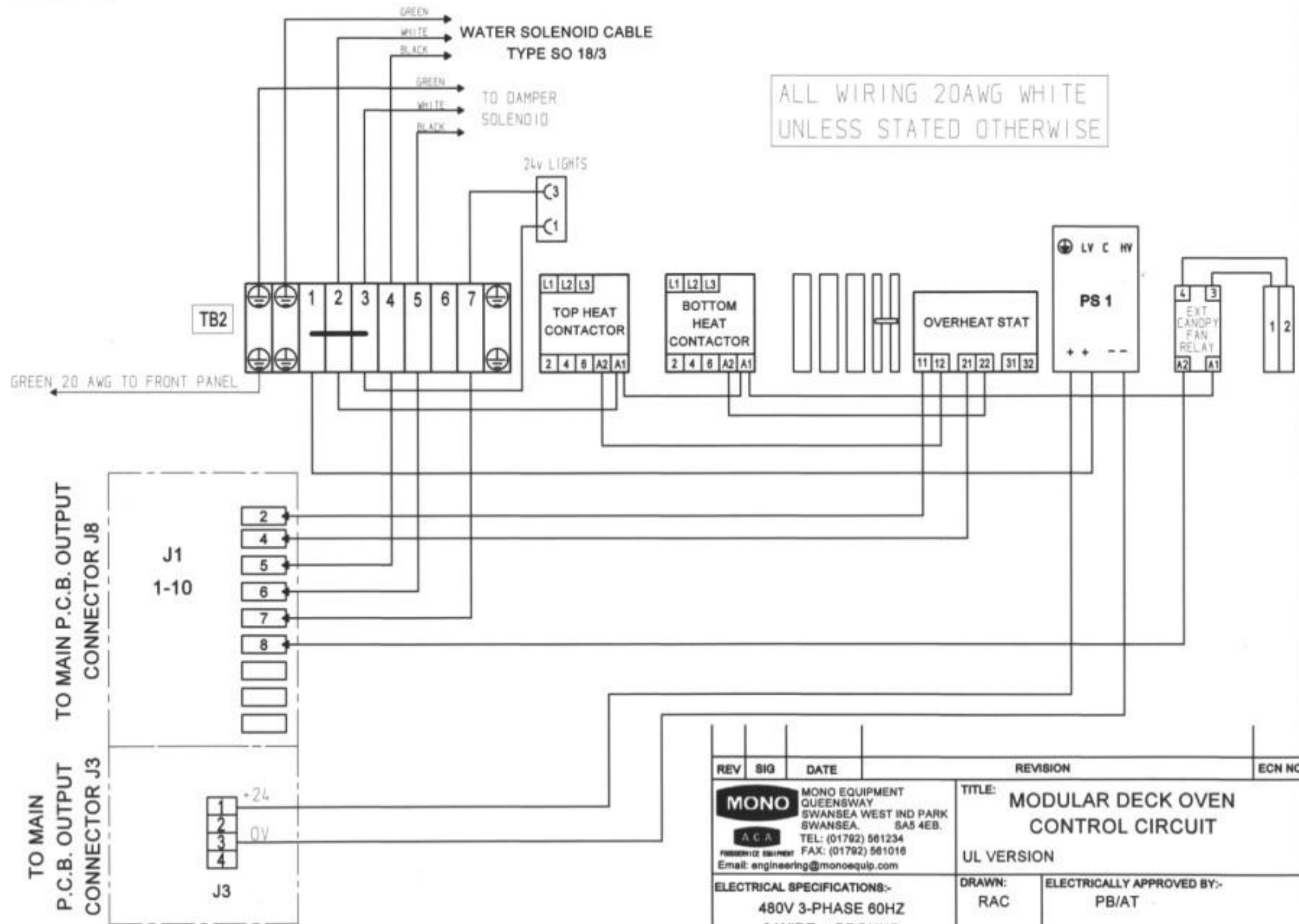
REV	SIG	DATE	REVISION	ECN NO.
		MONO EQUIPMENT QUEENSWAY SWANSEA WEST IND PARK SWANSEA, SA5 4EB. TEL: (01792) 561234 FAX: (01792) 561016 Email: engineering@monoequip.com		TITLE: HARMONY DECK OVEN CANOPY FAN WIRING
ELECTRICAL SPECIFICATIONS:-		DRAWN: RAC	ELECTRICALLY APPROVED BY:- AT	
		DATE: 5-02-07	DRAWING NO. M257E25-50500	REV: ---

X1



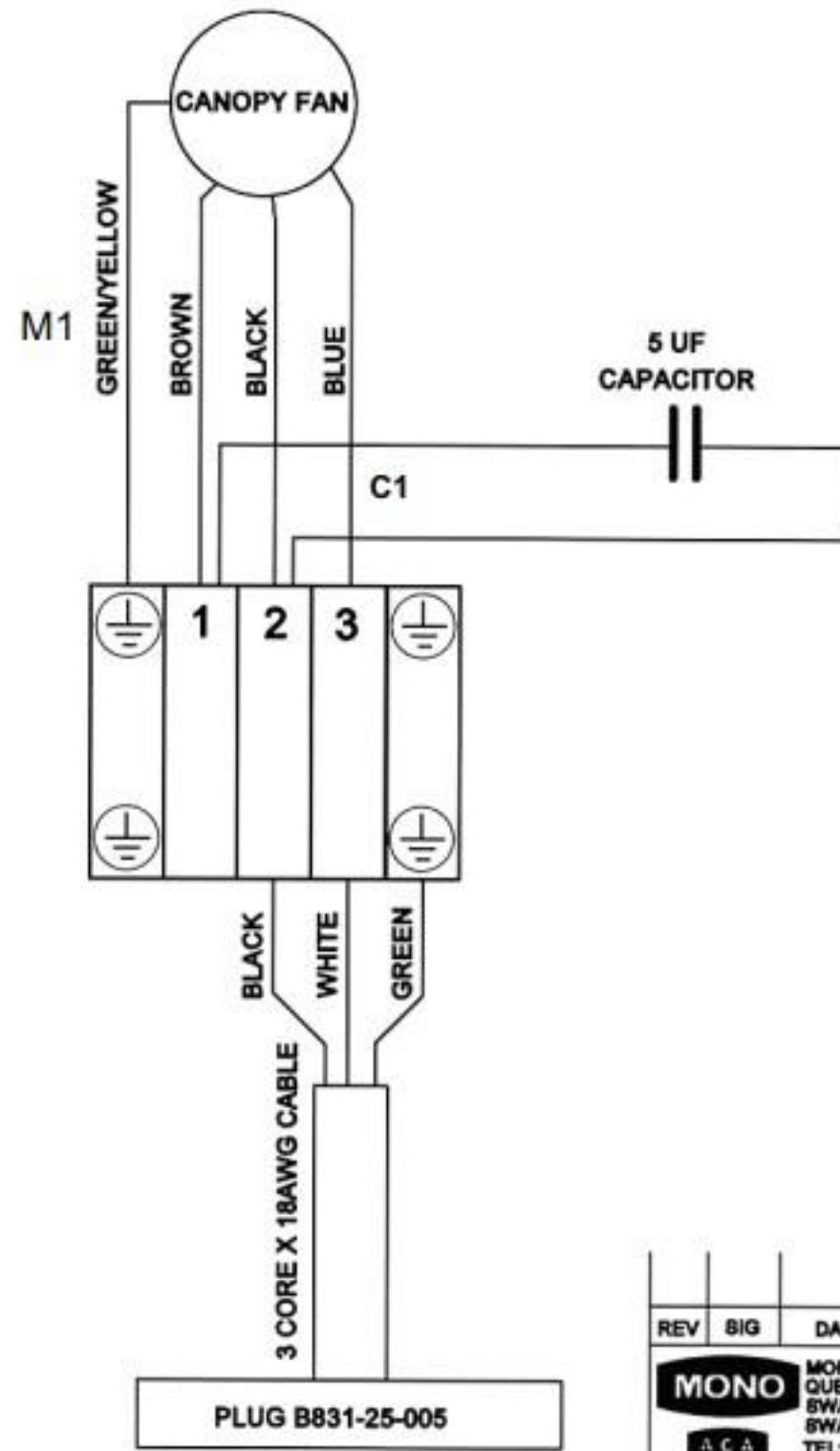
REV	SIG	DATE	REVISION	ECN NO.
 MONO EQUIPMENT QUEENSWAY SWANSEA WEST IND PARK SWANSEA, SA5 4EB. TEL: (01792) 561234 FAX: (01792) 561016 Email: engineering@monoequip.com		TITLE: DXM CANOPY CONTROL PLATE ASSY PARTS UL		
ELECTRICAL SPECIFICATIONS:-		DRAWN: RAC	ELECTRICALLY APPROVED BY:- AT	
COPYRIGHT © 1998 - THIS DESIGN/DRAWING IS THE PROPERTY OF MONO EQUIPMENT LTD. AND MUST NOT BE REPRODUCED, COPIED, NOR ITS CONTENTS DIVULGED WITHOUT PRIOR WRITTEN PERMISSION.		DATE: 5-02-07	DRAWING NO. M257E-25-50800	REV: ---

IF IN ANY DOUBT - ASK



REV	SIG	DATE	REVISION	ECN NO.
<p>MONO EQUIPMENT QUEENSWAY SWANSEA WEST IND PARK SWANSEA, SA5 4EB. TEL: (01792) 561234 FAX: (01792) 561016 Email: engineering@monoequip.com</p>			<p>TITLE: MODULAR DECK OVEN CONTROL CIRCUIT</p> <p>UL VERSION</p>	
<p>ELECTRICAL SPECIFICATIONS:- 480V 3-PHASE 60HZ 3 WIRE + GROUND</p>			<p>DRAWN: RAC</p>	<p>ELECTRICALLY APPROVED BY:- PB/AT</p>
			<p>DATE: 26-4-05</p>	<p>DRAWING NO. M257E25-50900</p>
				<p>REV:</p>

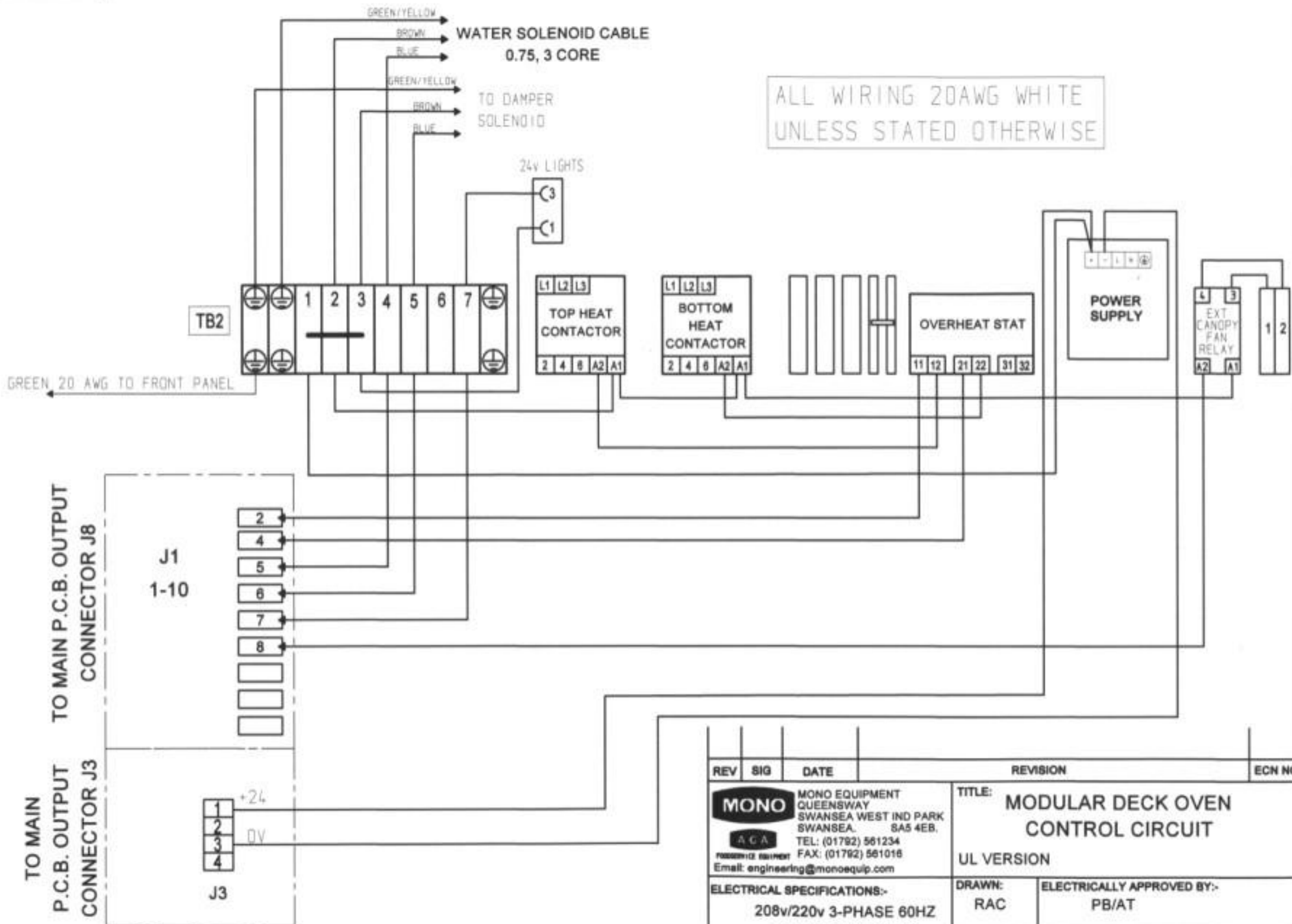
IF IN ANY DOUBT - ASK



FROM CANOPY CONTROL PANEL

REV	SIG	DATE	REVISION	ECN NO.
MONO EQUIPMENT QUEENSWAY SWANSEA WEST IND PARK SWANSEA, SA5 4EB. TEL: (01792) 561234 FAX: (01792) 561016 Email: engineering@monoequip.com			TITLE: MODULAR DECK OVEN CANOPY FAN WIRING UL VERSION	
ELECTRICAL SPECIFICATIONS:-			DRAWN: RAC	ELECTRICALLY APPROVED BY:- PB/AT
			DATE: 28-4-05	DRAWING NO. M247E25-50600
				REV: --

IF IN ANY DOUBT - ASK



ALL WIRING 20AWG WHITE UNLESS STATED OTHERWISE

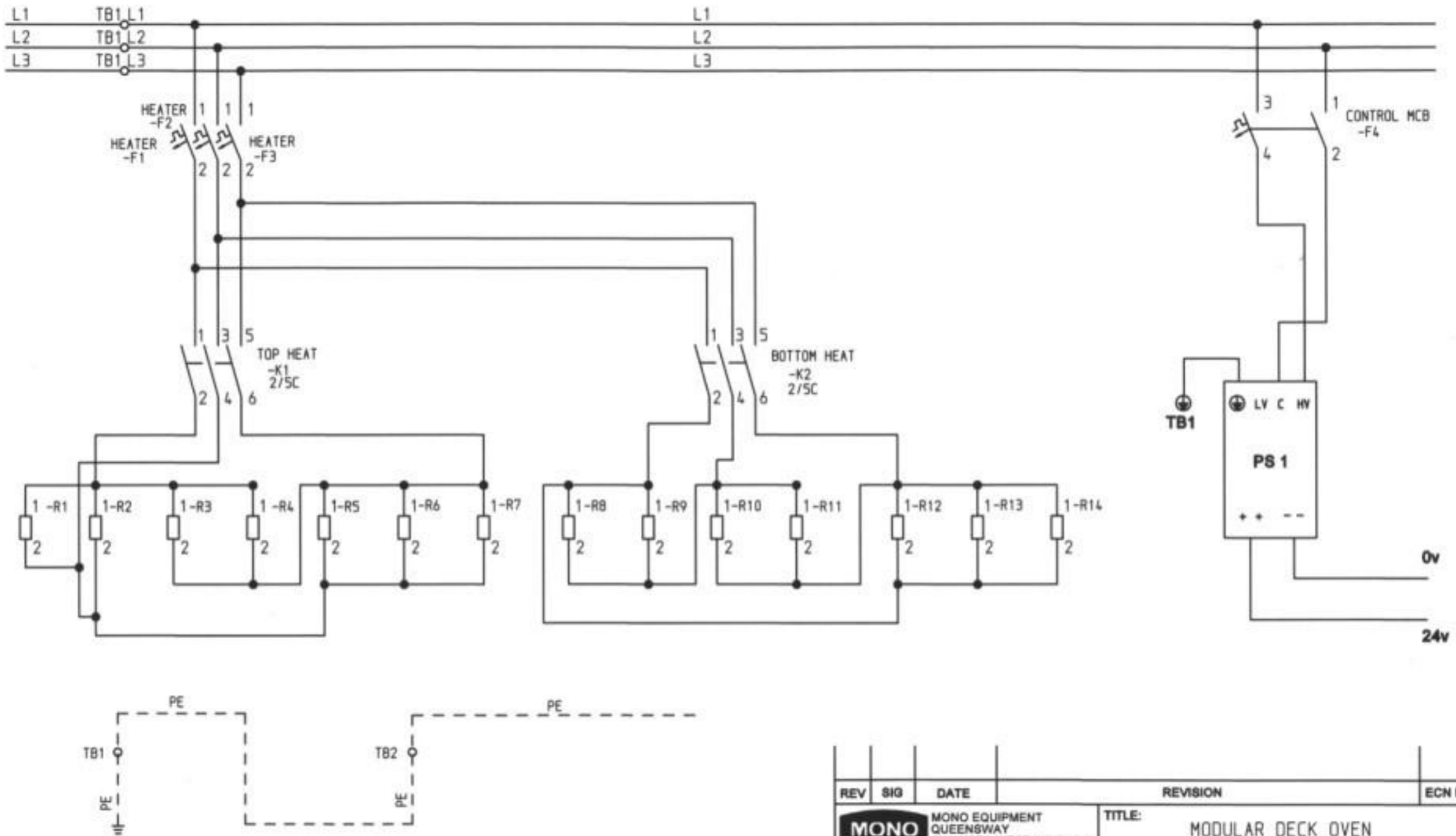
GREEN 20 AWG TO FRONT PANEL

TO MAIN P.C.B. OUTPUT CONNECTOR J3

TO MAIN P.C.B. OUTPUT CONNECTOR J8

REV	SIG	DATE	REVISION	ECN NO.
		MONO EQUIPMENT QUEENSWAY SWANSEA WEST IND PARK SWANSEA SA5 4EB. TEL: (01792) 561234 FAX: (01792) 561016 Email: engineering@monoequip.com		
		TITLE: MODULAR DECK OVEN CONTROL CIRCUIT UL VERSION		
ELECTRICAL SPECIFICATIONS:- 208v/220v 3-PHASE 60HZ 3 WIRE + GROUND		DRAWN: RAC	ELECTRICALLY APPROVED BY:- PB/AT	
		DATE: 9-10-06	DRAWING NO. M257E25-	REV:

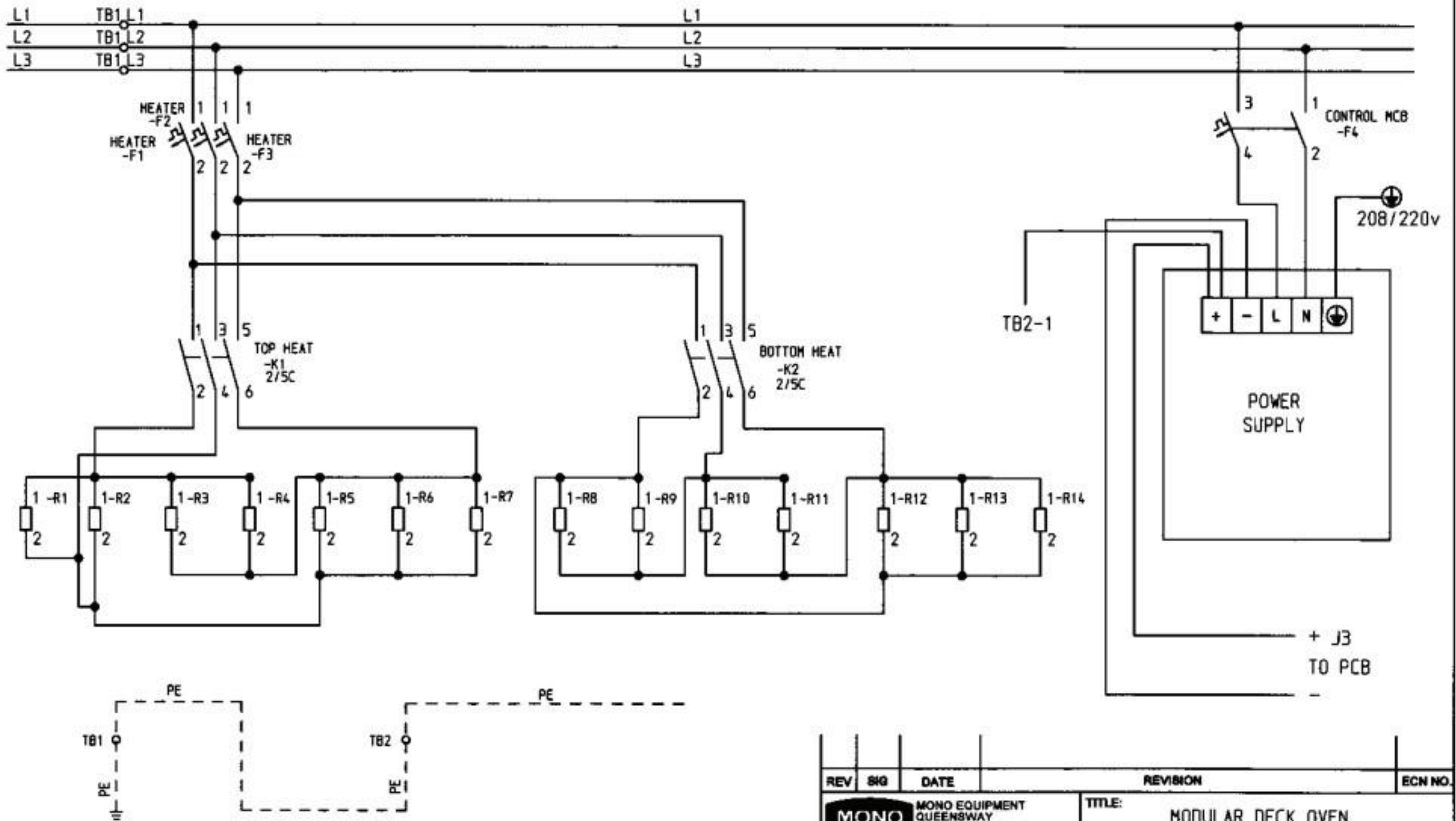
IF IN ANY DOUBT - ASK



REV	SIG	DATE	REVISION	ECN NO.
 MONO EQUIPMENT QUEENSWAY SWANSEA WEST IND PARK SWANSEA, SA5 4EB. TEL: (01792) 561234 FAX: (01792) 561016 Email: engineering@monoequip.com			TITLE: MODULAR DECK OVEN POWER CIRCUIT TOP-BOTTOM HEAT UL VERSION	
ELECTRICAL SPECIFICATIONS:- 480V 3 PHASE 60HZ 3 WIRE + GROUND			DRAWN: RAC	ELECTRICALLY APPROVED BY:- PB/AT
			DATE: 9-10-06	DRAWING NO. M257E25-50800
				REV: —

COPYRIGHT © 1998 - THIS DESIGN/DRAWING IS THE PROPERTY OF MONO EQUIPMENT LTD, AND MUST NOT BE REPRODUCED, COPIED, NOR ITS CONTENTS DIVULGED WITHOUT PRIOR WRITTEN PERMISSION.

IF IN ANY DOUBT - ASK



REV	SIG	DATE	REVISION	ECN NO.
<p>MONO EQUIPMENT QUEENSWAY SWANSEA WEST IND PARK SWANSEA, SA5 4EB. TEL: (01792) 561234 FAX: (01792) 561018 Email: engineering@monoequip.com</p>			<p>TITLE: MODULAR DECK OVEN POWER CIRCUIT TOP-BOTTOM HEAT</p>	
<p>ELECTRICAL SPECIFICATIONS:- 220V 3 PHASE 60HZ 3 WIRE + GROUND</p>			<p>UL VERSION</p>	<p>ELECTRICALLY APPROVED BY:- PB/AT</p>
			<p>DRAWN: RAC</p>	<p>DATE: 12-6-06</p>
			<p>DRAWING NO. M257E25-</p>	<p>REV: -</p>