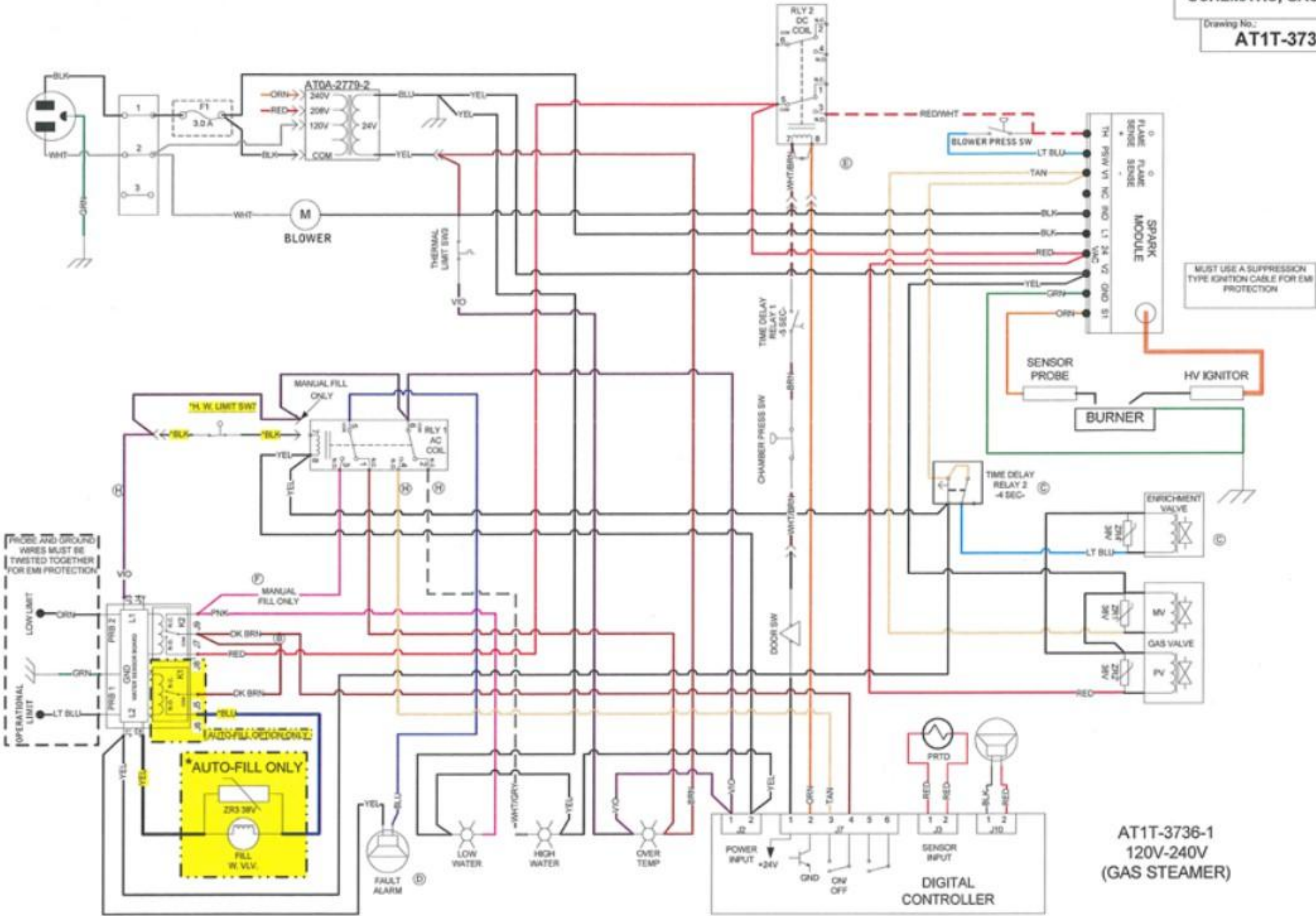


AT1T-3736-1
120V-240V
(GAS STEAMER)

SCHEMATIC, GAS STEAMER

Drawing No.: **AT1T-3736** Rev. **H**



AT1T-3736-1
120V-240V
(GAS STEAMER)