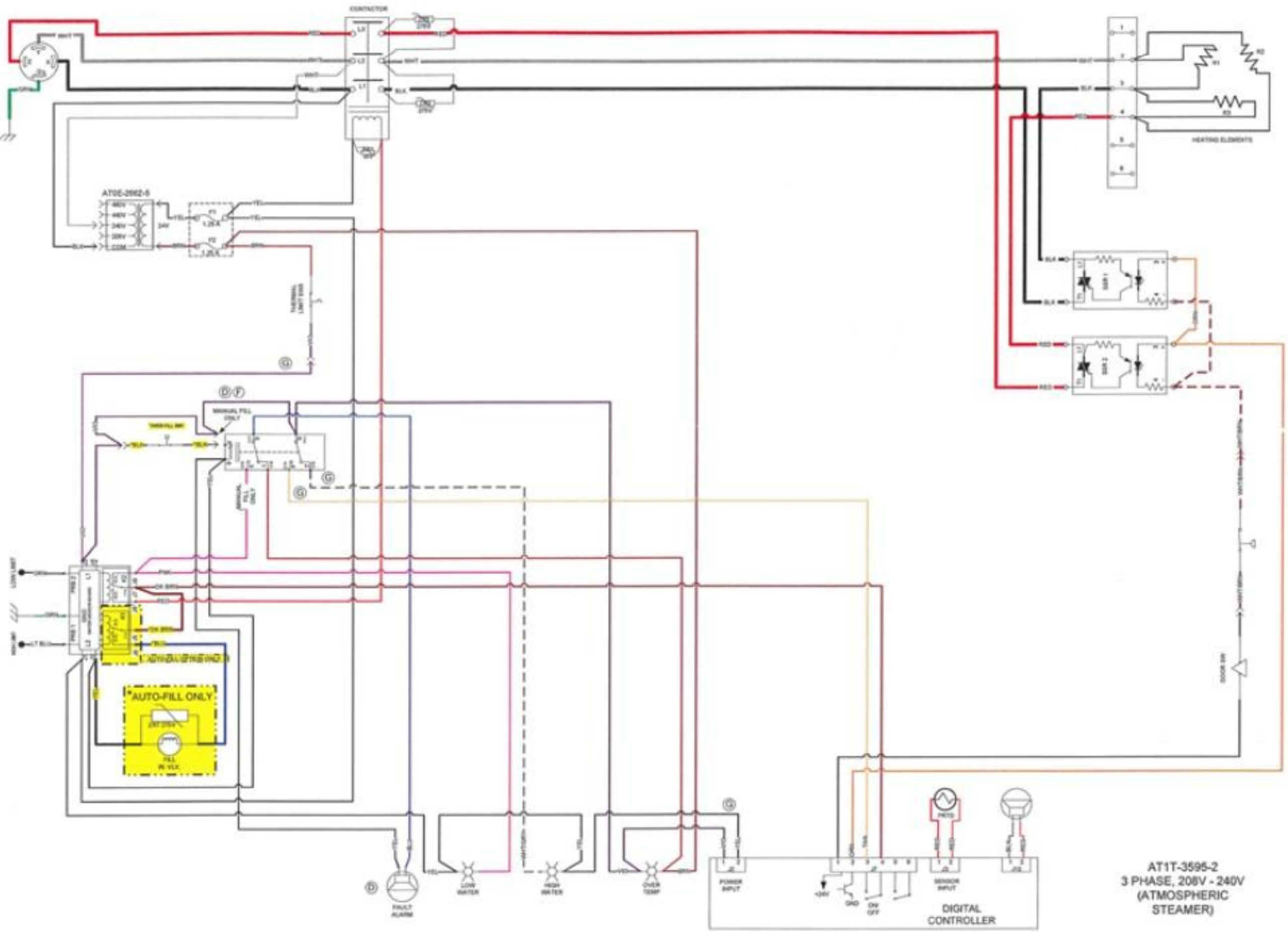
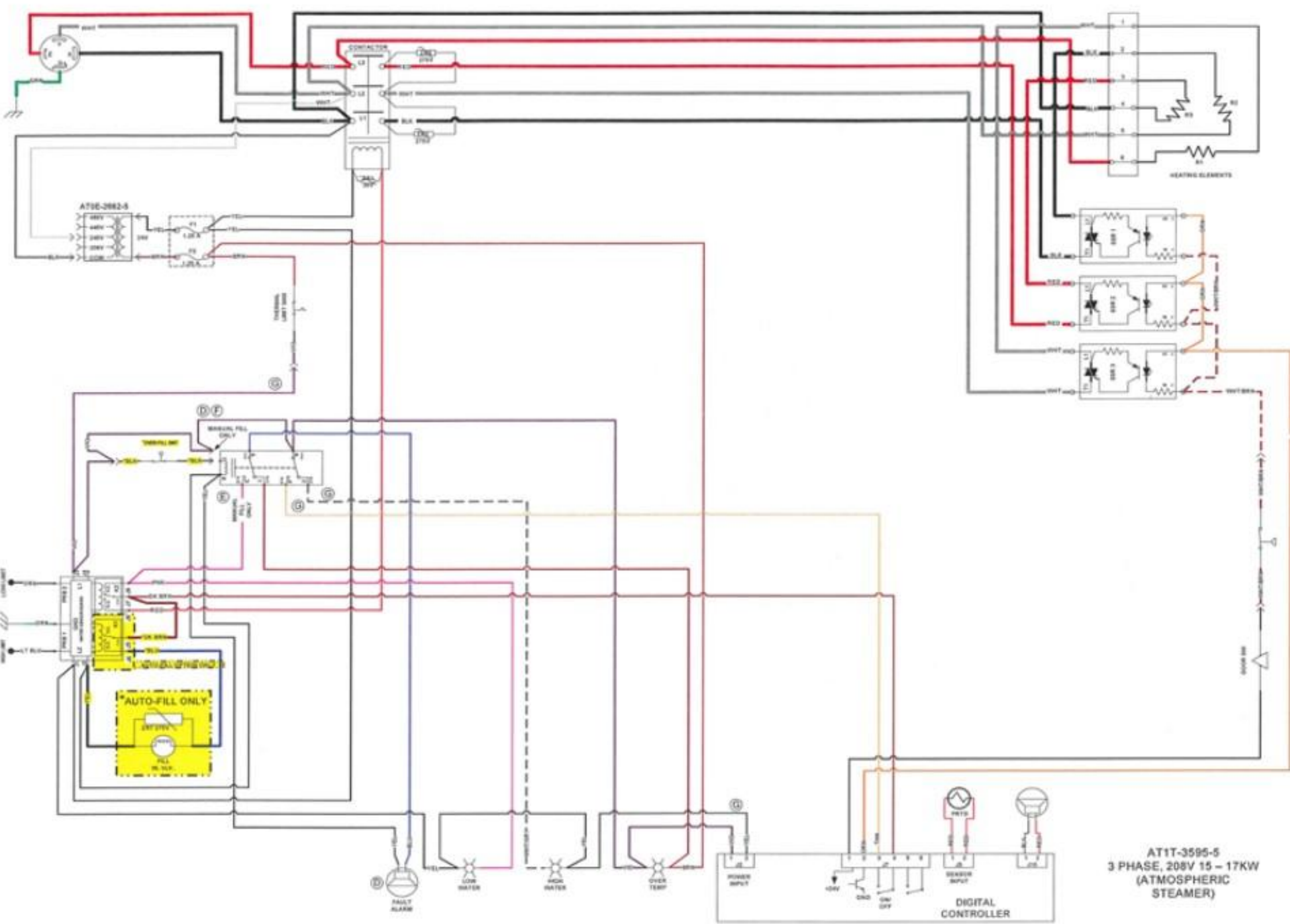


AT1T-3595-1
1 PHASE, 208V - 240V
(ATMOSPHERIC STEAMER)

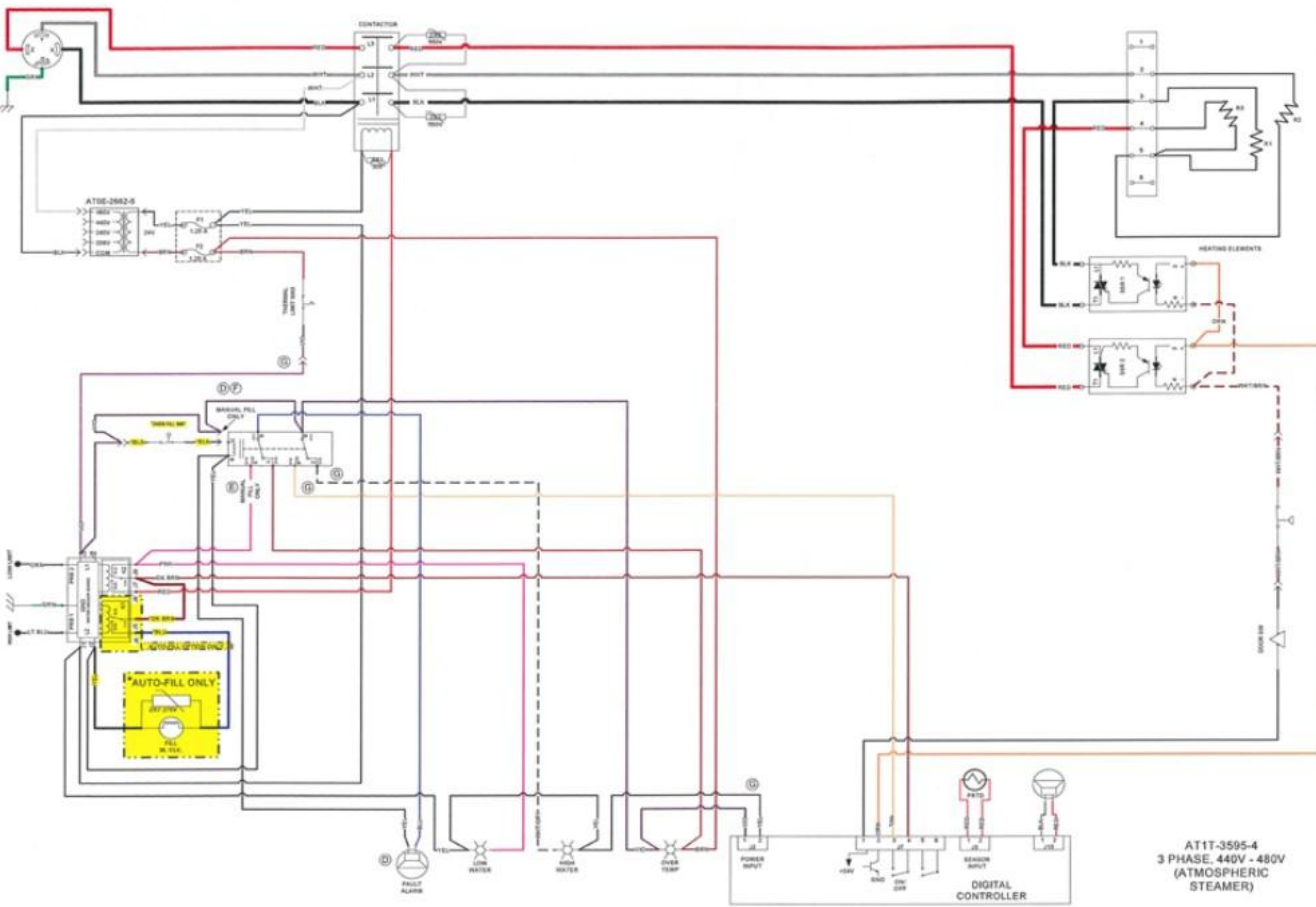
Title: SCHEMATIC, STEAMER, ATMOSPHERIC
 Rev: G
 Drawing No.: AT1T-3595



AT1T-3595-2
 3 PHASE, 208V - 240V
 (ATMOSPHERIC
 STEAMER)



AT1T-3595-5
 3 PHASE, 208V 15 - 17KW
 (ATMOSPHERIC STEAMER)



AT1T-3595-4
3 PHASE, 440V - 480V
(ATMOSPHERIC STEAMER)

Drawing No. **AT1T-3595**
 Rev. **G**
 Title: **SCHEMATIC, STEAMER, ATMOSPHERIC**