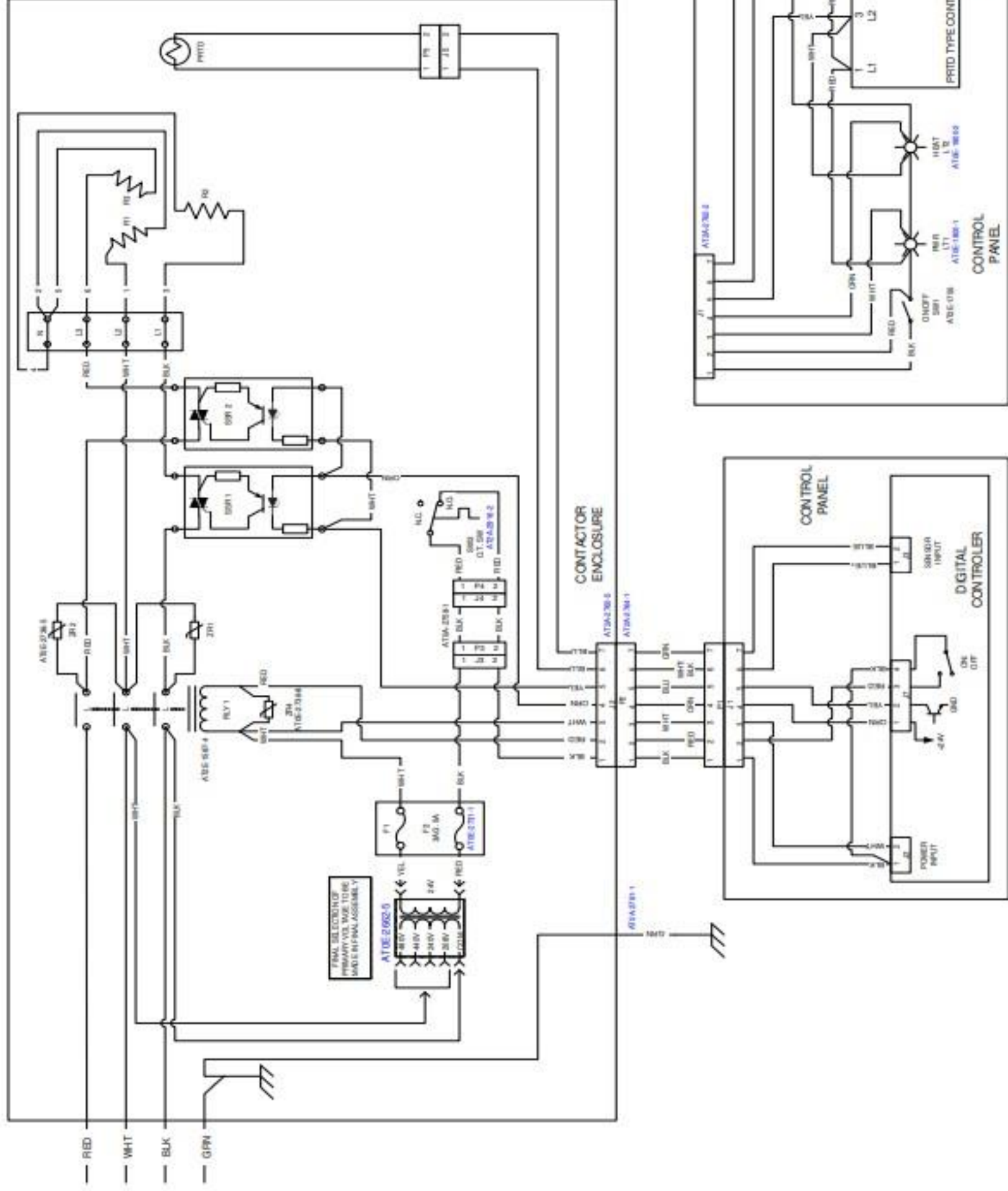
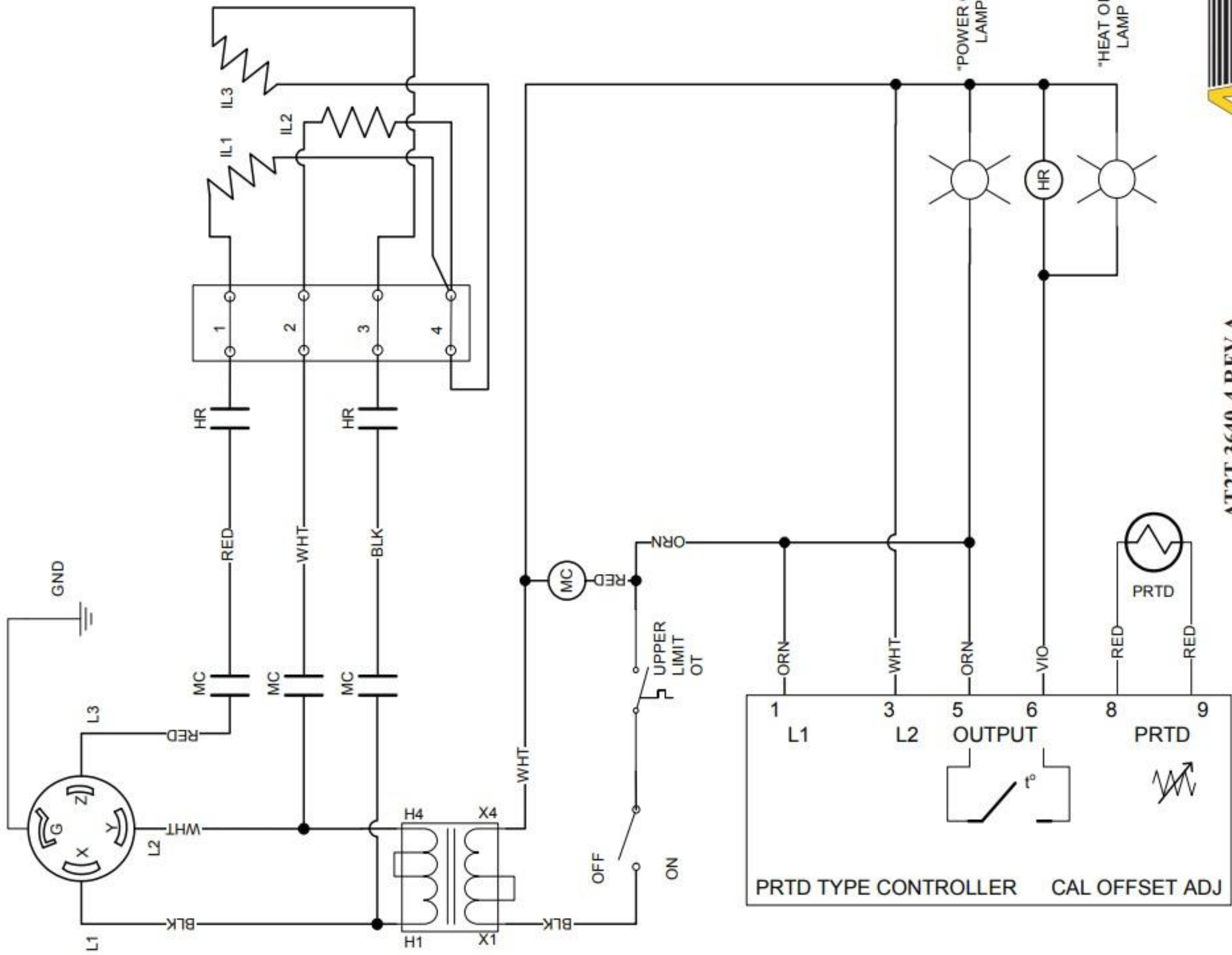


208/240V DELTA SSR HEATER CONFIGURATION DIGITAL CONTROLLER OR THERMOSTAT



AT2T-2713-8
440/480V WYE SSR HEATER CONFIGURATION DIGITAL CONTROLLER OR THERMOSTAT



AT2T-3640-4 REV A

