



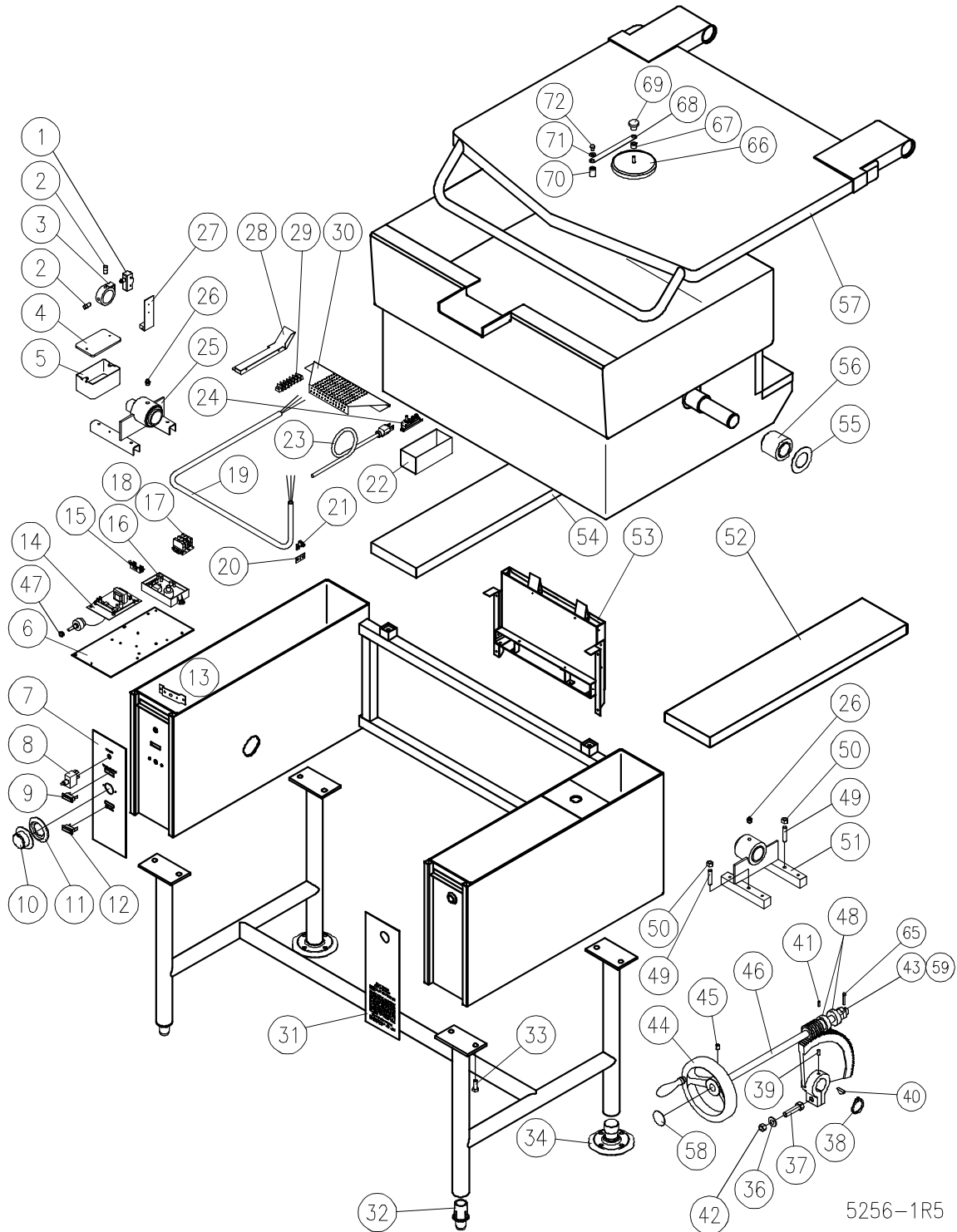
PARTS LIST
GAS TILTING SKILLETS
MODELS: ACGTS-30
ACGTS-40



ACCUTEMP PRODUCTS, INC.
8415 North Clinton Park Dr. · Fort Wayne, IN ·
46825 800 210-5907 Office · 260 493-0415 Fax
www.accutemp.net

PARTS LIST, GAS TILTING SKILLETS, MODELS ACGTS-30, ACGTS-40

FIGURE 1



5256-1R5

PARTS LIST, GAS TILTING SKILLETS, MODELS ACGTS-30, ACGTS-40

<u>ITEM</u>	<u>PART NUMBER</u>	<u>DESCRIPTION</u>	<u>30</u>	<u>40</u>	
1.	4-M605	Microswitch	1	1	
2.	9025-1	Square Head Set Screw, 3/8 - 16 x 1/2"	2	2	
3.	3546-1	Actuator Collar (8-3087)	1	1	
4.	9051-1	Electrical Box Cover	1	1	
5.	9052-1	Electrical Box	1	1	
6.	7766-1	Component Mounting Plate	1	1	
7.	2856-1	Console Decal (9-3283)	1	1	
8.	9110-1	Power Switch	1	1	
9.	4996-2	Pilot Light, Temp. 125V	1	1	
**	10.	4352-1	Dial F °	1	1
		4689-1	Dial C °	1	1
11.	4-TB05	Bezel	1	1	
12.	4996-1	Pilot Light - Ignition, 125V	1	1	
13.	3691-1	Potentiometer Spacer	1	1	
14.	5555-1	Temperature Control Complete With Potentiometer, 120V	1	1	
**	15.	9068-1	Fuse Holder (120, 220V)	1	1
		9068-1	Fuse Holder (208, 240V)	2	2
		9092-3	Fuse 250V, 3 Amp. (120V)	1	1
		9092-1	Fuse 250V, 1 Amp. (220V)	1	1
		9092-1	Fuse 250V, 1 Amp (208, 240V)	2	2
16.	5373-1	Ignition Module	1	1	
*		4851-2	Ignition Module Wire Harness	1	1
17.	4-22TB	Terminal Block Section	3	3	
18.	4-22ES	End Section	1	1	

PARTS LIST, GAS TILTING SKILLETS, MODELS ACGTS-30, ACGTS-40

<u>ITEM</u>	<u>PART NUMBER</u>	<u>DESCRIPTION</u>	<u>30</u>	<u>40</u>
19.	5219-1	Brass Tube C/W Thermocouple, High Limit Lead Wires		1
*	4342-1	Thermocouple Only	1	
	5219-2	Brass Tube C/W Thermocouple, High Limit Lead Wires	1	
*	4342-2	Thermocouple Only		1
20.	4188-1	Earth ID Tag	1	1
21.	4-70EU	Ground Lug	1	1
22.	5203-1	Hi Limit Cover Assembly	1	1
23.	4127-3	Cord Set, 120V, 120" L	1	1
24.	9-3021	Hi Limit Switch (536°F)	1	1
25.	6960-1	Trunnion Housing Assembly	1	1
	M50C-31618-58	Hex Bolt, 3/16 - 18 x 5/8"	4	4
26.	4898-1	Grease Fitting, 1/8" NPT	2	2
27.	3583-1	Limit Switch Bracket	1	1
28.	4758-1	Terminal Block Enclosure	1	1
29.	9-3332	Terminal Block	1	1
30.	7380-1	Pour Lip Strainer	1	1
31.	9-3284	Console Decal	1	1
32.	5-FS64	Adjustable Foot	2	2
33.	1-75C8	Bolt, 3/8 - 16 x 1"	8	8
34.	8-1308	Adjustable Flanged Foot	2	2
35.	5393-1	Segment Gear and Worm Kit (Includes Items 36 to 42)	1	1
36.	1-W4C0	Lock Washer, 1/2"	1	1
37.	2-96C8	Hex Bolt, 1/2 - 13 x 2"	1	1

PARTS LIST, GAS TILTING SKILLETS, MODELS ACGTS-30, ACGTS-40

<u>ITEM</u>	<u>PART NUMBER</u>	<u>DESCRIPTION</u>	<u>30</u>	<u>40</u>	
38.	1-R315	Spring Clip	1	1	
39.	1-52U4	Set Screw, 1/4 - 20 x 1/2"	1	1	
40.	8-2075-1	Key	1	1	
41.	2-T6U5	Tension Pin, 3/16" D x 1-1/4" L	1	1	
42.	1-99C0	Hex Nut, 1/2 - 13	1	1	
43.	2-HN66	Jam Nuts	2	2	
44.	8-2054	Hand Wheel	1	1	
	8-2054-1	Handle	1	1	
45.	1-72U4	Set Screw, 3/8 - 16 x 1/2"	1	1	
46.	6738-1	Tilt Shaft	1	1	
47.	9109-2	Potentiometer Shaft Seal	1	1	
48.	5327-1	Thrust Bearing	2	2	
49.	2-72U6	Set Screw, 3/8 - 16 x 1-1/2"	2	2	
50.	1-79C0	Hex Nut, 3/8 - 16	2	2	
51.	6952-1	Trunnion Housing Assembly	1	1	
	M50C-31618-58	Hex Bolt, 3/16 - 18 x 5/8"	4	4	
**	52.	3450-1	Right Hand Console Cover	1	1
		4902-1	Right Hand Console Cover for Faucet (Optional)	1	1
	53.	6875-1	Flue Assembly	1	
		6874-1	Flue Assembly		1
	54.	4903-1	Left Hand Console Cover	1	1
	55.	3625-1	Washer	2	2
	56.	3462-1	Spacer	2	2
**	57	7381-2	Pan Cover Assembly with Vent	1	
		7382-2	Pan Cover Assembly with Vent		1

PARTS LIST, GAS TILTING SKILLETS, MODELS ACGTS-30, ACGTS-40

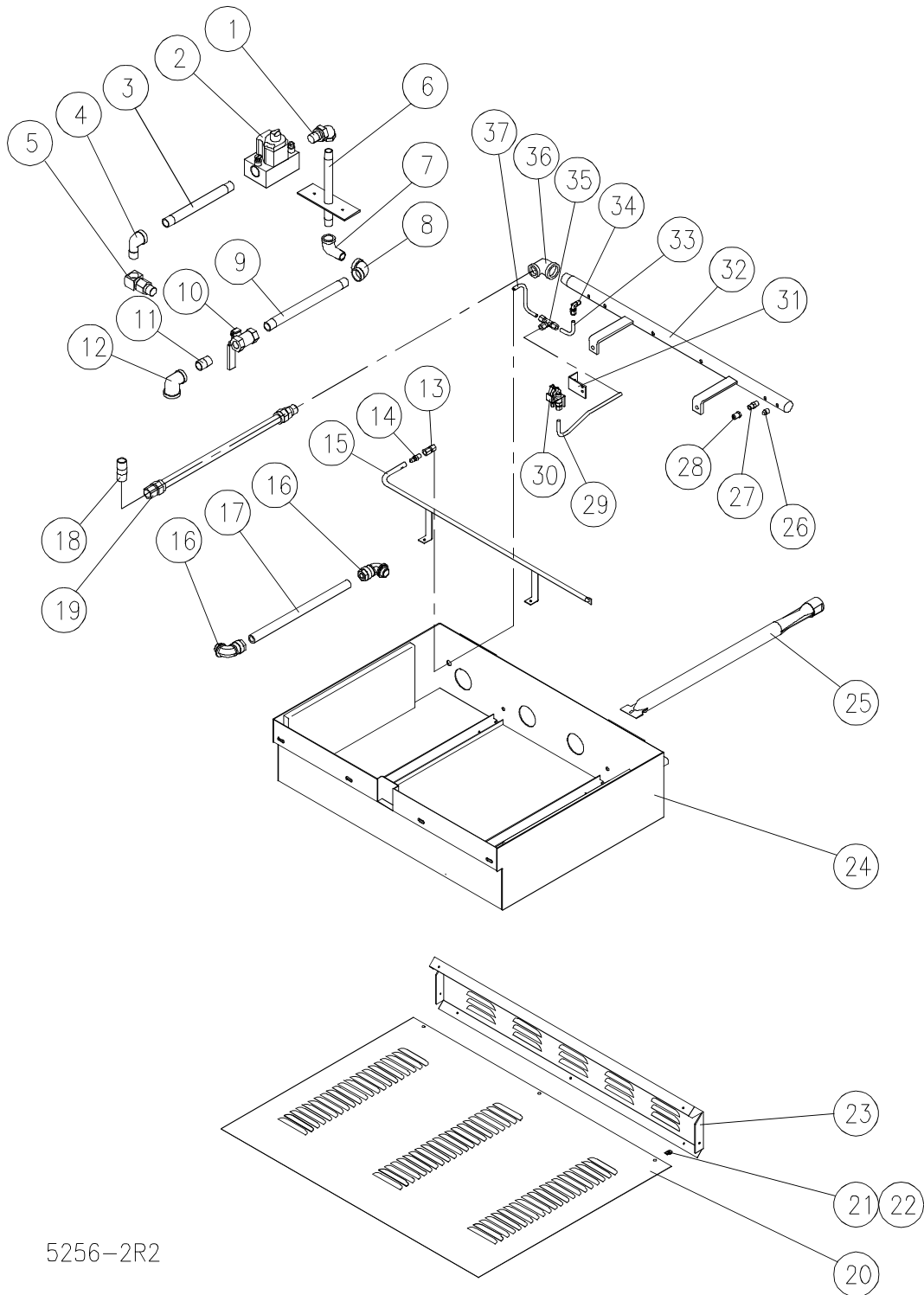
<u>ITEM</u>	<u>PART NUMBER</u>	<u>DESCRIPTION</u>	<u>30</u>	<u>40</u>
	58.	5608-1	Tilt Label	1 1
	59.	5328-1	Washer, 3/4" ID x 1-1/4" OD	1 1
* **	60.	3754-1	Transformer and Fuse Mounting Bracket	1 1
* **	61.	4-T265	Transformer, 220/240 - 120V	1 1
*		4-T259	Transformer, 208/415 - 120V	1 1
* **	62.	4326-1	Double Pantry Faucet - 18" Spout	1 1
* **		4326-2	Double Pantry Faucet - 12" Spout	1 1
* **		4327-1	Single Pantry Faucet - 18" Spout	1 1
* **		4327-2	Single Pantry Faucet - 12" Spout	1 1
* **	63.	4763-1	Caster Complete With Brake	2 2
* **		4763-2	Caster Without Brake	2 2
*	64.	4343-1	Thermocouple, 48"	1 1
	65.	5329-1	Cotter Pin S.S. 3/16" x 1" L.	1 1
	66.	4139-1	Vent Cover	1 1
	67.	4355-1	Swivel Spacer	1 1
	68.	5817-1	Arm	1 1
	69.	9248-1	Knob	1 1
	70.	4354-1	Swivel Base	1 1
	71.	F01S-14	Washer, Stainless Steel, 1/4"	1 1
	72.	1-55S3	Hex Screw, 1/4 - 20 x 3/8" S.S.	1 1

* NOT SHOWN.

** SELECT AS REQUIRED.

PARTS LIST, GAS TILTING SKILLETS, MODELS ACGTS-30, ACGTS-40

FIGURE 2



5256-2R2

PARTS LIST, GAS TILTING SKILLETS, MODELS ACGTS-30, ACGTS-40

FIGURE 2

<u>ITEM</u>	<u>PART NUMBER</u>	<u>DESCRIPTION</u>	<u>30</u>	<u>40</u>
1.	3-U4BE	Union Elbow, 1/2"	1	1
** 2.	5188-1	Combination Gas Control, 1/2", Natural Gas	1	1
	5188-2	Combination Gas Control, 1/2", LP Gas	1	1
3.	9009-142	Nipple, 1/2" x 14-1/4" L.	1	1
4.	9012-3	Street Elbow, 1/2"	1	1
5.	9196-1	Swivel Joint, 1/2"	1	1
6.	3581-1	Gas Inlet Assembly, 1/2"	1	1
7.	9012-3	90° ST. Elbow, 1/2"	1	1
8.	9011-3	90° Elbow, 1/2"	1	1
9.	9009-094	Nipple, 1/2" x 9-1/2" L.	1	1
10.	9-2007	Gas Shut Off Valve, 1/2"	1	1
11.	9009-000	Close Nipple, 1/2"	1	1
12.	9014-1	90° Reducing Elbow, 3/4" x 1/2"	1	1
13.	3-664A	Connector, 1/4 C x 1/8 FPT	1	1
** 14.	9-3335-56	Lighter Tube Orifice, #56, Natural Gas	1	1
	9-3335-72	Lighter Tube Orifice, #72, LP Gas	1	1
15.	2486-1	Lighter Tube Assembly	1	
	2488-1	Lighter Tube Assembly		1
16.	9018-1	Liquid Tite Elbow, 3/8"	2	2
17.	9020-1	Liquid Tite Conduit, 3/8"	1	1
18.	9009-020	Nipple, 1/2" x 2" L.	1	1
19.	9-3331	Gas Flex Hose	1	1
20.	6877-1	Bottom Cover	1	
	6876-1	Bottom Cover		1

PARTS LIST, GAS TILTING SKILLETS, MODELS ACGTS-30, ACGTS-40

<u>ITEM</u>	<u>PART NUMBER</u>	<u>DESCRIPTION</u>	<u>30</u>	<u>40</u>
21.	9000-3	Spring Nut, 8-32	8	10
22.	1-23C2	Screw, 8-32 x 1/4"	8	10
23.	2493-1	Manifold Cover	1	-
	2494-1	Manifold Cover	-	1
24.	7196-1	Burner Box	1	-
	7197-1	Burner Box	-	1
25.	7227-1	Burner	4	6
26.	9035-1	Pipe Plug, 1/8" NPT	1	1
27.	3-122C	Orifice Nipple	4	6
** 28.	9-3351-44	Burner Orifice, Natural Gas	4	
	9-3351-55	Burner Orifice, LP Gas	4	
	9-3351-56	Burner Orifice, LP Gas	-	6
	9-3351-47	Burner Orifice, Natural Gas	-	6
29.	5264-1	Burner Pilot Inlet Tube	1	1
** 30.	5171-1	Pilot Burner Complete With Ignitor (.018), Nat. Gas	1	1
	5171-2	Pilot Burner Complete With Ignitor (.010), LP Gas	1	1
31.	5170-1	Pilot Mounting Bracket	1	1
32.	2491-1	Manifold Assembly	1	-
	2492-1	Manifold Assembly	-	1
33.	5262-1	Manifold Outlet Tube	1	1
34.	3-694A	90° Elbow, 1/4 C x 1/8 MPT	1	1
35.	3-644	Tee, 1/4 C	1	1
36.	9014-1	90° Reducing Elbow, 3/4" x 1/2"	1	1
37.	5263-1	Orifice Inlet Tube	1	1

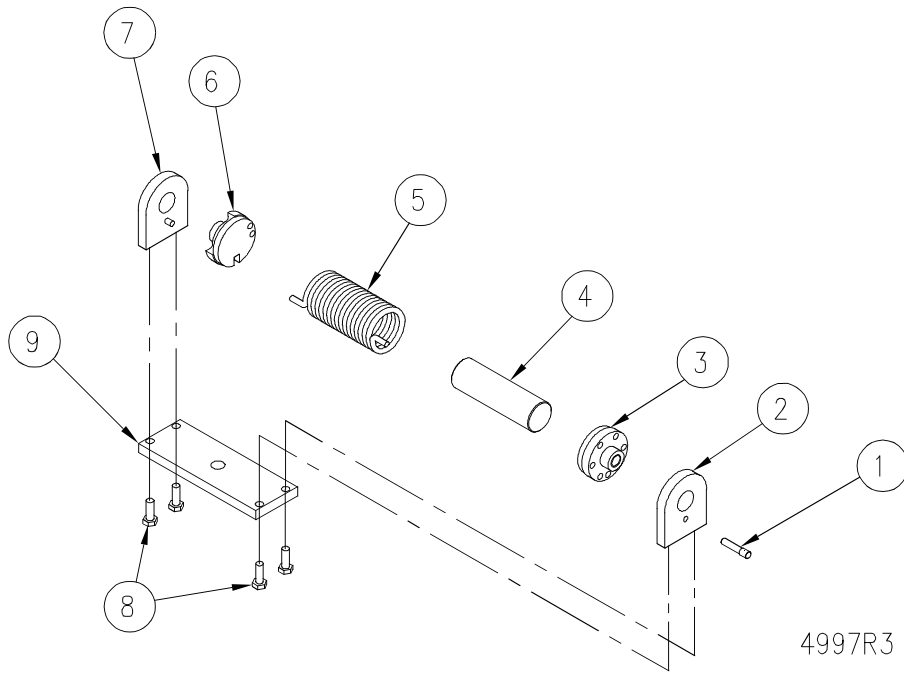
* NOT SHOWN.

** SELECT AS REQUIRED.

PARTS LIST, GAS TILTING SKILLETS, MODELS ACGTS-30, ACGTS-40

HINGE ASSEMBLY

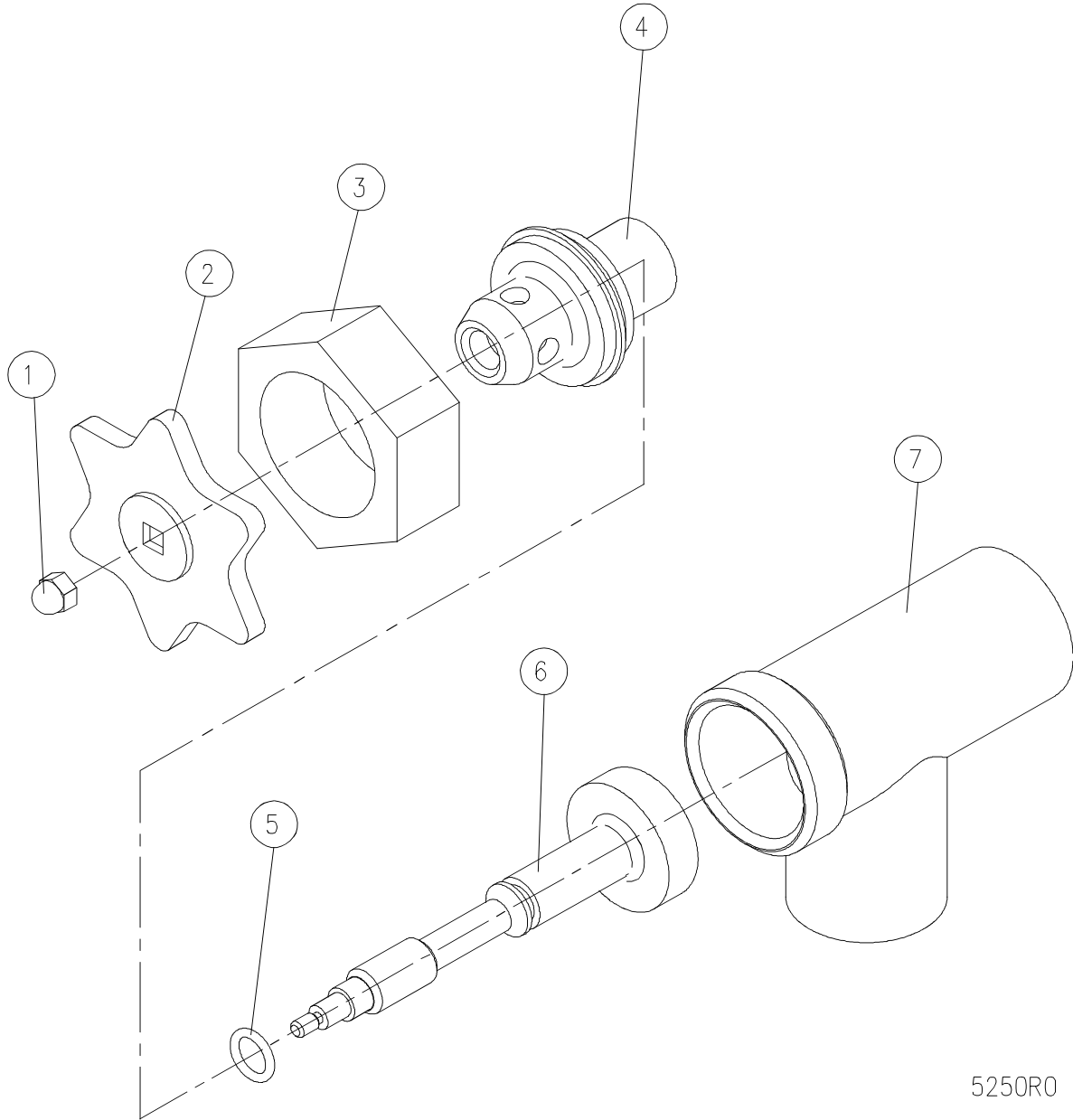
FIGURE 3



<u>ITEM NUMBER</u>	<u>PART NUMBER</u>	<u>DESCRIPTION 24 & 30 GALLON</u>	<u>QUANTITY</u>
	9-3185	LARGE HINGE ASSEMBLY	
1.	8-2029	Lock Pin	1
2.	8-2035L	End Lock Plate	1
3.	5428-1	Stationary Disc	1
4.	5430-1	Core	1
5.	8-2026	Spring	1
6.	5429-1	Rotary Disc	1
7.	8-2021	End Stop Plate	1
8.	1-56S6	Cap Screws, 1/4-20 X 3/4	4
9.	3730-1	Base Plate	1

PARTS LIST, GAS TILTING SKILLETS, MODELS ACGTS-30, ACGTS-40

FIGURE 4



5250R0

PARTS LIST, GAS TILTING SKILLETS, MODELS ACGTS-30, ACGTS-40

FIGURE 4

<u>ITEM</u>	<u>PART NUMBER</u>	<u>DESCRIPTION</u>	<u>QTY.</u>
	3-D015	1-1/2" DRAW-OFF VALVE ASSEMBLY	
1.	9031-3	Acorn Nut 10-24 UNC	1
2.	4115-1	Handle, Stainless Steel	1
3.	3-DV14	Bonnet	1
4.	3-DV13	Gland Nut	1
5.	3-DV16	"O" Ring	1
6.	3-DV15RV	Stem Assembly	1
7.	3-DV17	Valve Body	1

<u>ITEM</u>	<u>PART NUMBER</u>	<u>DESCRIPTION</u>	<u>QTY.</u>
	3-D020	2" DRAW-OFF VALVE ASSEMBLY	
1.	9031-3	Acorn Nut 10-24 UNC	1
2.	4115-1	Handle, Stainless Steel	1
3.	3-DV24	Bonnet	1
4.	3-DV23	Gland Nut	1
5.	3-DV26	"O" Ring	1
6.	3-DV25RV	Stem Assembly	1
7.	3-DV27	Valve Body	1

<u>ITEM</u>	<u>PART NUMBER</u>	<u>DESCRIPTION</u>	<u>QTY.</u>
	3-D030	3" DRAW-OFF VALVE ASSEMBLY	
1.	3-DV31	Acorn Nut, 7/16 - 14 UNC	1
2.	3-DV32	Handle, Stainless Steel	1
3.	3-DV34	Bonnet	1
4.	3-DV33	Gland Nut	1
5.	3-DV36	"O" Ring	1
6.	3-DV35RV	Stem Assembly	1
7.	3-DV37	Valve Body	1