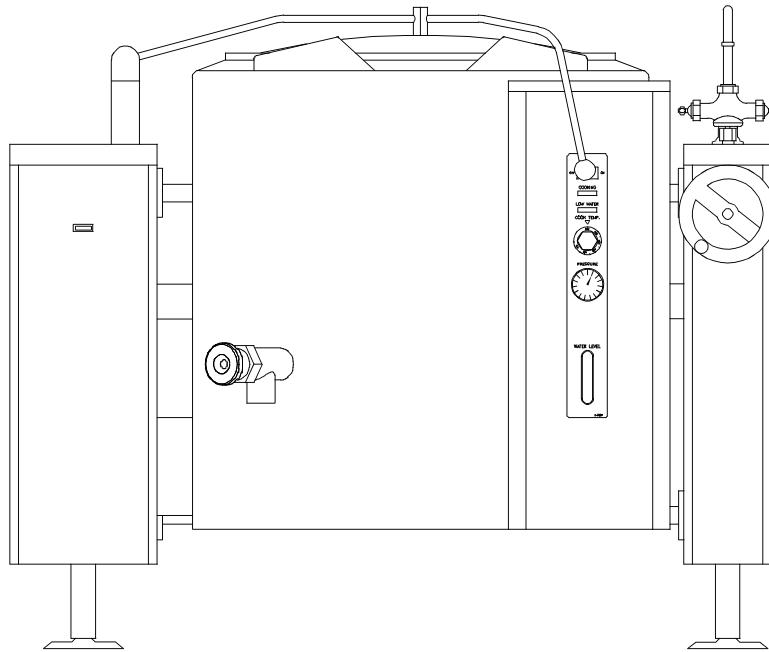




## PARTS LIST GAS TILTING KETTLES

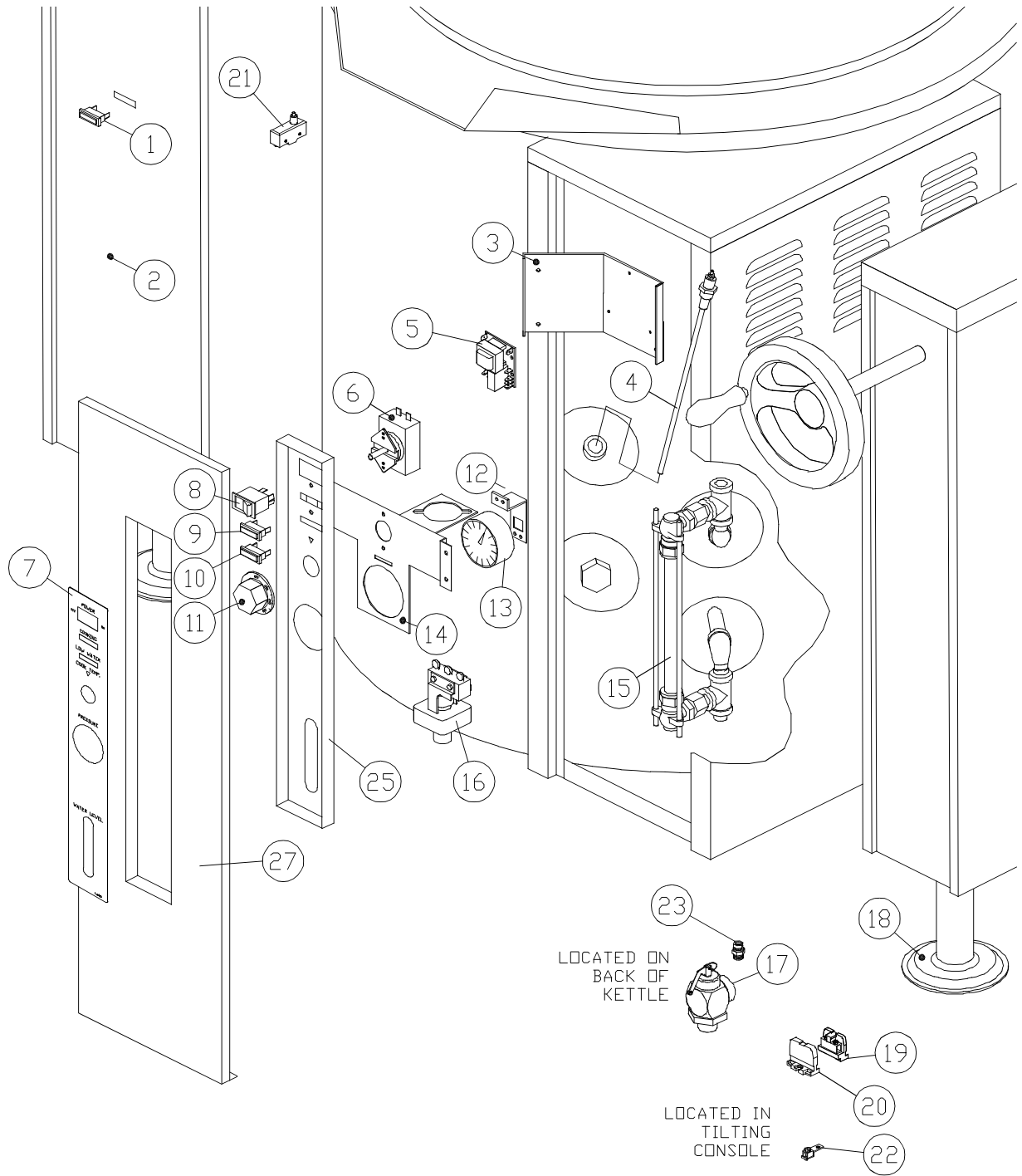
MODELS: ACGLT-20  
ACGLT-30  
ACGLT-40  
ACGLT-60



ACCUTEMP PRODUCTS, INC.  
8415 North Clinton Park Dr. · Fort Wayne, IN · 46825  
800 210-5907 Office · 260 493-0415 Fax ·  
[www.accutemp.net](http://www.accutemp.net)

PARTS LIST, GAS TILTING KETTLES, MODELS AGLT-20, AGLT-30, AGLT-40, AGLT-60

**FIGURE 1**



00080R1

PARTS LIST, GAS TILTING KETTLES, MODELS ACGLT-20, ACGLT-30, ACGLT-40, ACGLT-60

**FIGURE 1**

<b><u>ITEM</u></b>	<b><u>PART NO.</u></b>	<b><u>DESCRIPTION</u></b>	<b><u>QUANTITY</u></b>
1.	4996-6	Pilot Light - Green 24V	1
2.	9-3236	Instruction Label	1
3.	4524-1	Low Water Control Mounting Bracket	1
**	4. 3738-13	Probe, 9 3/4" (20 Gallon)	1
	3738-14	Probe, 9 1/4" (30, 40, 60 Gallon)	1
5.	3974-1	Low Water Cut Off Control	1
6.	116-6562	Thermostat	1
7.	7002-1	Poly Panel	1
8.	9130-2	Power Switch	1
9.	4996-2	Pilot Light - Red	1
10.	4996-3	Pilot Light - Amber	1
11.	4-TK05	Dial	1
12.	9-3240	Pressure Gauge Bracket	1
13.	4967-1	Pressure Gauge	1
**	14. 9-3238	Mounting Bracket (30, 40 Gallon Only)	1
	9-3239	Mounting Bracket (20, 60 Gallon Only)	1
15.	5285-1	Sight Glass Assembly	1
	9108-6	Glass, 5/8" x 8" Long	1
	8-6016	Rods	2
	8-6018	Washer - Rubber	2
	8-6019	Washer - Brass	2
16.	116-6490	Pressure Switch	1
17.	3-SRV9-1	Relief Valve	1
18.	8-1308	Flanged Foot	2
19.	4-22TB	Terminal Block Section	2

PARTS LIST, GAS TILTING KETTLES, MODELS ACGLT-20, ACGLT-30, ACGLT-40, ACGLT-60

**FIGURE 1**

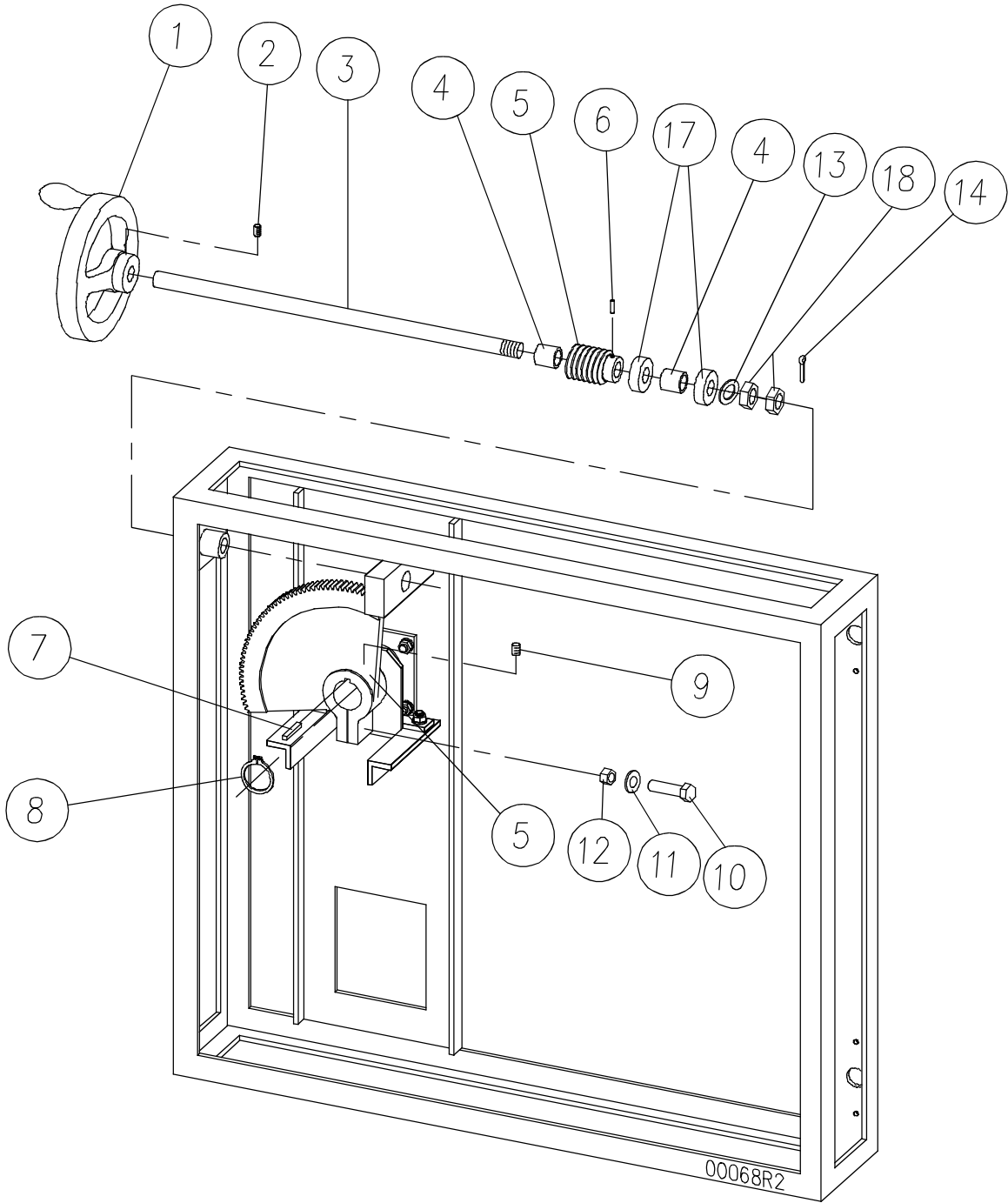
<b><u>ITEM</u></b>	<b><u>PART NO.</u></b>	<b><u>DESCRIPTION</u></b>	<b><u>QUANTITY</u></b>	
20.	4-22ES	End Section	1	
21.	4-M605	Interlock Switch	1	
22.	4-35EU	Ground Lug	1	
23.	3-AV01	Vent	1	
* **	24.	2976-1	Combustion Chamber (20 Gallon)	1
		2976-2	Combustion Chamber (30, 40 Gallon)	1
		2976-3	Combustion Chamber (60 Gallon)	1
	25.	7790-1	Recessed Control Panel	1
* **	26.	3586-1	Bottom Cover (20 Gallon)	1
		3586-2	Bottom Cover (30, 40 Gallon)	1
		3586-3	Bottom Cover (60 Gallon)	1
**	27.	7816-1	Control Panel (20 Gallon)	1
		7816-2	Control Panel (30 Gallon)	1
		7816-3	Control Panel (40 Gallon)	1
		7817-1	Control Panel (60 Gallon)	1

\* NOT SHOWN.

\*\* SELECT AS REQUIRED.

**ACGLT-20, TILTING MECHANISM**

**FIGURE 2**



PARTS LIST, GAS TILTING KETTLES, MODELS ACGLT-20, ACGLT-30, ACGLT-40, ACGLT-60

**ACGLT - 20, TILTING MECHANISM**

**FIGURE 2**

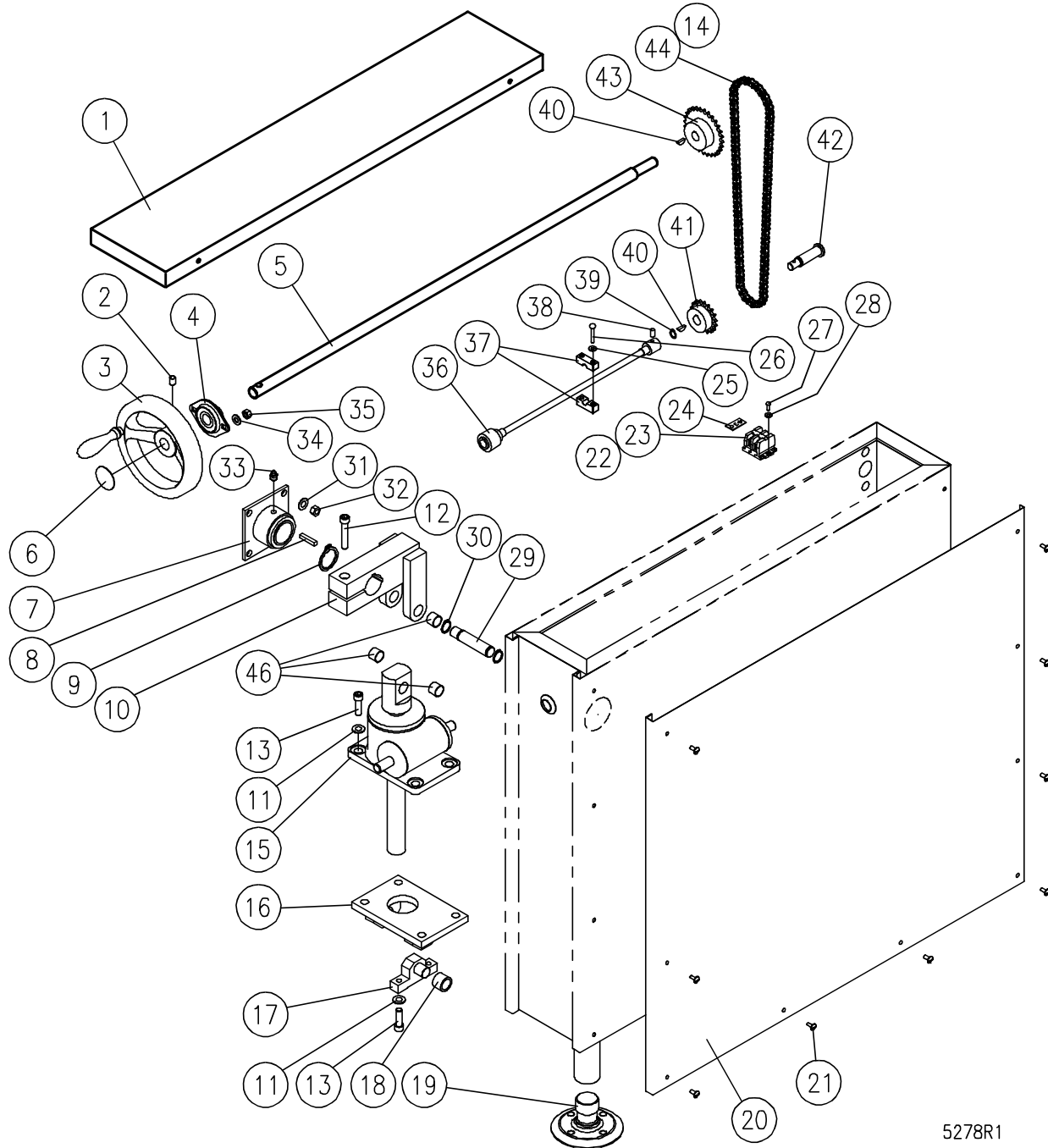
<b><u>ITEM</u></b>	<b><u>PART NO.</u></b>	<b><u>DESCRIPTION</u></b>	<b><u>QUANTITY</u></b>
1.	8-2054	Handwheel	1
2.	1-72U4	Set Screw	1
3.	6738-1	Tilt Shaft	1
4.	3466-1	Bushing	2
5.	5393-1	Segment Gear and Worm Gear Kit (Includes Items 6 - 12)	1
6.	2-T6U5	Tension Pin, 3/16" D x 1-1/4" L	1
7.	8-2075-1	Key	1
8.	1-R315	Retaining Ring	1
9.	1-52U4	Set Screw	2
10.	2-96C8	Bolt	1
11.	1-W4C0	Washer, Flat, 1/2"	1
12.	1-99C0	Nut, 1/2-13UNC	1
13.	5328-1	Washer 3/4 ID x 1 - 1/4 OD	1
14.	5329-1	Cotter Pin S.S. 3/16 x 1	1
* 15.	4127-3	Cord Set, 120V	1
* 16.	9-3374	Decal - Tilt	1
17.	5327-1	Thrust Bearing	2
18.	2-HN66	Jam Nut	2
* 19.	2944-1	Console Cover	1
* 20.	4015-1	Console Cover Assembly (Faucet Mount), Optional	1
* 21.	3864-1	Spacer (Faucet Mount)	1

\* NOT SHOWN.

PARTS LIST, GAS TILTING KETTLES, MODELS ACGLT-20, ACGLT-30, ACGLT-40, ACGLT-60

**ACGLT 30, 40, 60, TILT CONSOLE AND PARTS**

**FIGURE 3**



5278R1

PARTS LIST, GAS TILTING KETTLES, MODELS ACGLT-20, ACGLT-30, ACGLT-40, ACGLT-60

**FIGURE 3**

<b><u>ITEM</u></b>	<b><u>PART NO.</u></b>	<b><u>DESCRIPTION</u></b>	<b><u>QUANTITY</u></b>
** 1.	6704-1	Console Cover	1
*	4015-2	Console Cover Assembly (Faucet Mount), OPTIONAL.	1
*	3864-1	Spacer (Faucet Mount), OPTIONAL.	1
2.	1-72U4	Set Screw	1
3.	8-2054	Handwheel	1
4.	5311-1	Front Bearing	1
5.	6722-1	Tilt Shaft	1
6.	9-3374	Tilt Label	1
7.	2460-1	Trunnion Housing Assembly	1
8.	8-2075-1	Key	1
9.	1-R315	Retaining Ring	1
10.	1348-1	Arm	1
11	F01C-38	Flat Washer 3/8	As Required
12.	M08C-3816-218	Hex Socket Cap Screw, 3/8 - 16 x 2 - 1/8	1
13.	M08C-3816-114	Hex Socket Cap Screw, 3/8 - 16 x 1 - 1/4	8
14.	5315-2	Chain Link	1
15.	7842-1	Screw Jack	1
16.	7841-1	Base Assembly	1
17.	6719-1	Base Bracket Assembly	1
18.	5310-1	Bearing	2
19.	8-1308	Adjustable Foot	2
20.	0680-2	Side Panel	1
21.	1-34S4	Truss HD Slot Screw, 10 - 32 x 1/2	10

PARTS LIST, GAS TILTING KETTLES, MODELS ACGLT-20, ACGLT-30, ACGLT-40, ACGLT-60

**FIGURE 3**

<b><u>ITEM</u></b>	<b><u>PART NO.</u></b>	<b><u>DESCRIPTION</u></b>	<b><u>QUANTITY</u></b>
22.	4-22TB	Terminal Block Section	2
23.	4-22ES	End Section	1
24.	4188-1	Earth ID Tag	1
25.	F01C-10	Flat Washer #10	2
26.	2-34C5	Truss HD Phillips Drive, 10 - 32 x 1-1/4	2
27.	1-21C2	RD HD Slot Drive Screws, 8 - 32 x 1/4	3
28.	E01C8	External Tooth Washer # 8	3
29.	5761-1	Pin, Rod End of Screw Jack	1
30.	9174-18	Retaining Ring, External, 18 mm	2
31.	S01C38	Lock Washer, 3/8	As Required
32.	1-79C0	Hex Nut, 3/8 - 16	7
33.	4898-1	Grease Nipple, 1/8 NPT	1
34.	F01C-516	Flat Washer, 5/16	2
35.	1-69C0	Hex Nut, 5/16 - 18	2
36.	6727-1	Flexible Shaft Assembly	1
37.	5316-1	Nylon Shaft Guide	2
38.	S58N1428-38	Set Screw, 1/4 - 28 x 3/8	1
39.	1-R362Z	External Retaining Ring	1
40.	5312-1	Key	2
41.	5313-2	Sprocket	1
42.	5306-1	Output Shaft	1
43.	5313-1	Sprocket	1
44.	5315-1	Chain	1
* 45.	4327-1	Single Faucet, 18", OPTIONAL	1

PARTS LIST, GAS TILTING KETTLES, MODELS ACGLT-20, ACGLT-30, ACGLT-40, ACGLT-60

**FIGURE 3**

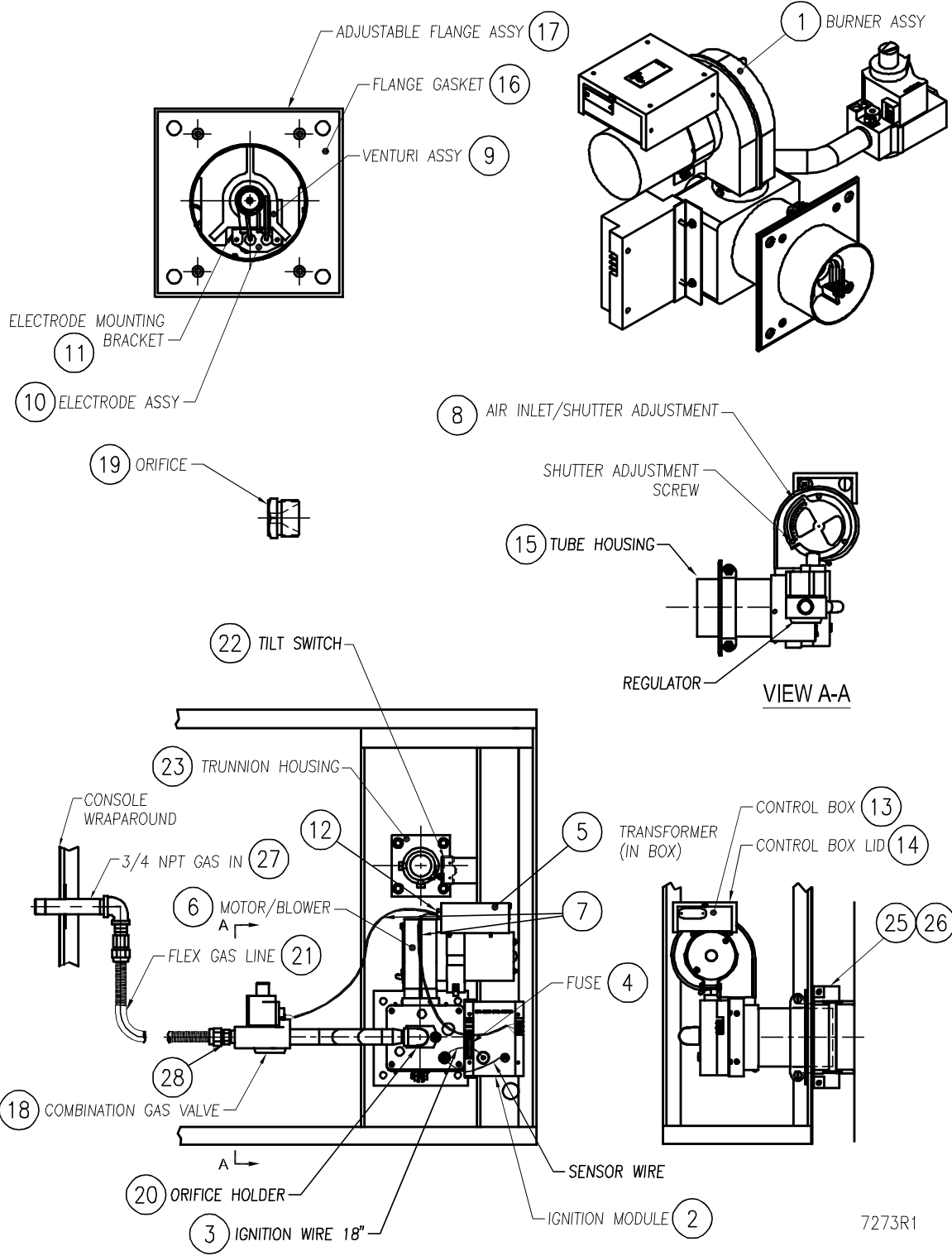
<b><u>ITEM</u></b>	<b><u>PART NO.</u></b>	<b><u>DESCRIPTION</u></b>	<b><u>QUANTITY</u></b>
	4326-1	Double Faucet, 18", OPTIONAL	1
46.	9209-1815	Bushing, DU, 18d x 20D x 15L	4

\* NOT SHOWN.

\*\* SELECT AS REQUIRED.

PARTS LIST, GAS TILTING KETTLES, MODELS ACGLT-20, ACGLT-30, ACGLT-40, ACGLT-60

**FIGURE 4**



7273R1

PARTS LIST, GAS TILTING KETTLES, MODELS ACGLT-20, ACGLT-30, ACGLT-40, ACGLT-60

**FIGURE 4**

<u>ITEM</u>	<u>PART NO.</u>	<u>DESCRIPTION</u>	<u>20</u>	<u>30</u> <u>40</u>	<u>60</u>	
**	1.	9134-19	Complete Burner Assembly, Natural Gas	1		
		9134-30	Complete Burner Assembly, LP Gas	1		
		9134-13	Complete Burner Assembly, Natural Gas		1	
		9134-27	Complete Burner Assembly, LP Gas		1	
		9134-7	Complete Burner Assembly, Natural Gas			1
		9134-23	Complete Burner Assembly, LP Gas			1
	2.	3876-1	DSI Module	1	1	1
	3.	9141-1	Ignition Wire, 18"	1	1	1
	4.	9092-3	Fuse, 250V, 3 Amp.	1	1	1
	5.	3878-1	Transformer, 120/24V, 50/60, 30 VA	1	1	1
	6.	9137-1	Motor/Blower, 115V/50/60 Hz	1	1	1
	7.	9164-1	Control/Ignition Module Wire Harness	1	1	1
	8.	9140-1	Air Shutter Assembly	1	1	1
	9.	9150-1	Venturi Assembly	1	1	1
	10.	9138-1	Electrode Assembly	1	1	1
	11.	9151-1	Electrode Mounting Bracket	1	1	1
	12.	9153-1	Adaptor Bushing, 7/8"	1	1	1
	13.	9154-1	Control Box with Strap	1	1	1
	14.	9155-1	Control Box Lid	1	1	1
	15.	9156-1	Tube/Housing, 6"	1	1	1
	16.	9157-1	Flange Gasket, 6-1/2" Square	1	1	1
	17.	9139-1	Adjustable Flange Assembly, 6-1/2" Square	1	1	1
	18.	5449-2	Gas Valve (Natural/L.P.), 3/4" x 3/4"	1	1	1
**	19.	9136-19	Orifice #19, Natural Gas	1		
		9136-30	Orifice #30, L.P. Gas	1		

PARTS LIST, GAS TILTING KETTLES, MODELS ACGLT-20, ACGLT-30, ACGLT-40, ACGLT-60

**FIGURE 4**

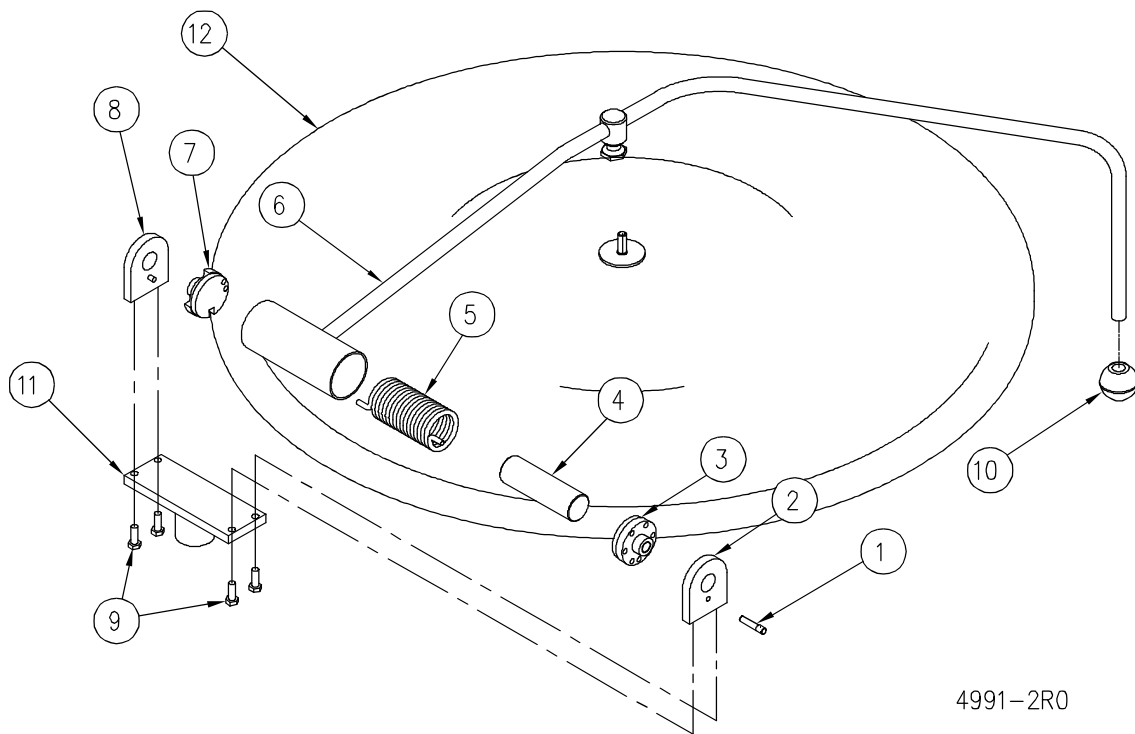
<u>ITEM</u>	<u>PART NO.</u>	<u>DESCRIPTION</u>	<u>20</u>	<u>30</u> <u>40</u>	<u>60</u>
**	19.	9136-13	Orifice #13, Natural Gas	1	
		9136-27	Orifice #27, L.P. Gas	1	
		9136-7	Orifice #7, Natural Gas		1
		9136-23	Orifice #23, L.P. Gas		1
	20.	9149-1	Orifice Holder	1	1
	21.	9026-18	Gas Flex Tube	1	1
	22.	4-M605	Interlock Switch	1	1
	23.	2460-1	Trunnion Housing Assembly	1	1
* **	24.	2945-1	Console Cover, Kettles without Covers	1	1
		2945-2	Console Cover, Kettles with Covers	1	1
	25.	2443-1	Console Nozzle Assembly	1	1
	26.	2458-1	Nozzle Cover	1	1
	27.	6729-1	Gas Supply Pipe Assembly	1	1
	28.	9201-1	Reducer Bushing, 1/2 x 3/4	1	1
*	29.	4-T253	Transformer , 220-240/120V, 200VA 50/60 Hz, (Units rated 220-240V only)	1	1
* **	30.	9002-1	Fuse Holder (220-240V, 50 Hz Units)	1	1
		9002-1	Fuse Holder (240V, 60 Hz Units)	2	2
* **	31.	9001-7	Fuse, 2A, 600V (220-240V, 50 Hz Units)	1	1
		9001-7	Fuse, 2A, 600V (240V, 60 Hz Units)	2	2

\* NOT SHOWN.

\*\* SELECT AS REQUIRED.

**FIGURE 5**

**SPRING ASSIST HINGE ASSEMBLY**



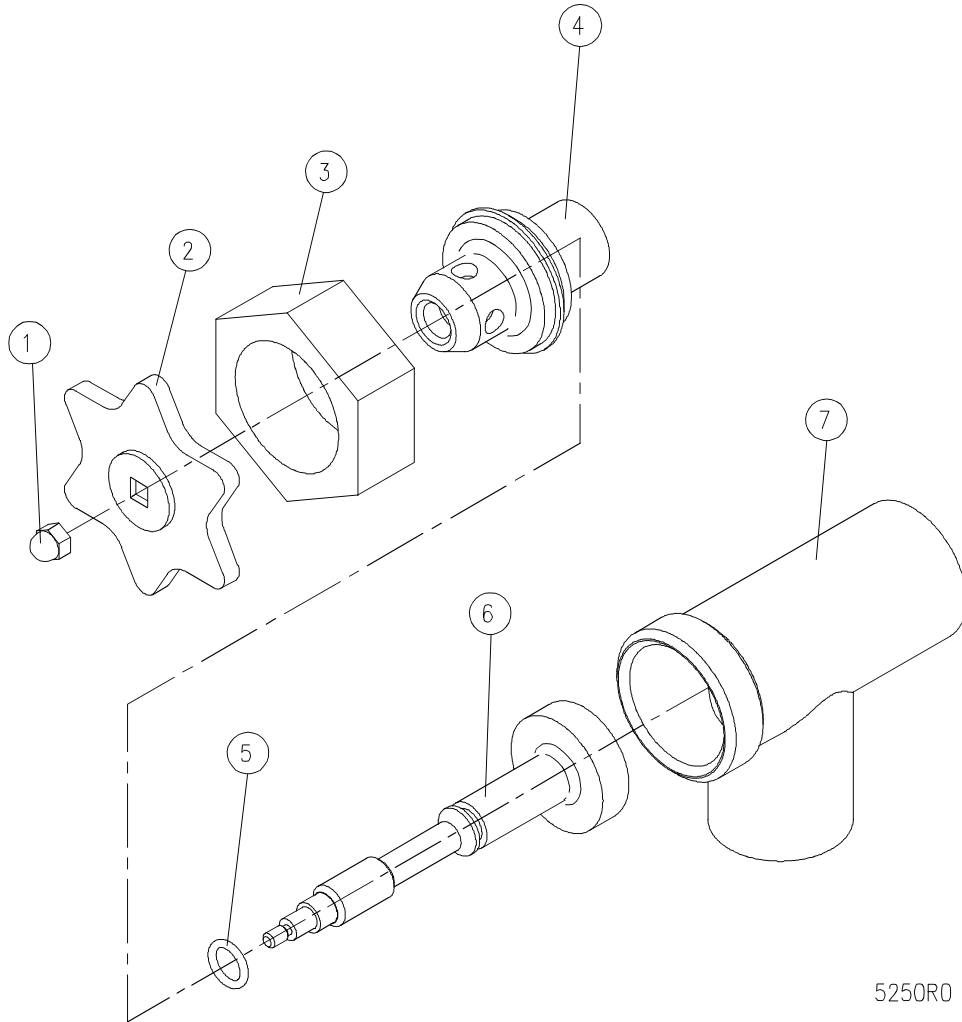
**FIGURE 5****SPRING ASSIST HINGE ASSEMBLY**

<b><u>ITEM</u></b>	<b><u>PART NO.</u></b>	<b><u>DESCRIPTION</u></b>	<b><u>QUANTITY</u></b>
	9-3185	HINGE ASSEMBLY	
1.	8-2029	Lock Pin	1
2.	8-2035L	End Lock Plate	1
3.	5428-1	Stationary Disc	1
4.	5430-1	Core	1
5.	8-2026	Spring	1
** 6.	8-2028-3	Handle Assembly (20 Gallon)	1
	8-2028-4	Handle Assembly (30, 40 Gallon)	1
	8-2027-3	Handle Assembly (60 Gallon)	1
7.	5429-1	Rotary Disc	1
8.	8-2021	End Stop Plate	1
9.	1-56S6	Cap Screws, 1/4-20 X 3/4	4
10.	2-KB01	Knob	1
** 11.	4261-1	Hinge Support Riser (20, 30, 40 Gallon)	1
	4261-2	Hinge Support Riser (60 Gallon)	1
** 12.	116-6374	Cover, 20 Gallon Kettle	1
	8-2005	Cover, 30, 40 Gallon Kettle	1
	8-2006	Cover, 60 Gallon Kettle	1

\*\* SELECT AS REQUIRED.

**FIGURE 7**

**DRAW-OFF VALVE**



5250R0

PARTS LIST, GAS TILTING KETTLES, MODELS ACGLT-20, ACGLT-30, ACGLT-40, ACGLT-60

**FIGURE 7**

<b><u>ITEM</u></b>	<b><u>PART NO.</u></b>	<b><u>DESCRIPTION</u></b>	<b><u>QUANTITY</u></b>
	3-D015	1 -1/2" DRAW-OFF VALVE ASSEMBLY	
1.	9031-3	Acorn Nut 10-24 UNC	1
2.	4115-1	Handle, Stainless Steel	1
3.	3-DV14	Bonnet	1
4.	3-DV13	Gland Nut	1
5.	3-DV16	"O" Ring	1
6.	3-DV15RV	Stem Assembly	1
7.	3-DV17	Valve Body	1

<b><u>ITEM</u></b>	<b><u>PART NO.</u></b>	<b><u>DESCRIPTION</u></b>	<b><u>QUANTITY</u></b>
	3-D020	2" DRAW-OFF VALVE ASSEMBLY	
1.	9031-3	Acorn Nut 10-24 UNC	1
2.	4115-1	Handle, Stainless Steel	1
3.	3-DV24	Bonnet	1
4.	3-DV23	Gland Nut	1
5.	3-DV26	"O" Ring	1
6.	3-DV25RV	Stem Assembly	1
7.	3-DV27	Valve Body	1

PARTS LIST, GAS TILTING KETTLES, MODELS ACGLT-20, ACGLT-30, ACGLT-40, ACGLT-60

**FIGURE 7**

<b><u>ITEM</u></b>	<b><u>PART NO.</u></b>	<b><u>DESCRIPTION</u></b>	<b><u>QUANTITY</u></b>
	3-D030	3" DRAW-OFF VALVE ASSEMBLY	
1.	3-DV31	Acorn Nut, 7/16 - 14 UNC	1
2.	3-DV32	Handle, Stainless Steel	1
3.	3-DV34	Bonnet	1
4.	3-DV33	Gland Nut	1
5.	3-DV36	"O" Ring	1
6.	3-DV35RV	Stem Assembly	1
7.	3-DV37	Valve Body	1